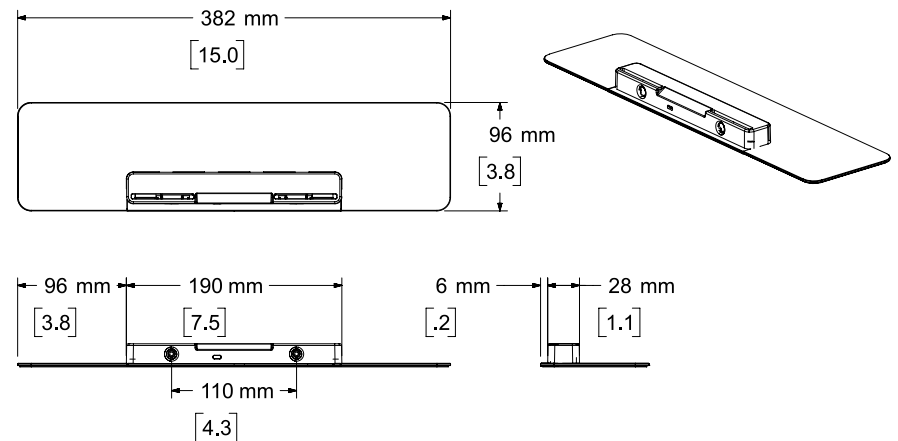
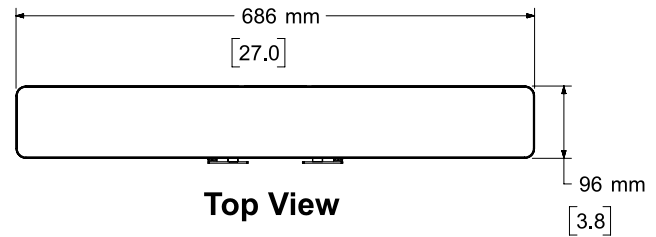


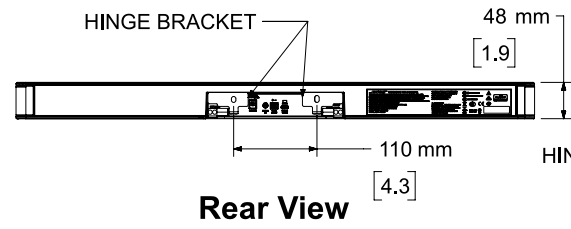
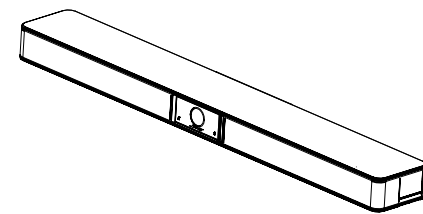
**Wall Mounting Bracket**



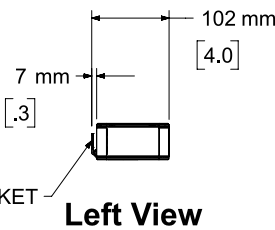
**Credenza Mounting Bracket**



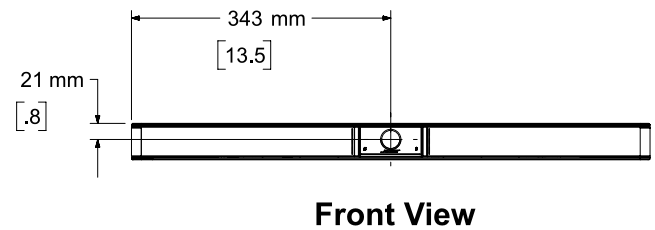
**Top View**



**Rear View**



**Left View**



**Front View**

**DIMENSIONS APPLY TO BOTH SIDES**



**Rear View  
HINGE BRACKET REMOVED FOR CLARITY**

- NOTES:**
1. DIMENSIONS ARE IN MILLIMETERS OVER INCHES
  2. WEIGHT APPROX 2.5kg [5.5lbs] (VIDEOBAR ONLY)  
WEIGHT W/WALL BRACKET 2.5kg [5.6lbs]  
WEIGHT W/CREDEZA BRACKET 3.2kg [7.0lbs]

	<p>THIRD ANGLE PROJECTION</p>	<p>NOTICE</p> <p>© 2018 BOSE CORPORATION. THIS DRAWING MAY NOT BE COPIED, REPRODUCED, OR USED AS THE BASIS FOR MANUFACTURE OR SALE OF APPARATUS WITHOUT THE PRIOR WRITTEN AUTHORIZATION OF BOSE CORPORATION.</p>			
	<p>UNLESS OTHERWISE SPECIFIED INTERPRET THIS DRAWING PER ASME Y14.5M-1997</p>	<p>DO NOT SCALE DRAWING</p>	<p>CAGE CODE <b>32108</b></p>	<p>DOCUMENT NUMBER <b>RF838664-MKTCADS</b></p>	<p>VERSION <b>00.12</b></p>