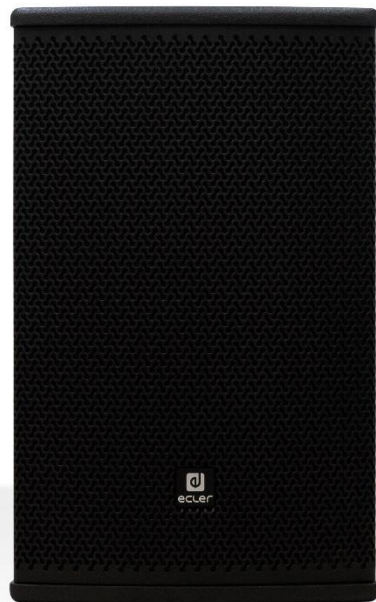


ARQISi Series

CABINET LOUDSPEAKERS
Architectural Loudspeaker Cabinets



USER MANUAL

INDEX

1.	IMPORTANT SAFETY INSTRUCTIONS	3
2.	IMPORTANT NOTE.....	4
3.	INTRODUCTION	5
4.	MODELS	6
	5.1. ARQIS105i.....	6
	5.2. ARQIS106i.....	6
	5.3. ARQIS108i.....	6
	5.4. ARQIS205i.....	7
	5.5. ARQIS208i.....	7
	5.6. ARQIS110i.....	8
	5.7. ARQIS112i.....	8
	5.8. ARQISSB6Ti.....	8
	5.9. ARQISSB10i	9
	5.10. ARQISSB12i.....	9
	5.11. ARQISSB15i.....	9
5.	CONNECTIONS.....	10
	6.1 ARQISSB6Ti.....	10
6.	EQ SETTINGS.....	11
7.	RECOMMENDED AMPLIFIER	11
8.	POSITIONING.....	11
9.	INSTALLATION.....	12
10.	TECHNICAL SPECIFICATIONS	13
11.	INSTALLATION DIAGRAMS	18
12.	CONTENTS OF THE PACKAGING	21
	12.1. ARQIS105i.....	21
	12.2. ARQIS106i.....	21
	12.3. ARQIS108i.....	21
	12.4. ARQIS205i.....	22
	12.5 ARQIS208i.....	22
	12.6. ARQIS110i.....	22
	12.7. ARQIS112i.....	22
	12.8. ARQISSB6Ti.....	23
	12.9. ARQISSB10i.....	23
	12.10. ARQISSB12i.....	23
	12.11. ARQISSB15i.....	23

IMPORTANT REMARK



WARNING: SHOCK HAZARD - DO NOT OPEN


AVIS: RISQUE DE CHOC ÉLECTRIQUE - NE PAS OUVRIR



The lightning flash with arrowhead symbol, within an equilateral triangle, is intended to alert the user to the presence of uninsulated “dangerous voltage” within the product’s enclosure that may be of sufficient magnitude to constitute a risk of electric shock to persons.



The exclamation point within an equilateral triangle is intended to alert the user to the presence of important operating and maintenance (servicing) instructions in the literature accompanying the appliance.

WARNING (If applicable): The terminals marked with symbol of “” may be of sufficient magnitude to constitute a risk of electric shock. The external wiring connected to the terminals requires installation by an instructed person or the use of ready-made leads or cords.

WARNING: To prevent fire or shock hazard, do not expose this equipment to rain or moisture.

WARNING: An apparatus with Class I construction shall be connected to a mains socket-outlet with a protective earthing connection.

1. IMPORTANT SAFETY INSTRUCTIONS

1. Read these instructions.
2. Keep these instructions.
3. Heed all warnings.
4. Follow all instructions.
5. Do not use this apparatus near water.
6. Clean only with dry cloth.
7. Do not block any ventilation openings. Install in accordance with the manufacturer’s instructions.
8. Do not install near any heat sources such as radiators, heat registers, stoves, or other apparatus (including amplifiers) that produce heat.
9. Do not defeat the safety purpose of the polarized or grounding type plug. A polarized plug has two blades with one wider than the other. A grounding type plug has two blades and a third grounding prong. The wide blade or the third prong are provided for your safety. If the provided plug does not fit into your outlet, consult an electrician for replacement of the obsolete outlet.
10. Protect the power cord from being walked on or pinched particularly at the plugs, convenience receptacles, and at the point where they exit from the apparatus.
11. Only use attachments/accessories specified by the manufacturer.
12. Unplug the apparatus during lightening sorts or when unused for long periods of time.

13. Refer all servicing to qualified personnel. Servicing is required when the apparatus has been damaged in any way, such as power supply cord or plug is damaged, liquid has been spilled or objects have fallen into the apparatus, the apparatus has been exposed to rain or moisture, does not operate normally, or has been dropped.
14. Disconnecting from mains: When switching off the POWER switch, all the functions and light indicators of the unit will be stopped, but fully disconnecting the device from mains is done by unplugging the power cable from the mains input socket. For this reason, it always shall remain easily accessible.
15. Equipment is connected to a socket-outlet with earthing connection by means of a power cord.
16. The marking information is located at the bottom of the unit.
17. The apparatus shall not be exposed to dripping or splashing and that no objects filled with liquids, such as vases, shall be placed on apparatus.

NOTE: *This equipment has been tested and found to comply with the limits for a Class A digital device, pursuant to part 15 of the FCC Rules. These limits are designed to provide reasonable protection against harmful interference when the equipment is operated in a commercial environment. This equipment generates, uses, and can radiate radio frequency energy and, if not installed and used in accordance with the instruction manual, may cause harmful interference to radio communications. Operation of this equipment in a residential area is likely to cause harmful interference in which case the user will be required to correct the interference at his own expense.*



WARNING: This product must not be discarded, under any circumstance, as unsorted urban waste. Take to the nearest electrical and electronic waste treatment centre.

NEEC AUDIO BARCELONA, S.L. accepts no liability for any damage that may be caused to people, animal or objects due to failure to comply with the warnings above.

2. IMPORTANT NOTE

Thank you for choosing our Ecler ARQISi Cabinet Loudspeakers!

It is **VERY IMPORTANT** to carefully read this manual and to fully understand its contents before any connection in order to maximize your use and get the best performance from this equipment.

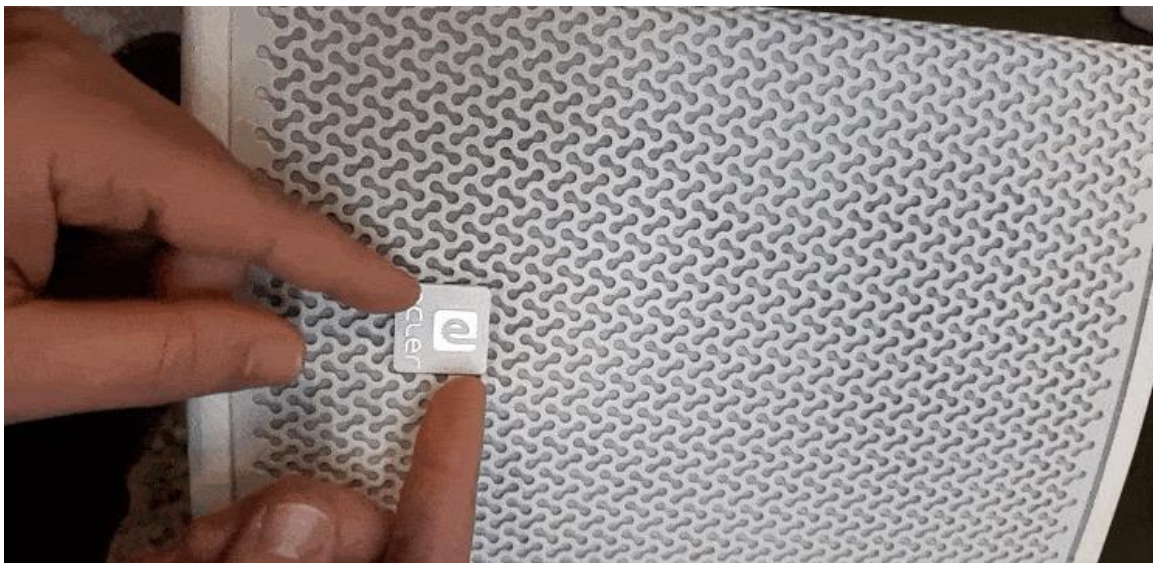
To ensure optimal operation of this device, we strongly recommend that its maintenance be carried out by our authorised Technical Services.

Ecler ARQISi comes with a 3-year warranty.

3. INTRODUCTION

Based on studying installers and interior design and system integration professionals as well as on a permanent contact with them, the ARQISi line of speakers is designed for fixed installation, especially in environments in need of a compact speaker offering high output, easy installation, long-term reliability and excellent sound quality.

Evolution of the acclaimed ARQIS series, the ARQISi loudspeakers are fine-tuned to balance the sound across the entire range, improve frequency response, increase power (ARQIS110i, ARQIS112i), and add a new subwoofer model (ARQISSB12i). The 105, 106 and 108 models include a new wall bracket VEASY, VESA mounting standard compatible, easy to install and with vertical and horizontal adjustment. The entire range incorporates a square logo that can be rotated at 90° angles without the need for tools.



The ARQISi series is ideal for shopping centres, sports centres, theatres/auditoriums, conference rooms, audio-visual presentations, corporate rooms, perimeter reinforcement in clubs, cafés, restaurants and theme parks among other solutions.

4. MODELS

5.1. ARQIS105i

- Full range, 2-way architectural loudspeaker
- 70 WRMS @ 8 Ω
- 5,25" woofer
- 1" tweeter
- Double INPUT/STACK connector, Euroblock type, with security attachment screws to avoid accidental disconnection
- VEASY Wall bracket included, allowing for pan & tilt adjustment, employing a single screw for fastening. Robust, quick and easy to install, including jumps and markings for repeating speaker orientation.
- Available in black (RAL9005) or white (RAL9003) finish

5.2. ARQIS106i

- Full range, 2-way architectural loudspeaker
- 120 WRMS @ 8 Ω
- 6,5" woofer
- 1" compression driver (rotatable)
- Double INPUT/STACK connector, Euroblock type, with security attachment screws to avoid accidental disconnection
- VEASY Wall bracket included, allowing for pan & tilt adjustment, employing a single screw for fastening. Robust, quick and easy to install, including jumps and markings for repeating speaker orientation.
- Metal safety sling included, to avoid drops in case of accidental detachment from the wall surface
- Available in black (RAL9005) or white (RAL9003) finish

5.3. ARQIS108i

- Full range, 2-way architectural loudspeaker
- 150 WRMS @ 8 Ω
- 8" woofer
- 1" compression driver (rotatable)
- Double INPUT/STACK connector, Euroblock + Speakon[®] type, with security attachment screws to avoid accidental disconnection
- VEASY Wall bracket included, allowing for pan & tilt adjustment, employing a single screw for fastening. Robust, quick and easy to install, including jumps and markings for repeating speaker orientation.
- U-bracket wall-mount accessory compatible, ARQ108UB (not included)
- Metal safety sling included, to avoid drops in case of accidental detachment from the wall surface
- Available in black (RAL9005) or white (RAL9003) finish

5.4. ARQIS205i

- Full range, 2-way architectural loudspeaker
- 140 WRMS @ 8 Ω
- 2 x 5,25" woofer
- 1" compression driver (rotatable)
- Double INPUT/STACK connector, Euroblock + Speakon[®] type, with security attachment screws to avoid accidental disconnection
- U-bracket wall-mount included, allowing for tilt adjustment
- 4x M6 & 12 x M8 cabinet flying points
- Metal safety sling included, to avoid drops in case of accidental detachment from the wall surface
- Available in black (RAL9005) or white (RAL9003) finish

5.5. ARQIS208i

- Full range, 2-way architectural loudspeaker
- 300 WRMS @ 8 Ω
- 2 x 8" woofer
- 1" compression driver (rotatable)
- Double INPUT/STACK connector, Euroblock + Speakon[®] type, with security attachment screws to avoid accidental disconnection
- U-bracket wall-mount included, allowing for tilt adjustment
- 4x M6 & 12 x M8 cabinet flying points
- Metal safety sling included, to avoid drops in case of accidental detachment from the wall surface
- Available in black (RAL9005) or white (RAL9003) finish

5.6. ARQIS110i

- Full range, 2-way architectural loudspeaker
- 300 WRMS @ 8 Ω
- 10" woofer
- 1" compression driver (rotatable)
- Double INPUT/STACK connector, Euroblock + Speakon[®] type, with security attachment screws to avoid accidental disconnection
- 35 mm mount socket, compatible with SR12 wall bracket (not included) & TRIPO1 floor stand (not included)
- U-bracket wall-mount accessory compatible, ARQ110UB (not included)
- 12 x M8 cabinet flying points.
- Available in black (RAL9005) or white (RAL9003) finish

5.7. ARQIS112i

- Full range, 2-way architectural loudspeaker
- 500 WRMS @ 8 Ω
- 1 x 12" woofer
- 1" compression driver (rotatable)
- Double INPUT/STACK connector, Euroblock + Speakon[®] type, with security attachment screws to avoid accidental disconnection
- 35 mm mount socket, compatible with SR12 wall bracket (not included) & TRIPO1 floor stand (not included)
- U-bracket wall-mount accessory compatible, ARQ112UB (not included)
- 12 x M8 cabinet flying points.
- Available in black (RAL9005) or white (RAL9003) finish

5.8. ARQISSB6Ti

- 6,5" subwoofer + 6,5" pasive radiator
- Ready for 70/100V installations: power selector 60/120W & 8 ohm
- Euroblock connector and spring loaded input terminals
- LPF cut-off frequency selection: OFF/ 120Hz / 150Hz
- Wall-mount hardware included
- Available in black (RAL9005) or white (RAL9003) finish

5.9. ARQISSB10i

- 1-way surface-mount subwoofer
- 150 WRMS @ 8 ohm
- 10" woofer
- Euroblock connector and spring loaded input terminals
- LPF cut-off frequency selection: OFF/ 120Hz / 150Hz
- Wall-mount hardware included
- 12 x M8 cabinet flying points
- Available in black (RAL9005) or white (RAL9003) finish

5.10. ARQISSB12i

- 1-way surface-mount subwoofer
- 300 WRMS @ 8 ohm
- 10" woofer
- Euroblock connector and spring loaded input terminals
- LPF cut-off frequency selection: OFF/ 120Hz / 150Hz
- Wall-mount hardware included
- 12 x M8 cabinet flying points
- Available in black (RAL9005) or white (RAL9003) finish

5.11. ARQISSB15i

- 1-way architectural subwoofer
- 600 WRMS @ 8 Ω
- 15" woofer
- Double INPUT/STACK connector, Speakon© type
- 35 mm top-hat mount socket, for pole mount combinations with ARQIS10, ARQIS12, etc.
- 12 x M8 cabinet flying points.
- Available in black (RAL9005) finish

5. CONNECTIONS

The connection cables which connect the amplifiers output and the speaker should be of good quality, have sufficient conductor area and be as short as possible. The latter fact is especially important when the distance is long and the load impedance low (4-8 Ω). A cross-section of at least 2.5mm² is recommended for distances up to 10m; 4 or 6mm² for longer distances. Following formula gives the required section, assuming 4% losses:

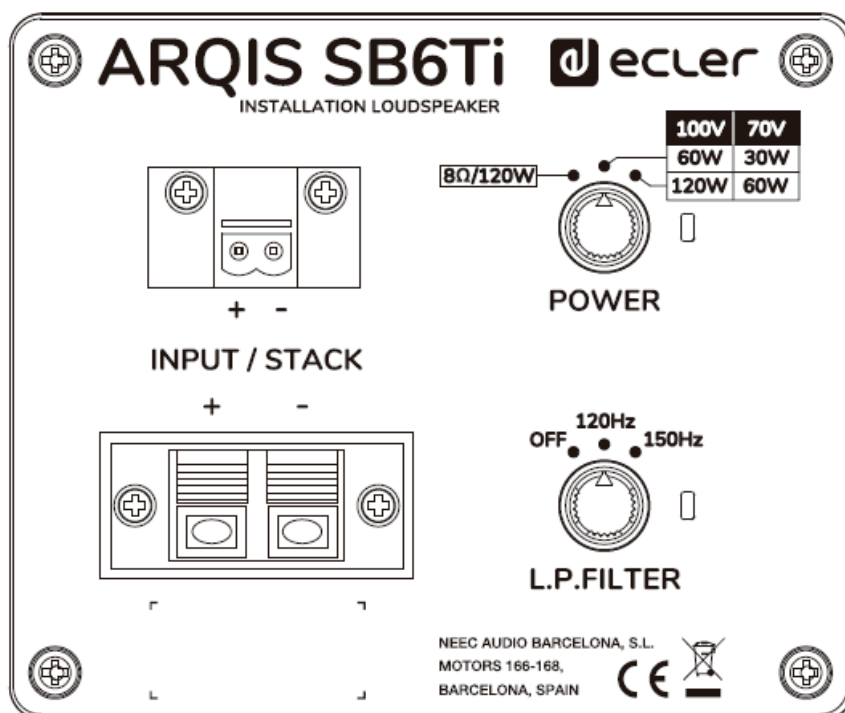
$$\text{Cross section in mm}^2 = \frac{\text{Length in m}}{\text{Loudspeaker impedance in } \Omega}$$

Always respect the polarity. All models have an Euroblock connector, and a second connector (Euroblock or Speakon®, depending on model), thereby facilitating the parallel connection of speakers.

6.1 ARQISSB6Ti

ARQISSB6Ti supports high or low impedance operation. In this matter, it has a 3-position switch on its rear panel that allows to select its working mode.

The 8 Ω /120W position corresponds to low impedance operation at a maximum power of 120W. The 2 positions of the power selector switch for 70/100V line will allow you to set the maximum power at which each unit will work (60/120W @ 100V | 30/60W @ 70V).



Note: The loudspeaker distribution along a 70/100V line historically arises from the technical requirement to mix loudspeakers of different impedances and/or powers on the same amplification line or channel, but without any need to worry about the total

impedance of the full assembly. Moreover, this solution enables long cable runs with significantly smaller sections than those usually employed in low-impedance installations, but with minimum power losses.

WARNING! If the system is accidentally connected with the switch in the 100 V/60 W position to a low-impedance amplifier, no damage will be caused to the loudspeaker, but its performance will be well below its specifications. If the loudspeaker is accidentally connected to a 70 V/100 V network, in the 8 Ω position, it will be seriously damaged.

6. EQ SETTINGS

Download the [Ecler ARQISi EQ Settings](#) file for ARQIS105i, ARQIS106i, ARQIS108i, ARQIS110i, ARQIS112i, ARQIS205i and ARQIS208i, ready to import in EclerNet Manager software.

7. RECOMMENDED AMPLIFIER

Following table shows the output power of the amplifier adequate to each acoustic system:

- ARQIS105i: 140W RMS
- ARQIS106i: 240W RMS
- ARQIS108i: 300W RMS
- ARQIS205i: 280W RMS
- ARQIS208i: 600W RMS
- ARQIS110i: 600W RMS
- ARQIS112i: 1000W RMS
- ARQISSB6Ti: 240WRMS @ 8 Ω
- ARQISSB10i: 300W RMS
- ARQISSB12i: 600W RMS
- ARQISSB15i: 1200W RMS

8. POSITIONING

Consider following general rules:

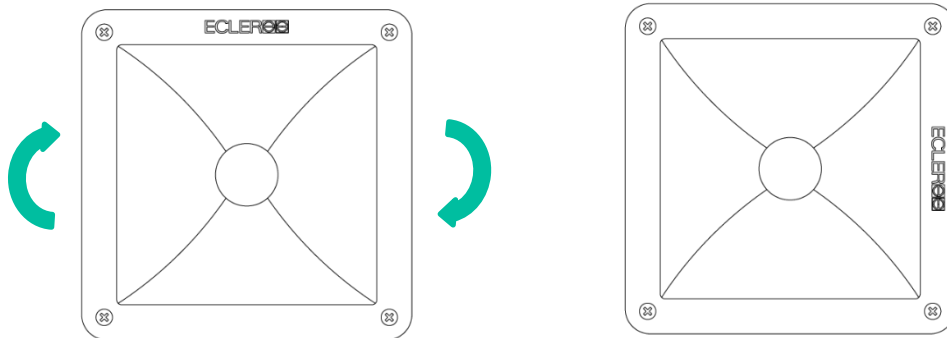
Place the speakers on a solid and firm surface. Subwoofers placed directly and horizontally on the ground have a higher output than hanged or directly on the floor, but vertically. No obstacles should stand between the enclosures and the audience. The high frequencies are very directive compared to the low frequencies, so that any obstacle will impair their response. In case large audiences must be addressed, a better long distance sound propagation will be achieved if the enclosures are flown high enough.

Download all EASE files by clicking on the image:



9. INSTALLATION

In the ARQISi series, the best way to install the enclosure was studied for each model. Each model from the ARQIS range is supplied with the optimal installation system. The models ARQIS106i, ARQIS108i, ARQIS205i, ARQIS208i, ARQIS110i, ARQIS112i can be installed both horizontally and vertically thanks to the included accessories and the 1" rotatable compression driver.



ARQIS205 / ARQIS208 / ARQIS110 / ARQIS 112 / ARQISSB10 / ARQISSB15 also have built-in M8 rigging points for suspension from a compatible structure or "truss" using steel cables.

IMPORTANT NOTE: The equipment must in no case be suspended using its carrying handles (if any); use the appropriate accessories for each application. Whenever a ceiling/wall mounting bracket is used, it is mandatory to add a redundant safety system. Use wire ropes, slings or chains of the appropriate diameter to prevent the fall of the speaker in case the main mounting system is pulled out.

10. TECHNICAL SPECIFICATIONS

	ARQIS105i	ARQIS106i	ARQIS108i
Effective Freq. Range ¹	80 Hz - 20 kHz	75 Hz - 20 kHz	65 Hz - 20 kHz
Coverage angle ²	150°x130° (HxV)	140°x160° (HxV)	130°x130° (HxV)
Power handling	70W RMS / 280W Peak	120W RMS / 480W Peak	150W RMS / 600W Peak
Sensitivity ³	89dB (1W/1m)	88dB (1W/1m)	90dB (1W/1m)
Maximum SPL ⁴	107dB continuous / 113dB peak	109dB continuous / 115dB peak	112dB continuous / 118dB peak
Recommended amplifier	140W RMS	240W RMS	300W RMS
Ways	2-Way	2-Way	2-Way
Low frequency driver	5,25" woofer	6" woofer	8" woofer
High frequency driver	1" tweeter	1" Compression driver (rotatable)	1" Compression driver (rotatable)
Nominal impedance	8Ω	8Ω	8Ω
Crossover filter	3.2kHz	3.2kHz	3.5kHz
Recommended High-Pass protection filter	80 Hz with minimum 12 dB / octave filter	70 Hz with minimum 12 dB / octave filter	70 Hz with minimum 12 dB / octave filter
Connection type	2 x Euroblock	2 x Euroblock	1 x Euroblock & 1x SPEAKON
Installation options	surface, WALL,desktop	surface, WALL,desktop	surface, WALL,desktop
Environmental	IP31	IP31	IP31
Enclosure material	MDF	MDF	MDF
Grille material	Steel	Steel	Steel
Grille fixing system	screw fixation	screw fixation	screw fixation
Flying points	4 x M6	8 x M6	6 x M6 & 2 x M8
Operating temperature	Min: -10°C ; 14°F Max: 40°C ; 104°F	Min: -10°C ; 14°F Max: 40°C ; 104°F	Min: -10°C ; 14°F Max: 40°C ; 104°F
Operating humidity	<85% HR	<85% HR	<85% HR
Storage temperature	Min: -10°C ; 14°F Max: 40°C ; 104°F	Min: -10°C ; 14°F Max: 40°C ; 104°F	Min: -10°C ; 14°F Max: 40°C ; 104°F
Storage humidity	<90% HR	<90% HR	<90% HR
Included accessories	Wall Bracket/3mm , 4mm, 6mm Allen keys	Wall Bracket/3mm , 4mm, 6mm Allen keys	Wall Bracket/3mm , 4mm, 6mm Allen keys
Finished colour	White (RAL 9003) or black (RAL 9005)	White (RAL 9003) or black (RAL 9005)	White (RAL 9003) or black (RAL 9005)
Dimensions	186 x 280 x 210 mm / 7,32 x 11,02 x 8,26 in	217 x 350 x 240 mm / 8,50 x 13,77 x 9,44 in	244 x 280 x 390 mm / 9,60 x 11,02 x 15,35 in
Weight	3.6 kgs / 7.93 lb	7.4 Kg / 16.31 lb	8.4 Kg / 18.51 lb
Pieces per box	1 piece	1 piece	1 piece
Shipping dimensions	365 x 260 x 335 mm / 14,37 x 10,23 x 13,18 in	395 x 290 x 405 mm / 15,55 x 11,41 x 15,94 in	435 x 320 x 445 mm / 17,12 x 12,59 x 17,51 in
Shipping weight	5.5 kg / 12.12 lb	8.7 Kg / 19.18 lb	10.5 Kg / 23.14 lb

¹10dB below the sound pressure level at specified sensitivity

²6dB below the sound pressure level than that at the direction of maximum level, Max. angle between 1 kHz and 4 kHz.

³Measured on-axis, far field and referenced to 1 meter by inverse square law. Average from 100 Hz to 10 kHz.

⁴Calculated from sensitivity and power handling specifications, exclusive of power compression

	ARQIS205i	ARQIS208i
Effective Freq. Range ¹	78Hz-20kHz	73Hz-20kHz
Coverage angle ²	150° x 40° (HxV)	130° x 30° (HxV)
Power handling	140W RMS / 560W peak	300W RMS / 1200W peak
Sensitivity ³	90dB (1W/1m)	94dB (1W/1m)
Maximum SPL ⁴	111dB continuous / 117dB peak	119dB RMS / 125dB peak
Recommended amplifier	280W	600W RMS
Ways	2-way, full range	2-way, full range
Low frequency driver	2x 5" woofer	2x 8" woofer
High frequency driver	1" Compression driver (rotatable)	1" Compression driver (rotatable)
Nominal impedance	8Ω	8Ω
Crossover filter	2.3kHz	2,6 kHz
Recommended High-Pass protection filter	80 Hz with minimum 12 dB / octave filter	70 Hz with minimum 12 dB / octave filter
Connection type	1 x Euroblock & 1x SPEAKON	1 x Euroblock & 1x SPEAKON®
Installation options	Surface, wall, desktop	Surface, wall, desktop
Environmental	IP31	IP31
Enclosure material	MDF	MDF
Grille material	Steel	Steel
Grille fixing system	Screw fixation	Screw fixation
Flying points	4x M6 & 12 x M8	4x M6 & 12 x M8
Operating temperature	Min: -10°C ; 14°F Max: 40°C ; 104°F	Min: -10°C ; 14°F Max: 40°C ; 104°F
Operating humidity	<85% HR	<85% HR
Storage temperature	Min: -10°C ; 14°F Max: 40°C ; 104°F	Min: -10°C ; 14°F Max: 40°C ; 104°F
Storage humidity	<90% HR	<90% HR
Included accessories	U Bracket / 5mm Allen key / 6mm Allen key	U Bracket / 5mm Allen key / 6mm Allen key
Finished colour	Black (RAL9005) or White (RAL 9003)	Black (RAL9005) or White (RAL 9003)
Dimensions	480 x 210 x 186 mm / 18.89 x 8.26 x 7.32 in	610 x 244 x 280 mm / 24,01 x 9,60 x 11,02 in
Weight	8,4 kg / 18.52 lb	14,8 kg / 32,62 lb
Pieces per box	1 piece	1 piece
Shipping dimensions	540 x 300 x 265 mm / 21,25 x 11,81 x 10,43 in	670 x 370 x 325 mm / 26,37 x 14,56 x 12,79 in
Shipping weight	9,5 kg / 20.94 lb	16.4 kg / 36.15 lb

¹10dB below the sound pressure level at specified sensitivity

²6dB below the sound pressure level than that at the direction of maximum level, Max. angle between 1 kHz and 4 kHz.

³Measured on-axis, far field and referenced to 1 meter by inverse square law. Average from 100 Hz to 10 kHz.

⁴Calculated from sensitivity and power handling specifications, exclusive of power compression

	ARQIS110i	ARQIS112i
Effective Freq. Range ¹	70 Hz - 19 kHz (-10dB)	70 Hz - 19 kHz (-10dB)
Coverage angle ²	110°x110° (HxV)	120°x110° (HxV)
Power handling	300W RMS / 120W Peak	500W RMS / 2000W Peak
Sensitivity ³	94dB (1W/1m)	96dB (1W/1m)
Maximum SPL ⁴	119dB continuous / 125dB peak	123dB continuous / 129dB peak
Recommended amplifier	600W	1000W
Ways	2-way, full range	2-way
Low frequency driver	10" woofer	12" woofer
High frequency driver	1.7" Compression driver (rotatable)	1.7" Compression driver (rotatable)
Nominal impedance	8Ω	8Ω
Crossover filter	2.1 kHz	2.2 kHz
Recommended High-Pass protection filter	60Hz with minimum 12 dB / octave filter	58Hz with minimum 12 dB / octave filter
Connection type	1 x Euroblock & 1x SPEAKON	1 x Euroblock & 1x SPEAKON
Installation options	surface, wall, desktop, 35mm mount socket	surface, wall, desktop, 35mm mount socket
Environmental	IP31	IP31
Enclosure material	MDF	MDF
Grille material	Steel	Steel
Grille fixing system	screw fixation	screw fixation
Flying points	12 x M8	12 x M8
Operating temperature	Min: -10°C ; 14°F Max: 40°C ; 104°F	Min: -10°C ; 14°F Max: 40°C ; 104°F
Operating humidity	<85% HR	<85% HR
Storage temperature	Min: -10°C ; 14°F Max: 40°C ; 104°F	Min: -10°C ; 14°F Max: 40°C ; 104°F
Storage humidity	<90% HR	<90% HR
Included accessories	4x Rubber feet, 4x screws	4x Rubber feet, 4x screws
Finished colour	Black (RAL9005) or White (RAL 9003)	Black (RAL9005) or White (RAL 9003)
Dimensions	359,6 x 495 x 362,2 mm / 14.15 x 19.48 x 14.25 in	403 x 565 x 380 mm / 15.86 x 22.24 x 14.96 in
Weight	14,8 kg / 32.63 lb	20,0 kg / 44.09 lb
Pieces per box	1 piece	1 piece
Shipping dimensions	460 x 580 x 460 mm / 18,11 x 22,83 x 18,11 in	470 x 650 x 470 mm / 18.50 x 25,59 x 18,50 in
Shipping weight	21 kg / 46,29 lb	26,2 kg / 57,76 lb

¹10dB below the sound pressure level at specified sensitivity

²6dB below the sound pressure level than that at the direction of maximum level, Max. angle between 1 kHz and 4 kHz.

³Measured on-axis, far field and referenced to 1 meter by inverse square law. Average from 20 Hz to 20 kHz.

⁴Calculated from sensitivity and power handling specifications, exclusive of power compression

	ARQISSB6Ti	ARQISSB10i
Effective Freq. Range ¹	50Hz-1,5kHz	54Hz-4kHz
Power handling	120W RMS / 480W peak	150W RMS / 600W peak
Sensitivity ³	86dB (1W/1m)	92dB (1W/1m)
Maximum SPL ⁴	107dB RMS / 113dB peak	114dB RMS / 120dB peak
Recommended amplifier	250W RMS	300W
Ways	Subwoofer	Subwoofer
Driver	6,5" Subwoofer + 6,5" passive radiator	10" woofer
Nominal impedance	8Ω	8Ω
Low-Pass filter selector	OFF / 120Hz / 150Hz	NO
Recommended High-Pass protection filter	55 Hz with minimum 12 dB / octave filter	60 Hz with minimum 12 dB / octave filter
Connection type	Euroblock + spring loaded input terminals	1 x Euroblock & 1x Terminal
Installation options	Surface, wall, desktop	Surface, wall, desktop
Environmental	IP31	IP31
Enclosure material	MDF	MDF
Grille material	Steel	Steel
Grille fixing system	Screw fixation	Screw fixation
Flying points	2 x M8	2 x M8
Operating temperature	Min: -10°C ; 14°F Max: 40°C ; 104°F	Min: -10°C ; 14°F Max: 40°C ; 104°F
Operating humidity	<85% HR	<85% HR
Storage temperature	Min: -10°C ; 14°F Max: 40°C ; 104°F	Min: -10°C ; 14°F Max: 40°C ; 104°F
Storage humidity	<90% HR	<90% HR
Included accessories	U Bracket / 5mm Allen key / 6mm Allen key	U Bracket / 5mm Allen key / 6mm Allen key
Finished colour	Black (RAL9005) or White (RAL 9003)	Black (RAL9005) or White (RAL 9003)
Dimensions	250 x 390 x 130 mm / 9.84 x 15.35 x 5.11 in	600 x 442 x 228 mm / 23.62"x17.40"x8.97"
Weight	8,2 kg / 50,70 lb	16.5 Kg / 36.37 lbs
Pieces per box	1 piece	1 piece
Shipping dimensions	535 x 535 x 470 mm / 21,06 x 21,06 x 18,50 in	690 x 537 x 355 mm / 27.16 x 21.14 x 13.97
Shipping weight	10.2 Kg / 22.48 lb	18,7 Kg / 41.22 lbs

¹10dB below the sound pressure level at specified sensitivity

³Measured on-axis, far field and referenced to 1 meter by inverse square law. Average from 100 Hz to 1 kHz.

⁴Calculated from sensitivity and power handling specifications, exclusive of power compression

	ARQISSB12i	ARQISSB15i
Effective Freq. Range ¹	44Hz-4kHz	31Hz-3kHz
Power handling	300W RMS / 1200W peak	600W RMS / 2400W peak
Sensitivity ³	95dB (1W/1m)	97dB (1W/1m)
Maximum SPL ⁴	120dB RMS / 126dB peak	125dB RMS / 131dB peak
Recommended amplifier	600W	1200W
Ways	1 way	1 way
Driver	12" woofer	15" woofer
Nominal impedance	8Ω	8Ω
Crossover filter	No	No
Recommended High-Pass protection filter	45 Hz with minimum 12 dB / octave filter	40 Hz with minimum 12 dB / octave filter
Connection type	2x SPEAKON®	2x SPEAKON®
Installation options	Surface, wall, desktop	Surface, wall, desktop
Environmental	IP31	IP31
Enclosure material	Plywooden	Plywooden
Grille material	Steel	Steel
Grille fixing system	Screw fixation	Screw fixation
Flying points	12 x M8	12 x M8
Operating temperature	Min: -10°C ; 14°F Max: 40°C ; 104°F	Min: -10°C ; 14°F Max: 40°C ; 104°F
Operating humidity	<85% HR	<85% HR
Storage temperature	Min: -10°C ; 14°F Max: 40°C ; 104°F	Min: -10°C ; 14°F Max: 40°C ; 104°F
Storage humidity	<90% HR	<90% HR
Included accessories	4x Rubber feet / 4x Screws	4x Rubber feet / 4x Screws
Finished colour	Black (RAL9005)	Black (RAL9005)
Dimensions	445 x 445 x 375 mm / 17.51 x 17.51 x 14.76 in	534 x 525 x 460 mm / 21.02 x 20.67 x 18.11 in
Weight	23 kg / 50,70 lb	32 kg / 70,54 lb
Pieces per box	1 unit	1 unit
Shipping dimensions	535 x 535 x 470 mm / 21,06 x 21,06 x 18,50 in	624 x 615 x 555 mm / 24,56 x 24,21 x 21,85 in
Shipping weight	21.7 kg / 47.84 lb	36.2 kg / 79.8 lb

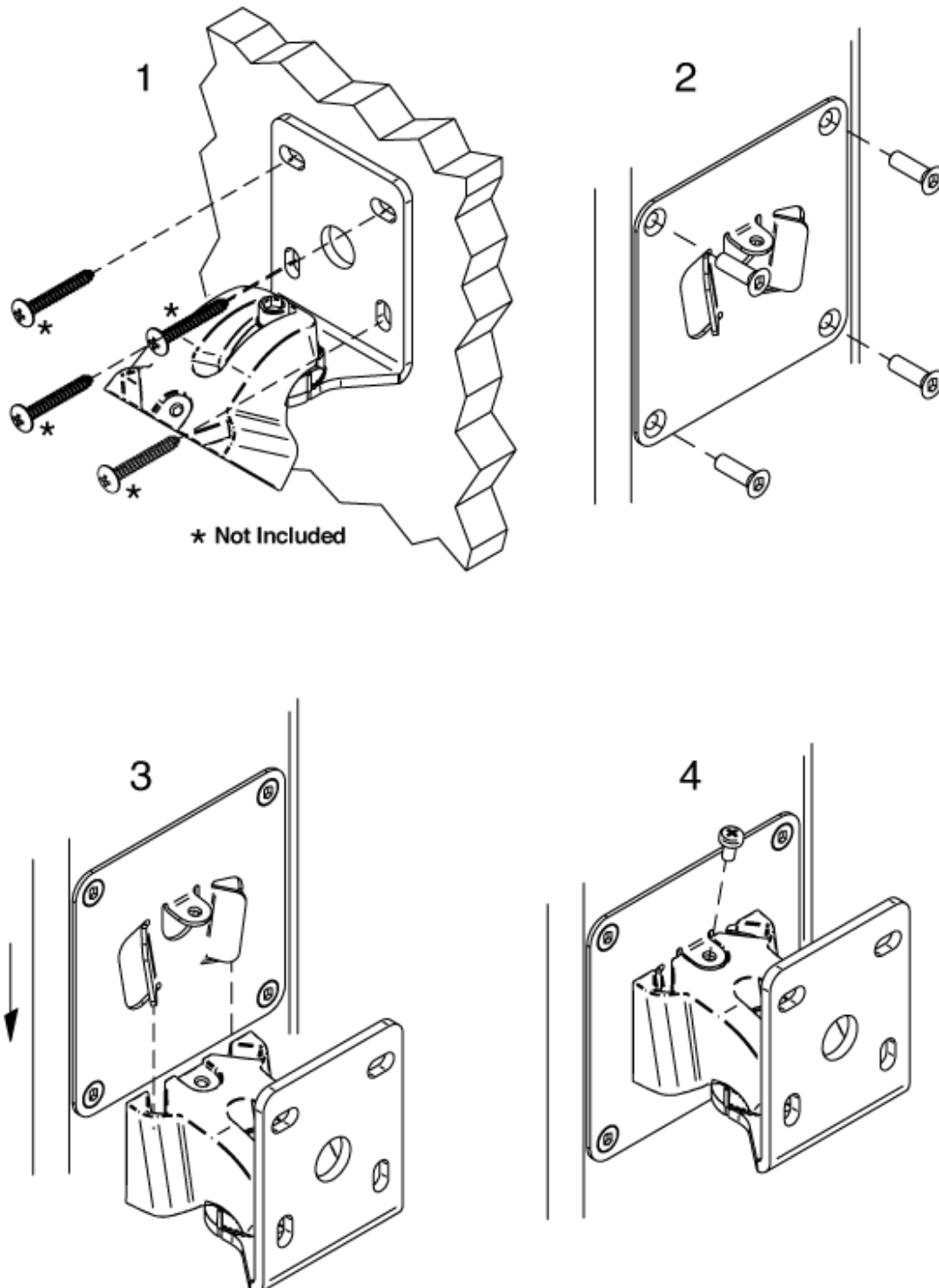
¹10dB below the sound pressure level at specified sensitivity

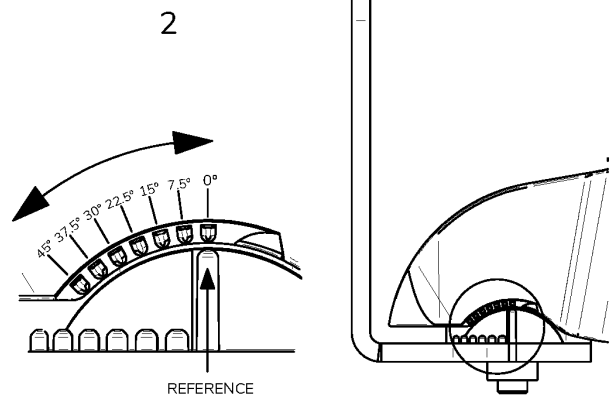
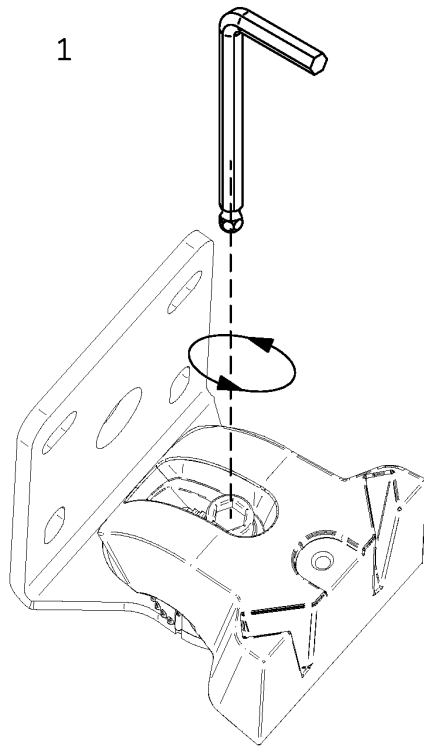
³Measured on-axis, far field and referenced to 1 meter by inverse square law. Average from 100 Hz to 1 kHz.

⁴Calculated from sensitivity and power handling specifications, exclusive of power compression

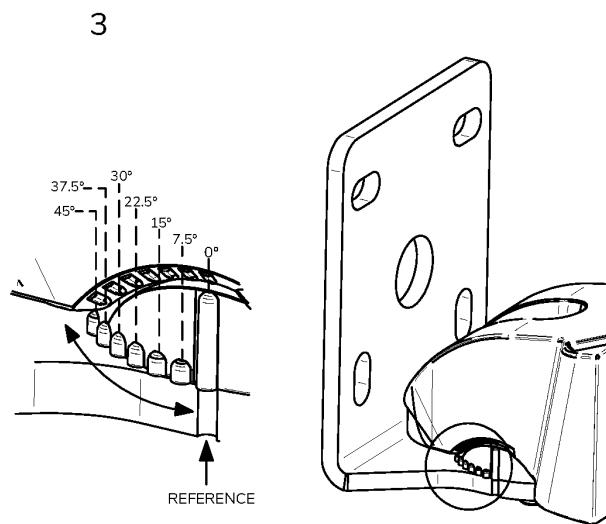
11. INSTALLATION DIAGRAMS

Mounting the VEASY wall bracket (ARQIS105i, ARQIS106I, ARQIS108i)

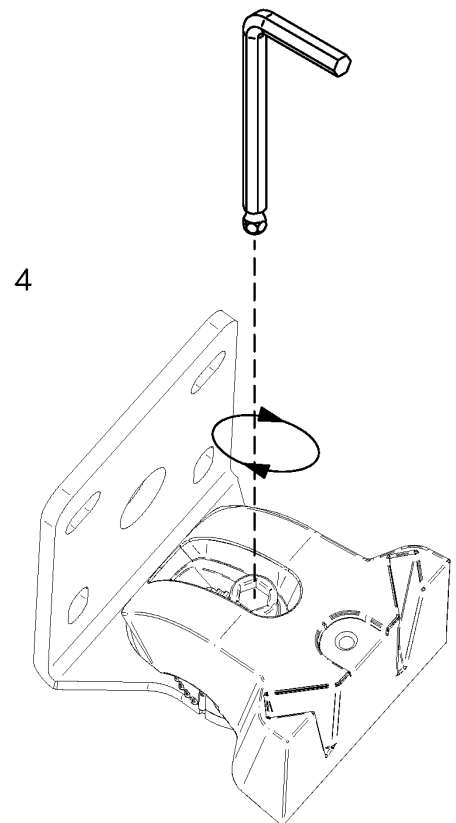




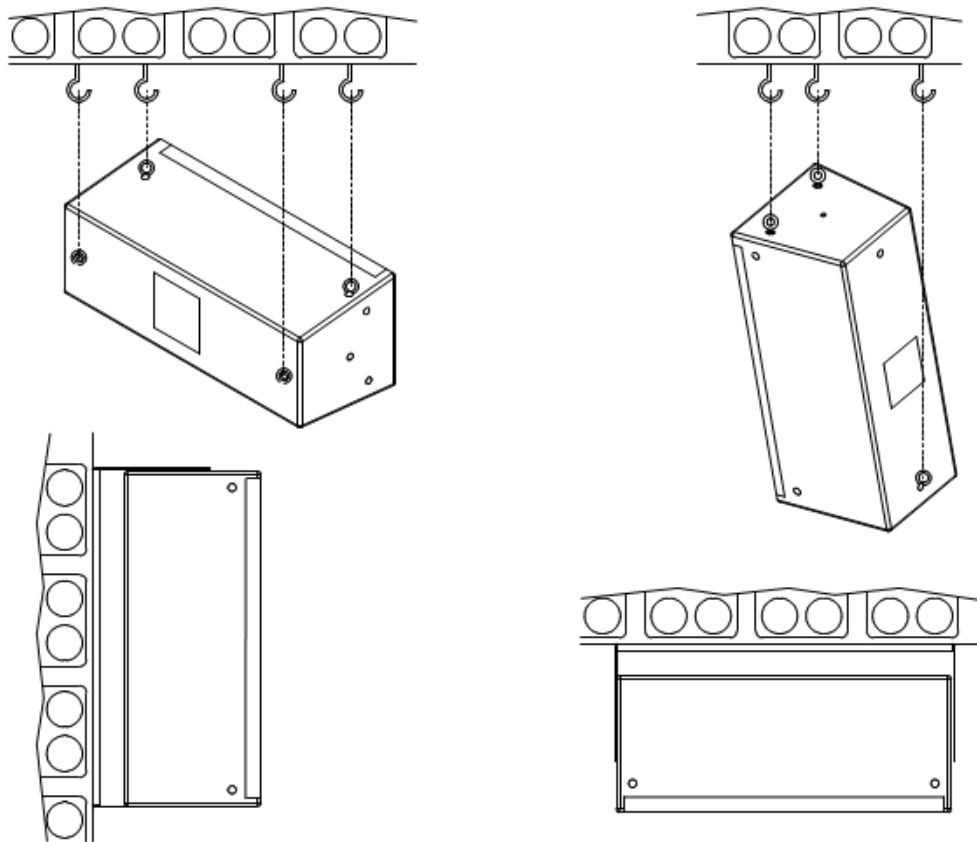
TILT ORIENTATION



PAN ORIENTATION



11.2. ARQIS series installation



Example of horizontal and vertical installation using the included flying points or the U-bracket (included in 205i, 208i and SB6Ti models, optional for 108i, 110i and 112i models),

12. CONTENTS OF THE PACKAGING

12.1. ARQIS105i

- 1 x ARQIS105i loudspeaker
- 1 x VEASY wall bracket with vertical and horizontal adjustment (VESA compatible)
- 1 x Allen key 3mm
- 1 x Allen key 4mm
- 1 x Allen key 6mm
- 2x Euroblock
- Quick user guide
- Warranty card

12.2. ARQIS106i

- 1 x ARQIS106i loudspeaker
- 1 x VEASY wall bracket with vertical and horizontal adjustment (VESA compatible)
- 1 x Allen key 3mm
- 1 x Allen key 4mm
- 1 x Allen key 6mm
- 2x Euroblock
- Quick user guide
- Warranty card

12.3. ARQIS108i

- 1 x ARQIS108i loudspeaker
- 1 x VEASY wall bracket with vertical and horizontal adjustment (VESA compatible)
- 1 x Allen key 3mm
- 1 x Allen key 4mm
- 1 x Allen key 6mm
- 2x Euroblock
- Quick user guide
- Warranty card

12.4. ARQIS205i

- 1 x ARQIS205i loudspeaker
- 1 x U-shaped wall/ceiling bracket
- 1 x metal safety handle
- 1 x Allen key 5mm
- 1 x Allen key 6mm
- 2 x screws
- 2 x washers
- 2 x rubber washers
- 2 x plastic trims
- 1 x Euroblock
- 1 x Speakon
- Quick user guide
- Warranty card

12.5 ARQIS208i

- 1 x ARQIS208i loudspeaker
- 1 x U-shaped wall/ceiling bracket
- Metal security handle
- 1 x Allen key 5mm
- 1 x Allen key 6mm
- 2 x screws
- 2 x washers
- 2 x rubber washers
- 2 x plastic trims
- 1 x Euroblock
- 1 x Speakon
- Quick user guide
- Warranty card

12.6. ARQIS110i

- 1 x ARQIS110i loudspeaker
- 4 x screws
- 4 x rubber feet
- 1 x Euroblock
- Quick user guide
- Warranty card

12.7. ARQIS112i

- 1 x ARQIS112i loudspeaker
- 4 x screws
- 4 x rubber feet
- 1 x Euroblock
- Quick user guide
- Warranty card

12.8. ARQISSB6Ti

- 1 x ARQISSB6Ti loudspeaker
- 1 x U-shaped wall/ceiling bracket
- 1 x metal safety handle
- 1 x Allen key 5mm
- 1 x Allen key 6mm
- 2 x screws
- 2 x washers
- 2 x rubber washers
- 2 x plastic trims
- 1 x Euroblock
- 1 x Speakon
- Quick user guide
- Warranty card

12.9. ARQISSB10i

- 1 x ARQISSB10i loudspeaker
- 1 x wall mounting bracket
- 4 x screws
- 4 x rubber feet
- 1 x Euroblock
- Quick user guide
- Warranty card

12.10. ARQISSB12i

- 1 x ARQISSB12i loudspeaker
- 1 x Speakon
- 4 x rubber feet
- Quick user guide
- Warranty card

12.11. ARQISSB15i

- 1 x ARQISSB15i loudspeaker
- 1 x Speakon
- 4 x rubber feet
- Quick user guide
- Warranty card

All product characteristics are subject to variation due to production tolerances. **NEEC AUDIO BARCELONA S.L.** reserves the right to make changes or improvements in the design or manufacturing that may affect these product specifications.

For technical queries contact your supplier, distributor or complete the contact form on our website, in [Support / Technical requests](#).

Motors, 166-168 08038 Barcelona - Spain - (+34) 932238403 | information@ecler.com | www.ecler.com