

LABI1-SB18

COMPACT PA SYSTEMS

Sub-top portable sound system



LABI1-SB18



LABI1 Set

PRODUCT OVERVIEW

LABI1-SB18 is an 18" passive subwoofer, 500W AES 8 Ω , designed for fixed installations and portable applications (external amplification required). A stand alone compact subwoofer or combined with LABI1-C100i to create a complete powerful solution, easy to mount and plug and play.

LABI1 series offers a modular solution to satisfy the most demanding fixed installations and mobile public address applications. Combining the different products of the series, it can fulfill any requirement.

KEY FEATURES

- 18” passive subwoofer with a compact design
- 500W AES
- Frequency range (-10dB): 38Hz – 250Hz
- Max. SPL: 131dB
- 1 x input connector: Speakon®
- 1 x stack output connector: Speakon®
- Black finish available

APPLICATIONS

- Hospitality
- Leisure
- Sports & Wellness

ACCESSORIES & COMPATIBLE PRODUCTS

- LABI1-C100i
- LABI1-SAC: column to sub-woofer adapter
- LABI1-SWK: wheel kit
- LABI1-SPC: protection nylon cover



X4

LABI1-SWK



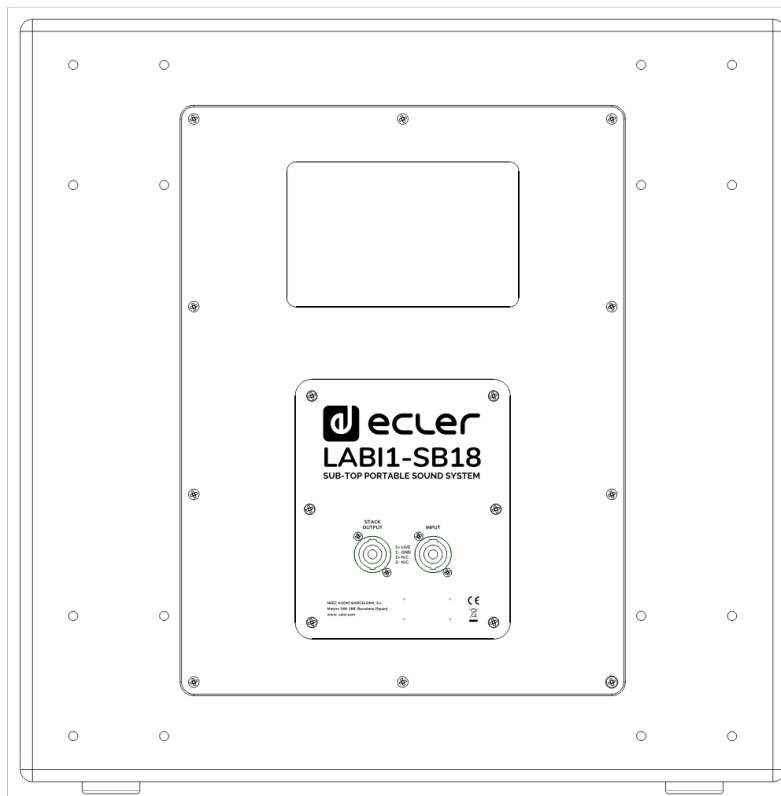
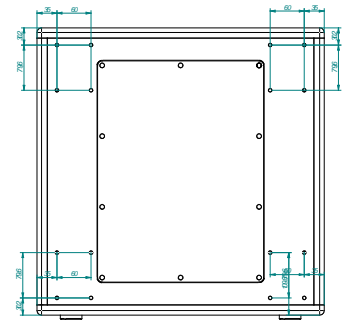
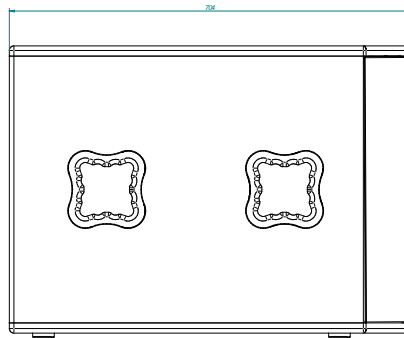
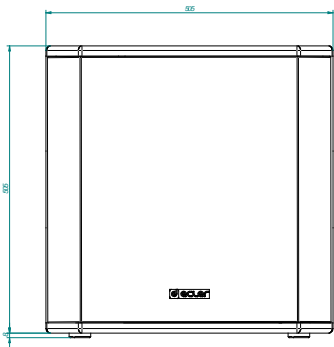
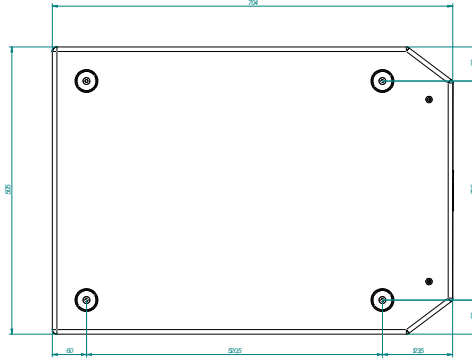
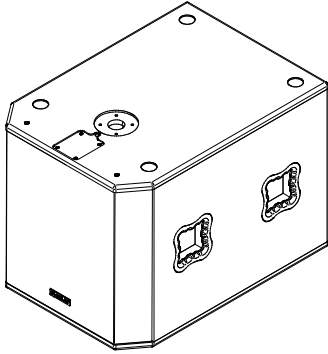
LABI1-SPC

TECHNICAL SPECIFICATIONS

LABI1-SB18

Drivers	18” subwoofer with 3” voice coil
AES Power	500W / 2000W peak
Impedance	8Ω
Sensitivity	98dB (1W/1m)
Maximum SPL	131dB
Frequency range	38 Hz ~ 250 Hz (-10dB)
Dispersion	Omnidirectional
Audio inputs	Speakon®
Audio outputs	Speakon® (stack output)
IP rating	IP20
Material	15mm premium birch plywood with polyurea coating
Operating temperature	Min: 0°C ; 32°F Max: 35°C ; 95°F
Operating humidity	<85% HR
Storage temperature	Min: -10°C ; 14°F Max: 50°C ; 122°F
Storage humidity	<90% HR
Finished colour	Black (RAL 9005)
Dimensions (WxHxD)	513 x 513 x 704 mm / 20.2 x 20.2 x 27.7 in.
Weight	37.1 kg / 81.8 lb

MECHANICAL DIAGRAMS

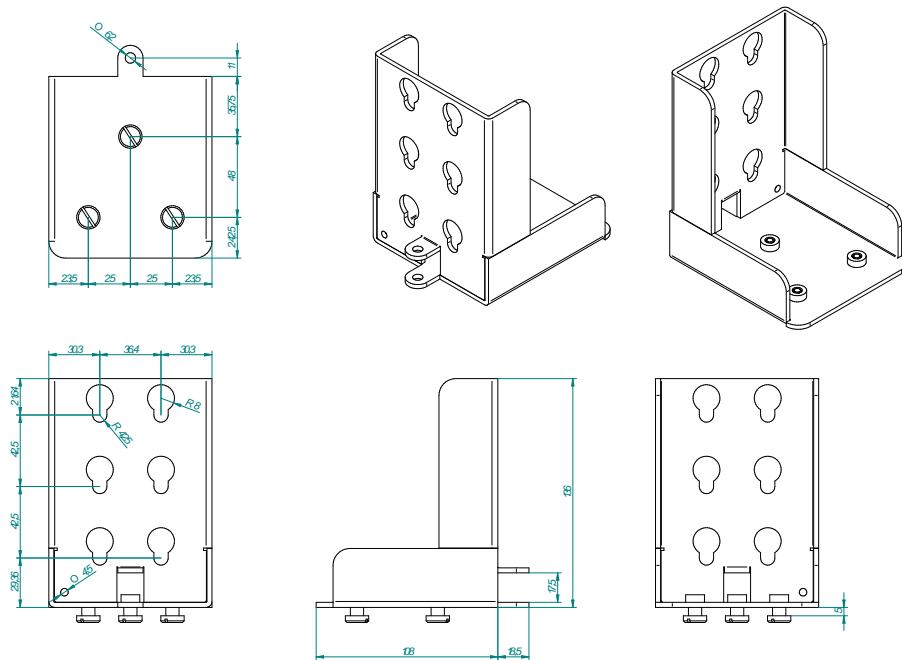
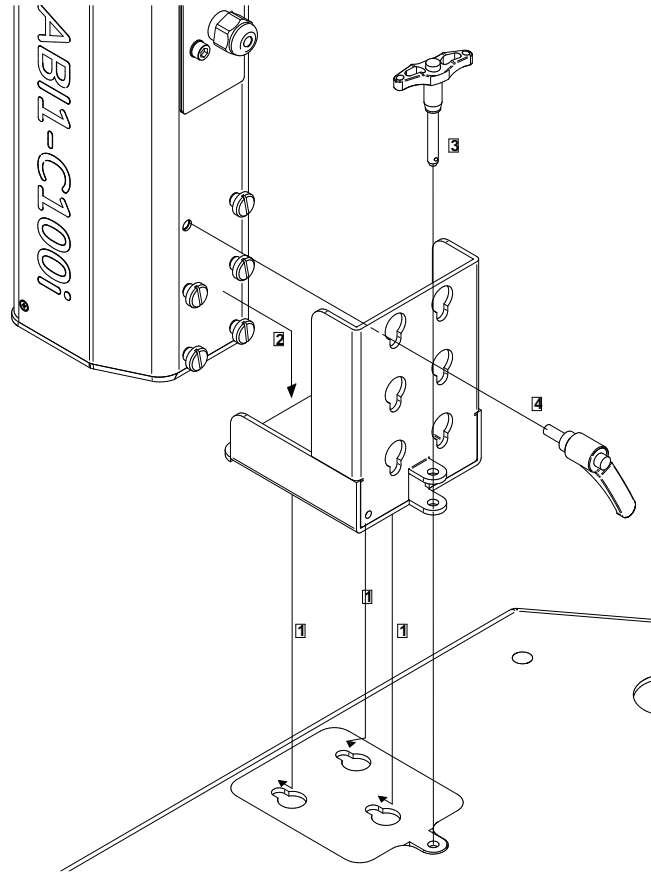


LABI1 SYSTEM

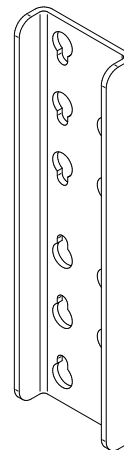
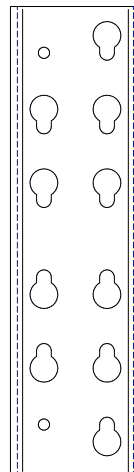
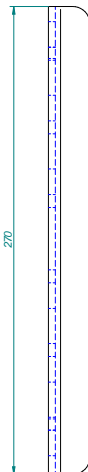
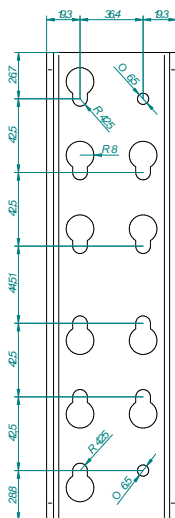
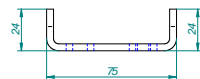
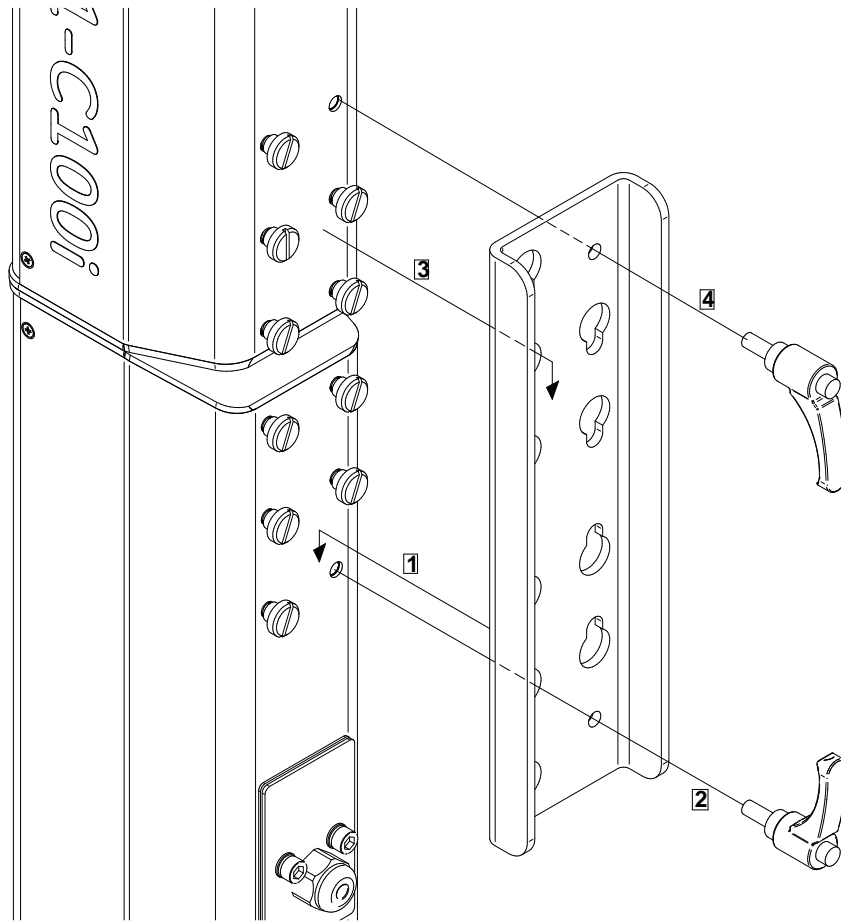


MOUNTING DIAGRAMS

LABI1-SAC: column to sub-woofer adapter



LAB1-CAC: column to column adapter





All product characteristics are subject to variation due to production tolerances. **NEEC AUDIO BARCELONA S.L.** reserves the right to make changes or improvements in the design or manufacturing that may affect these product specifications.

For technical requests address to your supplier, distributor or fill the contact form in our website, at Support / Technical Request.

Motors, 166-168 08038 Barcelona - Spain - (+34) 932238403 | information@ecler.com | www.ecler.com