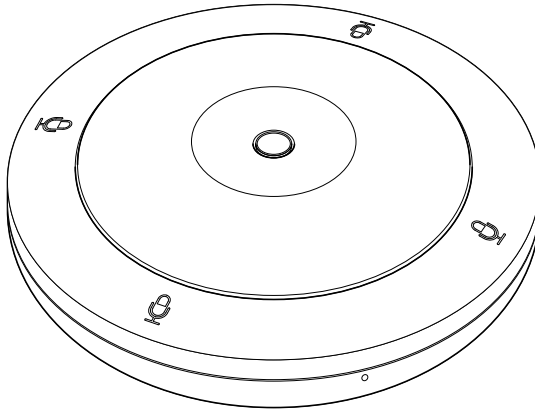




**BOUNDARY MICROPHONE
MICROPHONE DE SURFACE
МИКРОФОН ГРАНИЧНОГО СЛОЯ
界面麦克风**

RM-TT



- EN** Installation Manual
- DE** Installationshandbuch
- FR** Manuel d'installation
- ES** Manual de instalación
- PT** Manual de instalação
- IT** Manuale di installazione
- RU** Руководство по установке
- ZH** 安装说明书
- KO** 설치설명서
- JA** 施工説明書

English

Deutsch

Français

Español

Português

Italiano

Русский

中文

한국어

日本語

CONTENTS

PRECAUTIONS	3
NOTICE	5
INFORMATION	6
INTRODUCTION	8
Included items	8
Reference manuals	8
CONTROLS AND FUNCTIONS	9
Top panel/side panel	9
Bottom panel	10
INSTALLING ON A TABLE	11
Without mounting onto the table	11
When mounting onto the table	12
MAIN SPECIFICATIONS	15
Dimensional diagram	16

The model number, serial number, power requirements, etc., may be found on or near the name plate, which is at the bottom of the unit. You should note this serial number in the space provided below and retain this manual as a permanent record of your purchase to aid identification in the event of theft.

Model No.

Serial No.

(bottom_en_01)

PRECAUTIONS

PLEASE READ CAREFULLY BEFORE PROCEEDING

Please keep this manual in a safe place for future reference.

Yamaha cannot be held responsible for damage caused by improper use or modifications to the product, or data that is lost or destroyed.



WARNING

Always follow the basic precautions listed below to avoid the possibility of serious injury or even death from electrical shock, short-circuiting, damages, fire or other hazards. These precautions include, but are not limited to, the following:

Fire warning

- Do not place any burning items or open flames near the product, since they may cause a fire.



CAUTION

Always follow the basic precautions listed below to avoid the possibility of physical injury to you or others. These precautions include, but are not limited to, the following:

If you notice any abnormality

- If any of the following problems occur, immediately disconnect the LAN cable from the product.
 - The LAN cable becomes frayed or damaged.
 - Unusual smells or smoke are emitted.
 - Some object, or water has been dropped into the product.
 - Cracks or other visible damage appear on the product.Then have the product inspected or repaired by qualified Yamaha service personnel.

Do not open

- This product contains no user-serviceable parts. Do not attempt to disassemble the internal parts or modify them in any way.

Water caution

- Do not expose the product to rain, use it near water or in damp or wet conditions, or place on it any containers (such as vases, bottles or glasses) containing liquids which might spill into any openings.

Location and connection

- When connecting this product with a PoE injector or a PoE network switch, use a LAN cable which supports PoE. If you connect a cable that does not comply with specifications, or connect a flat type or slim type cable, fire or malfunctions might occur.
- Do not damage the LAN cable. Failure to observe this precaution could result in fire, electric shock, or damage to the product.
 - Do not place heavy objects on the cable.
 - Do not process the cable in any way.
 - Do not use staples to fix the cable in place.
 - Do not apply excessive force to the cable.
 - Be sure to keep the cable away from anything hot.
- Do not place the product in an unstable position or a location with excessive vibration, where it might accidentally fall and cause injury.
- Keep this product out of reach of children. This product is not suitable for use in locations where children are likely to be present.
- Do not place the product in a location where it may come into contact with corrosive gases or salt air. Doing so may result in malfunction.
- Do not route a LAN cable where someone might trip over them, such as in a location where people pass. Tripping on a cable may cause a person or this product to fall down, resulting in personal injury or damage to the product.
- Before moving the product, remove the connected LAN cable.
- Install in the manner instructed in the manual. Falling may result in injury or damage.
- Confirm that the finished installation is safe and secure. Also, carry out safety inspections periodically. Failure to observe this may cause devices to fall and result in injury.
- Always consult qualified Yamaha service personnel if the product installation requires construction work. Improper installation might cause accidents, injuries, damage or malfunction of this product.

Handling caution

- Do not rest your weight on the product or place heavy objects on it.

NOTICE

To avoid the possibility of malfunction/damage to the product, damage to data, or damage to other property, follow the notices below.

Handling and maintenance

- Do not use the product in the vicinity of a TV, radio, or other electric products. Otherwise, the product, TV, or radio may generate noise.
- Do not install the product in a location where magnetic fields are strong. Otherwise, it might cause the product to malfunction.
- Do not expose the product to excessive dust or vibration, or extreme cold or heat, in order to prevent the possibility of disfiguration, unstable operation, or damage to the internal components.
- Do not install in locations where temperature changes are severe. Otherwise, condensation may form on the inside or the surface of the product, causing it to break.
- If there is reason to believe that condensation might have occurred, leave the product for several hours without turning on the power until the condensation has completely dried out, in order to prevent possible damage.
- Do not use a LAN cable that comes into contact with the product case or applies excessive force to the connector.
- Do not touch the interior of a port with your fingers or any metallic object.
- Do not place vinyl, plastic or rubber objects on the product, since this might cause alteration or discoloration.
- When cleaning the product, use a dry and soft cloth. Do not use paint thinners, solvents, cleaning fluids, or chemical-impregnated wiping cloths, since this might cause alteration or discoloration.



INFORMATION

About functions/data bundled with the product

- Warning: Operation of this product in a residential environment could cause radio interference.
- This product uses Dante Ultimo. Refer to the Audinate website (English) for details on the open source licenses for the particular software.
<https://www.audinate.com/software-licensing>
Refer to the website below for the licensing terms of the open source software used in this product.
U.S.A. and Canada
<https://uc.yamaha.com/support/>
Other countries
<https://download.yamaha.com/>

About this manual

- This Manual uses the following signal words for the important information:

 WARNING	This content indicates “risk of serious injury or death.”
 CAUTION	This content indicates “risk of injury.”
NOTICE	Indicates content that you must observe in order to prevent the product from malfunctioning, being damaged, or operating incorrectly, and to avoid data loss.
IMPORTANT	Indicates content that you must know in order to operate and use the product correctly.
NOTE	Indicates information that is related to operation and use. Read this for your reference.

- The illustrations as shown in this manual are for instructional purposes only.
- The company names and product names in this manual are the trademarks or registered trademarks of their respective companies.
- Yamaha continuously makes improvements and updates to the software included in this product. You can download the latest software from the Yamaha website.
- Unauthorized copying of this document in part or in its entirety is prohibited.

About transfer/disposal

- If you transfer the product to a third party, pass this manual and accessories along with it.
- This product contains recyclable components. When disposing of this product, please contact the appropriate local authorities.

INTRODUCTION

Thank you for purchasing the Yamaha RM-TT boundary microphone. This unit is a PoE-powered tabletop microphone. It is compatible with Dante and can be used in combination with the RM-CR signal processor. Be sure to read this manual before using the unit.

Included items

- Tabletop mounting adaptor : 1
- Mounting screws : 3
- Spacers : 3
- Installation Manual (this document): 1

Reference manuals

- For details on connecting this unit to the RM-CR, refer to the RM-CR Reference Manual.
- For details on the functions and specifications of this unit, refer to the RM-TT Reference Manual.

Both publications are available on the Yamaha website.

U.S.A. and Canada

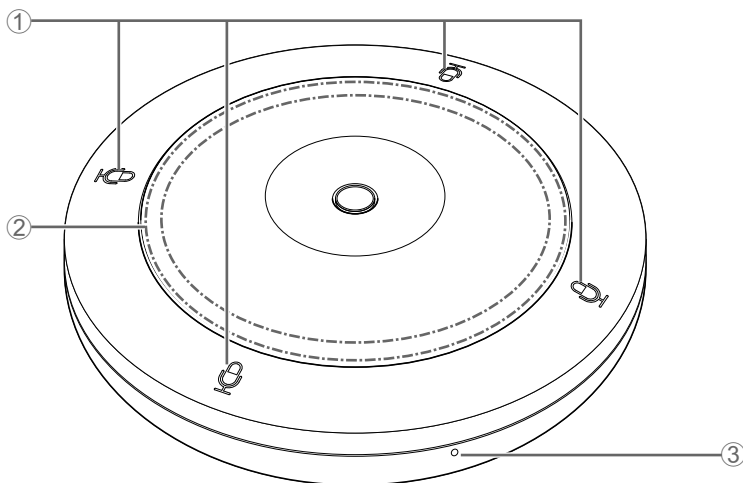
<https://uc.yamaha.com/support/>

Other countries

<https://download.yamaha.com/>

CONTROLS AND FUNCTIONS

Top panel/side panel



① Mic buttons/indicators

Touch a button to turn on/off the microphone. All four buttons/indicators work together.

Mic indicator	Microphone status
Green	ON
Red	OFF

② Status indicator

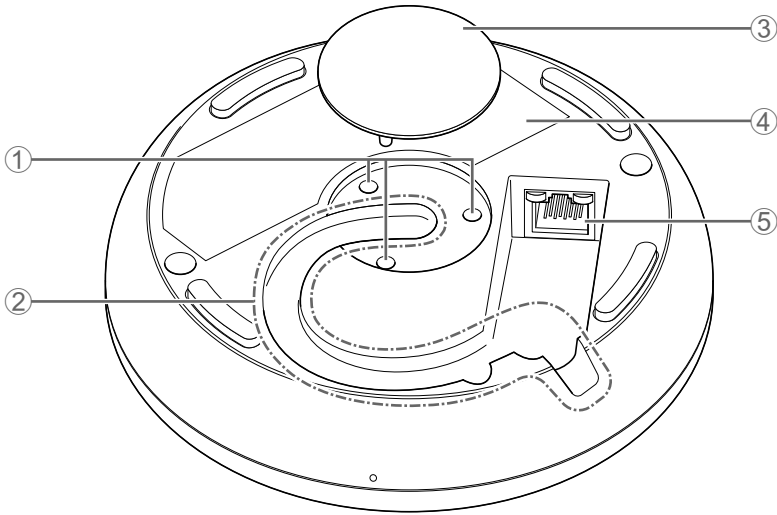
Indicates the status of this unit using a color and flashing pattern. For details, refer to the RM-TT Reference Manual.

③ Reset button

Use to reset the settings by long-pressing with a fine-tipped object, then releasing it.

Long press	Status indicator	Reset target
4 seconds to less than 8 seconds	Flashes blue twice per second (during long-pressing/resetting)	Network-related settings
8 seconds to less than 12 seconds	Flashes blue three times per second (during long-pressing/resetting)	All settings (automatically restarts after reset)

Bottom panel



① Mounting screw holes

Use for installing the mounting screws.

② Cable slot

Use for routing the LAN cable.

③ Cap

Remove when mounting this unit onto a table.

④ Product label

Provides information about this unit and marks of conformity with various standards.

⑤ Dante/PoE port

This is an RJ-45 port to which you can connect an LAN cable (CAT5e or higher) via an IEEE802.3af compliant a PoE injector or the PoE network switch to a Dante unit. For details on injectors, refer to the RM-TT Reference Manual.

NOTICE : Do not connect this product to a public Wi-Fi and/or Internet service directly. Only connect this product to the Internet through a router with strong password protections. Consult your router manufacturer for information on optimum security practices.

: Do not connect any device here other than a Dante-compatible device or a device (including a computer) that supports gigabit Ethernet.

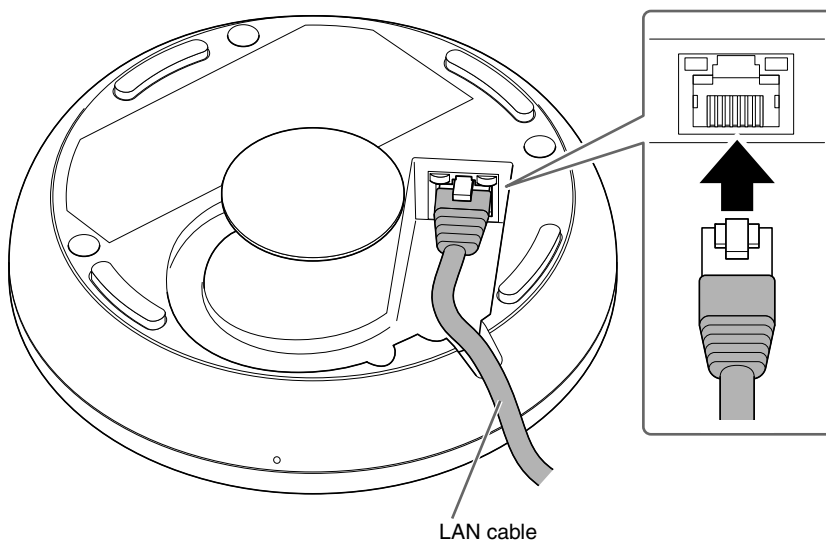
INSTALLING ON A TABLE

Be sure to install this unit using the methods described in this manual.

Without mounting onto the table

1. Plug the LAN cable into the Dante/PoE port.

Route through the cable slot as shown below.



NOTICE : Use STP (Shielded Twisted Pair) cable to prevent electromagnetic interference.

: When disconnecting the LAN cable from the Dante/PoE port, wait at least five seconds before reconnecting the cable. Otherwise, damage or malfunctions may result.

2. Place this unit on the table.

This completes the installation.

When mounting onto the table

Prepare the following.

- This unit
- Tabletop mounting adaptor (hereafter referred to as adaptor) (included)
- Mounting screws × 3 (included)
- Spacers × 3 (included)
- Commercially available countersunk screws × 3
- Drill



CAUTION : Be sure to use countersunk screws and a drill (bit) that are appropriate for the material of the table.
Using inappropriate hardware and tools may cause injuries or malfunctions or damage to the table.

1. Drill a hole in the table.

The hole must have a diameter of at least 25 mm. Use an appropriate drill bit.

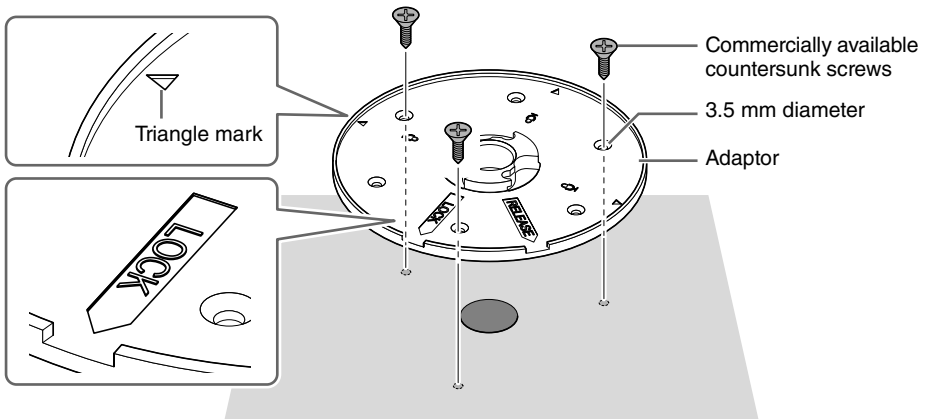


CAUTION : Use appropriate tools when making holes. Using inappropriate tools may cause hand injuries.
: Be careful not to get debris or dust in your eyes when making holes.

2. Place the adaptor over the hole in the table and secure it with three commercially available countersunk screws.

The diameter of the holes for the countersunk screws must be 3.5 mm.

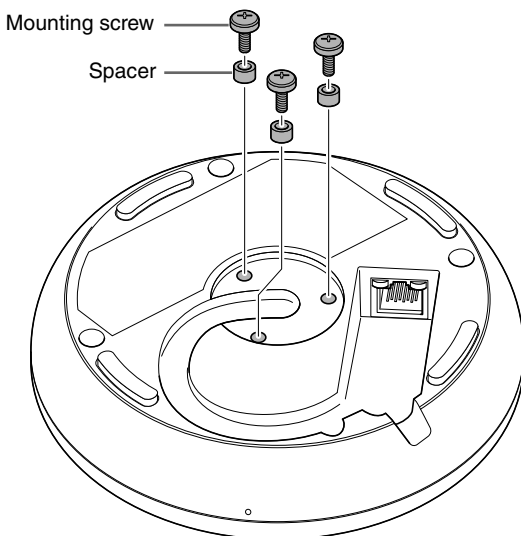
The adaptor is inscribed with one LOCK mark and three triangle marks. These four marks indicate the orientation of the Mic buttons/indicators when the unit has been installed. Use these as guides for determining the orientation of the adaptor.



NOTE : There are six holes (including spares) for the countersunk screws. Use any three of them.

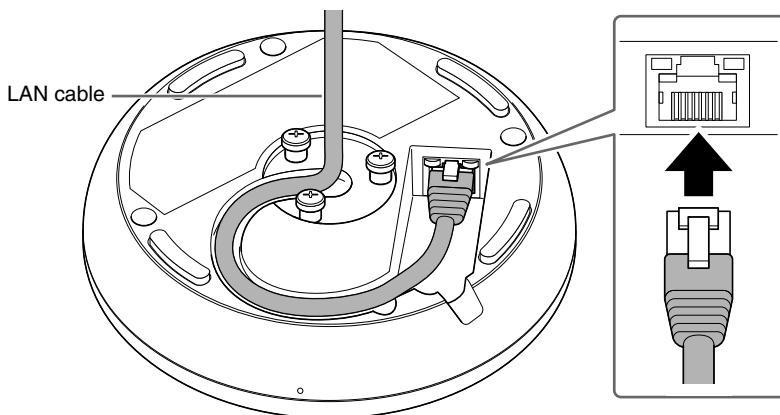
3. Remove the cap from the bottom of this unit, and then install three mounting screws through the mounting holes.

Place one spacer on each screw.



4. Plug the LAN cable into the Dante/PoE port.

Route through the cable slot as shown below.

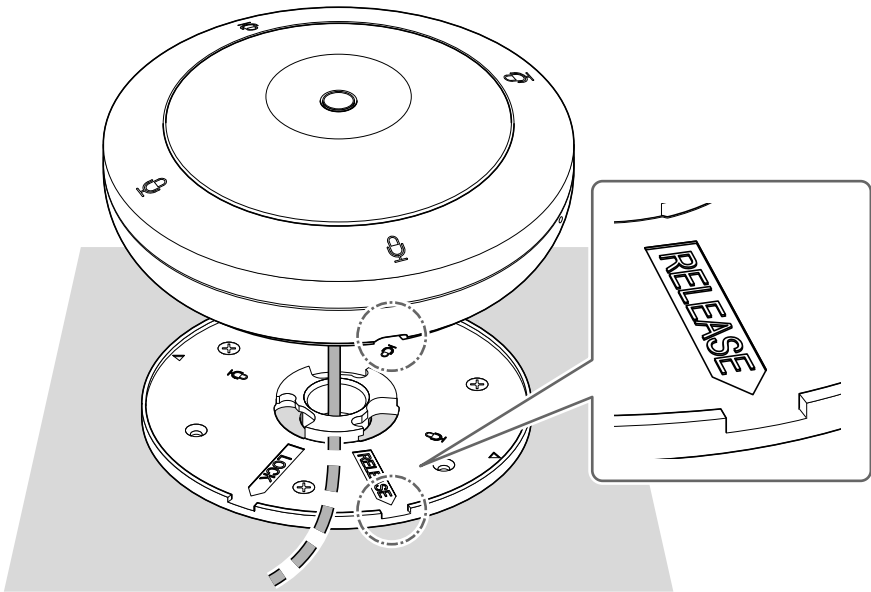


NOTICE : Use STP (Shielded Twisted Pair) cable to prevent electromagnetic interference.

: When disconnecting the LAN cable from the Dante/PoE port, wait at least five seconds before reconnecting the cable. Otherwise, damage or malfunctions may result.

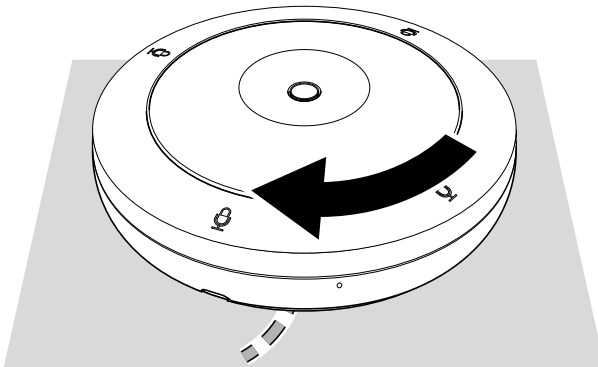
5. Pass the LAN cable through the center of the adaptor, and then place this unit on the adaptor.

The adaptor is inscribed with a RELEASE mark. Align the notch in the adaptor indicated by that mark with the cable slot in the side of the unit.



6. Rotate the unit 45° clockwise (as seen from the top).

Engaging the mounting screws and adaptor completes the installation.



NOTE : To remove the unit, rotate it 45° counterclockwise.

MAIN SPECIFICATIONS

General specifications

Dimensions		W 140.0 mm × D 140.0 mm × H 40.0 mm (excluding protrusions)
Weight		310 g
Power requirements		PoE (IEEE802.3af), DC48 V
Maximum power consumption		4.5 W
In operation	Temperature	0 °C – 40 °C
	Humidity	30% – 90% (no condensation)
Storage	Temperature	–20 °C – 60 °C
	Humidity	20% – 90% (no condensation)
Indicators		<ul style="list-style-type: none"> • Mic • Status • Network port
Accessories		<ul style="list-style-type: none"> • Tabletop mounting adaptor : 1 • Mounting screw : 3 • Spacer : 3 • Installation Manual (this document) : 1

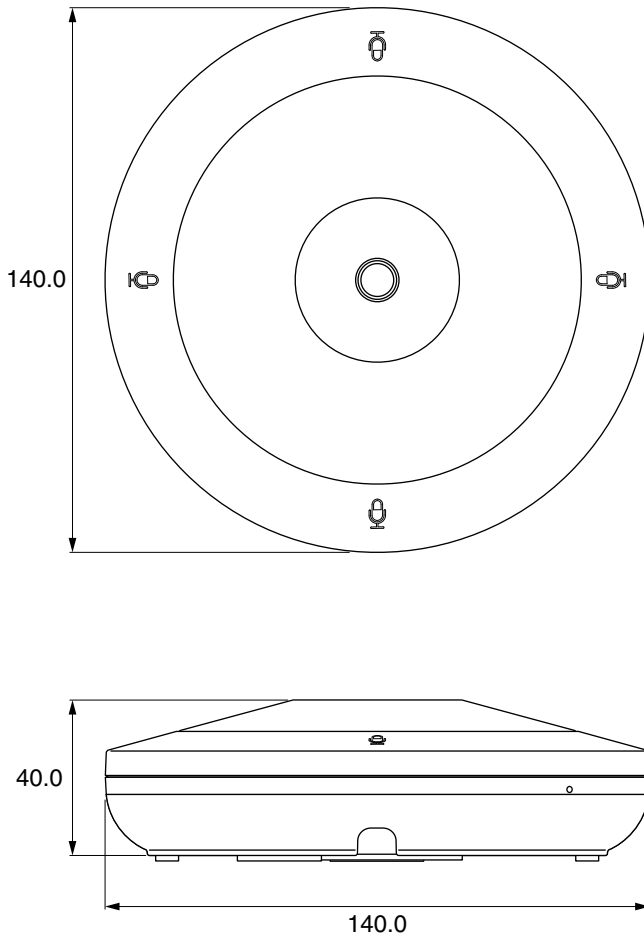
Network specifications

Dante/PoE port	<ul style="list-style-type: none"> • Dante audio/Dante control • Remote control • PoE • Cable requirements: CAT5e or higher, STP
----------------	--

The contents of this manual apply to the latest specifications as of the publishing date. To obtain the latest manual, access the Yamaha website then download the manual file.

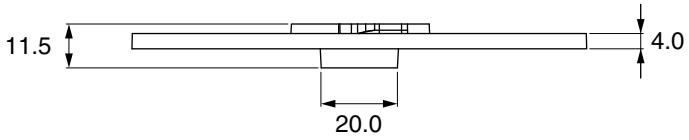
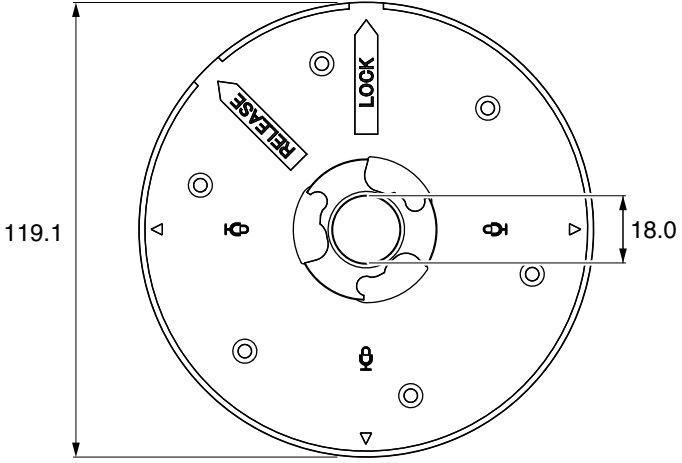
Dimensional diagram

This unit



Units: mm

Tabletop mounting adaptor



Units: mm

Information for users on collection and disposal of old equipment:



This symbol on the products, packaging, and/or accompanying documents means that used electrical and electronic products should not be mixed with general household waste.

For proper treatment, recovery and recycling of old products, please take them to applicable collection points, in accordance with your national legislation.

By disposing of these products correctly, you will help to save valuable resources and prevent any potential negative effects on human health and the environment which could otherwise arise from inappropriate waste handling.

For more information about collection and recycling of old products, please contact your local municipality, your waste disposal service or the point of sale where you purchased the items.

For business users in the European Union:

If you wish to discard electrical and electronic equipment, please contact your dealer or supplier for further information.

Information on Disposal in other Countries outside the European Union:

This symbol is only valid in the European Union. If you wish to discard these items, please contact your local authorities or dealer and ask for the correct method of disposal.

(weee_eu_en_02)

CAN ICES-3 (A)/NMB-3(A)

(can_a_02)

COMPLIANCE INFORMATION STATEMENT (Supplier's declaration of conformity procedure)

Responsible Party: Yamaha Unified Communications, Inc.
Address: 144 North Rd, Suite 3250 Sudbury, MA 01776
Telephone: 800-326-1088
Type of Equipment: Boundary Microphone
Model Name: RM-TT

This device complies with Part 15 of the FCC Rules.

Operation is subject to the following conditions:

- 1) this device may not cause harmful interference, and
- 2) this device must accept any interference received including interference that may cause undesired operation.

(FCC SDoc)

FCC INFORMATION (U.S.A.)

1. IMPORTANT NOTICE:

DO NOT MODIFY THIS UNIT!

This product, when installed as indicated in the instructions contained in this manual, meets FCC requirements.

Modifications not expressly approved by Yamaha may void your authority, granted by the FCC, to use the product.

- 2. IMPORTANT:** When connecting this product to accessories and/or another product use only high quality shielded cables. Cable/s supplied with this product MUST be used. Follow all installation instructions. Failure to follow instructions could void your FCC authorization to use this product in the USA.

- 3. NOTE:** This equipment has been tested and found to comply with the limits for a Class A digital device, pursuant to Part 15 of the FCC rules. These limits are designed to provide reasonable protection against harmful interference when the equipment is operated in a commercial environment. This equipment generates, uses and can radiate radio frequency energy and, if not installed and used in accordance with the instruction manual, may cause harmful interference to radio communications. Operation of this equipment in a residential area is likely to cause harmful interference in which case the user will be required to correct the interference at his own expense.

(class A)

INHALTSVERZEICHNIS

VORSICHTSMAßNAHMEN	21
ACHTUNG	23
INFORMATION.....	24
EINLEITUNG	26
Lieferumfang	26
Referenzhandbücher.....	26
BEDIENUNGSELEMENTE UND DEREN FUNKTION	27
Oberseite/Seitenwand	27
Unterseite	28
ANBAU AN EINEM TISCH.....	29
Ohne Anbau am Tisch	29
Mit Anbau am Tisch	30
TECHNISCHE DATEN	33
Maßbild	34

Die Nummer des Modells, die Seriennummer, der Leistungsbedarf usw. sind auf dem Typenschild, das sich auf der Unterseite des Geräts befindet, oder in der Nähe davon angegeben. Sie sollten diese Seriennummer an der unten vorgesehenen Stelle eintragen und dieses Handbuch als dauerhaften Beleg für Ihren Kauf aufbewahren, um im Fall eines Diebstahls die Identifikation zu erleichtern..

Modell Nr.

Seriennr.

(bottom_de_01)

VORSICHTSMAßNAHMEN

EMPFOHLENE LEKTÜRE VOR DEM WEITERFAHREN

Vorliegendes Handbuch für spätere Nachschlagzwecke sorgfältig aufbewahren.

Yamaha haftet weder für Schäden, die auf unsachgemäße Benutzung oder Veränderungen des Geräts zurückzuführen sind, noch für den Verlust oder die Zerstörung von Daten.

Deutsch



WARNUNG

Beachten Sie stets die nachfolgend aufgeführten Vorsichtsmaßnahmen, um schwere Verletzungen oder tödliche Unfälle durch elektrischen Schlag, Kurzschluss, Brand oder andere Gefahren zu vermeiden. Folgende Vorsichtsmaßregeln stellen keine vollständige Aufzählung dar.

Brandschutz

- Halten Sie brennende Gegenstände und offene Flammen vom Gerät fern, um einen Brand zu vermeiden.



VORSICHT

Befolgen Sie stets die unten aufgeführten Grundvorsichtsmaßnahmen, um mögliche Verletzungen der eigenen oder anderer Personen zu vermeiden. Folgende Vorsichtsmaßregeln stellen keine vollständige Aufzählung dar.

Ungewöhnliche Vorkommnisse

- Tritt eines der folgenden Probleme auf, trennen Sie sofort das LAN-Kabel vom Gerät.
 - Das LAN-Kabel ist ausgefranst oder beschädigt.
 - Das Gerät erzeugt einen ungewöhnlichen Geruch oder Rauch.
 - Ein Gegenstand oder Wasser ist in das Gerät eingedrungen.
 - Das Gerät weist Risse oder andere sichtbare Schäden auf.

Das Gerät anschließend von qualifiziertem Yamaha Kundendienstpersonal prüfen oder reparieren lassen.

Nicht öffnen

- Dieses Gerät enthält keine vom Benutzer zu wartenden Teile. Die inneren Bauteile weder zerlegen noch in irgendeiner Weise modifizieren.

Gefahr durch Wasser

- Schützen Sie das Gerät vor Regen, Wasser und Feuchtigkeit, und stellen Sie keine mit Flüssigkeiten befüllten Behälter (wie Vasen, Flaschen oder Gläser) darauf ab, deren Inhalt in die Öffnungen auslaufen könnte.

Einsatzort und Verbindungen

- Zum Verbinden dieses Geräts mit einem PoE-Injektor oder -Netzwerk-Switch ein PoE-fähiges LAN-Kabel einsetzen. Wird ein Kabel, das dieser Spezifikationen nicht entspricht, oder ein flaches bzw. dünnes Kabel eingesetzt, könnte ein Brand oder eine Störung erfolgen.
- Das LAN-Kabel nicht beschädigen. Andernfalls könnte ein Brand, elektrischer Schlag oder Beschädigung des Geräts erfolgen.
 - Keine schweren Gegenstände auf das Kabel setzen.
 - Das Kabel in keiner Weise umrüsten.
 - Das Kabel nicht anheften.
 - Das Kabel nicht strapazieren.
 - Das Kabel von Hitzequellen fernhalten.
- Stellen Sie das Gerät nicht in eine un stabile Lage oder an einem Ort mit übermäßigen Vibrationen, an dem es versehentlich abstürzen und Verletzungen verursachen könnte.
- Halten Sie dieses Gerät außer Reichweite von Kindern. Dieses Gerät eignet sich nicht für den Einsatz an Orten, wo sich Kinder aufhalten könnten.
- Setzen Sie das Gerät nicht an einem Ort ein, wo es korrosiven Gasen oder salzhaltiger Luft ausgesetzt sein könnte. Dadurch kann es zu Fehlfunktionen kommen.
- Verlegen Sie keine LAN-Kabel in Durchgangsbereichen, wo Personen stolpern könnten. Beim Stolpern über ein Kabel könnte eine Person fallen und sich verletzen oder das Gerät stürzen und beschädigt werden.
- Ziehen Sie das LAN-Kabel ab, bevor Sie das Gerät versetzen.
- Das Gerät wie in der Anleitung beschrieben aufstellen. Anderenfalls können Verletzungen oder Schäden verursachen.
- Bestätigen Sie, dass die abgeschlossene Aufstellung sicher ist. Führen Sie außerdem regelmäßige Sicherheitskontrollen durch. Andernfalls könnten Geräte abstürzen und Verletzungen verursachen.
- Wenden Sie sich an qualifiziertes Yamaha Kundendienstpersonal, falls für die Gerätemontage Bauarbeiten erforderlich sind. Eine unsachgemäße Montage kann Unfälle, Verletzungen, Schäden oder Störung des Geräts verursachen.

Vorsichtsmaßnahmen während der Benutzung

- Sie sollten sich weder auf das Gerät abstützen noch schwere Gegenstände darauf abstellen.

ACHTUNG

Beachten Sie folgende Hinweise, um eine Störung bzw. Beschädigung des Geräts, den Verlust von Daten oder andere Sachschäden zu vermeiden.

Umgang und Wartung

- Setzen Sie dieses Gerät nicht in der Nähe eines Fernsehgeräts, Radios oder anderen elektrischen Geräts ein. Andernfalls könnte das Gerät, Fernsehgerät oder Radio Störungen verursachen.
- Stellen Sie das Gerät von starken Magnetfeldern entfernt auf. Andernfalls könnte die Funktion des Geräts beeinträchtigt werden.
- Setzen Sie das Gerät weder übermäßigem Staub, Vibrationen noch extremer Kälte oder Hitze aus, um eine äußere Schädigung, Betriebsstörungen oder eine Beschädigung innerer Bauteile zu vermeiden.
- Das Gerät nicht an Orten mit starken Temperaturänderungen anbringen. Andernfalls kann sich Kondensation auf der Innenseite oder Oberfläche des Geräts bilden und Beschädigung verursachen.
- Wenn es Grund zur Annahme gibt, dass Kondensation aufgetreten sein könnte, lassen Sie das Gerät zum Schutz vor möglichen Schäden mehrere Stunden lang ausgeschaltet, bis die Kondensation vollständig ausgetrocknet ist.
- Verwenden Sie kein LAN-Kabel, welches das Gehäuse des Geräts berührt oder die Anschlussbuchse strapaziert.
- Fingern und metallische Gegenstände aus dem Inneren der Anschlussbuchsen fernhalten.
- Halten Sie Gegenstände aus Vinyl, Kunststoff oder Gummi fern, andernfalls könnte das Gerät verformt oder verfärbt werden.
- Reinigen Sie das Gerät mit einem trockenen, weichen Tuch. Verwenden Sie keine mit Verdünnern, Lösungsmitteln, Reinigern oder anderen Chemikalien befeuchtete Wischtücher, um Verformung oder Verfärbung zu vermeiden.



INFORMATION

Über mit dem Gerät gebündelte Funktionen/Daten

- Warnung: Der Betrieb dieses Geräts in Wohngebieten kann Funkstörungen verursachen.
- Dieses Gerät setzt Dante Ultimo ein. Weitere Informationen zu den OpenSource-Lizenzen für die jeweilige Software finden sich auf der (englischsprachigen) Website von Audinate:
<https://www.audinate.com/software-licensing>
Die Lizenzbedingungen für die in diesem Produkt verwendete Open-Source-Software findet sich auf der folgenden Website.
Für USA und Kanada
<https://uc.yamaha.com/support/>
Für andere Länder
<https://download.yamaha.com/>

Über dieses Handbuch

- Folgende Signalwörter weisen auf wichtige Informationen in vorliegendem Handbuch hin.

 WARNUNG	Dieser Inhalt weist auf „unmittelbares Risiko schwerer Verletzungen oder Todesgefahr“ hin.
 VORSICHT	Der zugehörige Inhalt weist auf „ein Risiko schwerer Verletzungen“ hin.
ACHTUNG	Verweist auf Informationen, die zu beachten sind, um Gerätepannen, -schäden oder -störungen sowie Datenverluste zu verhindern.
WICHTIG	Verweist auf Informationen, die für eine ordnungsgemäße Bedienung und Benutzung des Geräts erforderlich sind.
HINWEIS	Verweist auf Informationen zur Bedienung und Benutzung. Lesen Sie diese nach Bedarf.

- Die Abbildungen in diesem Handbuch dienen lediglich zur Veranschaulichung.
- Die in dieser Anleitung erwähnten Firmen- und Produktnamen sind Warenzeichen bzw. eingetragene Warenzeichen der entsprechenden Firmen.
- Yamaha verbessert und aktualisiert die in diesem Gerät enthaltene Software kontinuierlich. Sie können die neueste Software von der Yamaha-Website herunterladen.
- Das unbefugte Kopieren dieses Dokuments, ob ganz oder teilweise, ist untersagt.

Bei Übergabe/Entsorgung

- Falls Sie dieses Gerät an eine andere Person weitergeben, legen Sie vorliegendes Handbuch und das Zubehör bei.
- Dieses Gerät enthält recycelbare Komponenten. Wenden Sie sich für die Entsorgung dieses Geräts bitte an die zuständigen örtlichen Behörden.

EINLEITUNG

Vielen Dank für den Kauf eines Grenzflächenmikrofons RM-TT von Yamaha. Dieses Tischmikrofon ist PoE-betrieben. Es unterstützt Dante und kann zusammen mit dem Signalprozessor RM-CR eingesetzt werden. Lesen Sie das vorliegende Handbuch sorgfältig durch, bevor Sie das Gerät einsetzen.

Lieferumfang

- Tischmontageadapter : 1
- Montageschrauben : 3
- Distanzstücke : 3
- (Vorliegendes) Installationshandbuch : 1

Referenzhandbücher

- Einzelheiten zum Verbinden dieses Geräts mit dem RM-CR finden sich im Referenzhandbuch des RM-CR.
- Einzelheiten zu den Funktionen und technischen Daten dieses Geräts finden sich im Referenzhandbuch des RM-TT.

Beide Dokumente sind auf der Yamaha-Website verfügbar.

Für USA und Kanada

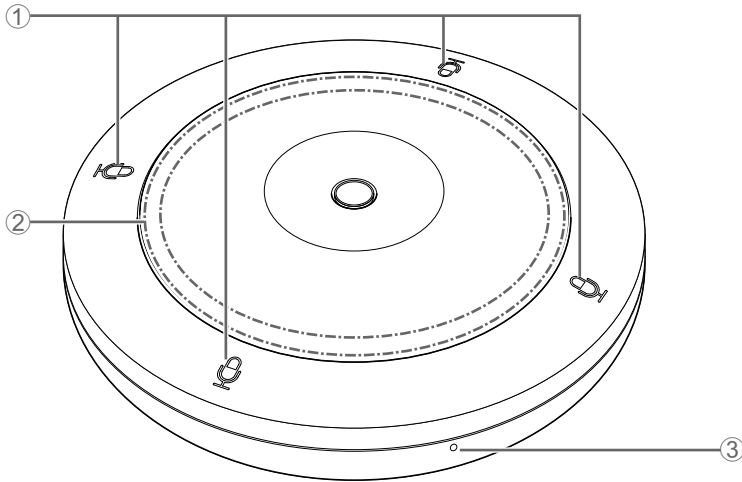
<https://uc.yamaha.com/support/>

Für andere Länder

<https://download.yamaha.com/>

BEDIENUNGSELEMENTE UND DEREN FUNKTION

Oberseite/Seitenwand



① Mikrofontasten/-anzeigen

Berühren Sie eine Taste, um das Mikrofon ein- oder auszuschalten. Die vier Mikrofontasten/-anzeigen arbeiten zusammen.

Mikrofonanzeige	Mikrofonstatus
Grün	Ein
Rot	Aus

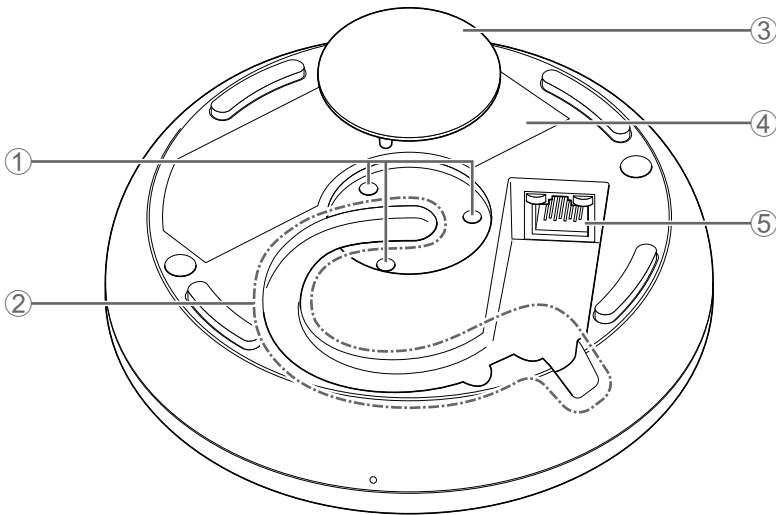
② Statusanzeige

Zeigt den Status dieses Geräts durch Farben und Blinkmuster an. Einzelheiten finden sich im Referenzhandbuch des RM-TT.

③ Rückstellknopf

Mit einem feinspitzigen Gegenstand gedrückt halten und dann loslassen, um die Geräteeinstellungen zurückzustellen.

Gedrückt halten	Statusanzeige	Rückstellung
4 bis unter 8 Sekunden	Blinkt zweimal pro Sekunde blau (beim Gedrückthalten/Rückstellen)	Netzwerkeinstellungen
8 bis unter 12 Sekunden	Blinkt dreimal pro Sekunde blau (beim Gedrückthalten/Rückstellen)	Sämtliche Einstellungen (automatischer Neustart nach Rückstellung)



① Montagebohrungen

Zum Befestigen der Montageschrauben.

② Kabelführungsaussparung

Zum Verlegen des LAN-Kabels.

③ Abdeckung

Bei Tischmontage abzunehmen.

④ Typschild

Informiert über das Gerät und Prüfzeichen für verschiedene Standards.

⑤ Buchse Dante/PoE

An dieser RJ-45-Buchse können Sie ein LAN-Kabel (CAT5e oder höher) über einen IEEE802.3af-kompatiblen PoE-Injektor oder PoE-Netzwerk-Switch mit einem Dante-Gerät verbinden. Einzelheiten finden sich im Referenzhandbuch des RM-TT.

ACHTUNG : Verbinden Sie dieses Gerät nicht direkt mit einem öffentlichen WLAN oder Internetdienst. Verbinden Sie dieses Gerät nur über einen Router mit starkem Kennwortschutz mit dem Internet. Wenden Sie sich an Ihren Routerhersteller, um Informationen zu bewährten Sicherheitsverfahren zu erhalten.

: Schließen Sie hier kein anderes als ein Dante-fähiges oder Gigabit-Ethernet-fähiges Gerät (einschließlich Computer) an.

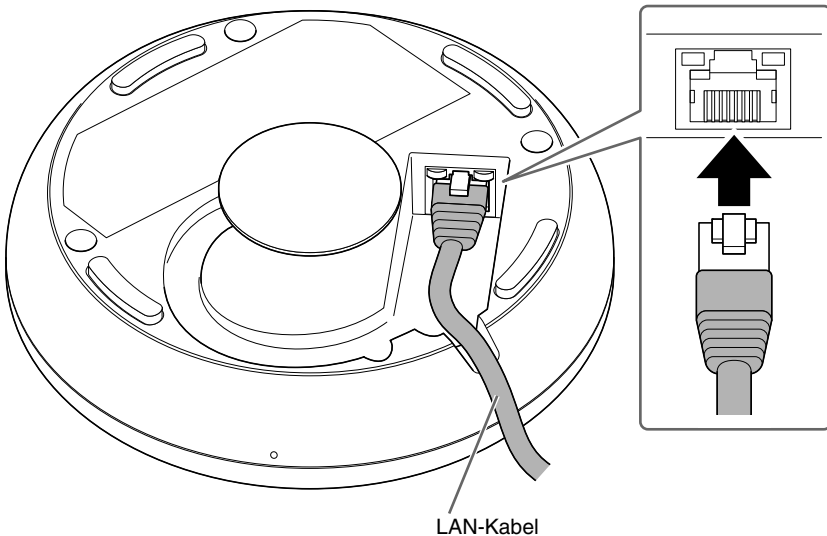
ANBAU AN EINEM TISCH

Dieses Gerät muss laut den Anweisungen dieses Handbuchs montiert werden.

Ohne Anbau am Tisch

1. Verbinden Sie das LAN-Kabel mit der Buchse Dante/PoE.

Wie unten gezeigt durch die Kabelführungsaussparung verlegen.



ACHTUNG : Verwenden Sie ein STP (Shielded Twisted Pair)-Kabel, um elektromagnetische Störungen zu verhindern.

: Wurde das LAN-Kabel von der Buchse Dante/PoE abgezogen, mindestens fünf Sekunden warten, bevor es wieder eingesteckt wird. Anderenfalls könnte Beschädigung oder Störung verursacht werden.

2. Das Gerät auf den Tisch abstellen.

Die Montage ist nun abgeschlossen.

Mit Anbau am Tisch

Bereiten Sie Folgendes vor:

- vorliegendes Gerät
- Tischmontageadapter (im Folgenden als Adapter bezeichnet) (im Lieferumfang enthalten)
- Montageschrauben × 3 (im Lieferumfang enthalten)
- Distanzstücke × 3 (im Lieferumfang enthalten)
- handelsübliche Senkkopfschrauben × 3
- Bohrer



VORSICHT : Senkkopfschrauben und Bohrer müssen sich für den Tischbaustoff eignen.

Der Einsatz von ungeeignetem Montagezubehör und Werkzeug kann Verletzungen oder Störungen sowie eine Beschädigung des Tisches verursachen.

1. Ein Loch im Tisch anbringen.

Das Loch muss einen Durchmesser von mindestens 25 mm aufweisen. Setzen Sie einen geeigneten Bohrer ein.



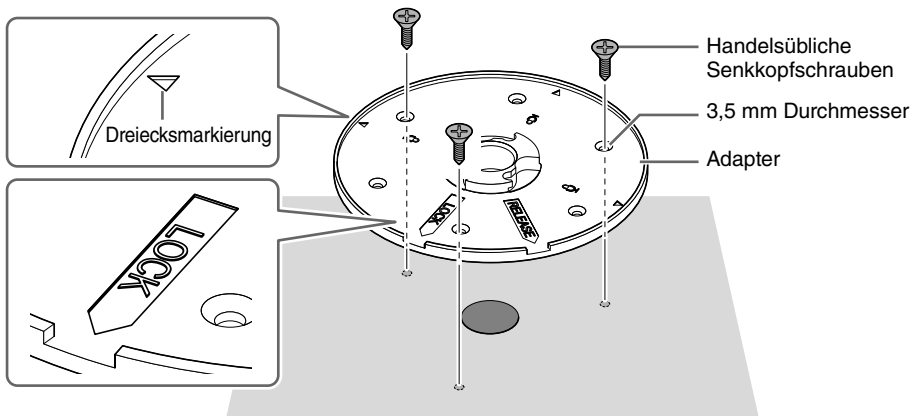
VORSICHT : Benutzen Sie zum Bohren von Löchern geeignete Werkzeuge. Der Einsatz von ungeeignetem Werkzeug kann Handverletzungen verursachen.

• Schützen Sie beim Bohren von Löchern Ihre Augen vor Staub und Spänen.

2. Setzen Sie den Adapter über das Loch im Tisch und befestigen Sie ihn mit drei handelsüblichen Senkkopfschrauben.

Der Durchmesser der Bohrungen für die Senkkopfschrauben muss 3,5 mm betragen.

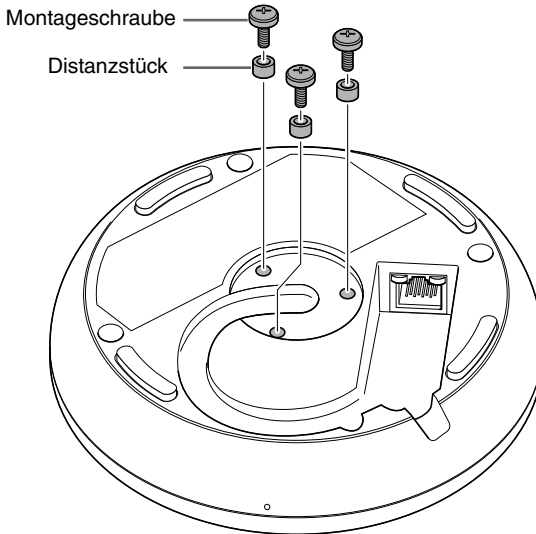
Der Adapter ist mit einer Markierung „LOCK“ (verriegeln) und drei Dreiecksmarkierungen versehen. Diese vier Markierungen deuten die Lage der Mikrofontasten/-anzeigen bei montiertem Gerät an. Richten Sie sich für die Ausrichtung des Adapters danach.



HINWEIS : Es stehen insgesamt sechs Bohrungen für die Senkkopfschrauben zur Verfügung. Benutzen Sie drei Beliebig.

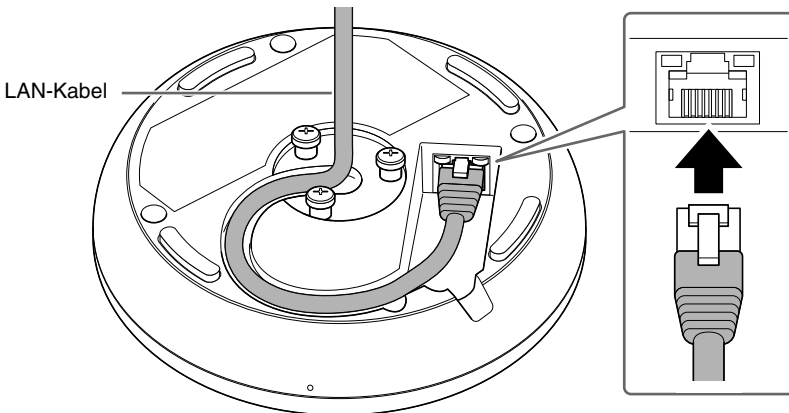
3. Nehmen Sie die Abdeckung von der Unterseite dieses Geräts ab und bringen Sie dann drei Montageschrauben in den Montagebohrungen an.

Versehen Sie jede Schraube mit einem Distanzstück.



4. Verbinden Sie das LAN-Kabel mit der Buchse Dante/PoE.

Wie unten gezeigt durch die Kabelführungsaussparung verlegen.

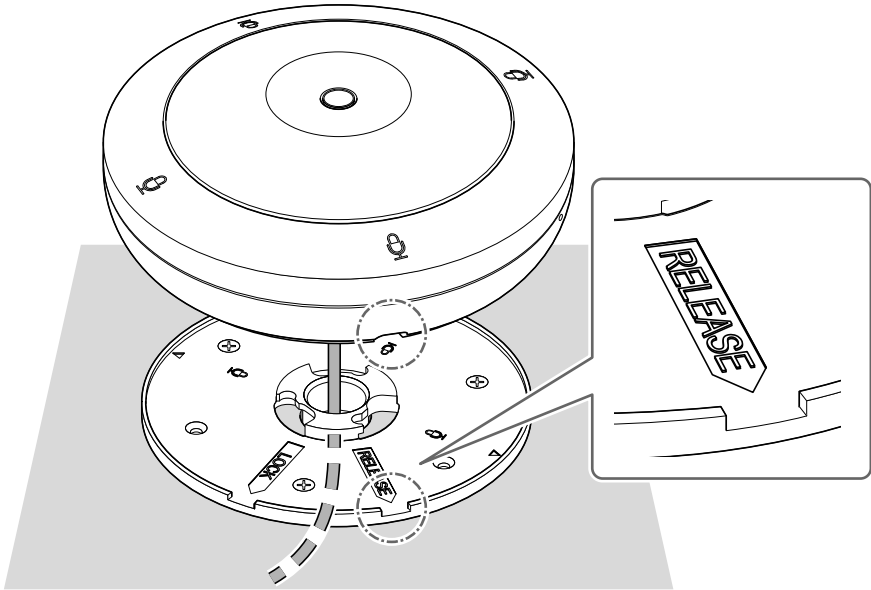


ACHTUNG : Verwenden Sie ein STP (Shielded Twisted Pair)-Kabel, um elektromagnetische Störungen zu verhindern.

: Wurde das LAN-Kabel von der Buchse Dante/PoE abgezogen, mindestens fünf Sekunden warten, bevor es wieder eingesteckt wird. Anderenfalls könnte Beschädigung oder Störung verursacht werden.

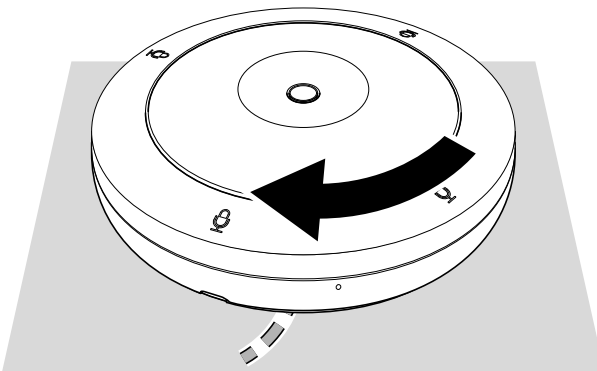
5. Führen Sie das LAN-Kabel durch die Mitte des Adapters und setzen Sie das Gerät dann auf den Adapter.

Der Adapter ist mit einer Markierung „RELEASE“ (entriegeln) versehen. Richten Sie die durch diese Markierung gekennzeichnete Aussparung im Adapter mit der Kabelführungsaussparung an der Geräteseite aus.



6. Drehen Sie das Gerät 45° (von oben gesehen) im Uhrzeigersinn.

Wenn die Montageschrauben im Adapter eingreifen, ist die Montage abgeschlossen.



HINWEIS: Das Gerät zum Abnehmen 45° gegen den Uhrzeigersinn drehen.

TECHNISCHE DATEN

Technische Daten – Allgemein

Abmessungen	B 140,0 mm × T 140,0 mm × H 40,0 mm (ausschließlich Vorsprünge)	
Gewicht	310 g	
Leistungsanforderungen	PoE (IEEE802.3af), 48 VDC	
Maximale Leistungsaufnahme	4,5 W	
Im Betrieb	Temperatur	0 °C – 40 °C
	Luftfeuchtigkeit	30% – 90% (nichtkondensierend)
Lagerung	Temperatur	–20 °C – 60 °C
	Luftfeuchtigkeit	20 % – 90% (nichtkondensierend)
Anzeigen	<ul style="list-style-type: none">• Mikrofon• Status• Netzwerkbuchse	
Zubehör	<ul style="list-style-type: none">• Tischmontageadapter : 1• Montageschraube : 3• Distanzstück : 3• (Vorliegendes) Installationshandbuch : 1	

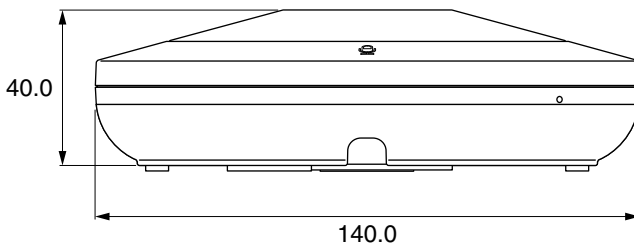
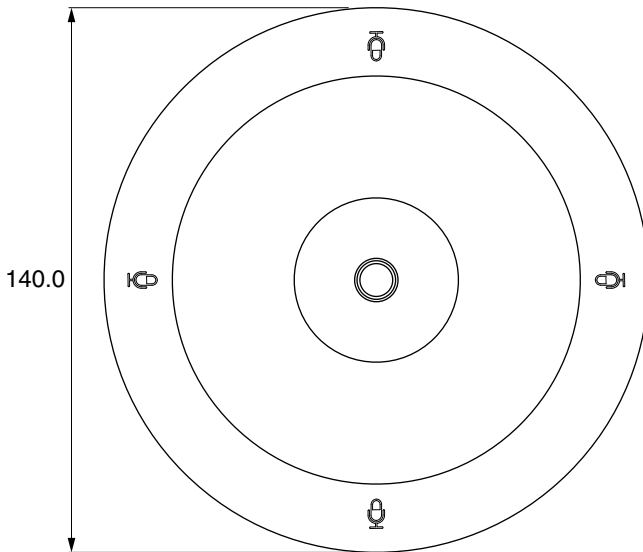
Technische Daten – Netzwerk

Buchse Dante/PoE	<ul style="list-style-type: none">• Dante-Audio/Dante-Steuerung• Fernbedienung• PoE• Kabelanforderungen: CAT5e oder höher, STP
------------------	---

Der Inhalt dieser Bedienungsanleitung gilt für die neuesten technischen Daten zum Zeitpunkt der Veröffentlichung. Um die neueste Version der Anleitung zu erhalten, rufen Sie die Website von Yamaha auf und laden Sie dann die Datei mit der Bedienungsanleitung herunter.

Maßbild

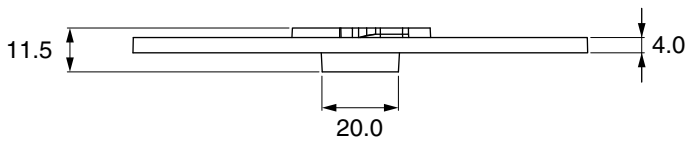
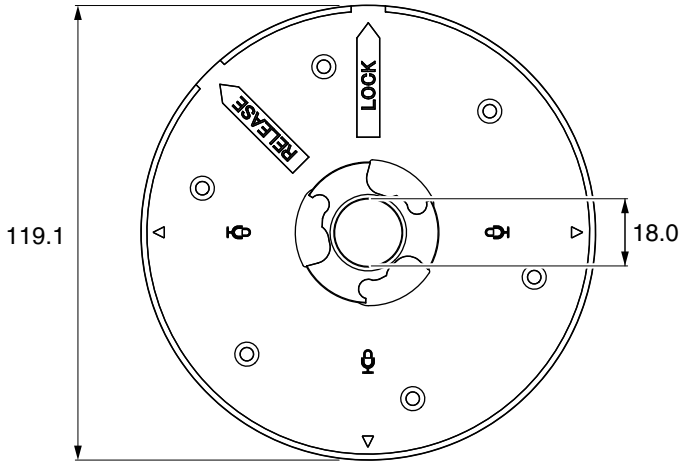
Vorliegendes Gerät



Einheit: mm

Tischmontageadapter

Deutsch



Einheit: mm

Verbraucherinformation zur Sammlung und Entsorgung alter Elektrogeräte



Befindet sich dieses Symbol auf den Produkten, der Verpackung und/oder beiliegenden Unterlagen, so sollten benutzte elektrische Geräte nicht mit dem normalen Haushaltsabfall entsorgt werden.

In Übereinstimmung mit Ihren nationalen Bestimmungen bringen Sie alte Geräte bitte zur fachgerechten Entsorgung, Wiederaufbereitung und Wiederverwendung zu den entsprechenden Sammelstellen.

Durch die fachgerechte Entsorgung der Elektrogeräte helfen Sie, wertvolle Ressourcen zu schützen, und verhindern mögliche negative Auswirkungen auf die menschliche Gesundheit und die Umwelt, die andernfalls durch unsachgerechte Müllentsorgung auftreten könnten.

Für weitere Informationen zum Sammeln und Wiederaufbereiten alter Elektrogeräte kontaktieren Sie bitte Ihre örtliche Stadt- oder Gemeindeverwaltung, Ihren Abfallentsorgungsdienst oder die Verkaufsstelle der Artikel.

Information für geschäftliche Anwender in der Europäischen Union:

Wenn Sie Elektrogeräte ausrangieren möchten, kontaktieren Sie bitte Ihren Händler oder Zulieferer für weitere Informationen.

Entsorgungsinformation für Länder außerhalb der Europäischen Union:

Dieses Symbol gilt nur innerhalb der Europäischen Union. Wenn Sie solche Artikel ausrangieren möchten, kontaktieren Sie bitte Ihre örtlichen Behörden oder Ihren Händler und fragen Sie nach der sachgerechten Entsorgungsmethode.

(weee_eu_de_02)

TABLE DES MATIÈRES

PRÉCAUTIONS D'USAGE	39
AVIS	41
INFORMATIONS	42
INTRODUCTION	44
Éléments inclus dans l'emballage.....	44
Manuels de référence	44
COMMANDES ET FONCTIONS	45
Panneau supérieur/panneau latéral	45
Panneau inférieur.....	46
MONTAGE SUR UNE TABLE	47
Sans montage sur une table	47
Montage sur une table	48
SPÉCIFICATIONS PRINCIPALES	51
Schéma dimensionnel.....	52

Le numéro de modèle, le numéro de série, l'alimentation requise, etc., se trouvent sur ou près de la plaque signalétique du produit, située dans la partie inférieure de l'unité. Notez le numéro de série dans l'espace fourni ci-dessous et conservez ce manuel en tant que preuve permanente de votre achat afin de faciliter l'identification du produit en cas de vol.

N° de modèle

N° de série

(bottom_fr_01)

PRÉCAUTIONS D'USAGE

LISEZ ATTENTIVEMENT CES INFORMATIONS AVANT L'INSTALLATION

Conservez ce manuel en lieu sûr pour toute référence ultérieure.

Yamaha ne peut être tenu responsable des dommages matériels causés par une mauvaise manipulation ou des modifications du produit, ou de la perte ou destruction de données.



AVERTISSEMENT

Respectez toujours les précautions élémentaires énumérées ci-dessous afin d'éviter les risques de blessures graves ou même mortelles causées par une électrocution, un court-circuit, des dommages, un incendie ou d'autres risques. Ces précautions incluent mais sans s'y limiter les risques suivants:

Prévention contre les incendies

- Ne placez pas d'objets brûlants ou de flammes nues à proximité du produit, au risque de provoquer un incendie.



ATTENTION

Respectez toujours les précautions élémentaires énumérées ci-dessous afin d'éviter les risques de blessures corporelles pour l'utilisateur ou d'autres personnes. Ces précautions incluent mais sans s'y limiter les risques suivants:

En cas d'anomalie

- Si un des problèmes suivants survient, débranchez immédiatement le câble réseau du produit.
 - Le câble réseau est effiloché ou endommagé.
 - Le produit émet une odeur bizarre ou de la fumée.
 - Un objet ou de l'eau a pénétré à l'intérieur du produit.
 - Des fissures ou d'autres dommages sont visibles sur le produit.Faites immédiatement inspecter ou réparer le produit par un technicien Yamaha qualifié.

N'ouvrez pas le boîtier du produit.

- Ce produit ne contient aucun composant réparable par l'utilisateur. N'essayez jamais de démonter ni de modifier de quelque manière les composants internes.

Avertissement relatif à la présence d'eau

- N'exposez pas le produit à la pluie, ne l'utilisez pas près d'une source d'eau ou dans un milieu humide et ne déposez pas dessus des récipients (tels que des vases, des bouteilles ou des verres) contenant des liquides qui risqueraient de s'infiltrer par les ouvertures.

Emplacement et connexions

- Quand vous reliez ce produit à un injecteur PoE ou un commutateur de réseau PoE, utilisez un câble réseau compatible PoE. La connexion d'un câble non conforme à ces spécifications ou d'un câble de type plat pourrait causer un dysfonctionnement ou un incendie.
- N'endommagez pas le câble réseau. Le non-respect de cette consigne peut causer un incendie, une électrocution ou un endommagement du produit.
 - Ne posez pas d'objets lourds sur le câble.
 - Ne modifiez pas le câble de quelque manière que ce soit.
 - Ne fixez pas le câble à l'aide d'agrafes.
 - N'exercez pas une force excessive sur le câble.
 - Veillez à garder le câble à l'écart de toute source de chaleur.
- Ne posez pas le produit sur une surface instable ou soumise à de fortes vibrations, car il risquerait de tomber et de causer des blessures.
- Conservez ce produit hors de portée des enfants. N'utilisez pas ce produit dans des endroits où il serait à la portée des enfants.
- Ne placez pas le produit dans un endroit où il pourrait entrer en contact avec des gaz corrosifs ou de l'air à haute teneur en sel. Cela pourrait provoquer des dysfonctionnements.
- N'acheminez pas un câble réseau dans des endroits où quelqu'un risquerait de trébucher dessus. Si une personne se prend le pied dans un câble, elle risquerait de tomber et/ou de faire tomber le produit, causant d'éventuelles blessures corporelles ou un endommagement du produit.
- Avant de déplacer le produit, débranchez le câble réseau connecté.
- Installez l'appareil en suivant les consignes de ce manuel. Une chute de l'appareil pourrait causer des blessures ou des dommages.
- Assurez-vous que l'appareil est installé de manière stable et sûre. Veillez en outre à effectuer régulièrement des contrôles de sécurité. Le non-respect de cette consigne risque d'entraîner la chute des appareils et de causer des blessures.
- Si le montage du produit requiert des travaux, demandez toujours conseil au préalable à un technicien Yamaha qualifié. Une installation incorrecte pourrait causer des accidents, des blessures ainsi qu'un endommagement ou dysfonctionnement du produit.

Précautions d'utilisation

- Ne posez pas d'objets lourds et ne reposez jamais le poids de votre corps sur le produit.

AVIS

Pour éviter les risques de dysfonctionnement/d'endommagement du produit, la perte de données ou des dommages matériels, suivez les consignes ci-dessous.

Manipulation et entretien

- N'utilisez pas le produit à proximité d'un téléviseur, d'une radio ou d'autres appareils électriques. La proximité du téléviseur, de la radio ou d'autres appareils risquerait de générer du bruit.
- N'installez pas le produit dans un endroit exposé à des champs magnétiques puissants. Sinon, cela pourrait causer un dysfonctionnement du produit.
- N'exposez pas le produit à une poussière ou des vibrations excessives, ni à des températures très élevées ou très basses pour éviter un endommagement de la finition, un fonctionnement instable ou un endommagement des composants internes.
- N'utilisez pas le produit dans des endroits soumis à des changements extrêmes de température. Sinon, la formation de condensation à l'intérieur ou à la surface extérieure du produit pourrait l'endommager.
- Si vous suspectez la présence de condensation, laissez le produit hors tension pendant plusieurs heures jusqu'à ce que la condensation ait complètement disparu, afin d'éviter les risques de dommages.
- N'utilisez pas de câble réseau qui entre en contact avec le boîtier du produit ou exerce une force excessive sur le connecteur.
- Ne touchez jamais l'intérieur d'un connecteur et n'y insérez jamais aucun objet métallique.
- Ne posez pas d'objets en vinyle, plastique ou caoutchouc sur le produit, car cela pourrait altérer ou décolorer sa finition.
- Utilisez un chiffon doux et sec pour le nettoyage du produit. N'utilisez jamais de diluant à peinture, de solvant, de liquide de nettoyage ni de chiffon de lavage chimique, car cela pourrait altérer ou décolorer la finition du boîtier.



INFORMATIONS

À propos des fonctions/données fournies avec le produit

- Avertissement: Le fonctionnement de ce produit dans une zone résidentielle pourrait causer des interférences radio.
- Ce produit exploite le logiciel Dante Ultimo. Pour des détails sur les licences Open Source de ce logiciel, consultez le site Internet d'Audinate (en anglais).
<https://www.audinate.com/software-licensing>
Consultez le site Internet suivant pour des informations sur les conditions de licence du logiciel libre utilisé avec ce produit.
États-Unis et Canada
<https://uc.yamaha.com/support/>
Autres pays
<https://download.yamaha.com/>

À propos de ce manuel

- Dans ce manuel, les informations importantes sont repérées par les intitulés suivants:

 AVERTISSEMENT	Ce contenu indique « un risque de blessures graves ou de mort ».
 ATTENTION	Ce contenu indique « un risque de blessures ».
AVIS	Indique des consignes que vous devez respecter afin d'éviter toute défaillance, dommage ou dysfonctionnement du produit et toute perte de données.
IMPORTANT	Indique des informations cruciales pour une utilisation et un fonctionnement corrects du produit.
NOTE	Indique des informations complémentaires liées à l'utilisation et au fonctionnement du produit. Ces informations sont fournies pour votre référence.

- Les illustrations figurant dans ce manuel servent uniquement à expliciter les instructions.
- Les noms de société et les noms de produit mentionnés dans ce manuel sont des marques commerciales ou des marques déposées de leurs sociétés respectives.
- Yamaha apporte régulièrement des améliorations et offre des mises à jour du logiciel inclus dans ce produit. Vous pouvez télécharger la version la plus récente du logiciel sur le site internet de Yamaha.
- Toute copie non autorisée de ce document, partielle ou intégrale, est interdite.

À propos du transfert de propriété/de la mise au rebut

- Si vous transférez le produit à un tiers, veillez à lui fournir également ce manuel et les accessoires du produit.
- Ce produit contient des composants recyclables. Au moment de la mise au rebut de ce produit, veuillez contacter les autorités compétentes de votre région.

INTRODUCTION

Nous vous remercions d'avoir choisi le microphone de surface Yamaha RM-TT. Cet appareil est un microphone de table alimenté via PoE. Il prend en charge la norme Dante et peut être utilisé en combinaison avec le processeur de signaux RM-CR. Veuillez à lire entièrement ce manuel avant d'utiliser le produit.

Éléments inclus dans l'emballage

- Adaptateur pour montage sur table : 1
- Vis de montage : 3
- Entretoises : 3
- Manuel d'installation (ce document) : 1

Manuels de référence

- Pour des détails sur la connexion de cet appareil au processeur RM-CR, voyez le Manuel de référence du RM-CR.
- Pour des détails sur les fonctions et caractéristiques de cet appareil, voyez le Manuel de référence du RM-TT.

Ces deux documents sont disponibles sur le site internet de Yamaha.

États-Unis et Canada

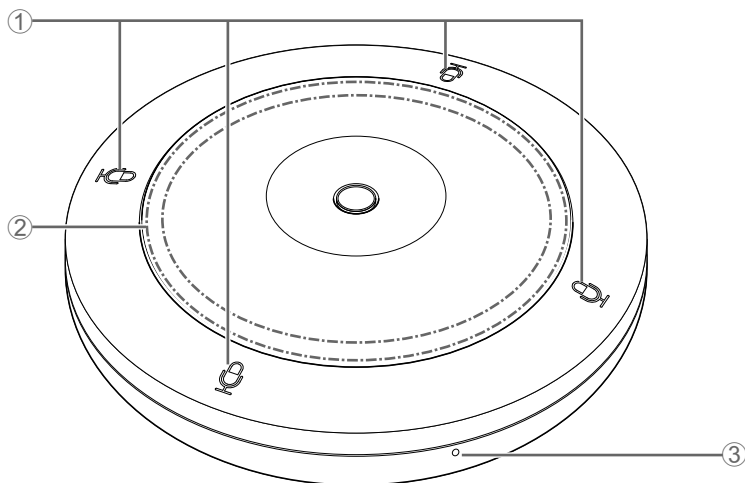
<https://uc.yamaha.com/support/>

Autres pays

<https://download.yamaha.com/>

COMMANDES ET FONCTIONS

Panneau supérieur/panneau latéral



① Boutons/témoins de micro

Chacun de ces boutons permet d'activer/de désactiver le microphone. Les quatre boutons/témoins fonctionnent en tandem.

Témoin de micro	Statut du microphone
Vert	Activé
Rouge	Désactivé

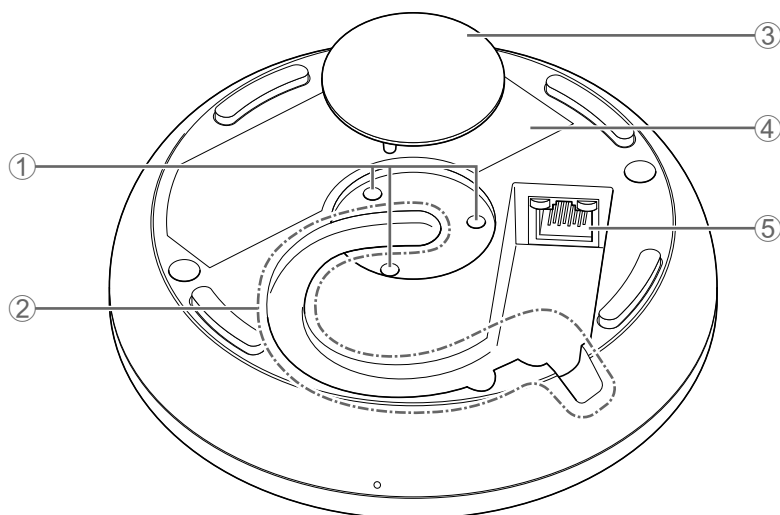
② Témoin de statut

Indique le statut de cette unité via une couleur et un motif de clignotement. Pour plus d'informations, reportez-vous au Manuel de référence du RM-TT.

③ Bouton de réinitialisation

Sert à initialiser les paramètres via une longue pression appliquée avec un objet à extrémité pointue.

Longue pression	Témoin de statut	Paramètres initialisés
Entre 4 et 8 secondes	Clignote en bleu deux fois par seconde (durant une longue pression/ l'initialisation)	Paramètres réseau
Entre 8 et 12 secondes	Clignote en bleu trois fois par seconde (durant une longue pression/ l'initialisation)	Tous les paramètres (redémarre automatiquement après l'initialisation)



① Orifices pour vis de montage

Servent à la mise en place des vis de montage.

② Passe-câble

Permet d'acheminer le câble réseau.

③ Cache

Retirez-le si vous installez cet appareil sur une table.

④ Étiquette de modèle

Fournit des informations sur cet appareil et des symboles de conformité à diverses normes.

⑤ Port Dante/PoE

Ce port RJ-45 permet de relier un câble réseau (CAT5e ou supérieur) via un injecteur PoE conforme IEEE802.3af ou le commutateur de réseau PoE à un dispositif Dante. Pour plus d'informations sur les injecteurs, reportez-vous au Manuel de référence du RM-TT.

AVIS : Ne connectez pas ce produit directement à un réseau WiFi public ni à un service internet. Connectez uniquement ce produit à l'internet via un routeur doté d'une protection via un mot de passe fort. Consultez le fabricant de votre routeur pour des informations sur la méthode offrant une sécurité optimale.

: Connectez exclusivement un dispositif compatible Dante ou prenant en charge gigabit Ethernet (y compris un ordinateur).

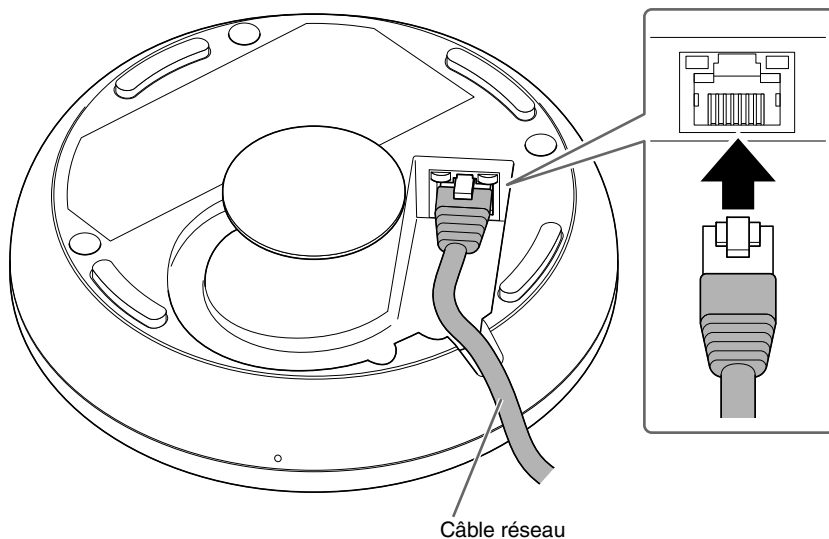
MONTAGE SUR UNE TABLE

Veillez à installer cet appareil en suivant les consignes de montage figurant dans ce manuel.

Sans montage sur une table

1. Branchez le câble réseau au port Dante/PoE.

Acheminez le câble dans le passe-câble comme illustré ci-dessous.



Français

AVIS : Utilisez un câble blindé à paires torsadées (STP) pour éviter les interférences électromagnétiques.

: Après avoir débranché le câble réseau du port Dante/PoE, attendez au moins cinq secondes avant de le rebrancher. Sinon, cela pourrait causer un endommagement ou un dysfonctionnement de l'appareil.

2. Posez l'appareil sur la table.

Le montage est terminé.

Montage sur une table

Préparez les éléments suivants.

- Cet appareil
- Adaptateur pour montage sur table (simplement désigné par le terme « adaptateur » dans la suite de ce document) (fourni)
- Vis de montage × 3 (fournies)
- Entretoises × 3 (fournies)
- Vis à tête plate disponibles dans le commerce × 3
- Perceuse-visseuse



ATTENTION : Veillez à utiliser des vis à tête plate et une perceuse (embout) adaptés aux matériaux de la table.

L'utilisation d'outils et de fixations inappropriés pourrait causer des blessures ou des dysfonctionnements, ainsi qu'un endommagement de la table.

1. Percez un trou dans la table.

Veillez à ce que le diamètre minimum du trou percé soit de 25 mm, et à utiliser un embout de perceuse approprié.



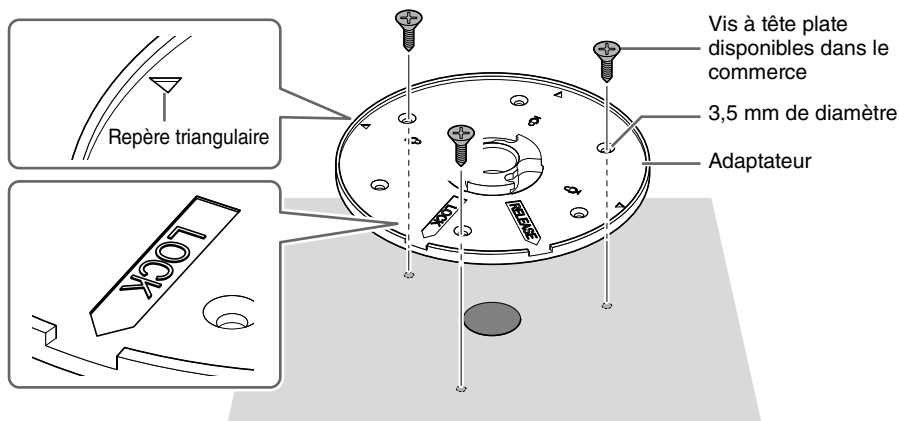
ATTENTION : Utilisez des outils appropriés pour percer les trous. L'utilisation d'outils inappropriés pourrait causer des blessures aux mains.

: Veillez à ne pas vous mettre de la poussière ni des débris dans les yeux lors du perçage des trous.

2. Placez l'adaptateur sur le trou percé dans la table et fixez-le à l'aide de trois vis à tête plate disponibles dans le commerce.

Le diamètre des orifices pour les vis à tête plate doit être de 3,5 mm.

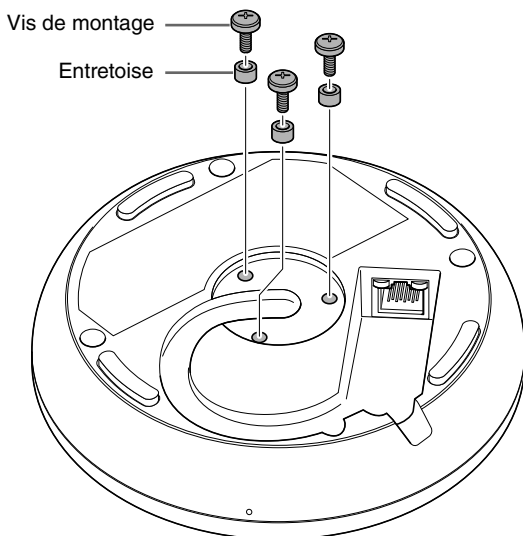
L'adaptateur comporte un repère LOCK et trois repères triangulaires. Ces quatre repères indiquent l'emplacement des boutons/témoins de micro de l'appareil monté. Utilisez ces repères comme guide pour le montage de l'adaptateur.



NOTE : L'adaptateur comporte six orifices (dont trois additionnels) pour vis à tête plate. Utilisez trois orifices au choix.

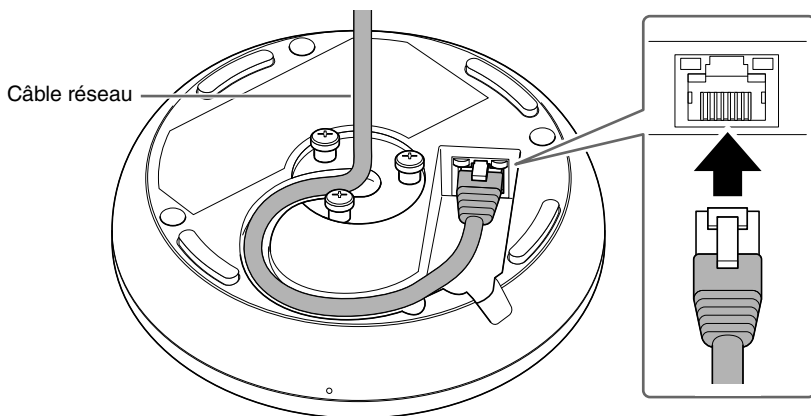
3. Retirez le cache du dessous de l'appareil, puis vissez trois vis de montage dans les orifices de montage de ce dernier.

Placez une entretoise sur chaque vis.



4. Branchez le câble réseau au port Dante/PoE.

Acheminez le câble dans le passe-câble comme illustré ci-dessous.

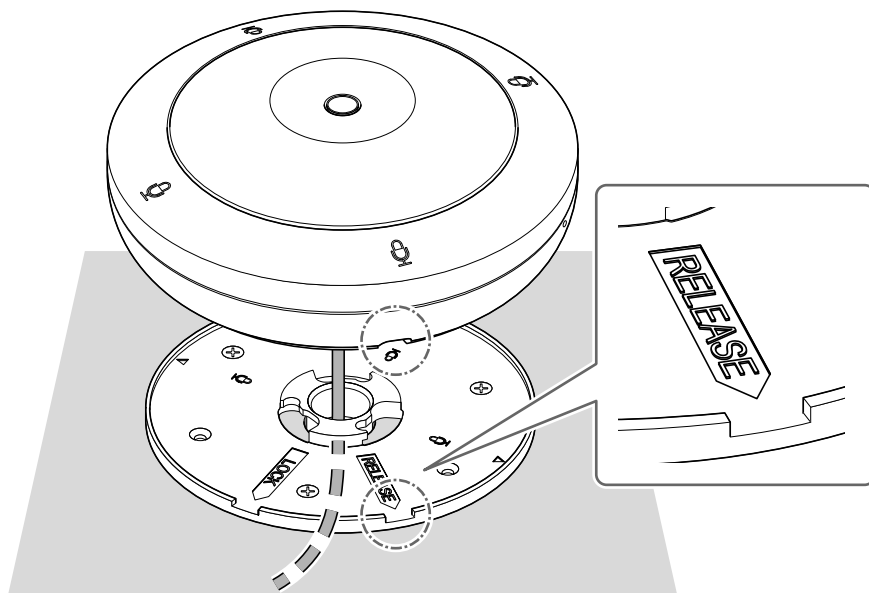


AVIS : Utilisez un câble blindé à paires torsadées (STP) pour éviter les interférence électromagnétiques.

: Après avoir débranché le câble réseau du port Dante/PoE, attendez au moins cinq secondes avant de le rebrancher. Sinon, cela pourrait causer un endommagement ou un dysfonctionnement de l'appareil.

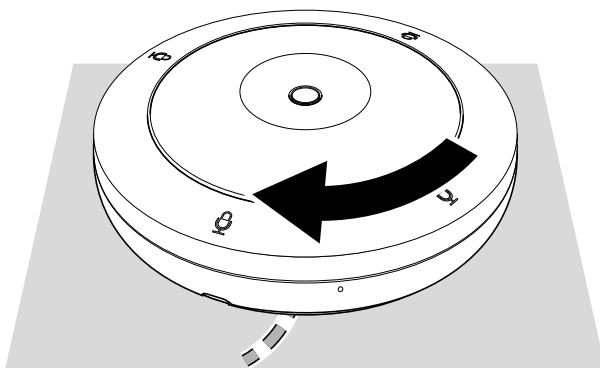
5. Faites passer le câble réseau dans le centre de l'adaptateur, puis placez l'appareil sur son adaptateur.

L'adaptateur comporte un repère RELEASE. Alignez l'encoche de l'adaptateur indiquée par ce repère avec l'encoche pour câble de l'appareil.



6. Faites pivoter l'appareil de 45° dans le sens des aiguilles d'une montre (angle observé depuis le dessus de l'appareil).

Les vis de montage sur l'appareil s'engagent alors dans l'adaptateur et le montage est terminé.



NOTE : Pour démonter l'appareil de son adaptateur, tournez l'appareil de 45° dans le sens contraire des aiguilles d'une montre.

SPÉCIFICATIONS PRINCIPALES

Spécifications générales

Dimensions		L 140,0 mm × P 140,0 mm × H 40,0 mm (sans les saillies)
Poids		310 g
Puissance requise		PoE (IEEE802.3af), 48 V CC
Consommation maximale		4,5 W
Durant le fonctionnement	Température	0 °C – 40 °C
	Humidité	30% – 90% (sans condensation)
Remisage	Température	-20 °C – 60 °C
	Humidité	20% – 90% (sans condensation)
Témoins		<ul style="list-style-type: none">• Micro• Statut• Port réseau
Accessoires		<ul style="list-style-type: none">• Adaptateur pour montage sur table : 1• Vis de montage : 3• Entretoise : 3• Manuel d'installation (ce document) : 1

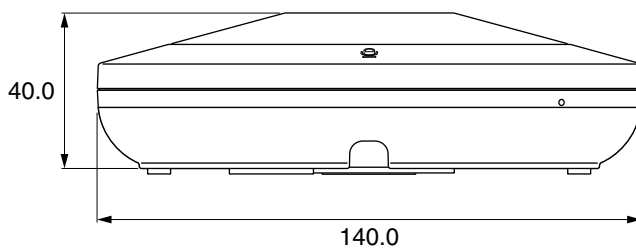
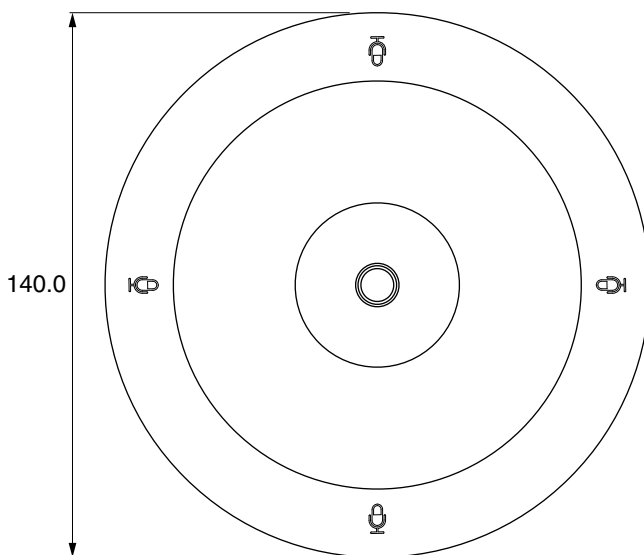
Spécifications réseau

Port Dante/PoE	<ul style="list-style-type: none">• Transmission du son et des commandes via Dante• Télécommande• PoE• Type de câble : CAT5e ou supérieur, STP
----------------	---

Le contenu de ce mode d'emploi s'applique aux dernières caractéristiques techniques connues à la date de publication du manuel. Pour obtenir la version la plus récente du manuel, accédez au site Web de Yamaha puis téléchargez le fichier du manuel concerné.

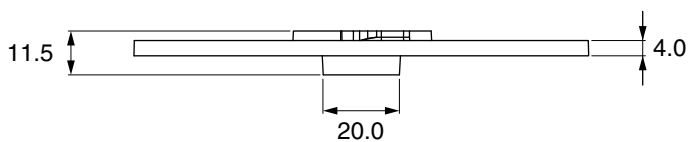
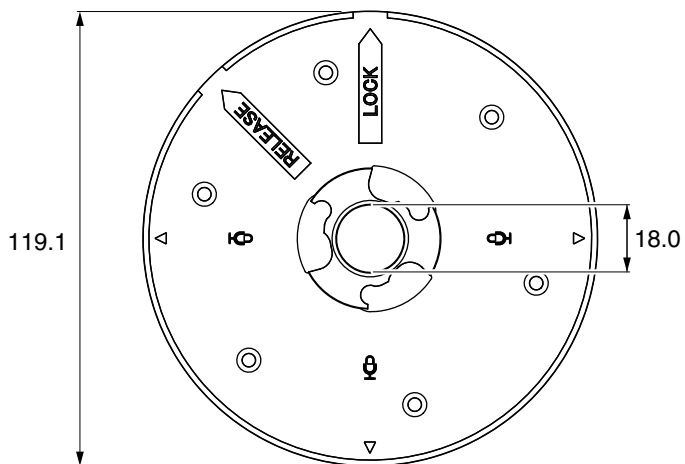
Schéma dimensionnel

Cet appareil



Unité : mm

Adaptateur pour montage sur table



Unité : mm

Informations concernant la collecte et le traitement des déchets d'équipements électriques et électroniques



Le symbole sur les produits, l'emballage et/ou les documents joints signifie que les produits électriques ou électroniques usagés ne doivent pas être mélangés avec les déchets domestiques habituels.

Pour un traitement, une récupération et un recyclage appropriés des déchets d'équipements électriques et électroniques, veuillez les déposer aux points de collecte prévus à cet effet, conformément à la réglementation nationale.

En vous débarrassant correctement des déchets d'équipements électriques et électroniques, vous contribuerez à la sauvegarde de précieuses ressources et à la prévention de potentiels effets négatifs sur la santé humaine qui pourraient advenir lors d'un traitement inapproprié des déchets.

Pour plus d'informations à propos de la collecte et du recyclage des déchets d'équipements électriques et électroniques, veuillez contacter votre municipalité, votre service de traitement des déchets ou le point de vente où vous avez acheté les produits.

Pour les professionnels dans l'Union européenne:

Si vous souhaitez vous débarrasser des déchets d'équipements électriques et électroniques, veuillez contacter votre vendeur ou fournisseur pour plus d'informations.

Informations sur la mise au rebut dans d'autres pays en dehors de l'Union européenne:

Ce symbole est seulement valable dans l'Union européenne. Si vous souhaitez vous débarrasser de déchets d'équipements électriques et électroniques, veuillez contacter les autorités locales ou votre fournisseur et demander la méthode de traitement appropriée.

(weee_eu_fr_02)

CAN ICES-3 (A)/NMB-3(A)

(can_a_02)

CONTENIDO

PRECAUCIONES	57
AVISO	59
INFORMACIÓN	60
INTRODUCCIÓN	62
Elementos incluidos	62
Manuales de referencia.....	62
CONTROLES Y FUNCIONES.....	63
Panel superior/panel lateral	63
Panel inferior	64
INSTALACIÓN SOBRE UNA MESA.....	65
Sin montaje sobre la mesa	65
Cuando se monta sobre la mesa	66
ESPECIFICACIONES PRINCIPALES	69
Diagrama de dimensiones	70

El número de modelo, el número de serie, los requisitos de alimentación, etc. pueden encontrarse en la placa de identificación o cerca de ella. Esta placa se encuentra en la parte inferior de la unidad. Debe anotar dicho número en el espacio proporcionado a continuación y conservar este manual como comprobante permanente de su compra para facilitar la identificación en caso de robo.

Nº de modelo

Nº de serie

(bottom_es_01)

PRECAUCIONES

LEA ATENTAMENTE LA SIGUIENTE INFORMACIÓN ANTES DE CONTINUAR.

Conserve este manual en un lugar seguro como referencia futura.

Yamaha no se hace responsable de los daños causados por un uso inapropiado o modificaciones del producto, ni de los datos perdidos o destruidos.



ADVERTENCIA

Siga siempre las precauciones básicas descritas a continuación para evitar la posibilidad de lesiones graves o mortales por descarga eléctrica, cortocircuito, daños, incendio u otros peligros. Entre estas precauciones se incluyen, entre otras, las siguientes:

Advertencia sobre el contacto con fuego

- No coloque objetos ardientes ni llamas abiertas cerca del producto, ya que existe riesgo de incendio.



ATENCIÓN

Siga siempre las precauciones básicas descritas a continuación para evitar la posibilidad de que usted u otras personas sufran lesiones físicas. Entre estas precauciones se incluyen, entre otras, las siguientes:

Si observa cualquier anomalía

- Si se produce cualquiera de los siguientes problemas, desconecte de inmediato el cable LAN del producto.
 - El cable LAN se deshilacha o se estropea.
 - Se emiten humo u olores inusuales.
 - Un objeto o agua han caído al interior del producto.
 - Aparecen grietas u otros daños visibles en el producto.
- Pida al Servicio técnico cualificado de Yamaha que inspeccione o repare el producto.

No abrir

- Este producto no contiene piezas que pueda reparar el usuario. No intente desmontar las piezas internas ni modificarlas de manera alguna.

Atención sobre agua

- No esponga el producto a la lluvia, ni lo use cerca del agua o en lugares donde haya mucha humedad o donde pueda gotear agua, ni le ponga encima recipientes (como jarrones, botellas o vasos) que contengan líquido, ya que podrían derramarse y penetrar por las aberturas.

Ubicación y conexión

- Al conectar este producto con un inyector PoE o un conmutador de red con PoE, utilice un cable LAN que admita PoE. Si conecta un cable que no cumpla las especificaciones, o si conecta un cable de tipo plano o delgado, puede producirse un incendio o fallos de funcionamiento.
- Evite dañar el cable LAN. Si no se cumple esta precaución, puede producirse un incendio, una descarga eléctrica o daños en el producto.
 - No coloque objetos pesados sobre el cable.
 - No modifique el cable de ninguna manera.
 - No utilice grapas para fijar el cable en su lugar.
 - No aplique una fuerza excesiva sobre el cable.
 - Asegúrese de mantener el cable alejado de cualquier objeto caliente.
- No coloque el producto en una posición inestable o en una ubicación con vibraciones excesivas, donde pueda caerse accidentalmente y provocar lesiones.
- Mantenga este producto fuera de alcance de los niños. Este producto no es adecuado para su uso en lugares donde es probable que haya niños.
- No coloque el producto en un lugar donde pueda entrar en contacto con gases corrosivos o aire salobre. Si ocurriera, podría dar lugar a un funcionamiento defectuoso.
- No coloque un cable LAN donde alguien pueda tropezar con él, como en un lugar por donde pase gente. Al tropezar con un cable, la persona o el producto se pueden caer, lo que provocará lesiones personales o daños en el producto.
- Antes de trasladar el producto, retire el cable LAN conectado.
- Instale esta unidad siguiendo las instrucciones del manual. Si se cae puede causar lesiones o daños.
- Una vez terminada la instalación, confirme que es segura y fiable. Realice también inspecciones de seguridad periódicamente. De lo contrario, los dispositivos podrían caerse y provocar lesiones.
- Consulte siempre con el Servicio técnico cualificado de Yamaha si para la instalación del producto es necesario realizar trabajos de construcción. La instalación incorrecta puede provocar accidentes, lesiones, daños o fallos de funcionamiento de este producto.

Precauciones de uso

- No se apoye en el producto ni coloque objetos pesados encima.

AVISO

Para evitar la posibilidad de un fallo de funcionamiento o de que se produzcan daños en el producto, en los datos o en otros objetos, siga los avisos que se indican a continuación.

Manipulación y mantenimiento

- No utilice el producto cerca de televisores, radios u otros aparatos eléctricos. De lo contrario, el aparato, el televisor o la radio podrían generar ruido.
- No instale el producto en una ubicación en la que los campos magnéticos sean intensos. De lo contrario, podría provocar un fallo de funcionamiento del producto.
- No esponga el producto a un exceso de polvo o vibraciones, ni a calor o frío intensos, para evitar la posibilidad de que se deforme, de que se dañen los componentes internos o de un funcionamiento inestable.
- No lo coloque en lugares con cambios de temperatura acusados. De lo contrario, puede formarse condensación en el interior o en la superficie del producto, lo que provocará su rotura.
- Si hay motivos para creer que se ha producido condensación, deje el producto apagado durante varias horas hasta que la condensación se haya secado por completo, para evitar posibles daños.
- No utilice un cable LAN que entre en contacto con la caja del producto ni aplique fuerza excesiva al conector.
- No toque el interior de un puerto con los dedos o con objetos metálicos.
- No coloque objetos de vinilo, plástico o goma sobre el producto, ya que podrían alterarlo o decolorarlo.
- Cuando limpie el producto, utilice un paño seco y suave. No use diluyentes de pintura, disolventes, líquidos limpiadores ni paños impregnados con productos químicos, ya que podrían provocar alteraciones o decoloración.

INFORMACIÓN

Acerca de las funciones/datos incluidos con el producto

- Advertencia: El uso de este producto en un entorno residencial podría provocar interferencias de radio.
- Este producto utiliza el chip Dante Ultimo. Consulte el sitio web de Audinate (en inglés) para ver información detallada sobre las licencias de código abierto del software concreto.
<https://www.audinate.com/software-licensing>

Consulte en el sitio web que figura a continuación para ver las condiciones de licencia del software de código abierto utilizado en este producto.

EE. UU. y Canadá



<https://uc.yamaha.com/support/>

Otros países

<https://download.yamaha.com/>

Acerca de este manual

- Este manual utiliza las siguientes palabras indicadoras para la información importante:

 ADVERTENCIA	Este contenido está relacionado con “riesgo de lesiones graves o muerte”.
 ATENCIÓN	Este contenido está relacionado con “riesgo de lesiones”.
AVISO	Indica contenido que debe cumplir para evitar fallos de funcionamiento, daños o un funcionamiento incorrecto del producto, así como para evitar la pérdidas de datos.
IMPORTANTE	Indica contenido que debe conocer para operar y utilizar el producto correctamente.
NOTA	Indica información relacionada con el funcionamiento y el uso. Lea este contenido como referencia.

- Las ilustraciones que se muestran en este manual son únicamente orientativas.
- Los nombres de empresas y productos utilizados en este manual son marcas comerciales o marcas comerciales registradas de sus respectivos titulares.
- Yamaha realiza constantemente mejoras y actualizaciones del software incluido en este producto. Puede descargar el software más reciente en el sitio web de Yamaha.
- Se prohíbe la copia parcial o total no autorizada de este documento.

Acerca de la transferencia/eliminación

- Si transfiere el producto a un tercero, incluya este manual y los accesorios.
- Este producto contiene componentes reciclables. Para desechar este producto, póngase en contacto con las autoridades locales correspondientes.

INTRODUCCIÓN

Gracias por adquirir el micrófono de diadema RM-TT de Yamaha. Esta unidad es un micrófono de sobremesa alimentado con PoE. Es compatible con Dante y se puede usar en combinación con el procesador de señales RM-CR. Asegúrese de leer este manual antes de utilizar la unidad.

Elementos incluidos

- Adaptador de montaje en sobremesa : 1
- Tornillos de montaje : 3
- Espaciadores : 3
- Manual de instalación (este documento) : 1

Manuales de referencia

- Para ver detalles sobre cómo conectar esta unidad al RM-CR, consulte el Manual de referencia del RM-CR.
- Para ver detalles sobre las funciones y especificaciones de esta unidad, consulte el Manual de referencia del RM-TT.

Ambas publicaciones están disponibles en el sitio web de Yamaha.

EE. UU. y Canadá

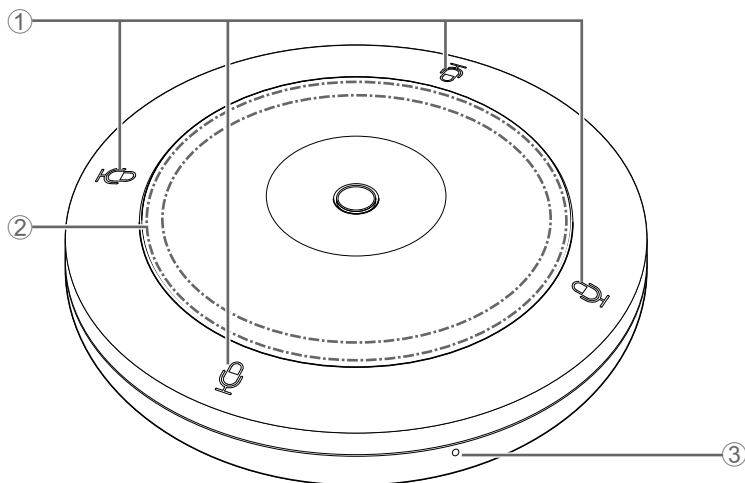
<https://uc.yamaha.com/support/>

Otros países

<https://download.yamaha.com/>

CONTROLES Y FUNCIONES

Panel superior/panel lateral



① Botones/indicadores de micrófono

Toque un botón para encender/apagar el micrófono. Los cuatro botones/indicadores funcionan juntos.

Indicador del micrófono	Estado del micrófono
Verde	ON
Rojo	OFF

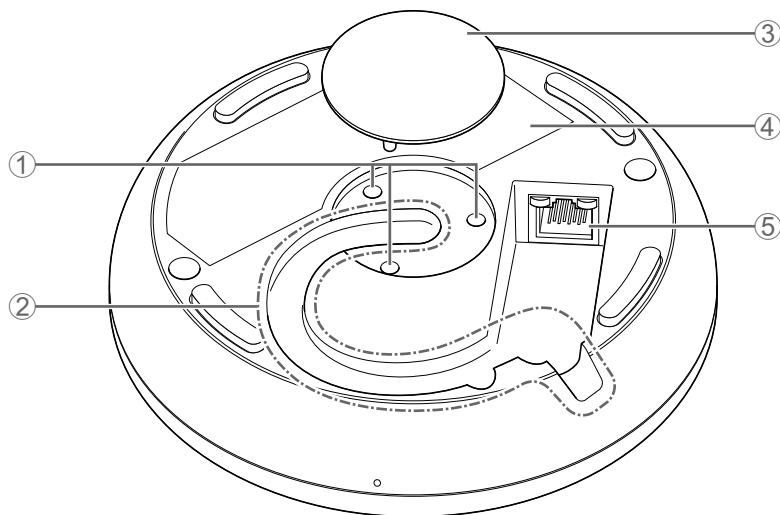
② Indicador de estado

Indica el estado de esta unidad con un patrón de parpadeo y colores. Para conocer más detalles, consulte el Manual de referencia del RM-TT.

③ Botón de restablecimiento

Se utiliza para restablecer los ajustes realizando una pulsación larga con un objeto acabado en una punta fina y luego soltándolo.

Pulsación larga	Indicador de estado	Objetivo de restablecimiento
Entre 4 segundos y menos de 8 segundos	Parpadea en azul dos veces por segundo (durante la pulsación larga/ restablecimiento)	Ajustes relacionados con la red
Entre 8 segundos y menos de 12 segundos	Parpadea en azul tres veces por segundo (durante la pulsación larga/ restablecimiento)	Todos los ajustes (se reinicia automáticamente tras el restablecimiento)



① Orificios de tornillos de montaje

Se utilizan para instalar los tornillos de montaje.

② Ranura para cables

Se utiliza para pasar el cable LAN.

③ Tapa

Retírela al montar esta unidad sobre una mesa.

④ Etiqueta del producto

Proporciona información sobre esta unidad y marcas de conformidad con diversas normas.

⑤ Puerto Dante/PoE

Se trata de un puerto RJ-45 al que puede conectar un cable LAN (CAT5e o superior) a través de un inyector PoE conforme a la norma IEEE802.3af o el conmutador de red con PoE a una unidad Dante. Para conocer más detalles sobre los inyectores, consulte el Manual de referencia del RM-TT.

AVISO : No conecte este producto directamente a una Wi-Fi pública o a un servicio de Internet. Conecte este producto a Internet solo a través de un enrutador que tenga una contraseña de alta seguridad. Consulte al fabricante del enrutador para obtener más información sobre las prácticas de seguridad óptimas.

: Conecte exclusivamente un dispositivo compatible con Dante o un dispositivo (incluido un ordenador) que admita Gigabit Ethernet.

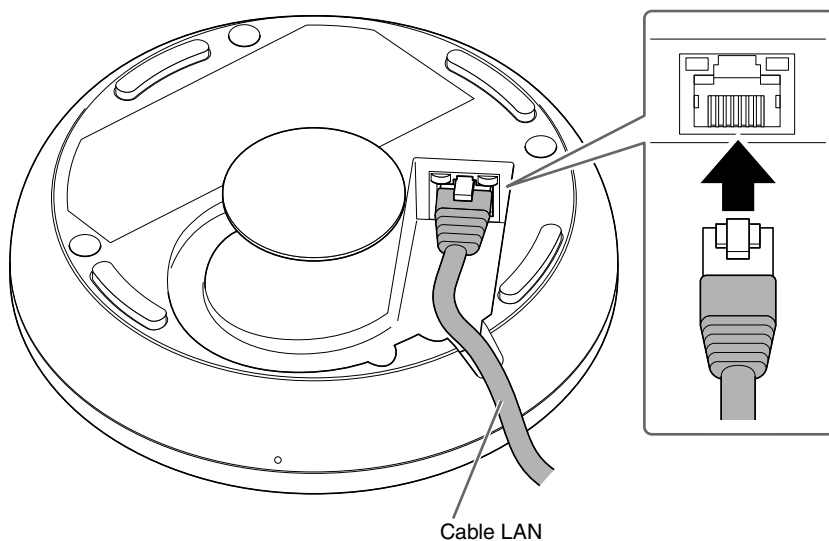
INSTALACIÓN SOBRE UNA MESA

Asegúrese de instalar esta unidad siguiendo los métodos descritos en este manual.

Sin montaje sobre la mesa

1. Conecte el cable LAN al puerto Dante/PoE.

Páselo por la ranura para cables como se muestra a continuación.



Español

AVISO : Utilice el cable STP (par trenzado blindado) para evitar interferencias electromagnéticas.

: Al desconectar el cable LAN del puerto Dante/PoE, espere al menos cinco segundos antes de volver a conectar el cable. De lo contrario, se pueden producir daños o fallos de funcionamiento.

2. Coloque esta unidad sobre la mesa.

Con esto finaliza la instalación.

Cuando se monta sobre la mesa

Prepare lo siguiente.

- Esta unidad
- Adaptador de montaje en sobremesa (en adelante denominado adaptador) (incluido)
- Tornillos de montaje × 3 (incluidos)
- Espaciadores × 3 (incluidos)
- Tornillos avellanados disponibles comercialmente × 3
- Taladro



ATENCIÓN : Asegúrese de usar tornillos avellanados y una broca que sean adecuados para el material de la mesa.

El uso de tornillos y herramientas no adecuados puede provocar lesiones, fallos de funcionamiento o daños a la mesa.

1. Taladre un orificio en la mesa.

El orificio debe tener un diámetro mínimo de 25 mm. Utilice una broca apropiada.



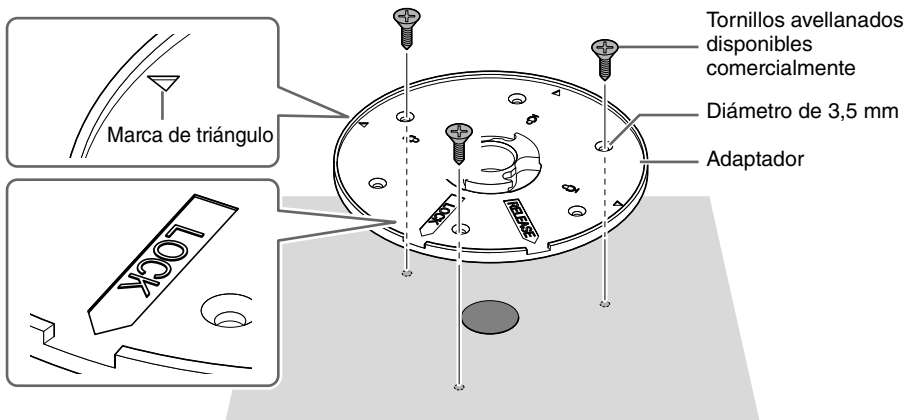
ATENCIÓN : Utilice las herramientas adecuadas al hacer los orificios. El uso de herramientas no adecuadas puede provocar lesiones en las manos.

: Al hacer los orificios, evite que le caigan restos o polvo en los ojos.

2. Coloque el adaptador sobre el orificio de la mesa y asegúrelo con tres tornillos avellanados disponibles comercialmente.

El diámetro de los orificios para los tornillos avellanados debe ser de 3,5 mm.

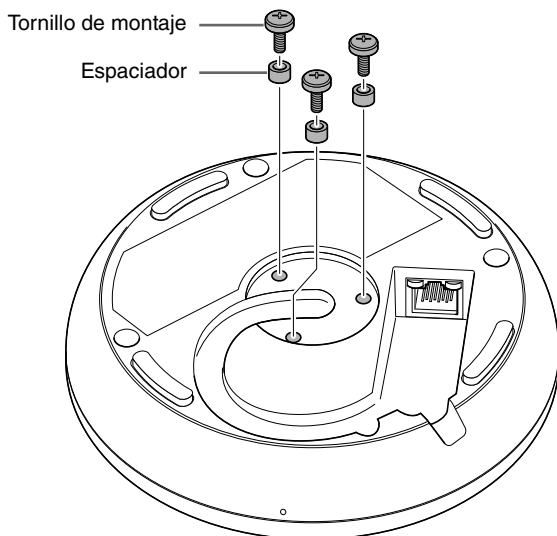
En el adaptador figura una marca LOCK y tres marcas de triángulo. Estas cuatro marcas indican la orientación de los botones/indicadores del micrófono cuando la unidad ya se ha instalado. Utilícelas como referencia para determinar la orientación del adaptador.



NOTA : Hay seis orificios (incluidos los de repuesto) para los tornillos avellanados. Utilice los tres que prefiera.

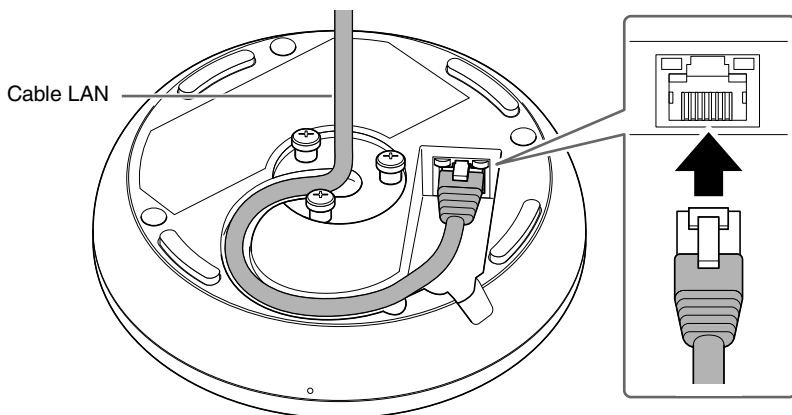
3. Retire la tapa de la parte inferior de esta unidad y luego instale tres tornillos de montaje a través de los orificios de montaje.

Coloque un espaciador en cada tornillo.



4. Conecte el cable LAN al puerto Dante/PoE.

Páselo por la ranura para cables como se muestra a continuación.

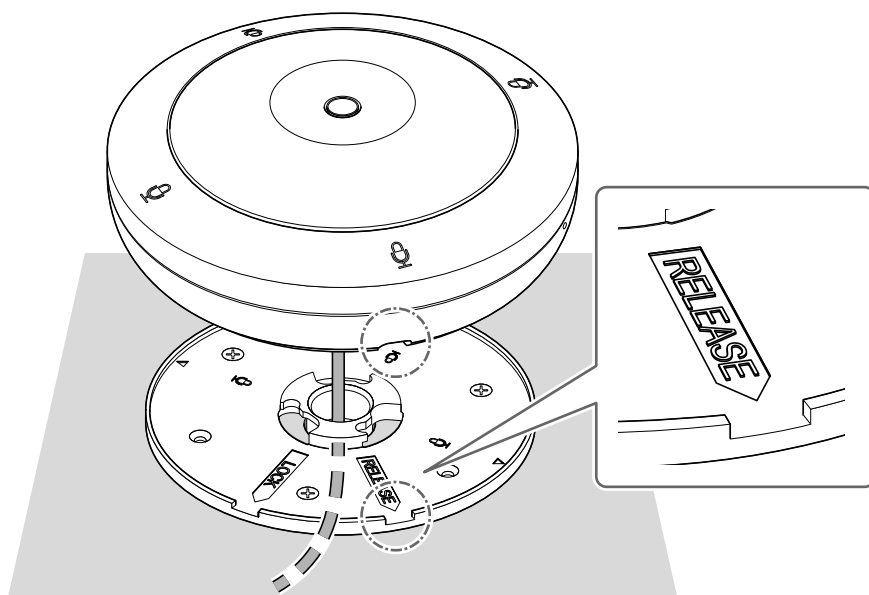


AVISO : Utilice el cable STP (par trenzado blindado) para evitar interferencias electromagnéticas.

: Al desconectar el cable LAN del puerto Dante/PoE, espere al menos cinco segundos antes de volver a conectar el cable. De lo contrario, se pueden producir daños o fallos de funcionamiento.

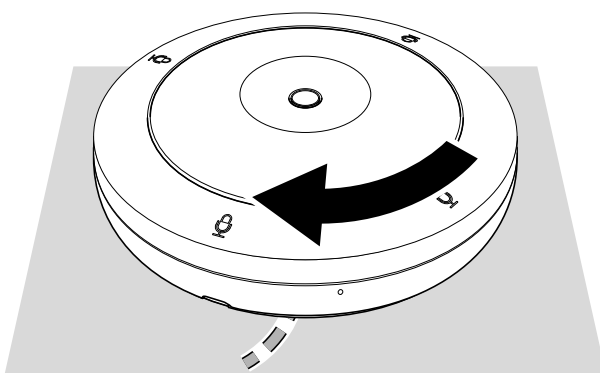
5. Pase el cable LAN por el centro del adaptador y luego coloque esta unidad en el adaptador.

En el adaptador figura una marca RELEASE. Alinee la muesca del adaptador indicada por esa marca con la ranura para cables en el lateral de la unidad.



6. Gire la unidad 45° en el sentido de las agujas del reloj (vista desde arriba).

Una vez enganchados los tornillos de montaje y el adaptador, la instalación ha finalizado.



NOTA : Para retirar la unidad, gírela 45° en sentido contrario a las agujas del reloj.

ESPECIFICACIONES PRINCIPALES

Especificaciones generales

Dimensiones		An. 140,0 mm × Prof. 140,0 mm × Al. 40,0 mm (sin salientes)
Peso		310 g
Requisitos de alimentación		PoE (IEEE802.3af), CC 48 V
Consumo de potencia máximo		4,5 W
En funcionamiento	Temperatura	0 °C – 40 °C
	Humedad	30% – 90% (sin condensación)
Almacenamiento	Temperatura	-20 °C – 60 °C
	Humedad	20% – 90% (sin condensación)
Indicadores		<ul style="list-style-type: none">• Micrófono• Estado• Puerto de red
Accesorios		<ul style="list-style-type: none">• Adaptador de montaje en sobremesa : 1• Tornillo de montaje : 3• Espaciador : 3• Manual de instalación (este documento) : 1

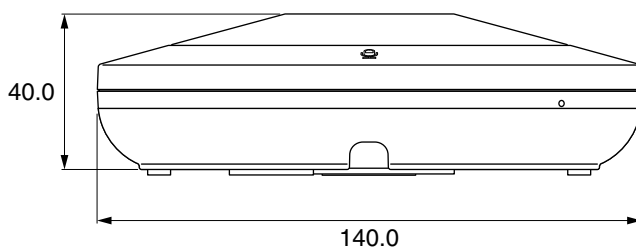
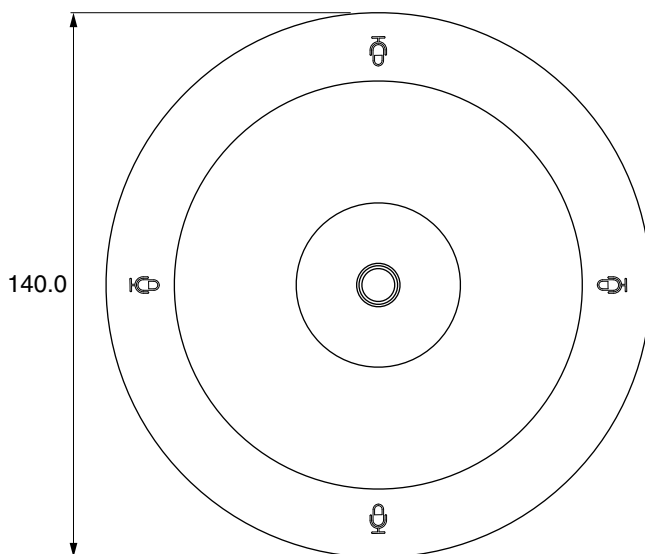
Especificaciones de red

Puerto Dante/PoE	<ul style="list-style-type: none">• Audio Dante/Control Dante• Mando a distancia• PoE• Requisitos de cable: CAT5e o superior, STP
------------------	--

El contenido de este manual se aplica a las últimas especificaciones según la fecha de publicación. Para obtener el último manual, acceda al sitio web de Yamaha y descargue el archivo del manual.

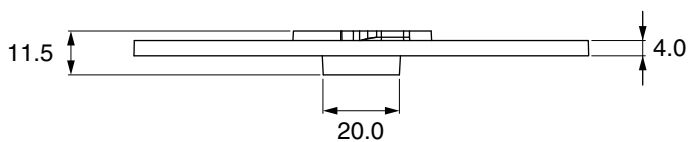
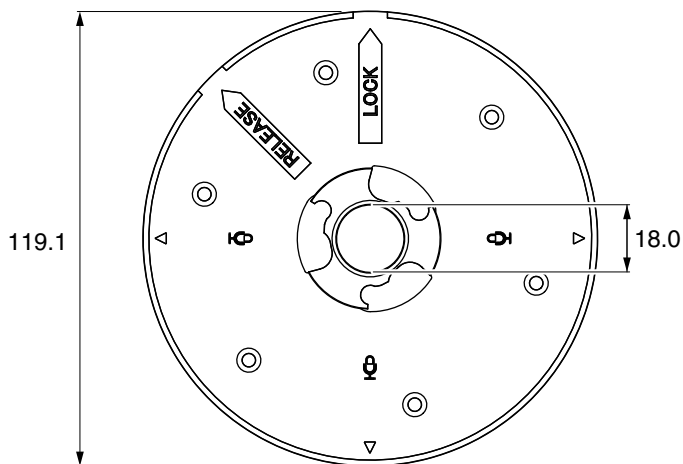
Diagrama de dimensiones

Esta unidad



Unidades: mm

Adaptador de montaje en sobremesa



Unidades: mm

Información para usuarios sobre la recogida y eliminación de los equipos antiguos



Este símbolo en los productos, embalajes y documentos anexos significa que los productos eléctricos y electrónicos no deben mezclarse con los desperdicios domésticos normales.

Para el tratamiento, recuperación y reciclaje apropiados de los productos antiguos, llévelos a puntos de reciclaje correspondientes, de acuerdo con la legislación nacional.

Al deshacerse de estos productos de forma correcta, ayudará a ahorrar recursos valiosos y a impedir los posibles efectos desfavorables en la salud humana y en el entorno que de otro modo se producirían si se trataran los desperdicios de modo inapropiado.

Para obtener más información acerca de la recogida y el reciclaje de los productos antiguos, póngase en contacto con las autoridades locales, con el servicio de eliminación de basuras o con el punto de venta donde adquirió los artículos.

Para los usuarios empresariales de la Unión Europea:

Si desea desechar equipos eléctricos y electrónicos, póngase en contacto con su vendedor o proveedor para obtener más información.

Información sobre la eliminación en otros países fuera de la Unión Europea:

Este símbolo solo es válido en la Unión Europea. Si desea desechar estos artículos, póngase en contacto con las autoridades locales o con el vendedor y pregúnteles el método correcto.

(weee_eu_es_02)

CONTEÚDO

PRECAUÇÕES	75
AVISO	77
INFORMAÇÃO	78
INTRODUÇÃO	80
Itens inclusos	80
Manuais de referência.....	80
CONTROLES E FUNÇÕES	81
Painel superior / painel lateral.....	81
Painel inferior	82
INSTALANDO EM UMA MESA	83
Sem montar na mesa.....	83
Ao montar na mesa.....	84
PRINCIPAIS ESPECIFICAÇÕES	87
Diagrama dimensional	88

O número de modelo, número de série, requisitos de energia, etc. podem ser encontrados na placa de nome, que está na parte inferior da unidade. Anote-o no espaço reservado abaixo e guarde este manual como registro de compra permanente para auxiliar na identificação do produto em caso de roubo.

Nº de modelo

Nº de série

(bottom_pt_01)

PRECAUÇÕES

LEIA ATENTAMENTE ANTES DE PROSSEGUIR

Por favor guarde este manual em um lugar seguro para futuras consultas.

A Yamaha não se responsabiliza por danos causados pelo uso inadequado ou por modificações no produto ou por dados perdidos ou destruídos.



ADVERTÊNCIA

Sempre siga as precauções básicas listadas abaixo para evitar a possibilidade de ferimentos graves ou até a morte por choque elétrico, curto-circuito, danos, incêndio ou outros perigos. Essas precauções incluem, entre outras, o seguinte:

Advertência relativa a fogo

- Não coloque itens em chamas ou chamas próximas ao produto, pois podem causar incêndio.



CUIDADO

Sempre siga as precauções básicas listadas abaixo para evitar a possibilidade de lesões físicas a você ou a outras pessoas. Essas precauções incluem, entre outras, o seguinte:

Se você perceber alguma anormalidade

- Se ocorrer algum dos problemas a seguir, desconecte imediatamente o cabo LAN do produto.
 - O cabo LAN está gasto ou danificado.
 - Cheiros incomuns ou fumaça são emitidos.
 - Algum objeto ou água foi jogada no produto.
 - Rachaduras ou outros danos visíveis aparecem no produto.Depois, inspecione ou conserte o produto por pessoal qualificado da Yamaha.

Não abra

- Este produto não contém peças que possam ser reparadas pelo usuário. Não tente desmontar as peças internas ou modificá-las de qualquer forma.

Cuidado com a água

- Não exponha o produto à chuva, use-o próximo à água ou em condições úmidas ou molhadas, nem coloque sobre ele recipientes (como vasos, garrafas ou copos) que contenham líquidos que possam derramar em qualquer abertura.

Localização e conexão

- Ao conectar este produto com um injetor PoE ou comutador de rede PoE, use um cabo LAN que suporte PoE. Se você conectar um cabo que não esteja em conformidade com as especificações ou conectar um cabo plano ou fino, poderá ocorrer incêndio ou mau funcionamento.
- Não danifique o cabo LAN. A inobservância desta precaução pode resultar em incêndio, choque elétrico ou danos ao produto.
 - Não coloque objetos pesados sobre o cabo.
 - Não processe o cabo de forma alguma.
 - Não use grampos para fixar o cabo no lugar.
 - Não aplique uma força excessiva no cabo.
 - Mantenha o cabo longe de qualquer coisa quente.
- Não coloque o produto em uma posição instável ou em um local com vibração excessiva, onde possa cair acidentalmente e causar ferimentos.
- Mantenha este produto fora do alcance das crianças. Este produto não é adequado para uso em locais onde é provável que crianças estejam presentes.
- Não coloque o produto em um local em que possa entrar em contato com gases corrosivos ou ar salgado. Fazer isso pode causar maus funcionamentos.
- Não direcione um cabo LAN onde alguém possa tropeçar neles, como em um local onde as pessoas passam. Tropeçar em um cabo pode fazer com que uma pessoa ou este produto caia, resultando em ferimentos pessoais ou danos ao produto.
- Antes de mover o produto, remova o cabo LAN conectado.
- Instale do modo indicado no manual. A queda pode resultar em ferimentos ou danos.
- Confirme que a instalação finalizada está segura. Além disso, realize inspeções de segurança periodicamente. O não cumprimento deste pode fazer com que os dispositivos caiam, resultando em lesões.
- Sempre consulte o pessoal de serviço Yamaha qualificado se a instalação do produto exigir obras. A instalação inadequada pode causar acidentes, ferimentos, danos ou mau funcionamento deste produto.

Cuidado relativo ao manuseio

- Não descanse seu peso sobre o produto nem coloque objetos pesados sobre ele.

AVISO

Para evitar a possibilidade de mau funcionamento / danos ao produto, danos aos dados ou danos a outras propriedades, siga os avisos abaixo.

Manuseio e manutenção

- Não use o produto próximo a uma TV, rádio ou outros produtos elétricos. Caso contrário, o produto, a TV ou o rádio podem gerar ruído.
- Não instale o produto em um local onde os campos magnéticos sejam fortes. Caso contrário, isso pode causar o mau funcionamento do produto.
- Não exponha o produto a poeira ou vibração excessiva, ou frio ou calor extremos, para evitar a possibilidade de desfiguração, operação instável ou danos aos componentes internos.
- Não instale em locais onde as mudanças de temperatura são severas. Caso contrário, poderá ocorrer condensação no interior ou na superfície do produto, causando a sua ruptura.
- Se houver motivos para acreditar que possa ter ocorrido condensação, deixe o produto por várias horas sem ligar a energia até que a condensação seque completamente, a fim de evitar possíveis danos.
- Não use um cabo LAN que entre em contato com a caixa do produto ou aplique força excessiva ao conector.
- Não toque no interior de uma porta com os dedos ou qualquer objeto metálico.
- Não coloque objetos de vinil, plástico ou borracha sobre o produto, pois isso pode causar alteração ou descoloração.
- Ao limpar o produto, use um pano seco e macio. Não use diluentes, solventes, líquidos de limpeza ou panos impregnados com produtos químicos, pois isso pode causar alterações ou descoloração.



INFORMAÇÃO

Sobre funções / dados fornecidos com o produto

- Advertência: A operação deste produto em um ambiente residencial pode causar interferência de rádio.
- Este produto usa Dante Ultimo. Consulte o site do Audinate (inglês) para obter detalhes sobre as licenças de código aberto para o software específico.
<https://www.audinate.com/software-licensing>
Consulte o site abaixo para obter os termos de licença do software de código aberto usado neste produto.
EUA e Canadá
<https://uc.yamaha.com/support/>
Outros países
<https://download.yamaha.com/>

Sobre este manual

- Este manual usa as seguintes palavras de sinalização para as informações importantes:

 ADVERTÊNCIAS	Este conteúdo indica “risco de ferimentos graves ou morte”.
 CUIDADO	Este conteúdo indica “risco de ferimentos”.
AVISO	Indica o conteúdo que você deve observar para impedir que o produto funcione incorretamente, seja danificado ou funcione incorretamente e para evitar a perda de dados.
IMPORTANTE	Indica o conteúdo que você deve conhecer para operar e usar o produto corretamente.
OBSERVAÇÃO	Indica informações relacionadas à operação e uso. Leia isto para sua referência.

- As ilustrações mostradas neste manual são apenas para fins instrucionais.
- Os nomes das empresas e dos produtos deste manual são as marcas comerciais ou as marcas comerciais registradas de suas respectivas empresas.
- A Yamaha efetua melhorias e atualizações de maneira constante no software incluído neste produto. Você pode baixar o software mais recente no site da Yamaha.
- É proibida a cópia não autorizada deste documento, seja parcial ou total.

Sobre transferência / descarte

- Se você transferir o produto para terceiros, entregue este manual e os acessórios junto com ele.
- Este produto contém componentes recicláveis. Ao descartar este produto, entre em contato com as autoridades locais apropriadas.

INTRODUÇÃO

Obrigado por adquirir o microfone de borda Yamaha RM-TT. Esta unidade é um microfone de mesa alimentado por PoE. É compatível com Dante e pode ser usado em combinação com o processador de sinal RM-CR. Certifique-se de ler este manual antes de usar a unidade.

Itens inclusos

- Adaptador de montagem em mesa : 1
- Parafusos de montagem : 3
- Espaçadores : 3
- Guia de instalação (este documento) : 1

Manuais de referência

- Para obter detalhes sobre como conectar esta unidade ao RM-CR, consulte o Manual de Referência RM-CR.
- Para obter detalhes sobre as funções e especificações desta unidade, consulte o RM-TT Manual de referência.

Ambas as publicações estão disponíveis no site da Yamaha.

EUA e Canadá

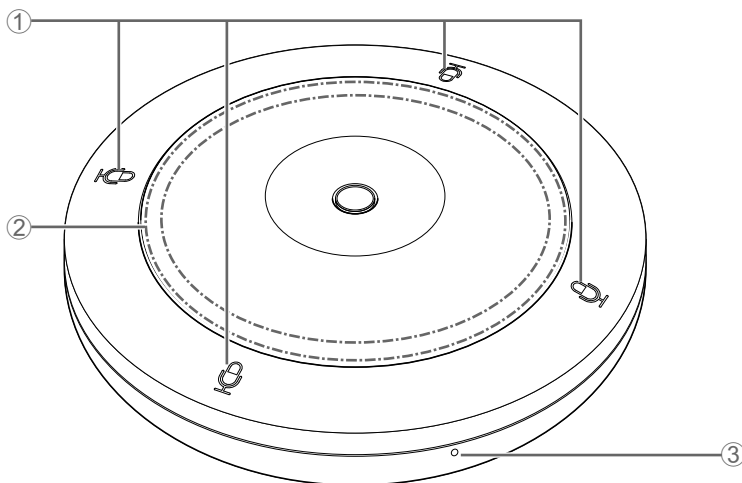
<https://uc.yamaha.com/support/>

Outros países

<https://download.yamaha.com/>

CONTROLES E FUNÇÕES

Painel superior / painel lateral



① Botões / indicadores de mic

Toque em um botão para ligar / desligar o microfone. Todos os quatro botões / indicadores funcionam juntos.

Indicador de microfone	Status do microfone
Verde	ON
Vermelho	OFF

② Indicador de status

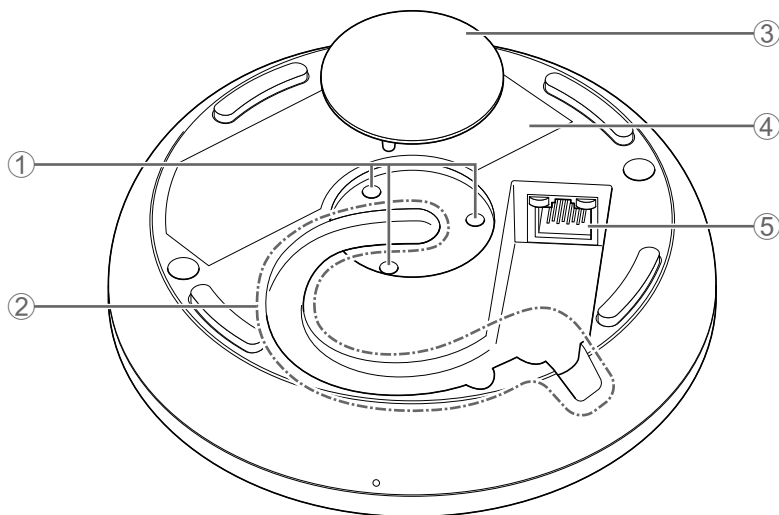
Indica o status desta unidade usando uma cor e um padrão intermitente. Para obter detalhes, consulte o RM-TT Manual de referência.

③ Botão de reset

Use para redefinir as configurações pressionando longamente com um objeto de ponta fina e, em seguida, soltando-o.

Pressão longa	Indicador de status	Redefinir destino
4 segundos a menos de 8 segundos	Pisca em azul duas vezes por segundo (durante pressionamento longo / reinicialização)	Configurações relacionadas à rede
8 segundos a menos de 12 segundos	Pisca em azul três vezes por segundo (durante pressionamento longo / reinicialização)	Todas as configurações (reinicia automaticamente após redefinir)

Painel inferior



① Orifícios dos parafusos de montagem

Use para instalar os parafusos de montagem.

② Slot de cabo

Use para rotear o cabo LAN.

③ Tampa

Remova ao montar esta unidade em uma mesa.

④ Rótulo do produto

Fornecer informações sobre esta unidade e marcas de conformidade com vários padrões.

⑤ Porta Dante / PoE

Esta é uma porta RJ-45 à qual você pode conectar um cabo LAN (CAT5e ou superior) por meio de um injetor PoE compatível com IEEE802.3af ou do switch de rede PoE a uma unidade Dante. Para obter detalhes sobre injetores, consulte o RM-TT Manual de referência.

AVISO : Não conecte este produto diretamente a uma rede Wi-Fi e/ou de Internet pública. Somente conecte este produto à Internet usando um roteador com proteção por senha forte. Consulte o fabricante do roteador para obter mais informações sobre as melhores práticas de segurança.

: Não conecte nenhum dispositivo aqui que não seja um dispositivo compatível com Dante ou um dispositivo (incluindo um computador) que suporte Ethernet gigabit.

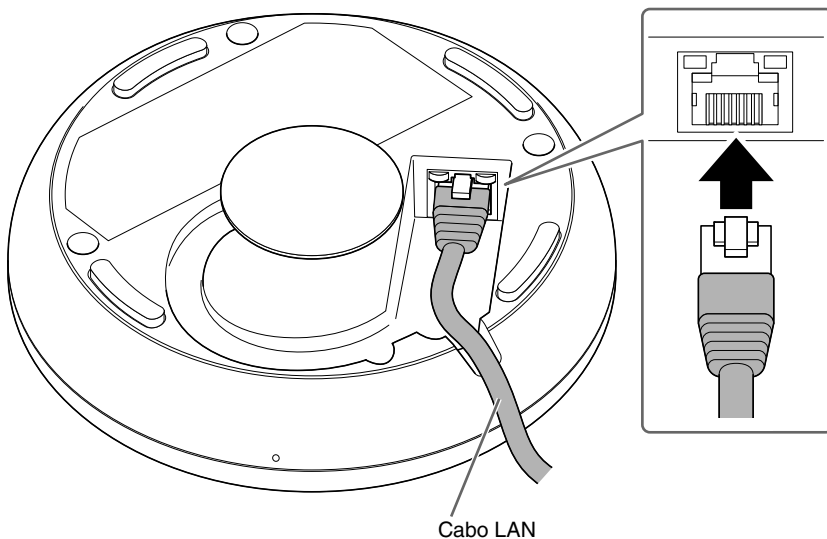
INSTALANDO EM UMA MESA

Certifique-se de instalar esta unidade usando os métodos descritos neste manual.

Sem montar na mesa

1. Conecte o cabo LAN na porta Dante / PoE.

Passa pelo slot do cabo conforme mostrado abaixo.



Português

AVISO : Use um cabo STP (par trançado blindado) para evitar interferência eletromagnética.

: Ao desconectar o cabo LAN da porta Dante / PoE, espere pelo menos cinco segundos antes de reconectar o cabo. Caso contrário, podem ocorrer danos ou mau funcionamento.

2. Coloque esta unidade na mesa.

Isso conclui o guia de instalação.

Ao montar na mesa

Prepare o seguinte.

- Esta unidade
- Montagem em mesa adaptador (doravante referido como adaptador) (incluído)
- Parafusos de montagem × 3 (incluídos)
- Espaçadores × 3 (incluídos)
- Parafusos escareados disponíveis comercialmente × 3
- Broca



CUIDADO : Certifique-se de usar parafusos escareados e uma broca (broca) apropriados para o material da mesa.

O uso de ferramentas e ferragens inadequadas pode causar ferimentos, mau funcionamento ou danos à mesa.

1. Faça um furo na mesa.

O furo deve ter um diâmetro de pelo menos 25 mm. Use uma broca apropriada.



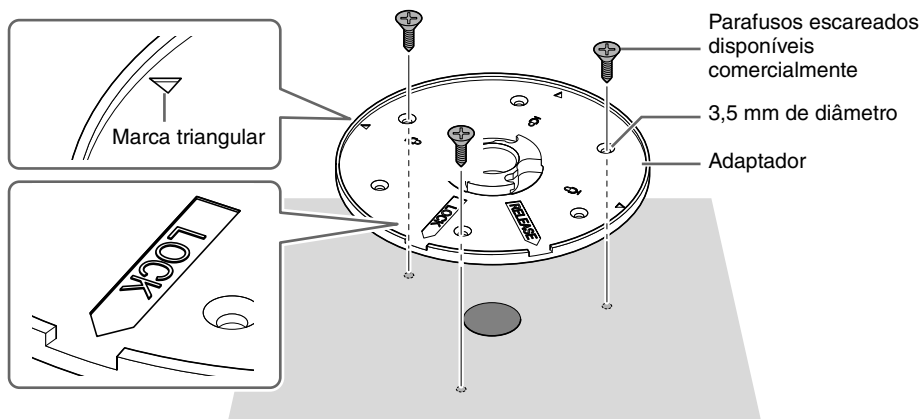
CUIDADO : Use ferramentas apropriadas ao fazer furos. O uso de ferramentas inadequadas pode causar ferimentos nas mãos.

: Tenha cuidado para não deixar resíduos ou poeira em seus olhos ao fazer os furos.

2. Coloque o adaptador sobre o orifício na mesa e fixe-o com três parafusos escareados disponíveis no mercado.

O diâmetro dos furos para os parafusos escareados deve ser 3,5 mm.

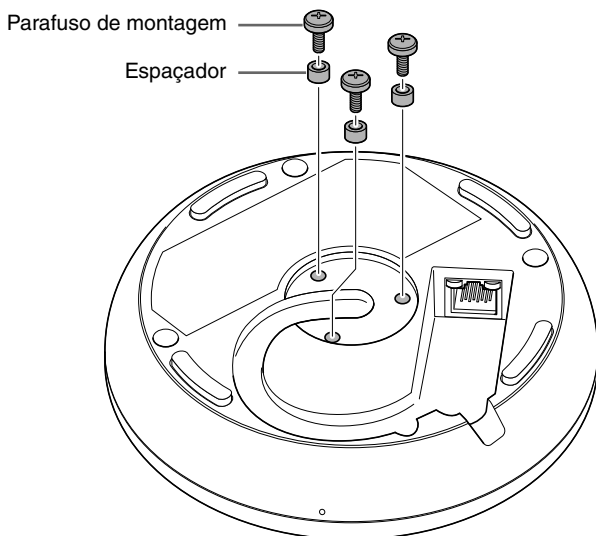
O adaptador é inscrito com uma marca LOCK e três triângulo marcas. Essas quatro marcas indicam a orientação dos botões / indicadores do microfone quando a unidade foi instalada. Use-os como guias para determinar a orientação do adaptador.



OBSERVAÇÃO : Existem seis orifícios (incluindo peças sobressalentes) para os parafusos escareados. Use qualquer um deles.

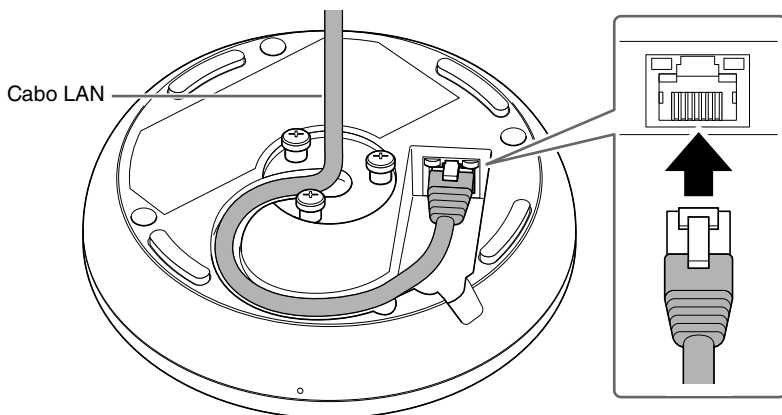
3. Remova a tampa da parte inferior desta unidade e instale três parafusos de montagem através dos orifícios de montagem.

Coloque um espaçador em cada parafuso.



4. Conecte o cabo LAN na porta Dante / PoE.

Passo pelo slot do cabo conforme mostrado abaixo.

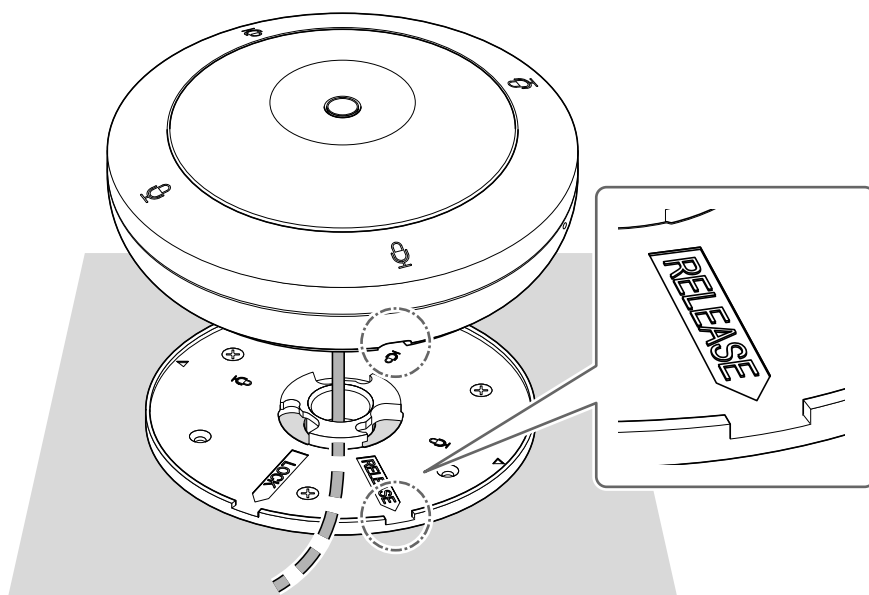


AVISO : Use um cabo STP (par trançado blindado) para evitar interferência eletromagnética.

: Ao desconectar o cabo LAN da porta Dante / PoE, espere pelo menos cinco segundos antes de reconectar o cabo. Caso contrário, podem ocorrer danos ou mau funcionamento.

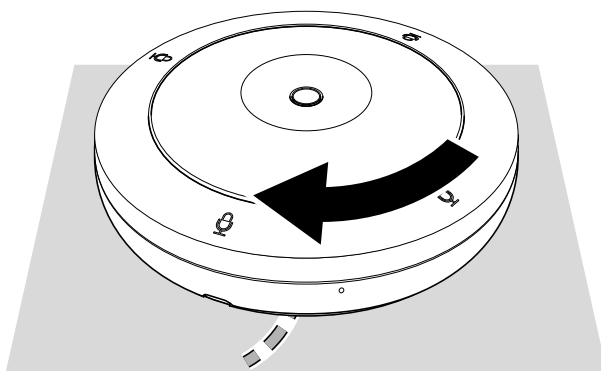
5. Passe o cabo LAN pelo centro do adaptador e, em seguida, coloque esta unidade no adaptador.

O adaptador está inscrito com uma marca RELEASE. Alinhe o entalhe no adaptador indicado por essa marca com a ranhura do cabo na lateral da unidade.



6. Gire a unidade 45 ° no sentido horário (visto de cima).

O encaixe dos parafusos de montagem e do adaptador conclui o guia de instalação.



OBSERVAÇÃO : Para remover a unidade, gire-a 45 ° no sentido anti-horário.

PRINCIPAIS ESPECIFICAÇÕES

Especificações Gerais

Dimensões	L 140,0 mm × P 140,0 mm × A 40,0 mm (excluindo saliências)	
Peso	310 g	
Requerimentos de força	PoE (IEEE802.3af), DC48 V	
Consumo máximo de energia	4,5 W	
Em operação	Temperatura	0 °C – 40 °C
	Umidade	30% – 90% (sem condensação)
Armazenamento	Temperatura	–20 °C – 60 °C
	Umidade	20% – 90% (sem condensação)
Indicadores	<ul style="list-style-type: none">• Mic• Status• Porta de rede	
Acessórios	<ul style="list-style-type: none">• Adaptador de montagem em mesa : 1• Parafuso de montagem : 3• Espaçador : 3• Guia de instalação (este documento) : 1	

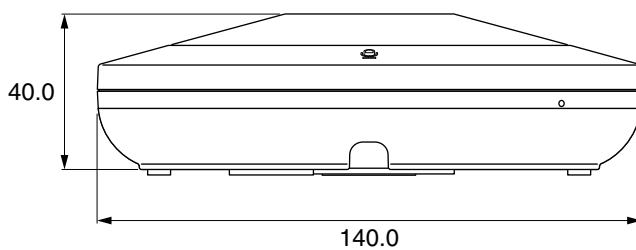
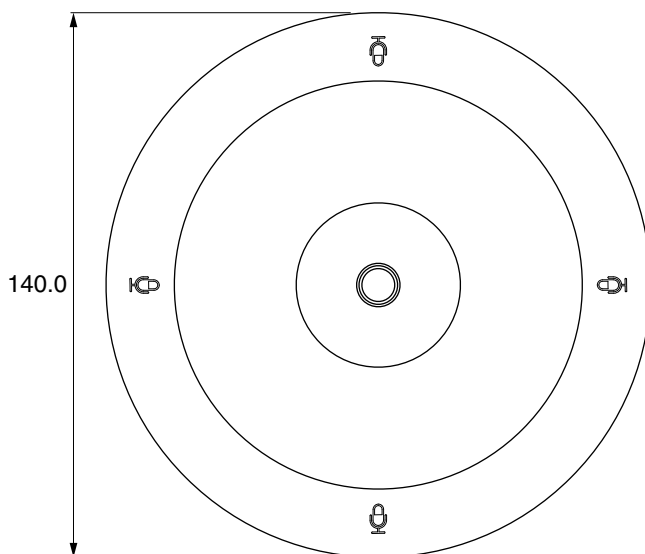
Especificações de rede

Porta Dante / PoE	<ul style="list-style-type: none">• Áudio Dante / Controle Dante• Controle remoto• PoE• Requisitos de cabo: CAT5e ou superior, STP
-------------------	---

O conteúdo deste manual se aplica às especificações mais recentes a partir da data de publicação. Para obter o manual mais recente, acesse o site da Yamaha e faça o download do arquivo do manual.

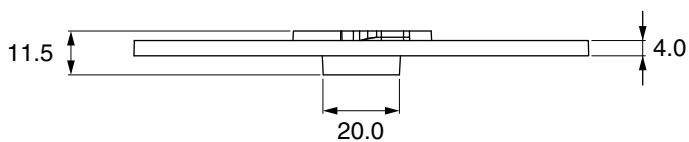
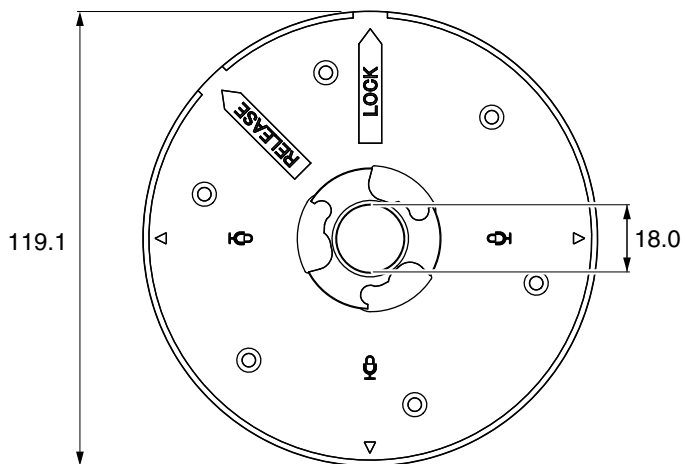
Diagrama dimensional

Esta unidade



Unidades: mm

Adaptador de montagem em mesa



Unidades: mm

Informações para os utilizadores relativas à recolha e eliminação de equipamentos usados



Este símbolo, presente em produtos, embalagens e/ou incluído na documentação associada, indica que os produtos elétricos e eletrônicos usados não devem ser eliminados juntamente com os resíduos domésticos em geral.

O procedimento correto consiste no tratamento, recuperação e reciclagem de produtos usados, pelo que deve proceder à respetiva entrega nos pontos de recolha adequados, em conformidade com a legislação nacional em vigor.

A eliminação destes produtos de forma adequada permite poupar recursos valiosos e evitar potenciais efeitos prejudiciais para a saúde pública e para o ambiente, associados ao processamento incorreto dos resíduos.

Para mais informações relativas à recolha e reciclagem de produtos usados, contacte as autoridades locais, o serviço de eliminação de resíduos ou o ponto de venda onde foram adquiridos os itens relevantes.

Informações para utilizadores empresariais na União Europeia:

Para proceder à eliminação de equipamento elétrico e eletrónico, contacte o seu revendedor ou fornecedor para obter informações adicionais.

Informações relativas à eliminação em países não pertencentes à União Europeia:

Este símbolo é válido exclusivamente na União Europeia. Caso pretenda eliminar este tipo de itens, contacte as autoridades locais ou o seu revendedor e informe-se acerca do procedimento correto para proceder à respetiva eliminação.

(weee_eu_pt_02a)

INDICE

PRECAUZIONI	93
AVVISO	95
INFORMAZIONI	96
INTRODUZIONE	98
Elementi inclusi	98
Manuali di riferimento	98
CONTROLLI E FUNZIONI	99
Pannello superiore/pannello laterale	99
Pannello inferiore	100
INSTALLAZIONE SU SCRIVANIA	101
Senza montaggio sulla scrivania	101
Con montaggio sulla scrivania	102
SPECIFICHE PRINCIPALI	105
Diagramma dimensioni	106

Il numero di modello e quello di serie, i requisiti di alimentazione e altre informazioni del prodotto si trovano sulla piastrina o vicino alla stessa. La piastrina del prodotto si trova nella parte inferiore dell'unità. Annotare il numero di serie nello spazio indicato di seguito e conservare il manuale come documento di comprovazione dell'acquisto; in tal modo, in caso di furto, l'identificazione sarà più semplice.

Numero del modello

Numero di serie

(bottom_it_01)

PRECAUZIONI

LEGGERE ATTENTAMENTE PRIMA DI PROCEDERE

Conservare il presente manuale in un luogo sicuro per consultazioni future.

Yamaha declina qualsiasi responsabilità per lesioni personali o danni derivanti da un utilizzo non corretto o dalle modifiche apportate al prodotto, o dati persi o distrutti.



AVVERTENZA

Osservare sempre le seguenti precauzioni di base per evitare la possibilità di lesioni gravi o perfino morte per scossa elettrica, cortocircuito, danni, incendio o per altri pericoli. Queste precauzioni includono, a titolo esemplificativo ma non esaustivo:

Esposizione al fuoco

- Non posizionare oggetti accesi o fiamme vive in prossimità del prodotto per evitare il rischio di incendio.



ATTENZIONE

Osservare sempre le seguenti precauzioni di base per evitare la possibilità di lesioni. Queste precauzioni includono, a titolo esemplificativo ma non esaustivo:

Anomalie

- Se si verifica uno dei seguenti problemi, scollegare immediatamente il cavo LAN dal prodotto.
 - Il cavo LAN è diventato logoro o danneggiato.
 - Fumo od odori insoliti.
 - Nel prodotto è penetrata acqua o qualche oggetto.
 - Appaiono crepe o altri danni visibili appaiono sul prodotto.Fare quindi ispezionare o riparare il prodotto da personale di assistenza Yamaha qualificato.

Non aprire

- Questo prodotto non contiene parti manutenibili dall'utente. Non tentare di smontare o modificare le parti interne in alcun modo.

Attenzione all'acqua

- Non esporre il prodotto alla pioggia, non usarlo vicino all'acqua o in ambienti umidi o bagnati, non poggiarvi sopra contenitori (ad esempio, tazze, bicchieri o bottiglie) di liquidi che possano riversarsi in una delle aperture, né posizionarlo in luoghi soggetti a infiltrazioni.

Posizione e connessione

- In caso di collegamento del prodotto a un iniettore PoE o a uno switch di rete PoE, usare un cavo LAN che supporti PoE. Collegando un cavo non conforme alle specifiche o un cavo di tipo piatto o sottile, si possono verificare incendi o malfunzionamenti.
- Non danneggiare il cavo LAN. La mancata osservanza di tale precauzione può causare incendi, scosse elettriche o danni al prodotto.
 - Non appoggiare oggetti pesanti sul cavo.
 - Non modificare il cavo in alcun modo.
 - Non utilizzare graffette per fissare il cavo in posizione.
 - Non esercitare forza eccessiva sul cavo.
 - Assicurarci di tenere il cavo lontano da fonti di calore.
- Non collocare l'unità in posizione instabile o in un luogo soggetto a vibrazioni eccessive, per evitare che cada accidentalmente e che possa causare lesioni.
- Tenere il prodotto lontano dalla portata dei bambini. Questo prodotto non è adatto all'uso in luoghi con presenza di bambini.
- Non posizionare il prodotto in posizioni in cui potrebbe venire a contatto con gas corrosivi o salsedine. La mancata osservanza di tale precauzione potrebbe causare un malfunzionamento.
- Non poggiare il cavo LAN in luoghi in cui vi si possa inciampare, come ad esempio luoghi di passaggio. L'inciampo potrebbe causare la caduta della persona o del prodotto con conseguenti lesioni personali o danni al prodotto.
- Prima di spostare il prodotto, scollegare il cavo LAN.
- Installare attenendosi alle istruzioni presenti nel manuale. La caduta potrebbe causare lesioni personali o danni.
- Assicurarci di aver terminato l'installazione in modo sicuro. Condurre inoltre ispezioni di sicurezza periodiche. La mancata osservanza di questa precauzione può provocare la caduta di dispositivi e conseguenti lesioni personali.
- Consultare sempre personale di assistenza Yamaha qualificato in caso l'installazione richieda opere edili. Un'installazione errata potrebbe causare incidenti, lesioni, danni o malfunzionamenti del prodotto.

Precauzioni di utilizzo

- Non appoggiare il proprio peso sul prodotto o poggiarvi sopra oggetti pesanti.

AVVISO

Osservare i seguenti avvisi per evitare la possibilità di malfunzionamenti/danni al prodotto, ai dati o ad altri oggetti.

Manipolazione e manutenzione

- Non utilizzare il prodotto in prossimità di TV, radio o altri prodotti elettrici per evitare che questi possano produrre rumore.
- Non installare il prodotto in luoghi soggetti a forti campi magnetici, per evitare malfunzionamenti del prodotto.
- Non esporre il prodotto a livelli eccessivi di polvere o vibrazioni, o a caldo o freddo eccessivi, onde prevenire la possibilità di danni estetici, rendere instabile il funzionamento o danneggiare i componenti interni.
- Non installare in luoghi soggetti a notevoli sbalzi di temperatura per evitare che si formi condensa all'interno della superficie del prodotto danneggiandolo.
- Se si ritiene vi sia condensa, lasciare il prodotto spento per diverse ore fino a che la condensa non si sia completamente asciugata, in modo da prevenire possibili danni.
- Non utilizzare cavi LAN che entrino in contatto con l'involucro del prodotto o che applichino forza eccessiva al connettore.
- Non toccare l'interno di una porta con le dita od oggetti metallici.
- Non collocare sul prodotto oggetti in vinile, plastica o gomma per evitare alterazioni o scolorimenti.
- Pulire il prodotto con un panno morbido e asciutto. Non utilizzare diluenti, solventi, detergenti liquidi o panni impregnati di sostanze chimiche poiché potrebbero causare alterazioni o scolorimenti.

INFORMAZIONI

Funzioni e dati inclusi nel prodotto

- Avvertenza: L'utilizzo del prodotto in ambienti domestici potrebbe causare interferenze radio.
- Questo prodotto usa Dante Ultimo. Per dettagli sulle licenze open source per i vari software, consultare il sito web Audinate (in inglese).

<https://www.audinate.com/software-licensing>

Consultare il seguente sito web per i termini di licenza del software open source utilizzato nel prodotto.

U.S.A e Canada



<https://uc.yamaha.com/support/>

Altri paesi

<https://download.yamaha.com/>

Informazioni sul manuale

- Il presente manuale utilizza i seguenti termini per le informazioni importanti:

 AVVERTENZA	Questo contenuto indica "rischio di lesioni gravi o di morte".
 ATTENZIONE	Questo contenuto indica "rischio di lesioni".
AVVISO	Indica contenuto da osservare per evitare il guasto del prodotto, danni o malfunzionamento e perdita di dati.
IMPORTANTE	Indica contenuto da conoscere per poter utilizzare il prodotto correttamente.
NOTA	Indica informazioni relative al funzionamento e all'uso. Leggere per consultazione.

- Le illustrazioni in questo manuale vengono fornite esclusivamente a scopo descrittivo.
- Le denominazioni sociali e i nomi dei prodotti riportati nel manuale sono marchi o marchi registrati delle rispettive società.
- Yamaha apporta continui miglioramenti e aggiornamenti al software incluso con il prodotto. È possibile scaricare la versione più recente del software dal sito web Yamaha.
- è vietata la copia non autorizzata anche parziale del presente documento.

Trasferimento/smaltimento

- In caso di trasferimento del prodotto a terzi, trasferire anche il presente manuale e gli accessori.
- Questo prodotto contiene componenti riciclabili. Per lo smaltimento del prodotto, rivolgersi alle autorità locali competenti.

INTRODUZIONE

Grazie per aver acquistato il microfono da superficie Yamaha RM-TT. L'unità è un microfono da scrivania alimentato PoE compatibile con Dante ed è utilizzabile in combinazione con il processore di segnale RM-CR. Assicurarsi di leggere il manuale prima di utilizzare l'unità.

Elementi inclusi

- Adattatore per montaggio su scrivania : 1
- Viti di montaggio : 3
- Distanziatori : 3
- Manuale di installazione (il presente documento) : 1

Manuali di riferimento

- Per dettagli su come collegare l'unità a un RM-CR, consultare il manuale di riferimento dell'RM-CR.
- Per dettagli sulle funzioni e le specifiche dell'unità, consultare il manuale di riferimento dell'RM-TT.

Entrambe le pubblicazioni sono disponibili sul sito web Yamaha.

U.S.A e Canada

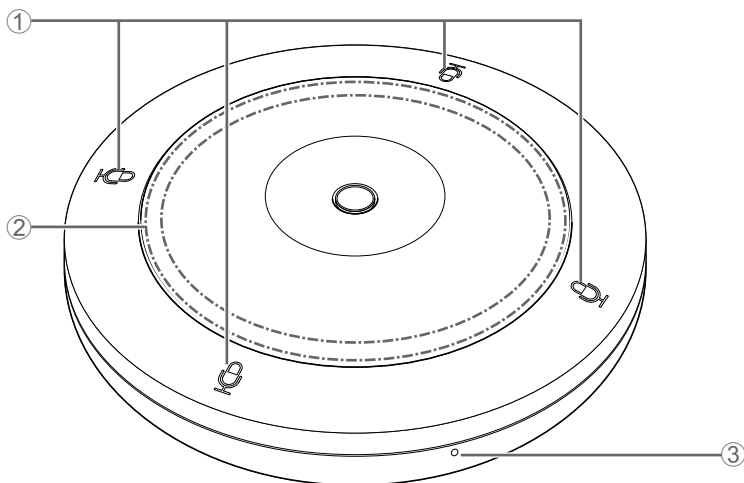
<https://uc.yamaha.com/support/>

Altri paesi

<https://download.yamaha.com/>

CONTROLLI E FUNZIONI

Pannello superiore/pannello laterale



① Pulsanti/indicatori del mic

Toccare un pulsante per accendere/spegnere il microfono. Tutti i quattro pulsanti/indicatori operano insieme.

Indicatore Mic	Stato microfono
Verde	ON
Rosso	OFF

② Indicatore di stato

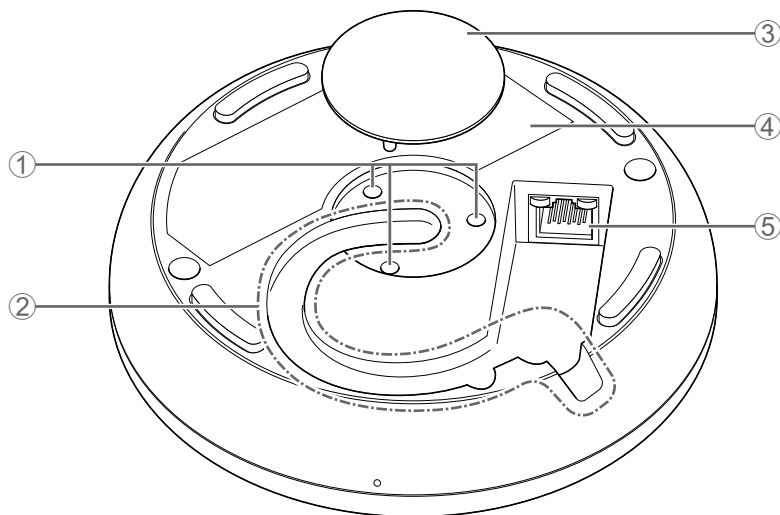
indica lo stato dell'unità tramite un sistema di colori e lampeggiamenti. Per dettagli, consultare il manuale di riferimento dell'RM-TT.

③ Pulsante di reset

Usare per ripristinare le impostazioni tenendo premuto con un oggetto a punta sottile e quindi rilasciando.

Pressione lunga	Indicatore di stato	Oggetto del ripristino
Da 4 secondi a meno di 8 secondi	Lampeggia in blu due volte al secondo (durante la pressione lunga/il ripristino)	Impostazioni di rete
Da 8 secondi a meno di 12 secondi	Lampeggia in blu tre volte al secondo (durante la pressione lunga/il ripristino)	Tutte le impostazioni (riavvio automatico dopo il ripristino)

Pannello inferiore



① Fori per le viti di montaggio

Utilizzare per installare le viti di montaggio.

② Fessura per il cavo

Per far passare il cavo LAN.

③ Tappo

Rimuovere per montare l'unità su una scrivania.

④ Etichetta prodotto

Fornisce informazioni sull'unità e i marchi di conformità ai vari standard.

⑤ Porta Dante/PoE

Si tratta di una porta RJ-45 a cui connettere un cavo LAN (CAT5e o superiore) tramite un iniettore PoE conforme IEEE802.3af o uno switch di rete PoE a un'unità Dante. Per dettagli sugli iniettori, consultare il manuale di riferimento di RM-TT.

AVVISO : Non collegare il prodotto a una rete Wi-Fi pubblica e/o direttamente a Internet. Collegare il prodotto a Internet solamente tramite un router protetto da robusta password. Per informazioni sulle migliori prassi di sicurezza, rivolgersi al produttore del router.

: Non connettere qui dispositivi non compatibili Dante o un dispositivo che non supporti gigabit Ethernet (incluso un computer).

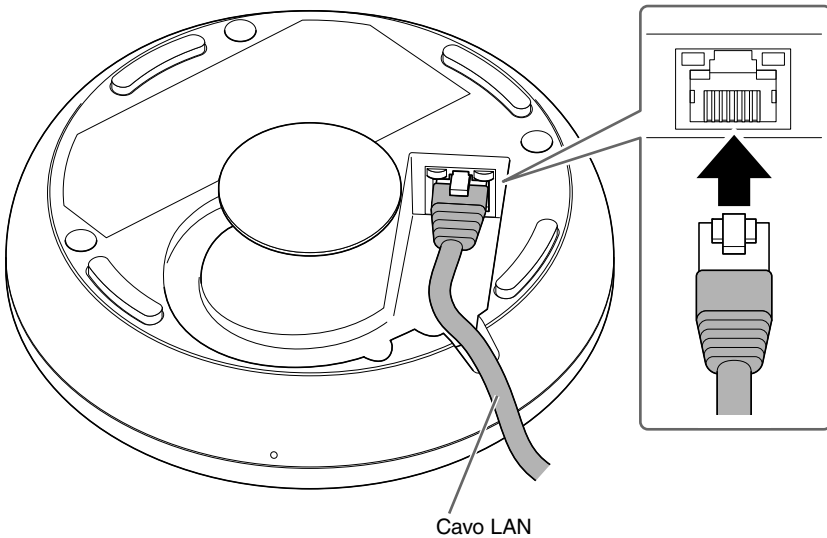
INSTALLAZIONE SU SCRIVANIA

Per installare l'unità, assicurarsi di seguire i metodi descritti nel manuale.

Senza montaggio sulla scrivania

1. Inserire il cavo LAN nella porta Dante/PoE.

Far passare il cavo attraverso la fessura come illustrato sotto.



AVVISO : Usare un cavo STP (Shielded Twisted Pair, doppino ritorto schermato) per prevenire interferenze elettromagnetiche.

: Nel scollegare il cavo LAN dalla porta Dante/PoE, attendere almeno cinque secondi prima di ricollegare il cavo. Altrimenti, si potrebbero verificare danni o malfunzionamenti.

2. Posizionare l'unità sulla scrivania.

L'installazione è completata.

Con montaggio sulla scrivania

Preparare i seguenti elementi.

- L'unità
- Adattatore per montaggio su scrivania (di seguito in poi adattatore) (incluso)
- Viti di montaggio × 3 (incluso)
- Spaziatori × 3 (incluso)
- Viti a testa sfasata disponibili in commercio × 3
- Trapano



ATTENZIONE : Assicurarsi di usare viti a testa sfasata e una punta di trapano adatti al materiale della scrivania.

L'utilizzo di utensili e accessori inadeguati può causare lesioni, malfunzionamenti o danni alla scrivania.

1. Praticare un foro nella scrivania.

Il foro deve avere un diametro minimo di 25 mm. Utilizzare una punta di trapano adatta.



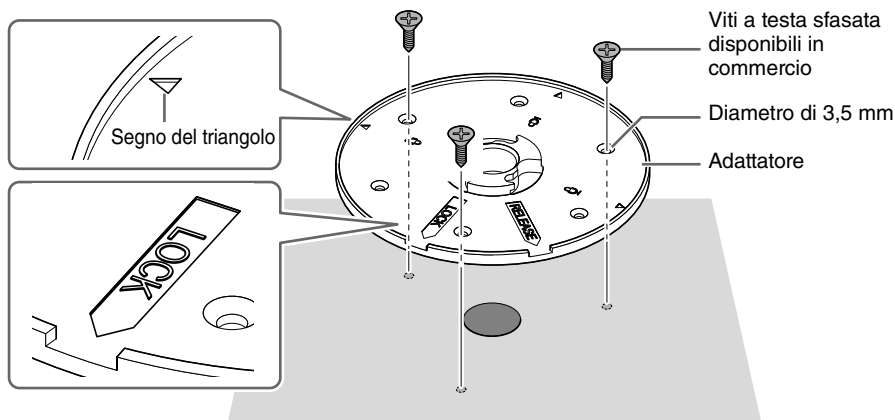
ATTENZIONE : Utilizzare utensili adeguati per praticare i fori. In caso contrario, ci si potrebbe ferire alle mani.

: Evitare la caduta di detriti o polvere negli occhi mentre si praticano i fori.

2. Posizionare l'adattatore sul foro della scrivania e fissarlo con tre viti a testa sfasata disponibili in commercio.

Il diametro dei fori delle viti a testa sfasata deve essere di 3,5 mm.

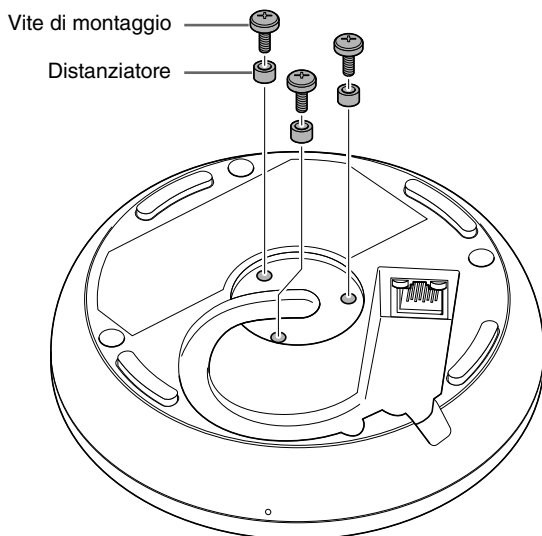
L'adattatore riporta incisa una scritta LOCK e tre triangoli. Questi quattro segni indicano l'orientamento dei pulsanti/indicatori Mic quando si installa l'unità. Utilizzare queste guide per determinare l'orientamento dell'adattatore.



NOTA : Ci sono sei fori (inclusi quelli di riserva) per le viti a testa sfasata. Utilizzarne tre qualsiasi.

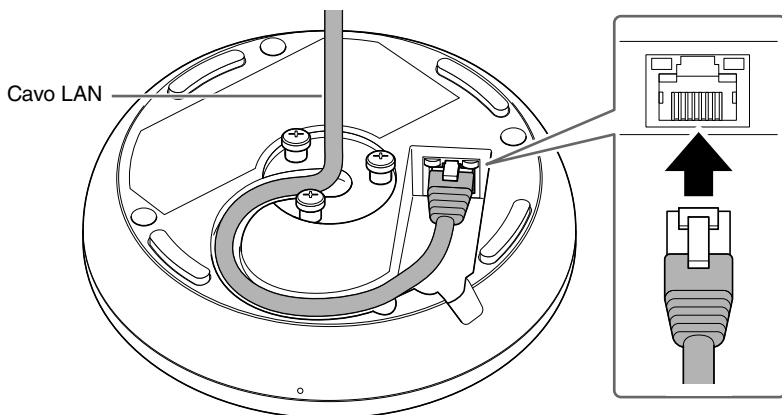
3. Rimuovere il tappo dal fondo dell'unità e inserire tre viti di montaggio attraverso i relativi fori.

Posizionare un distanziatore su ciascuna vite.



4. Inserire il cavo LAN nella porta Dante/PoE.

Far passare il cavo attraverso la fessura come illustrato sotto.

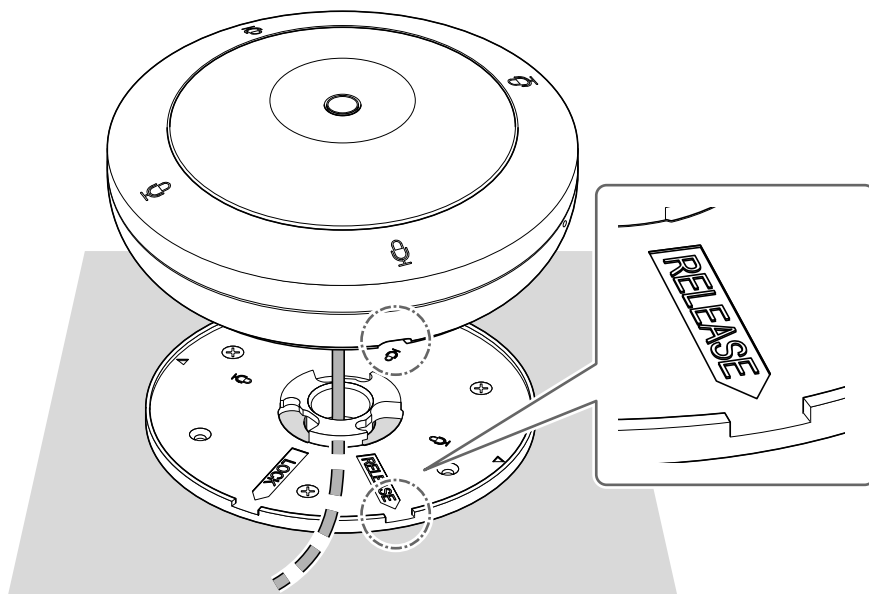


AVVISO : Usare un cavo STP (Shielded Twisted Pair, doppino ritorto schermato) per prevenire interferenze elettromagnetiche.

: Nel scollegare il cavo LAN dalla porta Dante/PoE, attendere almeno cinque secondi prima di ricollegare il cavo. Altrimenti, si potrebbero verificare danni o malfunzionamenti.

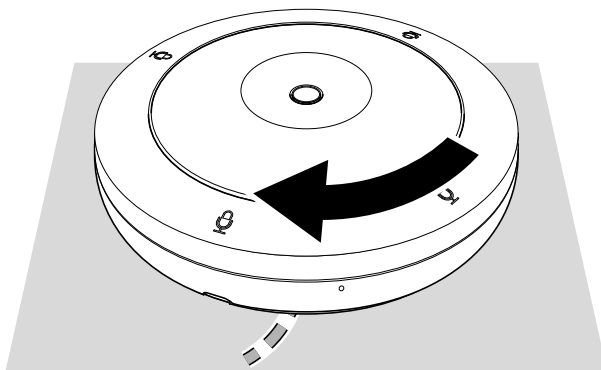
5. Far passare il cavo LAN attraverso il centro dell'adattatore, posizionare quindi l'unità sull'adattatore.

L'adattatore riporta incisa la scritta RELEASE. Allineare la rientranza sull'adattatore indicata dal segno sulla fessura del cavo sul lato dell'unità.



6. Ruotare l'unità di 45° in senso orario (vista dall'alto).

Per completare l'installazione, fissare le viti all'adattatore.



NOTA : Per rimuovere l'unità, ruotarla di 45° in senso antiorario.

SPECIFICHE PRINCIPALI

Specifiche generali

Dimensioni	L 140,0 mm × P 140,0 mm × A 40,0 mm (sporgenze escluse)	
Peso	310 g	
Requisiti energetici	PoE (IEEE802.3af), CC48 V	
Consumo massimo	4,5 W	
In uso	Temperatura	0 °C – 40 °C
	Umidità	30% – 90% (senza condensa)
Conservazione	Temperatura	-20 °C – 60 °C
	Umidità	20% – 90% (senza condensa)
Indicatori	<ul style="list-style-type: none">• Mic• Stato• Porta di rete	
Accessori	<ul style="list-style-type: none">• Adattatore per montaggio su scrivania : 1• Vite di montaggio : 3• Distanziatore : 3• Manuale di installazione (il presente documento) : 1	

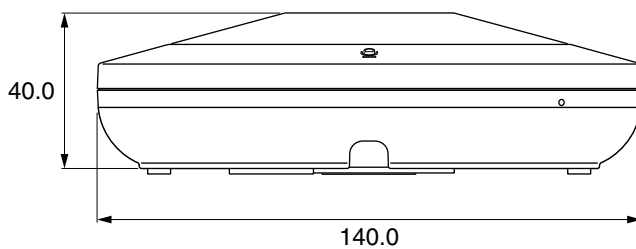
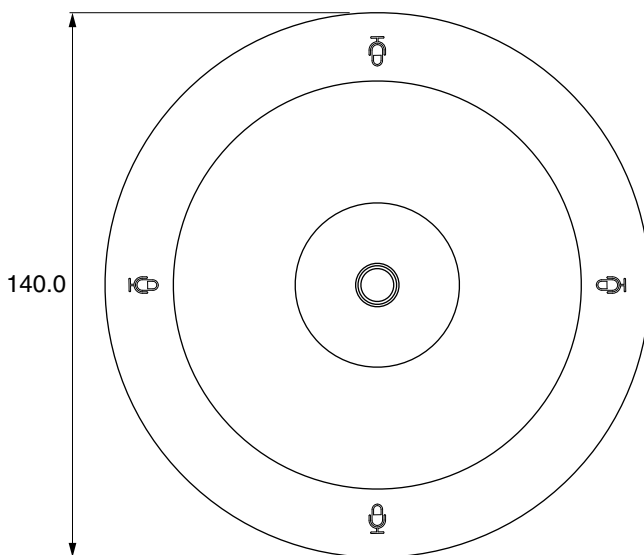
Specifiche di rete

Porta Dante/PoE	<ul style="list-style-type: none">• Audio Dante/Controllo Dante• Telecomando• PoE• Requisiti per i cavi: CAT5e o categoria superiore, STP
-----------------	--

Il contenuto del presente manuale si applica alle ultime specifiche tecniche a partire dalla data di pubblicazione. Per ottenere la versione più recente del manuale, accedere al sito Web Yamaha e scaricare il file corrispondente.

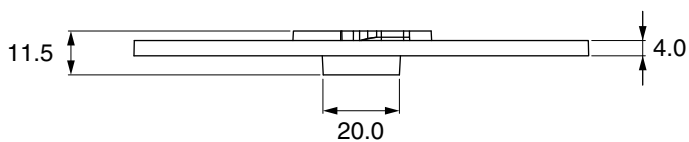
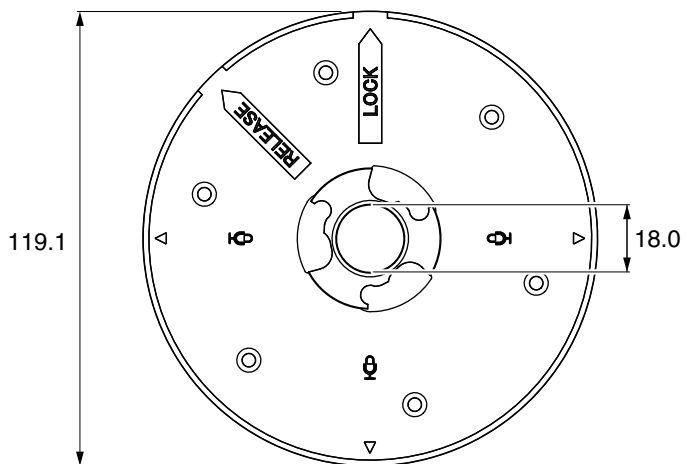
Diagramma dimensioni

L'unità



Unità: mm

Adattatore per montaggio su scrivania



Unità: mm

Italiano

Informazioni per gli utenti sulla raccolta e lo smaltimento di vecchia attrezzatura



Questi simboli sui prodotti, sull'imballaggio e/o sui documenti che li accompagnano, indicano che i prodotti elettrici ed elettronici non devono essere mischiati con i rifiuti generici.

Per il trattamento, il recupero e il riciclaggio appropriato di vecchi prodotti, si prega di portarli ai punti di raccolta designati, in accordo con la legislazione locale.

Smaltendo correttamente questi prodotti si potranno recuperare risorse preziose, oltre a prevenire potenziali effetti negativi sulla salute e l'ambiente che potrebbero sorgere a causa del trattamento improprio dei rifiuti.

Per ulteriori informazioni sulla raccolta e il riciclaggio di vecchi prodotti, si prega di contattare l'amministrazione comunale locale, il servizio di smaltimento dei rifiuti o il punto vendita dove sono stati acquistati gli articoli.

Per utenti imprenditori dell'Unione europea:

Se si desidera scartare attrezzatura elettrica ed elettronica, si prega di contattare il proprio rivenditore o il proprio fornitore per ulteriori informazioni.

Informazioni sullo smaltimento negli altri Paesi al di fuori dell'Unione europea:

Questi simboli sono validi solamente nell'Unione Europea; se si desidera scartare questi articoli, si prega di contattare le autorità locali o il rivenditore e richiedere informazioni sulla corretta modalità di smaltimento.

(weee_eu_it_02)

СОДЕРЖАНИЕ

ПРАВИЛА ТЕХНИКИ БЕЗОПАСНОСТИ	111
УВЕДОМЛЕНИЕ	113
ИНФОРМАЦИЯ	114
ВВЕДЕНИЕ	116
Элементы, входящие в комплект	116
Справочные руководства	116
ЭЛЕМЕНТЫ УПРАВЛЕНИЯ И ФУНКЦИИ	117
Верхняя панель/боковая панель	117
Нижняя панель.....	118
УСТАНОВКА НА СТОЛЕ	119
Без монтажа на столе	119
Монтаж на столе.....	120
ОСНОВНЫЕ ТЕХНИЧЕСКИЕ ХАРАКТЕРИСТИКИ	123
Схема размеров	124

Номер модели, серийный номер, требования к источнику питания и пр. указаны на табличке с названием изделия в нижней части устройства или рядом с ней. Запишите серийный номер в расположенном ниже поле и сохраните данное руководство как подтверждение покупки; это поможет идентифицировать принадлежность устройства в случае кражи.

Номер модели.

Серийный номер.

(bottom_ru_01)

ПРАВИЛА ТЕХНИКИ БЕЗОПАСНОСТИ

ВНИМАТЕЛЬНО ПРОЧИТИТЕ ПЕРЕД ИСПОЛЬЗОВАНИЕМ

Храните данное руководство в надежном месте, чтобы к нему можно было обратиться в будущем.

Компания Yamaha не несет ответственности за повреждения, возникшие в результате ненадлежащего использования или модификаций продукта, а также за потерю или уничтожение данных.



ПРЕДУПРЕЖДЕНИЕ

Всегда соблюдайте указанные ниже основные меры предосторожности, чтобы избежать риска серьезной травмы или даже смерти в результате поражения электрическим током, короткого замыкания, повреждений, пожара и других угроз. Данные меры предосторожности включают в себя, помимо прочего, следующее.

Беречь от огня

- Не размещайте горячие предметы или источники открытого огня рядом с продуктом, поскольку это может привести к возгоранию.



ВНИМАНИЕ

Всегда соблюдайте указанные ниже основные меры предосторожности, чтобы избежать риска физической травмы для себя или других людей. Данные меры предосторожности включают в себя, помимо прочего, следующее.

Нештатные ситуации

- При возникновении любой из указанных ниже проблем немедленно отсоедините кабель LAN от продукта.
 - Кабель LAN истрепался или поврежден.
 - От продукта исходит необычный запах или дым.
 - Посторонний предмет или вода попали внутрь продукта.
 - На продукте появились трещины или другие видимые повреждения.
- Затем отнесите продукт для осмотра или ремонта в сервисный центр Yamaha.

Не открывать

- Данный продукт содержит не обслуживаемые пользователем детали. Не пытайтесь разбирать внутренние детали или модифицировать их каким-либо образом.

Беречь от воды

- Не допускайте попадания продукта под дождь, не пользуйтесь им рядом с водой, в условиях сырости или повышенной влажности. Не ставьте на аппарат какие-либо емкости с жидкостью (например, вазы, бутылки или стаканы), которая может пролиться и попасть в отверстия.

Расположение и подключение

- Для подключения продукта к инжектору PoE или сетевому коммутатору PoE используйте кабель LAN, который поддерживает технологию PoE. При использовании кабеля, который не соответствует техническим характеристикам, либо плоского или тонкого кабеля, возможно возникновение пожара или неисправностей.
- Не допускайте повреждений кабеля LAN. Несоблюдение данного требования может привести к пожару, поражению электрическим током или повреждению продукта.
 - Не ставьте тяжелые предметы на кабель.
 - Не модифицируйте кабель каким-либо образом.
 - Не используйте скобы для фиксации кабеля.
 - Не прикладывайте к кабелю излишних усилий.
 - Храните кабель подальше от горячих предметов.
- Не оставляйте продукт в неустойчивом положении или в месте, подверженном чрезмерной вибрации. Он может случайно упасть и причинить травму.
- Храните продукт в недоступном для детей месте. Данный продукт не подходит для использования в местах, где вероятно присутствие детей.
- Не устанавливайте продукт в местах, где он может контактировать с коррозионными газами или соленым воздухом. Это может стать причиной неисправности.
- Не прокладывайте кабель LAN в местах, где кто-то может за него зацепиться, например, на проходе. В этом случае это может привести к падению человека или продукта и вызвать физическую травму или повреждение продукта.
- Перед перемещением продукта отсоедините подключенный кабель LAN.
- Выполните установку согласно инструкциям в данном руководстве. Падение может привести к травме или повреждению.
- Убедитесь в том, что установка выполнена безопасно и надежно. Также периодически проводите проверку безопасности. Несоблюдение этого указания может привести к падению устройств и получению травмы.
- Если для установки продукта требуется проведение строительных работ, всегда обращайтесь в сервисный центр Yamaha. Неправильная установка может стать причиной несчастных случаев, травм, повреждения или неисправности продукта.

Меры безопасности при эксплуатации

- Не опирайтесь на продукт и не ставьте на него тяжелые предметы.

УВЕДОМЛЕНИЕ

Во избежание неисправности или повреждения продукта, повреждения данных, а также повреждения другого имущества, соблюдайте указанные ниже уведомления.

Эксплуатация и техническое обслуживание

- Не используйте продукт вблизи телевизора, радиоприемника или других электрических устройств. В противном случае продукт, телевизор или радиоприемник могут генерировать шум.
- Не устанавливайте продукт в месте, где присутствуют сильные электромагнитные поля. В противном случае это может привести к неисправности продукта.
- Не подвергайте продукт слишком сильному воздействию пыли или вибрации, чрезмерно низких или высоких температур, иначе это может вызвать деформацию, нестабильную работу или повреждение внутренних компонентов.
- Не устанавливайте продукт в местах с резкими перепадами температур. В противном случае может образоваться конденсат внутри или на поверхности продукта и вызвать поломку.
- Если существует причина образования конденсата, перед использованием оставьте продукт на несколько часов, не включая питания, пока он не высохнет полностью, чтобы предотвратить возможные повреждения.
- Не используйте кабель LAN, который соприкасается с корпусом продукта или слишком плотно вставляется в разъем.
- Не прикасайтесь к внутренней части порта пальцами или любыми металлическими предметами.
- Не ставьте на продукт виниловые, пластмассовые и резиновые предметы, т.к. это может вызвать повреждение или обесцвечивание.
- Для чистки продукта пользуйтесь мягкой сухой тканью. Не используйте разбавители краски, растворители, чистящие жидкости или салфетки, пропитанные химическими веществами, т.к. это может вызвать повреждение или обесцвечивание.



ИНФОРМАЦИЯ

Функции и данные, связанные с продуктом

- Предупреждение: Использование данного продукта в жилом помещении может вызвать радиопомехи.
- В данном продукте используется чип Dante Ultimo. Сведения о лицензиях на ПО с открытым исходным кодом для конкретного ПО см. на веб-сайте Audinate (на английском языке).
<https://www.audinate.com/software-licensing>
Условия лицензирования ПО с открытым исходным кодом, используемого в данном продукте, представлены на указанном ниже веб-сайте.
США и Канада
<https://uc.yamaha.com/support/>
Другие страны
<https://download.yamaha.com/>

О данном руководстве

- В данном руководстве используются следующие сигнальные слова для обозначения важной информации.

 ПРЕДУПРЕЖДЕНИЕ	Данная информация предупреждает о риске гибели или получения серьезных травм.
 ВНИМАНИЕ	Данная информация предупреждает о риске получения травмы.
УВЕДОМЛЕНИЕ	Указания, которые необходимо соблюдать во избежание неисправности, повреждения или нарушения работы продукта, а также потери данных.
ВАЖНО	С данной информацией необходимо ознакомиться, чтобы использовать продукт надлежащим образом.
ПРИМЕЧАНИЕ	Данная информация связана с использованием продукта. Ознакомьтесь с ней для справки.

- Иллюстрации в данном руководстве приведены только в качестве примеров.
- Названия компаний и изделий в данном руководстве являются товарными знаками или зарегистрированными товарными знаками соответствующих компаний.
- Компания Yamaha постоянно выпускает усовершенствования и обновления программного обеспечения, прилагаемого к данному продукту. Последнюю версию программного обеспечения можно загрузить с веб-сайта Yamaha.
- Несанкционированное копирование настоящего документа полностью или частично запрещено.

Сведения о передаче права владения и утилизации

- При передаче данного продукта третьей стороне приложите к нему настоящее руководство и аксессуары.
- Данный продукт содержит компоненты, подлежащие переработке. Для утилизации продукта обратитесь в соответствующие органы местного управления.

ВВЕДЕНИЕ

Благодарим за покупку микрофона граничного слоя Yamaha RM-TT. Данное устройство является настольным микрофоном на основе технологии PoE. Он совместим с технологией Dante и может использоваться в сочетании с сигнальным процессором RM-CR. Перед использованием устройства обязательно прочтите настоящее руководство.

Элементы, входящие в комплект

- Адаптер для монтажа на столе : 1
- Крепежные винты : 3
- Прокладки : 3
- Руководство по установке (настоящий документ) : 1

Справочные руководства

- Подробнее о подключении данного устройства к RM-CR см. в справочном руководстве по RM-CR.
- Подробнее о функциях и технических характеристиках данного устройства см. в справочном руководстве RM-TT.

Оба документа доступны на веб-сайте Yamaha.

США и Канада

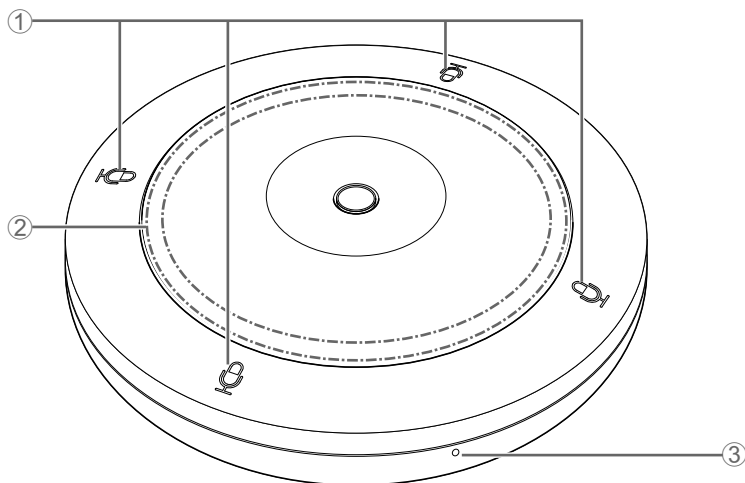
<https://us.yamaha.com/support/>

Другие страны

<https://download.yamaha.com/>

ЭЛЕМЕНТЫ УПРАВЛЕНИЯ И ФУНКЦИИ

Верхняя панель/боковая панель



① Кнопки/индикаторы на микрофоне

Коснитесь кнопки, чтобы включить или выключить микрофон. Все четыре кнопки/индикатора работают вместе.

Индикатор микрофона	Состояние микрофона
Зеленый	ВКЛ.
Красный	ВЫКЛ.

② Индикатор состояние

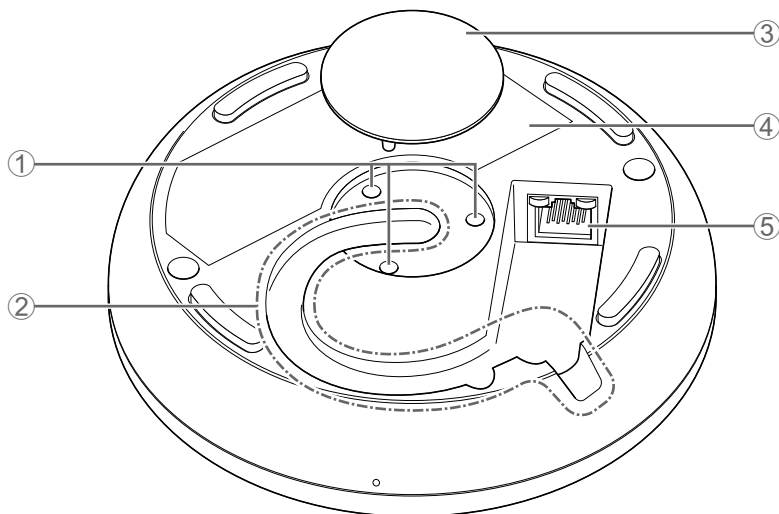
Показывает состояние данного устройства с помощью цвета и мигания. Подробнее см. в справочном руководстве RM-ТТ.

③ Кнопка сброс

Для сброса настроек используйте предмет с тонким концом и удерживайте кнопку, а затем отпустите.

Длительное нажатие	Индикатор состояние	Цель сброса
От 4 до 8 секунд	Мигает синим дважды в секунду (во время удержания кнопки и выполнения сброса настроек)	Сетевые настройки
От 8 до 12 секунд	Мигает синим трижды в секунду (во время удержания кнопки и выполнения сброса настроек)	Все настройки (автоматический перезапуск после сброса настроек)

Нижняя панель



① Отверстия для крепежных винтов

Используются для установки крепежных винтов.

② Слот для кабеля

Используйте для того, чтобы пропустить через него кабель LAN.

③ Крышка

Снимите при монтаже устройства на столе.

④ Этикетка продукта

Содержит информацию о данном устройстве и указывает на соответствие различным стандартам.

⑤ Порт Dante/PoE

Порт RJ-45, к которому можно подключить кабель LAN (CAT5e или более скоростной) через IEEE802.3af-совместимый инжектор PoE или сетевой коммутатор PoE к аппарату Dante. Подробнее об инжекторах см. в справочном руководстве RM-TT.

Уведомление : Не подключайте данный продукт к общедоступной сети Wi-Fi и/или Интернету напрямую. Подключайте продукт к Интернету только через маршрутизатор с надежной защитой паролем.

Не подключайте данный продукт к общедоступной сети Wi-Fi и/или Интернету напрямую. Подключайте продукт к Интернету только через маршрутизатор с надежной защитой паролем. Обратитесь к производителю маршрутизатора, чтобы получить информацию об оптимальных технологиях обеспечения безопасности.

: Не подключайте сюда устройства, отличные от Dante-совместимых устройств или устройств (включая компьютер) с поддержкой gigabit Ethernet.

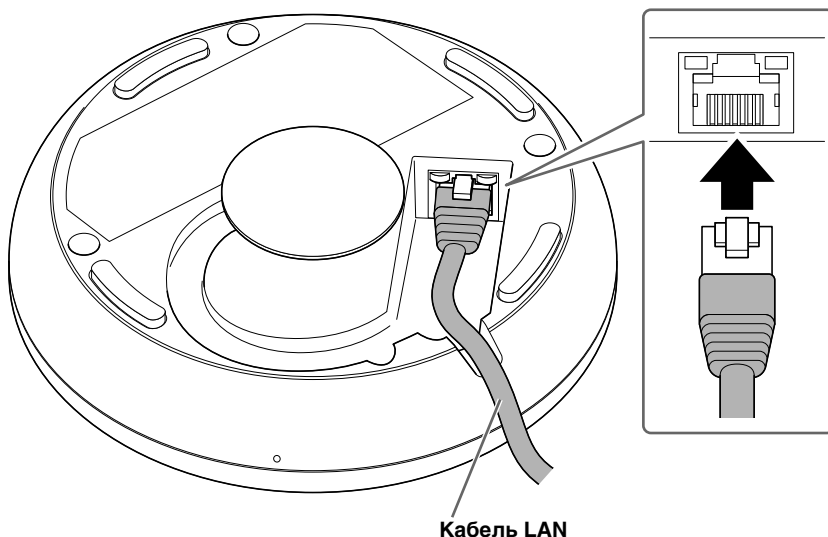
УСТАНОВКА НА СТОЛЕ

Обязательно устанавливайте данное устройство способами, описанными в настоящем руководстве.

Без монтажа на столе

1. Вставьте кабель LAN в порт Dante/PoE.

Пропустите его через слот для кабеля, как показано ниже.



Русский

Уведомление : Используйте кабель STP (Shielded Twisted Pair, экранированная витая пара), чтобы предотвратить электромагнитные помехи.

: При отключении кабеля LAN от порта Dante/PoE подождите не менее пяти секунд перед повторным подключением кабеля. В противном случае это может привести к повреждению или неисправностям.

2. Расположите данное устройство на столе.

После этого установка будет завершена.

Монтаж на столе

Подготовьте следующие элементы.

- Данное устройство
- Адаптер для монтажа на столе (далее адаптер) (прилагается)
- Крепежные винты × 3 (прилагаются)
- Прокладки × 3 (прилагаются)
- Имеющиеся в продаже потайные винты × 3
- Дрель



Внимание : Обязательно используйте потайные винты и дрель (сверло) в соответствии с материалом стола.

При использовании ненадлежащего оборудования и инструментов возможны травмы, неисправности или повреждение стола.

1. Просверлите отверстие в потолке.

Отверстие должно иметь диаметр не менее 25 мм. Используйте соответствующее сверло.



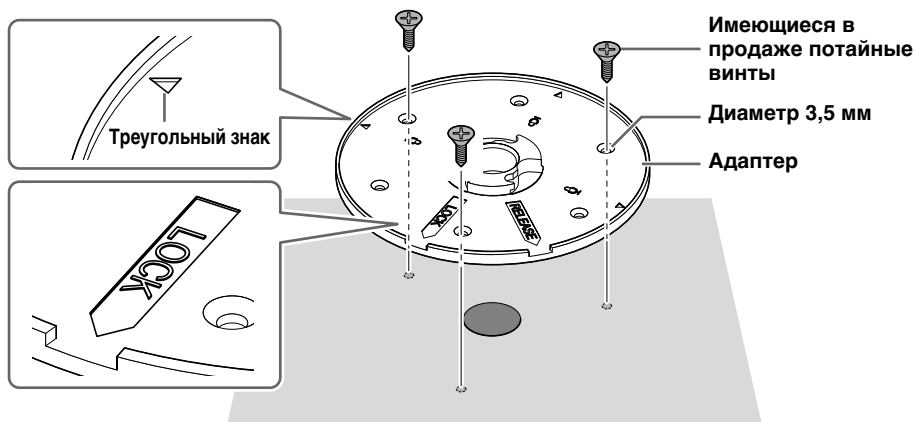
Внимание : Используйте соответствующие инструменты для сверления отверстий. При использовании ненадлежащих инструментов возможны травмы руки.

: Работайте аккуратно, чтобы мусор и пыль не попали вам в глаза во время сверления отверстий.

2. Расположите адаптер над отверстием в столе и зафиксируйте его тремя имеющимися в продаже потайными винтами.

Диаметр отверстий для потайных винтов должен составлять 3,5 мм.

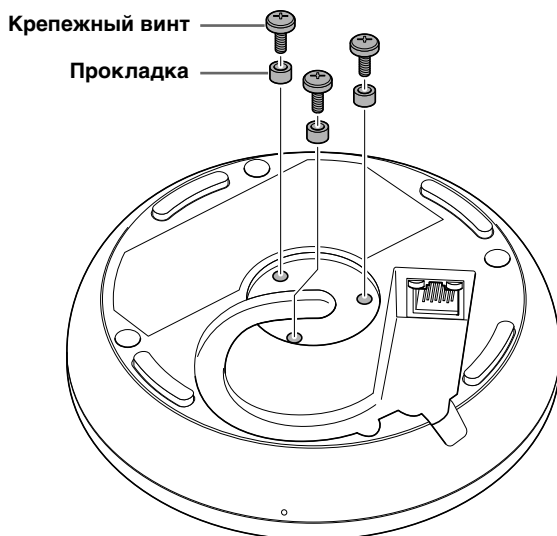
На адаптере имеется один знак LOCK и три треугольных знака. Эти четыре знака обозначают ориентацию кнопок/индикаторов микрофона после установки устройства. Используйте их в качестве указателей для определения ориентации адаптера.



ПРИМЕЧАНИЕ : Для потайных винтов имеются шесть отверстий (включая запасные). Используйте любые три из них.

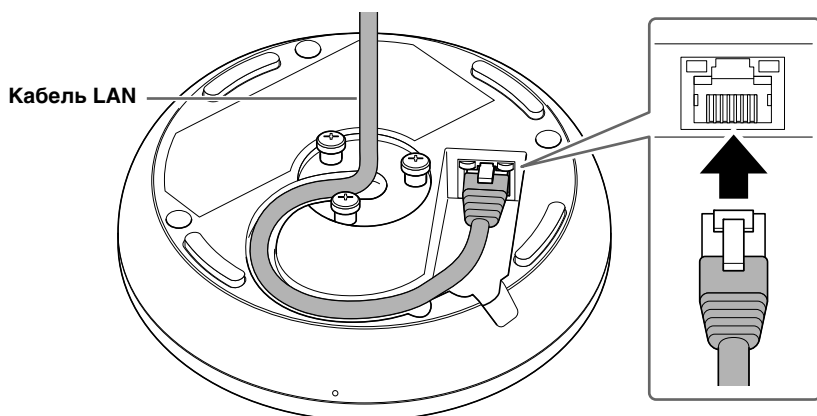
3. Снимите крышку с нижней стороны устройства и вставьте три крепежных винта в монтажные отверстия.

Поместите одну прокладку на каждый винт.



4. Вставьте кабель LAN в порт Dante/PoE.

Пропустите его через слот для кабеля, как показано ниже.



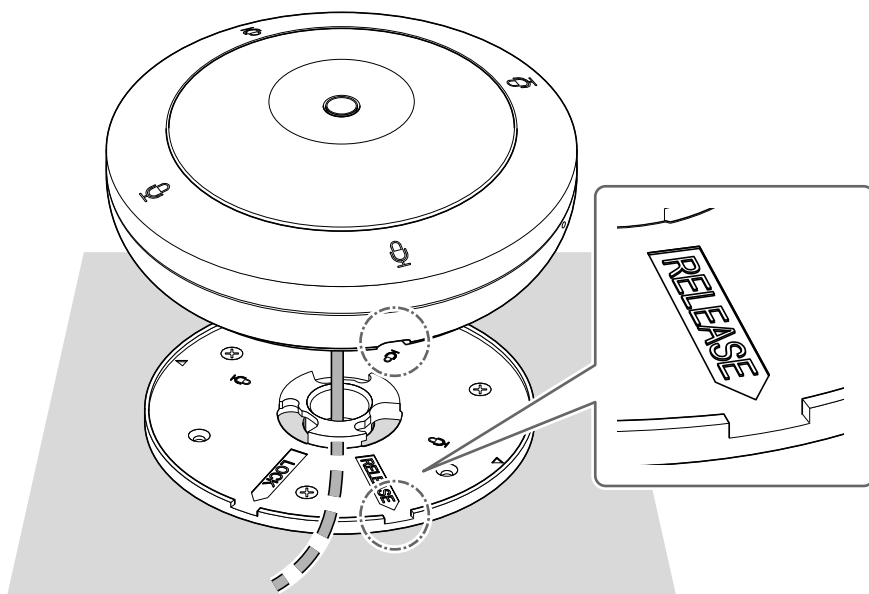
Русский

Уведомление : Используйте кабель STP (Shielded Twisted Pair, экранированная витая пара), чтобы предотвратить электромагнитные помехи.

: При отключении кабеля LAN от порта Dante/PoE подождите не менее пяти секунд перед повторным подключением кабеля. В противном случае это может привести к повреждению или неисправностям.

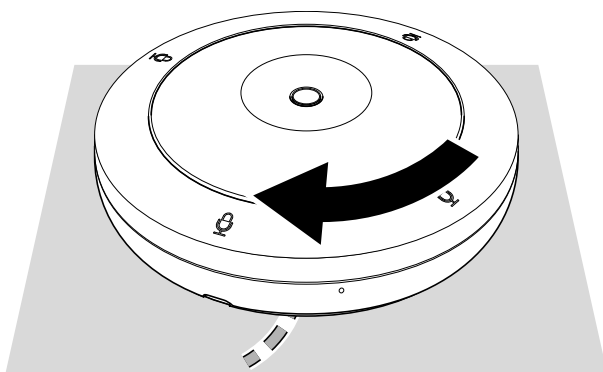
5. Пропустите кабель LAN через центр адаптера, затем расположите данное устройство на адаптере.

На адаптере имеется знак RELEASE. Совместите вырез на адаптере, обозначенный этим знаком, со слотом для кабеля на боковой стороне устройства.



6. Поверните устройство на 45° по часовой стрелке (если смотреть сверху).

После использования крепежных винтов и адаптера установка завершена.



ПРИМЕЧАНИЕ : Для перемещения устройства поверните его на 45° против часовой стрелки.

ОСНОВНЫЕ ТЕХНИЧЕСКИЕ ХАРАКТЕРИСТИКИ

Общие технические характеристики

Размеры	Ш 140,0 мм × Г 140,0 мм × В 40,0 мм (без учета выступов)	
Вес	310 g	
Требования к источнику питания	PoE (IEEE802.3af), 48 В постоянного тока	
Максимальная потребляемая мощность	4,5 Вт	
Эксплуатация	Температура	0 °C – 40 °C
	Влажность	30% – 90% (без конденсации)
Хранение	Температура	–20 °C – 60 °C
	Влажность	20% – 90% (без конденсации)
Индикаторы	<ul style="list-style-type: none">• Микрофон• Состояние• Сетевой порт	
Принадлежности	<ul style="list-style-type: none">• Адаптер для монтажа на столе : 1• Крепежный винт : 3• Прокладка : 3• Руководство по установке (настоящий документ) : 1	

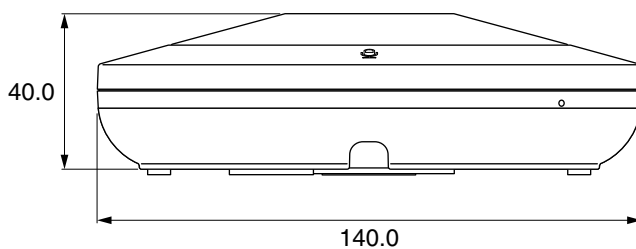
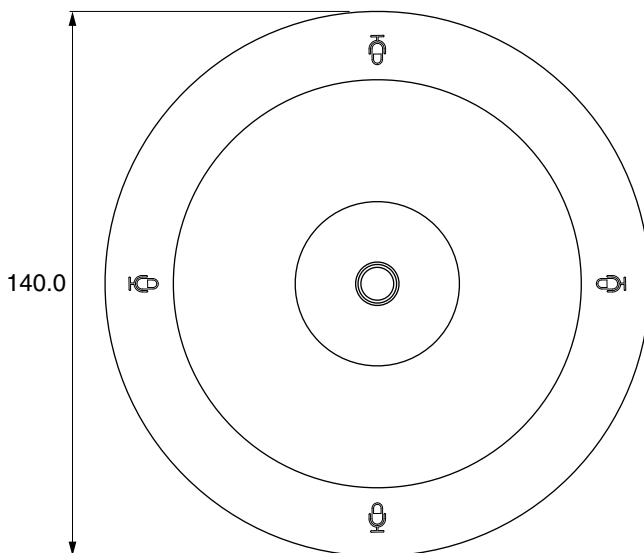
Технические характеристики сети

Порт Dante/PoE	<ul style="list-style-type: none">• Аудио Dante/Управление Dante• Пульт ДУ• PoE• Требования к кабелю CAT5e или более скоростной, STP
----------------	---

В содержании данного руководства приведены последние на момент публикации технические характеристики. Для получения последней версии руководства посетите веб-сайт корпорации Yamaha и загрузите файл с руководством.

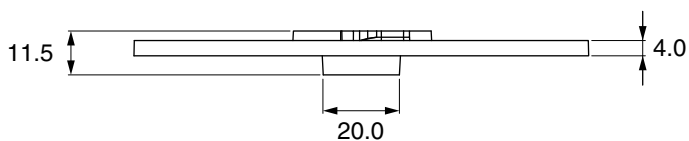
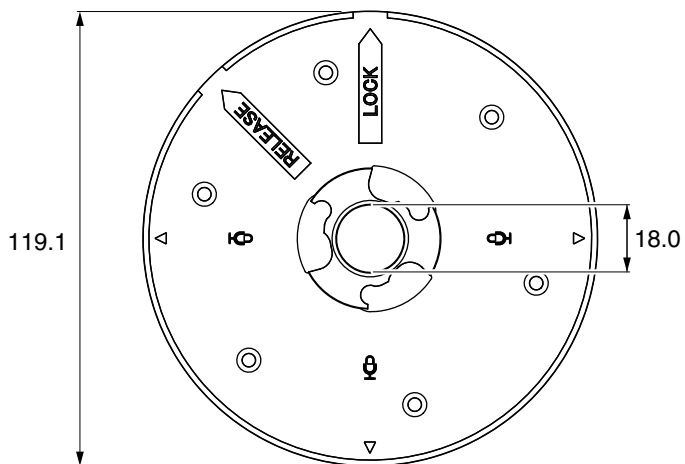
Схема размеров

Данное устройство



Единица измерения: мм

Адаптер для монтажа на столе



Единица измерения: мм

Русский

目录

注意事项.....	127
须知.....	129
信息.....	130
简介.....	132
随附物品.....	132
参考说明书.....	132
控件和功能.....	133
顶面板 / 侧面板.....	133
底面板.....	134
桌面安装.....	135
非桌面安装.....	135
桌面安装.....	136
主要规格.....	139
尺寸图.....	140

本产品的型号、序列号、电源要求等规格可能标在铭牌上或铭牌附近，铭牌位于本机底部。请将该序列号填写到下方的横线上，并妥善保存本说明书，以便在产品被盗时作为永久购买凭证使用。

型号名称

序列号

(bottom_zh_01)

注意事项

在操作之前，请务必先仔细阅读本说明书

请务必妥善保管本说明书，以便日后随时查阅。

对由于不正当使用或擅自改装本产品所造成的损坏或数据丢失或损坏，Yamaha 概不负责。

警告

务必遵循以下基本注意事项，以免因触电、短路、损坏、火灾或其他危险造成重伤甚至死亡。这些注意事项包括但不限于以下几项：

防火警告

- 请勿将任何燃烧物或明火靠近本产品，以免引起火灾。

注意

务必遵循以下基本注意事项，以免对您或他人造成人身伤害。这些注意事项包括但不限于以下几项：

如果发现任何异常

- 如果发生以下任何问题，请立即断开 LAN 缆线与本产品的连接。
 - LAN 缆线磨损或损坏。
 - 散发异味或烟雾。
 - 某些物体或水掉入产品中。
 - 产品上出现裂纹或其他明显的损坏。

然后由合格的 Yamaha 服务人员对产品进行检查或维修。

请勿打开

- 本产品不含用户可维修的部件。请勿尝试拆卸内部部件或以任何方式对其进行改装。

防水注意

- 请勿让本产品淋雨或在靠近水的地方或潮湿环境中使用，或将盛有液体的容器（如花瓶、水瓶或玻璃杯）放在其上，否则可能会导致液体溅入任何开口。

位置和连接

- 将本产品与 PoE 供电设备或 PoE 网络交换机连接时，请使用支持 PoE 的 LAN 缆线。如果连接不符合规格的缆线，或连接扁平型或细薄型缆线，可能会引起火灾或故障。
- 请勿损坏 LAN 缆线。不遵守此注意事项可能引起火灾、触电或产品损坏。
 - 请勿在缆线上放置重物。
 - 请勿以任何方式处理缆线。
 - 请勿使用订书钉将缆线固定到位。
 - 请勿对缆线施加过大的力。
 - 务必让缆线远离发热物体。
- 请勿将本产品放置在不稳的地方或剧烈振动的位置，否则可能会意外掉落并造成伤害。
- 将本产品放在儿童接触不到的地方。本产品不适合在儿童可能出现的地方使用。
- 请勿将本产品放置在可能接触腐蚀性气体或含盐份空气的地方。否则可能导致故障。
- 请勿将 LAN 缆线布设在可能有人绊倒的地方，例如，有人经过的地方。被缆线绊住可能导致人员跌倒或产品跌落，从而造成人身伤害或产品损坏。
- 移动本产品之前，请拔下连接的 LAN 缆线。
- 按照手册中指示的方式安装。跌落可能导致伤害或损坏。
- 确认已完成的安装是安全可靠的。另外，定期进行安全检查。否则可能会导致设备坠落并造成人身伤害。
- 如果产品安装需要施工，请务必咨询合格的 Yamaha 维修人员。安装不当可能导致事故、人身伤害、产品损坏或发生故障。

小心操作

- 请勿将身体重量全部压在本产品上，或在其上放置重物。

须知

为避免产品故障 / 损坏、损坏数据或损坏其他财产，请遵循以下须知。

处理和维护

- 请勿在电视、收音机或其他电子产品附近使用本产品。否则，本产品、电视或收音机可能会产生噪音。
- 请勿将本产品安装在磁场较强的地方。否则可能导致产品故障。
- 请勿将本产品暴露于灰尘过多或剧烈振动、极冷或极热的环境中，以免造成变形、操作不稳定或内部组件损坏。
- 请勿安装在温度变化较大的地方。否则，可能会在本产品的内部或表面形成冷凝，导致产品破裂。
- 如果有理由相信可能发生冷凝，请在不开启电源的情况下将本产品放置数小时，直到冷凝完全变干，以防止发损坏。
- 请勿使用接触本产品外壳或对接头施力过大的 LAN 缆线。
- 请勿用手指或任何金属物体接触端口内部。
- 请勿在本产品上放置乙烯基、塑料或橡胶物品，因为这可能导致本产品发生变化或变色。
- 清洁本产品时，请使用柔软的干布。请勿使用油漆稀释剂、溶剂、清洗液或化学品浸渍的抹布，因为这可能会导致发生变化或变色。

信息

关于本产品附带的功能 / 数据

声明

此为 A 级产品，在生活环境中，该产品可能会造成无线电干扰。在这种情况下，可能需要用户对其干扰采取切实可行的措施。

- 本产品使用 Dante Ultimo。有关特定软件的开源许可证的详细信息，请访问 Audinate 网站（英文）。

<https://www.audinate.com/software-licensing>

有关本产品中使用的开源软件的许可条款，请访问下面的网站。

美国和加拿大



<https://uc.yamaha.com/support/>

其他国家和地区

<https://download.yamaha.com/>

关于本说明书

- 本说明书使用以下信号词表示重要信息：

 警告	本内容表示“有重伤或死亡的风险”。
 注意	本内容表示“有受伤的风险”。
须知	表示为防止产品发生故障、损坏或操作不当以及数据丢失而必须遵守的内容。
重要事项	表示为正确操作和使用产品而必须知道的内容。
注	表示与操作和使用有关的信息。阅读以供参考。

- 本说明书中出现的插图仅用于说明目的。
- 本使用说明书中所使用的公司名和产品名都是各自公司的商标或注册商标。
- Yamaha 不断改进和更新本产品中包含的软件。您可以从 Yamaha 网站下载最新软件。
- 禁止未经授权复制本文档的部分或全部内容。

关于转让 / 处置

- 如果您将本产品转让给第三方，请将本说明书和附件一同转让。

保护环境

如果需要废弃设备时，请与本地相关机构联系，获取正确的废弃方法。请勿将设备随意丢弃或作为生活垃圾处理。

产品中有害物质的名称及含量

部件名称	有害物质					
	铅 (Pb)	汞 (Hg)	镉 (Cd)	六价铬 (Cr (VI))	多溴联苯 (PBB)	多溴二苯醚 (PBDE)
印刷线路板	×	○	○	○	○	○
电缆类	×	○	○	○	○	○

本表格依据 SJ/T 11364 的规定编制。

○：表示该有害物质在该部件所有均质材料中的含量均在 GB/T 26572 规定的限量要求以下。

×：表示该有害物质至少在该部件的某一均质材料中的含量超出 GB/T 26572 规定的限量要求。



此标识适用于在中华人民共和国销售的电器电子产品。标识中间的数字为环保使用期限的年数。

简介

感谢您购买 Yamaha RM-TT 界面式麦克风。本产品是 PoE 供电的桌面麦克风。它与 Dante 兼容，并可与 RM-CR 信号处理器结合使用。使用本产品前，请务必阅读本说明书。

随附物品

- 桌面安装适配器 : 1
- 安装螺钉 : 3
- 垫片 : 3
- 安装说明书（本文档）: 1

参考说明书

- 有关将本产品连接到 RM-CR 的详细信息，请参阅 RM-CR 参考说明书。
- 有关本产品的功能和规格的详细信息，请参阅 RM-TT 参考说明书。

您可以在 Yamaha 网站下载这两种说明书。

美国和加拿大

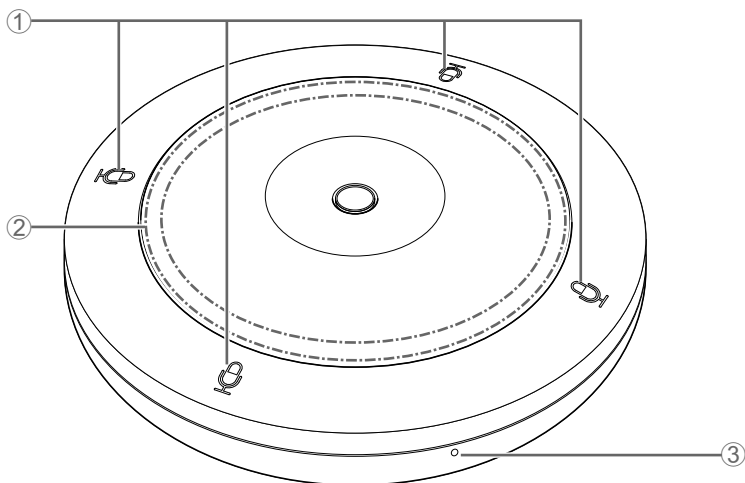
<https://uc.yamaha.com/support/>

其他国家和地区

<https://download.yamaha.com/>

控件和功能

顶面板 / 侧面板



① 麦克风按钮 / 指示灯

按下按钮可打开 / 关闭麦克风。所有四个按钮 / 指示灯协作运行。

麦克风指示灯	麦克风状态
绿色	打开
红色	关闭

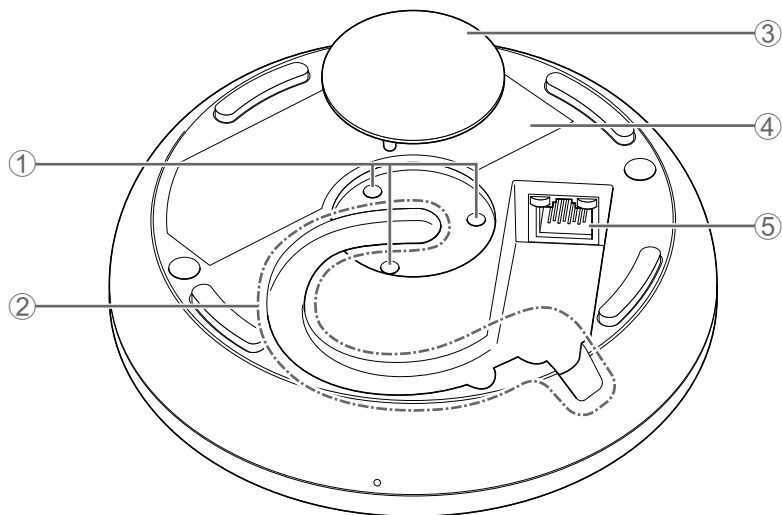
② 状态指示灯

使用颜色和闪烁模式指示本产品的状态。有关详情，请参阅 RM-TT 参考说明书。

③ 复位按钮

用细尖物体长按该按钮再松开即可复位设置。

长按	状态指示灯	复位目标
4 秒以上，8 秒以下	每秒闪烁蓝色两次 (长按 / 复位时)	网络相关设置
8 秒以上，12 秒以下	每秒闪烁蓝色三次 (长按 / 复位时)	所有设置 (复位后自动重启)



① 安装螺孔

用于安装安装螺钉。

② 缆线槽

用于布设 LAN 缆线。

③ 盖

将本产品安装到桌面时请将其拆下。

④ 产品标签

提供有关本产品的信息以及符合各种标准的标示。

⑤ Dante/PoE 端口

这是一个 RJ-45 端口，您可以通过符合 IEEE802.3af 的 PoE 供电或 PoE 网络交换机将 LAN 缆线（CAT5e 或更高等级）连接到 Dante 设备。有关供电器的详细信息，请参阅 RM-TT 参考说明书。

须知：请勿将本产品直接连接到公共 Wi-Fi 和 / 或 Internet 服务。只能通过具有强密码保护的路由器将本产品连接到 Internet。有关最佳安全实践的信息，请咨询您的路由器制造商。

：除了 Dante 兼容的设备或支持千兆以太网设备（包括计算机）外，请勿在此处连接任何设备。

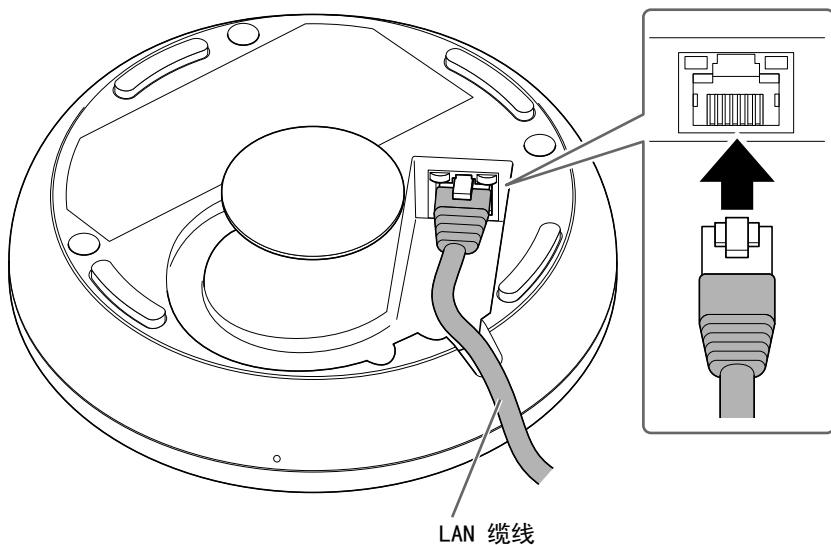
桌面安装

请务必使用本说明书中描述的方法安装本产品。

非桌面安装

1. 将 LAN 缆线插入 Dante/PoE 端口。

如下图所示穿过缆线槽。



须知：使用 STP（屏蔽双绞线）缆线防止电磁干扰。

：断开 LAN 缆线与 Dante/PoE 端口的连接时，请至少等待 5 秒钟，然后再重新连接缆线。否则可能会造成损坏或故障。

2. 将本产品放在桌面上。

安装完成。

桌面安装

进行以下准备。

- 本产品
- 桌面安装适配器（以下简称适配器）（随附）
- 安装螺钉 × 3（随附）
- 垫片 × 3（随附）
- 商用沉头螺钉 × 3
- 钻头



注意：请务必使用适合桌面材质的沉头螺钉和钻头。
使用不适当的硬件和工具可能会导致人身伤害、故障或桌面损坏。

1. 在桌面上打一个孔。

孔的直径必须至少为 25 毫米。请使用合适的钻头。

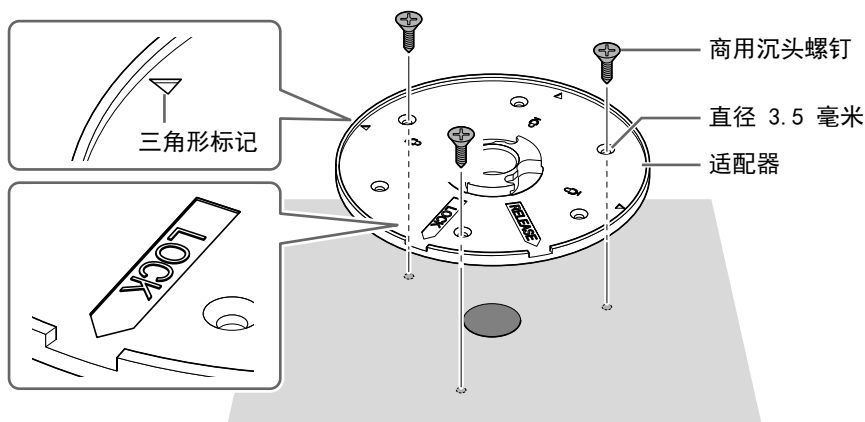


注意：请在打孔时使用合适的工具。使用不当的工具可能导致手部受伤。
：打孔时请注意避免碎屑或灰尘进入眼睛。

2. 将适配器放置在桌面的上方，并用三个商用沉头螺钉将其固定。

沉头螺钉孔的直径必须为 3.5 毫米。

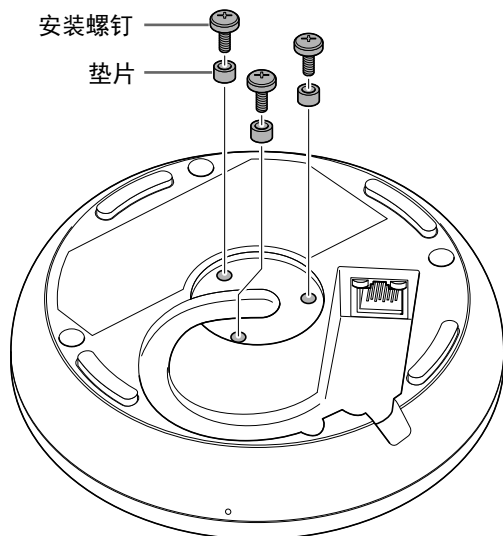
适配器上刻有一个 LOCK 标记和三个三角形标记。这四个标记表示安装本产品后麦克风按钮 / 指示灯的方向。使用这些标记来帮助确定适配器的方向。



注：有六个安装沉头螺钉的孔（包括备用部分）。使用其中任意三个。

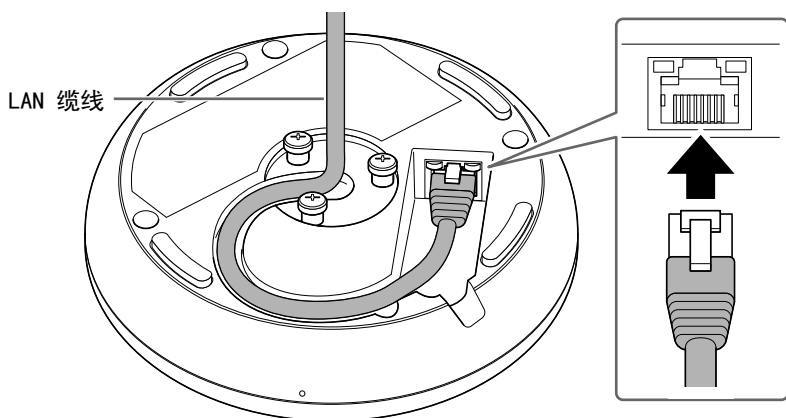
3. 从本产品底部卸下盖子，然后通过安装孔安装三个安装螺钉。

在每个螺钉上放置一个垫片。



4. 将 LAN 缆线插入 Dante/PoE 端口。

如下图所示穿过缆线槽。

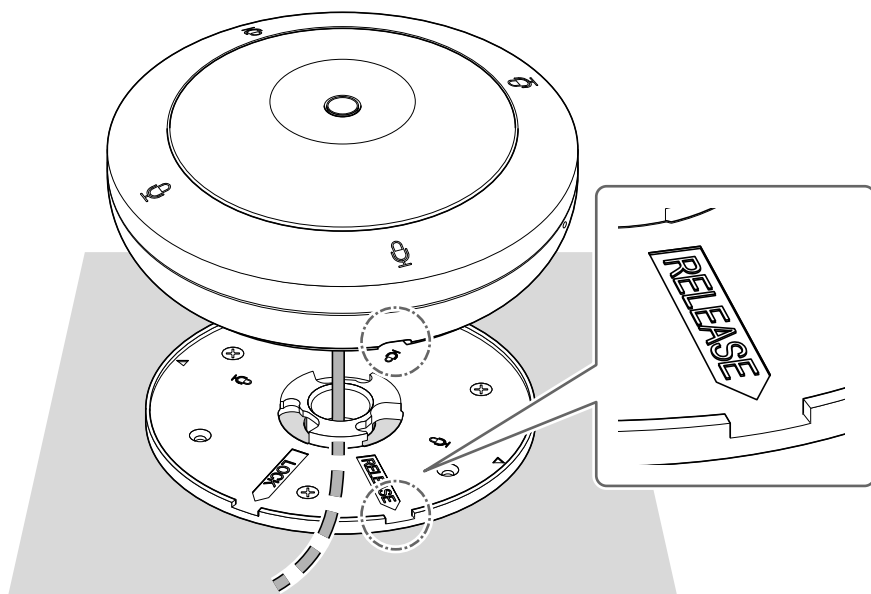


须知：使用 STP（屏蔽双绞线）缆线防止电磁干扰。

：断开 LAN 缆线与 Dante/PoE 端口的连接时，请至少等待 5 秒钟，然后再重新连接缆线。否则可能会造成损坏或故障。

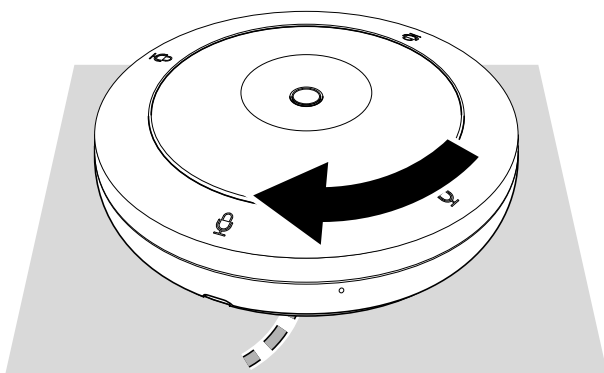
5. 将 LAN 缆线穿过适配器的中心，然后将本产品放置在适配器上。

适配器上刻有 RELEASE 标记。将该标记指示的适配器中的槽口与本产品侧面的缆线槽对齐。



6. 将本产品顺时针旋转 45°（俯视视角）

安装螺钉和适配器啮合后即表示安装完成。



注：若要卸下本产品，请将其逆时针旋转 45°。

主要规格

一般规格

尺寸	宽 140.0 mm × 深 140.0 mm × 高 40.0 mm（不包括突起部分）	
重量	310 g	
电源要求	PoE (IEEE802.3af), DC48 V	
最大功耗	4.5 W	
运行环境	温度	0° C - 40° C
	湿度	30% - 90%（非冷凝）
存储环境	温度	-20° C - 60° C
	湿度	20% - 90%（非冷凝）
指示灯	<ul style="list-style-type: none">• 麦克风• 状态• 网络端口	
配件	<ul style="list-style-type: none">• 桌面安装适配器 : 1• 安装螺钉 : 3• 垫片 : 3• 安装说明书（本文档） : 1	

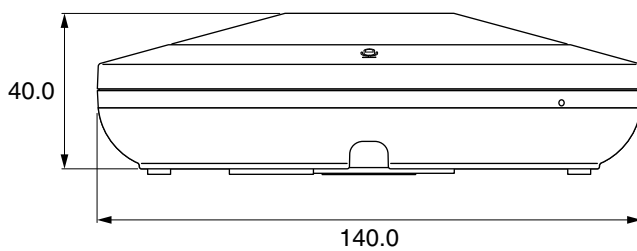
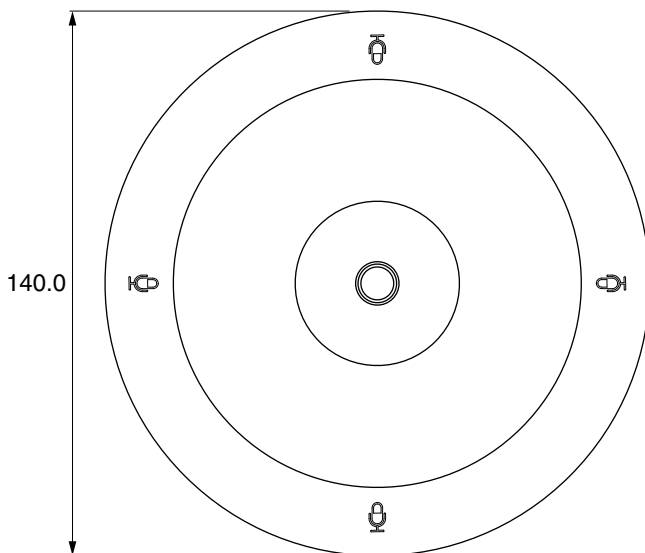
网络规格

Dante/PoE 端口	<ul style="list-style-type: none">• Dante 音频 /Dante 控件• 遥控器• PoE• 缆线要求: CAT5e 或更高规格, STP
--------------	---

本使用说明书的内容为出版时最新的技术规格。请至 Yamaha 网站下载最新版本的使用说明书。

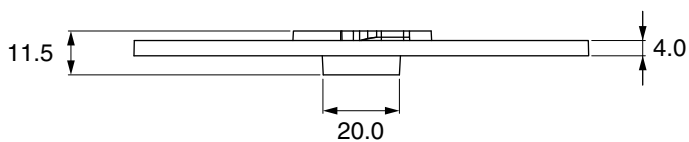
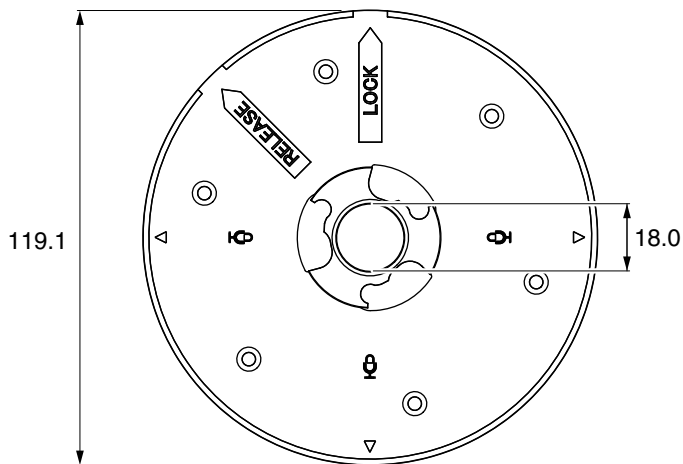
尺寸图

本产品



单位: mm

桌面安装适配器



单位: mm

목차

안전 주의사항	143
주의사항	145
정보	146
소개	148
부속품	148
참고설명서	148
컨트롤 및 기능	149
상단 패널/측면 패널	149
바닥 패널	150
테이블에 설치하기	151
테이블에 장착하지 않는 경우	151
테이블에 장착하는 경우	152
주요 사양	155
치수도	156

본 제품의 모델 번호, 일련 번호, 전원 규격 등은 기기 밑면에 있는 명판이나 명판 주위에서 확인할 수 있습니다. 도난 시 확인할 수 있도록 일련 번호를 아래 공란에 기입하고 본 사용설명서를 구매기록으로 영구 보관해야 합니다.

모델 번호

일련 번호

(bottom_ko_01)

안전 주의사항

진행하기 전에 반드시 읽어 주십시오

나중에 참고할 수 있도록 이 설명서는 안전한 곳에 보관해 주십시오.

Yamaha는 부적절하게 제품을 사용하거나 개조하여 발생한 손상, 또는 데이터 손실이나 파손에 대해 책임지지 않습니다.

경고

감전, 회로 단락, 손상, 화재 또는 기타 위험으로부터 심각한 부상을 당하거나 사망하지 않도록 하기 위해서는 아래에 열거된 기본적인 안전 주의사항에 반드시 따라 주십시오. 이들 안전 주의사항에는 다음과 같은 것을 포함하지만 그것으로 한정하지는 않습니다:

화재 경고

- 제품 근처에 연소성 물품이나 불꽃을 놓지 마십시오. 화재가 발생할 수 있습니다.

주의

여러분들 또는 타인의 신체적 부상 가능성을 피하기 위해서는 아래에 열거된 기본적인 안전 주의사항에 반드시 따라 주십시오. 이들 안전 주의사항에는 다음과 같은 것을 포함하지만 그것으로 한정하지는 않습니다:

이상 징후 발견 시

- 다음과 같은 문제가 발생하면 즉시 제품에서 LAN 케이블을 분리하십시오.
 - LAN 케이블이 닳거나 손상된 경우.
 - 이상한 냄새 또는 연기가 배출되는 경우.
 - 제품 내로 이물질이나 물이 들어간 경우.
 - 제품에 금이 갔거나 가시적인 손상이 나타난 경우.그렇게 한 후에 공식 Yamaha 서비스 담당자에게 검사나 수리를 요청하십시오.

열지 마십시오

- 본 제품에는 사용자가 수리할 수 있는 부품이 없습니다. 어떤 방식으로든 내부 부품을 분해하거나 개조하려고 하지 마십시오.

침수 주의

- 비에 젖지 않도록 하고, 물 또는 습기가 많은 장소에서 사용하거나 담겨있는 액체가 입구 등의 부위로 쏟아질 우려가 있는 용기(예: 화병, 병 또는 유리컵)를 본 제품에 올려놓지 않도록 하십시오.

위치 및 접속

- 본 제품을 PoE 인젝터 또는 PoE 네트워크 스위치와 연결할 때는 PoE를 지원하는 LAN 케이블을 사용하십시오. 사양에 따르지 않는 케이블을 연결하거나, 플랫 타입 또는 슬림 타입 케이블을 연결하면 화재 또는 오작동이 발생할 수 있습니다.
- LAN 케이블은 손상시키지 마십시오. 이들 안전 주의사항을 준수하지 않으면 화재, 감전 또는 제품 손상을 초래할 수 있습니다.
 - 케이블 위에 무거운 물체를 올려두지 마십시오.
 - 어떤 방식으로든 케이블을 가공하지 마십시오.
 - 케이블을 정해진 위치에 고정하기 위해 스테이플을 사용하지 마십시오.
 - 케이블에 과도한 힘을 가하지 마십시오.
 - 케이블은 뜨거운 것 가까이에 두지 마십시오.
- 우발적으로 떨어져서 부상을 초래할 수 있으므로 제품을 불안정한 곳이나 진동이 과다한 곳에 두지 마십시오.
- 본 제품은 어린이의 손이 닿지 않는 곳에 두십시오. 본 제품은 어린이 등이 있는 곳에서 사용하기에는 적절하지 않습니다.
- 부식성 가스나 염기와 접촉할 수 있는 장소에 제품에 두지 마십시오. 오작동이 발생할 수 있습니다.
- 사람들이 지나가는 장소 등 케이블에 걸려서 넘어질 수 있는 장소에 LAN 케이블을 배선하지 마십시오. 케이블에 걸리면 사람 또는 본 제품이 넘어져서 인적 부상 또는 제품 손상을 초래할 수 있습니다.
- 제품을 이동시키기 전에 연결된 LAN 케이블을 제거하십시오.
- 설명서에 지시된 방식으로 설치하십시오. 떨어질 경우 부상이나 손상을 초래할 수 있습니다.
- 설치가 안전하고 견고한지 확인하십시오. 또한 주기적으로 안전 점검을 실시하십시오. 이를 지키지 않으면 장치가 떨어져 부상을 입을 수 있습니다.
- 제품 설치에 공사가 필요한 경우에는 반드시 공식 Yamaha 서비스 담당자에게 상의해 주십시오. 적절하게 설치하지 않으면 사고, 부상, 본 제품의 손상 또는 오작동을 초래할 수 있습니다.

취급상 주의

- 제품에 체중을 실거나 무거운 물체를 올려두지 마십시오.

주의사항

제품의 오작동/손상, 데이터 손상 또는 기타 재산 피해의 가능성을 방지하려면 아래 주의사항을 따르십시오.

취급 및 유지보수

- TV, 라디오 또는 기타 전자제품 부근에서 본 제품을 사용하지 마십시오. 그렇게 하지 않으면 제품, TV 또는 라디오에 노이즈가 발생할 수 있습니다.
- 자기장이 강한 곳에 제품을 설치하지 마십시오. 그럴 경우 제품이 오작동을 일으킬 수 있습니다.
- 미관을 해치거나, 조작이 불안정해지거나, 내부 구성부품이 손상되는 것을 방지하기 위해서는 제품이 과도한 먼지나 진동 또는 매우 춥거나 더운 곳에 노출되지 않도록 하십시오.
- 기온 변화가 심한 곳에는 설치하지 마십시오. 그렇게 하지 않으면 제품 내부 또는 표면이 응결되어서 고장의 원인이 됩니다.
- 응결되었다고 여겨지는 이유가 있다면 손상을 방지하기 위해 응결이 완전히 제거될 때까지 전원을 켜지 않은 상태로 여러 시간 제품을 방치해 주십시오.
- 제품 케이스와 접촉하거나 커넥터에 무리한 힘을 가하는 LAN 케이블을 사용하지 마십시오.
- 손가락이나 금속 물체로 포트 내부를 만지지 마십시오.
- 변형 또는 변색을 유발할 수 있으므로 본 제품 위에 비닐, 플라스틱 또는 고무 제품을 올려놓지 마십시오.
- 제품을 닦을 때는 부드럽고 마른 천을 사용하십시오. 변형 또는 변색을 유발할 수 있으므로 페인트 시너, 용제, 세척액 또는 화학적으로 침윤된 걸레를 사용하지 마십시오.



정보

제품에 부착된 기능/데이터에 관해서

- 이 기기는 업무용 환경에서 사용할 목적으로 적합성평가를 받은 기기로서 가정용 환경에서 사용하는 경우 전파간섭의 우려가 있습니다.
- 본 제품은 Dante Ultimo를 사용합니다. 특정 소프트웨어에 관한 오픈 소스 라이선스에 관한 자세한 내용은 Audinate 웹사이트(영문)를 참조하십시오.
<https://www.audinate.com/software-licensing>
- 본 제품에 사용되는 오픈 소스 소프트웨어의 인허가 조건에 관해서는 아래 웹사이트를 참조하십시오.
미국 및 캐나다
<https://uc.yamaha.com/support/>
기타 국가
<https://download.yamaha.com/>

본 설명서에 관해서

- 본 사용설명서는 중요한 정보에 대해 다음과 같은 표시 단어를 사용합니다:

 경고	이 사항은 “중상 또는 사망의 위험”을 의미합니다.
 주의	이 사항은 “부상의 위험”을 의미합니다.
주의사항	제품 고장, 손상, 오작동 방지 및 데이터 손실을 피하기 위해 준수해야 하는 사항을 나타냅니다.
중요	제품을 올바르게 조작하고 사용하기 위해 알아야 하는 사항을 나타냅니다.
주	조작과 사용에 관련된 정보를 나타냅니다. 참고용으로 읽어 주십시오.

- 본 사용설명서에 수록된 그림은 설명 용도로만 사용됩니다.
- 본 사용설명서에 기재된 회사명과 제품명은 각 회사의 상표 또는 등록 상표입니다.
- Yamaha는 본 제품에 포함된 소프트웨어를 지속적으로 개선하고 업데이트합니다. Yamaha 웹 사이트에서 최신 소프트웨어를 다운로드할 수 있습니다.
- 본 문서의 일부 또는 전체를 무단으로 복사하는 것은 금지되어 있습니다.

양도/폐기에 대해

- 제품을 제 3자에게 양도할 경우에는 본 설명서와 부속품을 함께 전달하십시오.
- 본 제품에는 재활용할 수 있는 구성부품이 포함되어 있습니다. 본 제품을 폐기할 때에는 해당 지자체에 연락해 주십시오.

소개

Yamaha RM-TT 바운더리 마이크를 구입해 주셔서 감사합니다. 본 기기는 PoE 전원을 사용하는 테이블용 마이크입니다. Dante와 호환되며 RM-CR 신호 프로세서와 함께 사용할 수 있습니다. 기기를 사용하기 전에 이 설명서를 읽으십시오.

부속품

- 테이블탑 마운트 어댑터 : 1
- 장착 나사 : 3
- 스펜서 : 3
- 설치설명서 (본 문서) : 1

참고설명서

- 본 기기를 RM-CR에 연결하는 방법에 대한 자세한 내용은 RM-CR 참고설명서를 참조하십시오.
 - 본 기기의 기능 및 사양에 대한 자세한 내용은 RM-TT 참고설명서를 참조하십시오.
- 두 설명서는 모두 Yamaha 웹 사이트에서 제공됩니다.

미국 및 캐나다

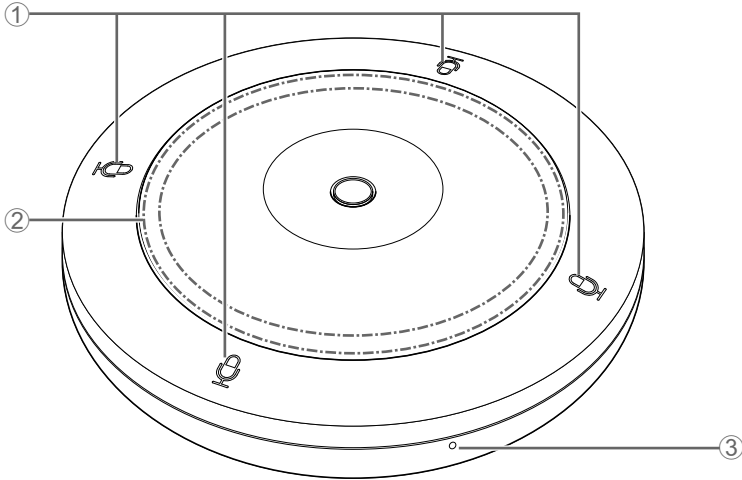
<https://uc.yamaha.com/support/>

기타 국가

<https://download.yamaha.com/>

컨트롤 및 기능

상단 패널/측면 패널



① 마이크 버튼/표시등

버튼을 터치하여 마이크를 켜거나 끕니다. 4개의 버튼/표시등이 모두 함께 작동합니다.

마이크 표시등	마이크 상태
녹색	켜짐
빨간색	꺼짐

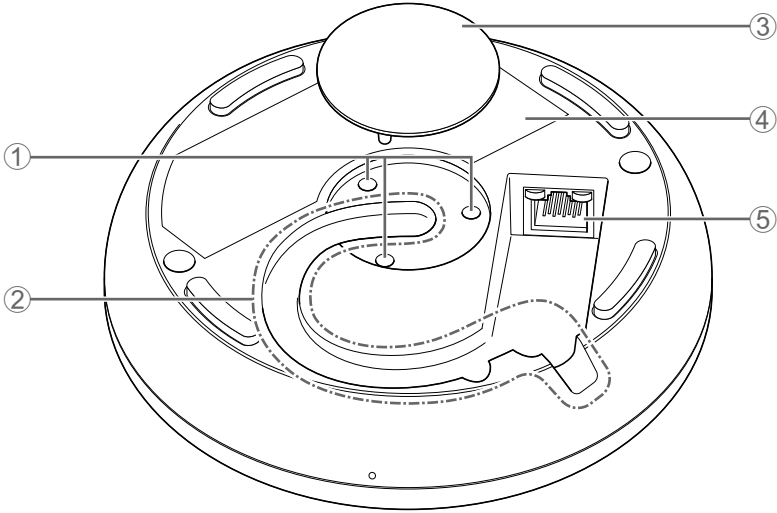
② 상태 표시등

색상과 점멸 패턴을 사용하여 본 기기의 상태를 나타냅니다. 자세한 내용은 RM-TT 참고설명서를 참조하십시오.

③ 리셋 버튼

끝이 가는 물체로 길게 눌렀다가 놓아 설정을 리셋하는 데 사용합니다.

길게 누르기	상태 표시등	리셋 대상
4초~8초 미만	초당 파란색이 두 번 점멸 (길게 누르기/리셋 중)	네트워크 관련 설정
8초~12초 미만	초당 파란색이 세 번 점멸 (길게 누르기/리셋 중)	모든 설정 (리셋 후 자동으로 재시작)



① 장착 나사 구멍

장착 나사를 설치하는 데 사용합니다.

② 케이블 슬롯

LAN 케이블 연결 시에 사용합니다.

③ 캡

본 기기를 테이블 위에 장착할 때 제거합니다.

④ 제품 라벨

본 기기에 대한 정보와 다양한 표준에 대한 적합성 표시를 제공합니다.

⑤ Dante/PoE 포트

이 포트는 IEEE802.3af 호환 PoE 인젝터 또는 PoE 네트워크 스위치를 통해 Dante 기기에 LAN 케이블 (CAT5e 이상) 을 연결할 수 있는 RJ-45 포트입니다. 인젝터에 대한 자세한 내용은 RM-TT 참고설명서를 참조하십시오.

주의사항 : 본 제품은 공용 Wi-Fi 및/또는 인터넷 서비스에 직접 연결하지 마십시오. 패스워드 보호 기능이 강력한 라우터를 통해서만 인터넷에 본 제품을 연결해 주십시오. 최적의 보안 사례에 관한 정보는 라우터 제조사에 문의해 주십시오.

: Dante 호환 장치 이외의 장치나 기가비트 이더넷을 지원하는 장치 (컴퓨터 포함) 를 여기에 연결하지 마십시오.

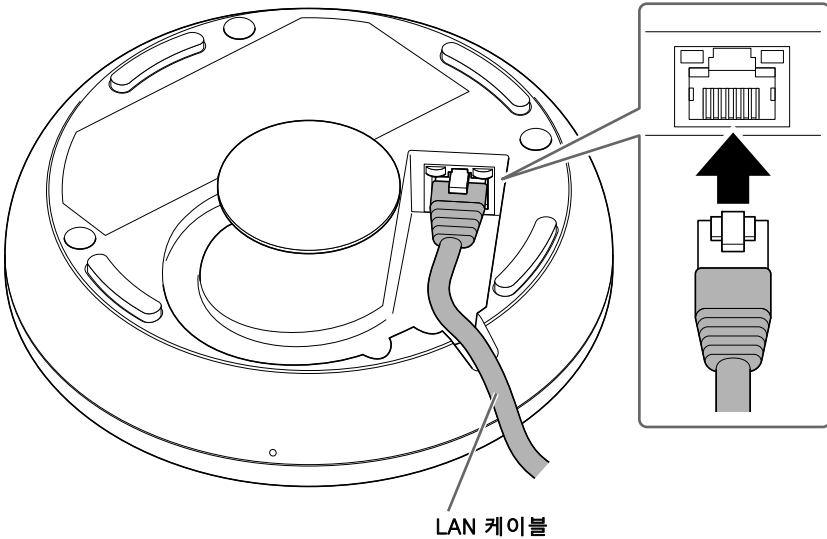
테이블에 설치하기

이 설명서에 설명된 방법을 사용하여 본 기기를 설치하십시오.

테이블에 장착하지 않는 경우

1. LAN 케이블을 Dante/PoE 포트에 연결합니다.

아래와 같이 케이블 슬롯을 통과합니다.



주의사항 : 전자기 간섭을 방지하려면 STP (차폐연선) 케이블을 사용하십시오.

: Dante/PoE 포트에서 LAN 케이블을 분리한 경우 케이블을 다시 연결하기 전에 5초 이상 기다리십시오. 그렇지 않으면 손상 또는 오작동이 발생할 수 있습니다.

2. 본 기기를 테이블 위에 놓습니다.

이것으로 설치가 완료됩니다.

테이블에 장착하는 경우

다음을 준비하십시오.

- 본 기기
- 테이블탑 마운트 어댑터 (이후 어댑터라고 함)(포함)
- 장착 나사 ×3(포함)
- 스페이서 ×3(포함)
- 시중에서 구입 가능한 접시머리 나사 ×3
- 드릴



주의: 테이블 재질에 적합한 접시머리 나사와 드릴 (비트)을 사용하십시오.

부적절한 하드웨어 및 도구를 사용하면 부상이나 오작동 또는 테이블 손상이 발생할 수 있습니다.

1. 테이블에 구멍내기.

구멍 지름은 25mm 이상이어야 합니다. 적절한 드릴 비트를 사용하십시오.



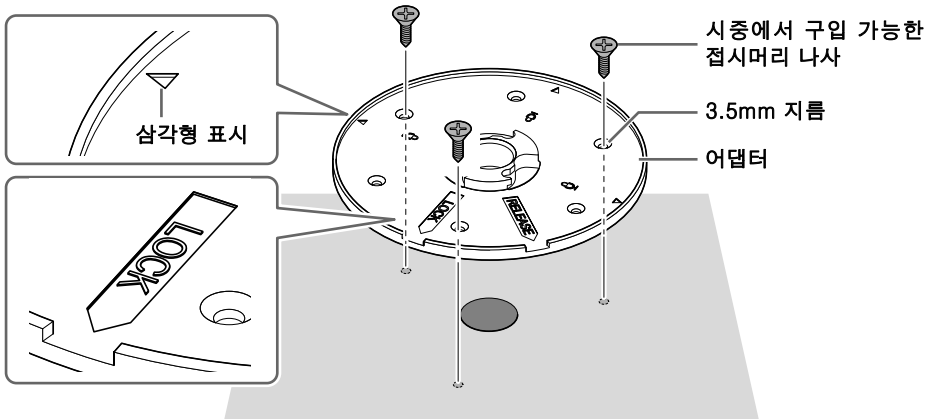
주의: 구멍을 낼 때는 적절한 도구를 사용하십시오. 부적절한 도구를 사용하면 손에 부상을 입을 수 있습니다.

: 구멍을 낼 때 눈에 이물질이나 먼지가 들어가지 않도록 주의하십시오.

2. 어댑터를 테이블의 구멍 위에 놓고 시중에서 구입 가능한 세 개의 접시머리 나사로 고정합니다.

접시머리 나사 구멍의 지름은 3.5mm여야 합니다.

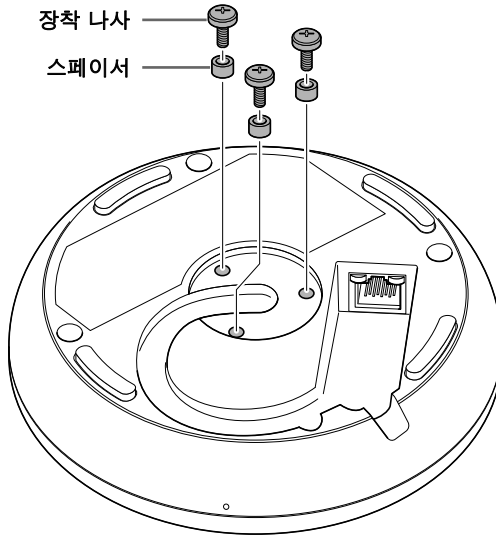
어댑터에는 1개의 LOCK 표시와 3개의 삼각형 표시가 새겨져 있습니다. 이 네 개의 표시는 기기가 설치되었을 때 마이크 버튼/표시등의 방향을 나타냅니다. 어댑터의 방향을 결정하기 위한 가이드로 사용하십시오.



주: 접시머리 나사를 위한 6개의 구멍(예비 포함)이 있습니다. 그중 세 개를 사용하십시오.

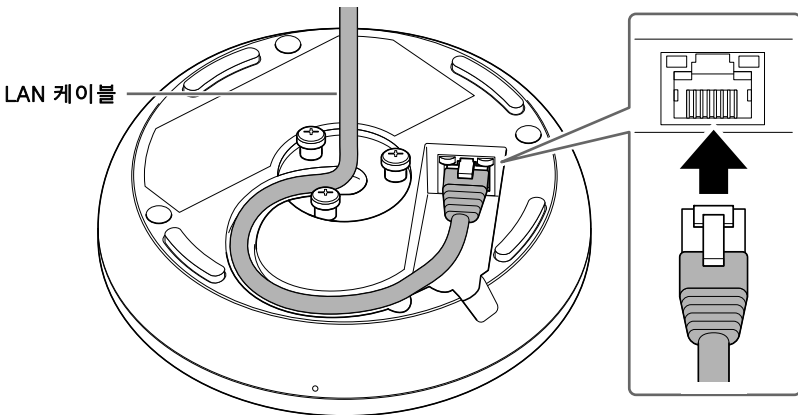
3. 본 기기 밑면에서 캡을 제거한 다음 장착 구멍을 통해 장착 나사 3개를 설치합니다.

각 나사에 스페이서 1개를 넣습니다.



4. LAN 케이블을 Dante/PoE 포트에 연결합니다.

아래와 같이 케이블 슬롯을 통과합니다.

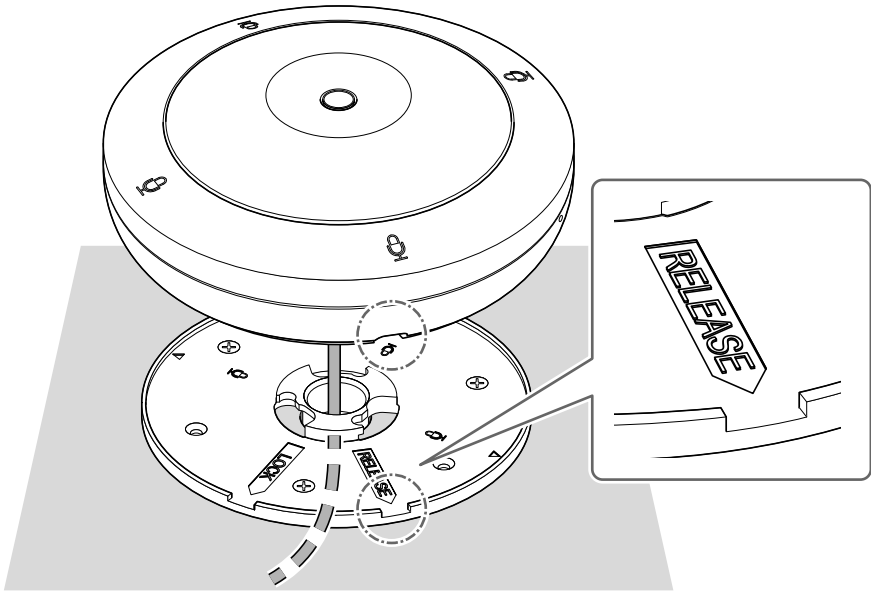


주의사항 : 전자기 간섭을 방지하려면 STP(차폐연선) 케이블을 사용하십시오.

: Dante/PoE 포트에서 LAN 케이블을 분리한 경우 케이블을 다시 연결하기 전에 5초 이상 기다리십시오. 그렇지 않으면 손상 또는 오작동이 발생할 수 있습니다.

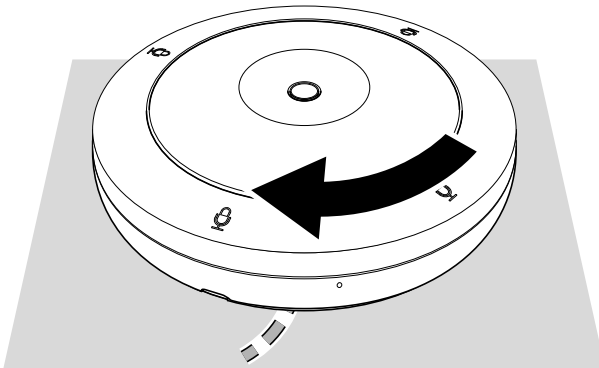
5. LAN 케이블을 어댑터 중앙으로 통과시킨 다음 본 기기를 어댑터 위에 놓습니다.

어댑터에는 RELEASE 마크가 새겨져 있습니다. 이 표시가 있는 어댑터의 노치를 기기 측면의 케이블 슬롯에 맞춥니다.



6. 기기를 시계 방향으로 45° 회전합니다(위에서 볼 때).

장착 나사와 어댑터를 체결하면 설치가 완료됩니다.



주: 기기를 분리하려면 시계 반대 방향으로 45° 회전하십시오.

주요 사양

일반 사양

치수	가로 140.0 mm × 세로 140.0 mm × 높이 40.0 mm (돌출부 제외)	
무게	310 g	
전원 요구 사항	PoE(IEEE802.3af), DC48 V	
최대 소비 전력	4.5 W	
작동 시	온도	0 °C – 40 °C
	습도	30% – 90%(응결 없음)
보관	온도	-20 °C – 60 °C
	습도	20% – 90%(응결 없음)
표시등	<ul style="list-style-type: none"> • 마이크 • 상태 • 네트워크 포트 	
부속품	<ul style="list-style-type: none"> • 테이블탑 마운트 어댑터 : 1 • 장착 나사 : 3 • 스페이서 : 3 • 설치설명서 (본 문서) : 1 	

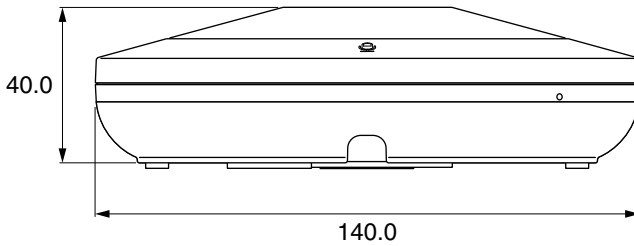
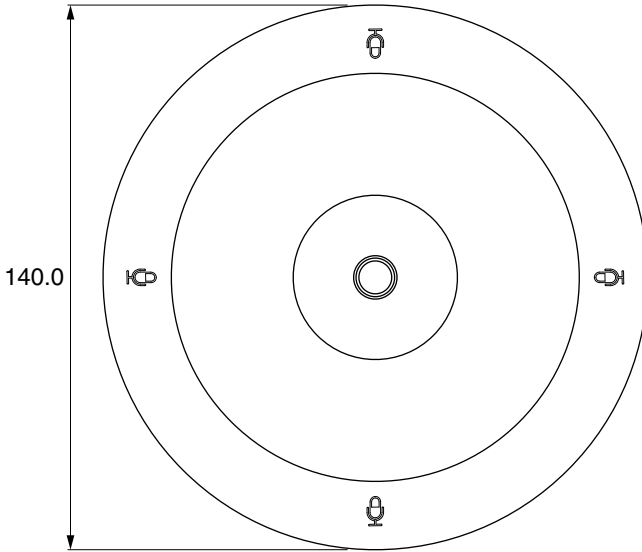
네트워크 사양

Dante/PoE 포트	<ul style="list-style-type: none"> • Dante 오디오/Dante 제어 • 리모컨 • PoE • 케이블 요구 사항: CAT5e 이상, STP
--------------	--

본 설명서의 내용은 발행일 현재 최신 사양을 기준으로 하고 있습니다. 최신 설명서를 가져오려면 Yamaha 웹사이트에 접속 후 해당 설명서 파일을 다운로드 받으십시오.

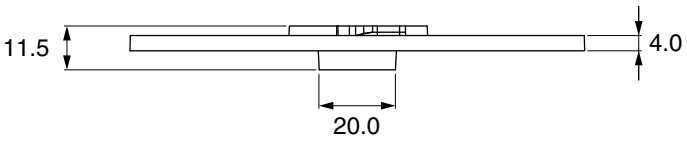
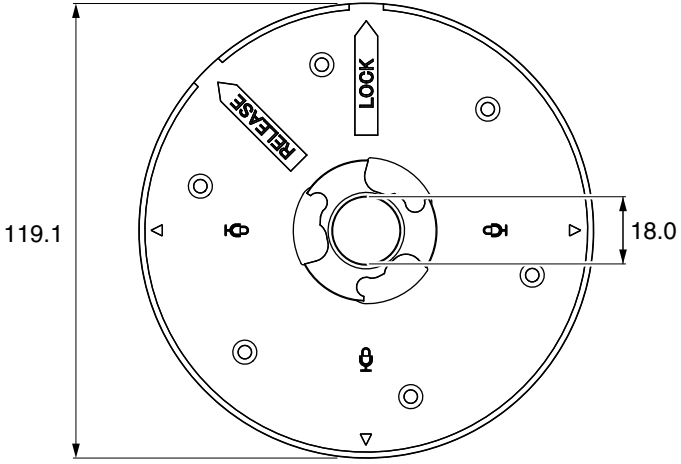
치수도

본 기기



단위 : mm

테이블탑 마운트 어댑터



단위 : mm

目次

安全上のご注意.....	159
使用上のご注意.....	163
お知らせ.....	164
はじめに.....	166
付属品.....	166
リファレンスマニュアルのご案内.....	166
各部の名称と機能.....	167
天面／側面.....	167
底面.....	168
卓上への設置.....	169
テーブルに固定せずに使用する場合.....	169
テーブルに固定して使用する場合.....	170
主な仕様.....	173
寸法図.....	174

機種名（品番）、製造番号（シリアルナンバー）、電源条件などの情報は、製品の底面にある銘板または銘板付近に表示されています。製品を紛失した場合などでもご自身のものを特定していただけるよう、機種名と製造番号については以下の欄にご記入の上、大切に保管していただくことをおすすめします。

機種名

製造番号

(bottom_ja_02)

安全上のご注意

ご使用前に、必ずよくお読みください。

必ずお守りください


ここに示した注意事項は、製品を安全に正しくご使用いただき、お客様や他の方々への危害や財産への損害を未然に防止するためのものです。

お読みになったあとは、本製品を使用される方がいつでも見られるところに必ず保管してください。

データが破損したり失われた場合の補償や、不適切な使用や改造により故障した場合の補償はいたしかねますので、ご了承ください。

記号表示について

本製品や施工説明書に表示されている記号には、次のような意味があります。

注意喚起を示す記号	禁止を示す記号	行為を指示する記号
		



警告

「死亡する可能性または重傷を負う可能性が想定される」内容です。

火に注意



禁止

本製品の近くで、火気を使用しない。

火災の原因になります。



注意 「傷害を負う可能性が想定される」内容です。

異常に気づいたら



必ず実行

下記のような異常が発生した場合、すぐにLANケーブルを本製品から抜く。

- LANケーブルが破損した場合
- 製品から異常なおいや煙が出た場合
- 製品の内部に水や異物が入った場合
- 製品に亀裂、破損がある場合

そのまま使用を続けると、感電や火災、または故障のおそれがあります。至急、お買い上げの販売店またはヤマハ修理ご相談センターに点検や修理をご依頼ください。

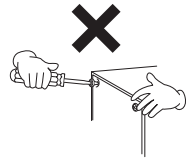
分解禁止



禁止

本製品を分解したり改造したりしない。

感電や火災、けが、または、故障の原因になります。本製品の内部には、お客様が修理／交換できる部品はありません。



水に注意



禁止

- 本製品の上に花瓶や薬品など液体の入ったものを置かない。
- 浴室や雨天時の屋外など湿気の多いところで使用しない。

内部に水などの液体が入ると、感電や火災、または故障の原因になります。

設置と接続



必ず実行

本製品とPoEインジェクターまたはPoEネットワークスイッチとの接続には、PoE対応のLANケーブルを使用する。

規格に適合していないケーブルやフラットタイプやスリムタイプのケーブルを接続すると、火災や故障の原因になります。



禁止

LANケーブルが破損するようなことをしない。

- ストープなどの熱器具に近づけない
- 無理に曲げない
- ステーブルで止めない
- 傷つけない
- LANケーブルに重いものをのせない

感電や火災の原因になります。



禁止

不安定な場所や振動の多い場所に置かない。

本製品が落下して故障したり、けがをしたりする原因になります。



禁止

本製品を子供の手の届くところに置かない。

本製品は子供がいる可能性のある場所での使用には適していません。



禁止

塩害や腐食性ガスが発生する場所に設置しない。

故障の原因になります。



禁止

LANケーブルは人が通るところなど引っかかりやすい場所に這わせない。

つまづいて転倒したり、本製品が落下して破損したり、けがをしたりする原因になります。



必ず実行

本製品を移動するときは、必ずLANケーブルを外した上で行う。

LANケーブルをいためたり、お客様や他の方々が転倒したりするおそれがあります。



必ず実行

本製品を卓上に取り付ける場合は、必ず本書記載の方法で設置する。

けがや故障の原因になります。



必ず実行

設置後は必ず安全性を確認する。定期的に安全点検を実施する。

落下して、けがをする可能性があります。



必ず実行

取り付け工事は、必ず専門の施工業者に依頼する。

不適切な取り付けは、事故やけが、本製品の損傷や故障の原因となります。

取り扱い



禁止

本製品の上にとったり重いものをのせたりしない。

本製品が破損したり、けがをしたりする原因になります。

使用上のご注意

製品の故障、損傷や誤動作、データの損失を防ぐため、以下の内容をお守りください。

製品の取り扱い／お手入れに関するご注意

- テレビやラジオなど、他の電気製品の近くで使用しない。
本製品、または他の電子機器に雑音が生じる原因になります。
- 本製品を磁力の強い場所に設置しない。
動作不良の原因になります。
- 極端に温度の高いところや低いところ、ほこりや振動の多いところで使用しない。
本製品が変形したり、内部の部品が故障したり、動作が不安定になったりする原因になります。
- 温度変化が激しい場所に設置しない。
製品内部や表面に結露が発生し、故障したりする原因になります。
- 結露が発生しているおそれがあるときは、しばらく放置してから電源を入れる。
結露した状態で電源が入ると、故障の原因になります。
- 本体ケースと接触して、コネクタ部分に無理な力が加わる形状の LAN ケーブルは使用しない。
- 端子内部を指や金属などで触れない。
- 本製品上にビニール製品やプラスチック製品、ゴム製品などを置かない。
変色／変質の原因になります。
- お手入れのときは、乾いた柔らかい布を使用する。ベンジン、シンナー、洗剤、化学ぞうきんなどで製品の表面を拭かない。
変色／変質の原因になります。

お知らせ

製品の機能／データに関するお知らせ

- ・ 本製品は、クラス A 機器です。本製品を住宅環境で使用すると電波妨害を引き起こすことがあります。この場合には、使用者が適切な対策を講ずるよう要求されることがあります。(VCCI-A)
- ・ 本製品は Dante Ultimo を使用しています。使用しているオープンソースソフトライセンスについては、Audinate 社のウェブサイト（英語）をご覧ください。



<https://www.audinate.com/software-licensing>

- ・ 本製品で使用しているオープンソースソフトウェアのライセンス条文は下記のウェブサイトにて公開されています。

<https://download.yamaha.com/>

施工説明書の記載内容に関するお知らせ

- ・ 本書に表示されている記号とその内容は以下のとおりです。

 警告	「死亡する可能性または重傷を負う可能性が想定される」内容です。
 注意	「傷害を負う可能性が想定される」内容です。
ご注意	製品の故障、損傷や誤動作、データの損失を防ぐため、お守りいただく内容です。
重要	製品を正しく操作、運用するために、必ず知っておいていただきたい内容です。
メモ	操作や運用に関連した情報です。参考にお読みください。

- ・ この施工説明書に掲載されているイラストは、すべて説明のためのものです。
- ・ 本書に記載されている会社名および商品名などは各社の登録商標または商標です。
- ・ 弊社では製品のソフトウェアを継続的に改善しています。最新版はヤマハウェブサイトからダウンロードできます。
- ・ 本書の記載内容の一部または全部を無断で転載することを禁じます。

製品の譲渡／廃棄に関するお知らせ

- 本製品を譲渡する際は、本書と付属品もあわせて譲渡してください。
- 本製品は、リサイクル可能な部品を含んでいます。廃棄される際には、廃棄する地方自治体にお問い合わせください。

はじめに

このたびはヤマハ バウンダリーマイクロフォン RM-TT をお買い求めいただき、まことにありがとうございます。本製品は PoE 受電駆動の卓上設置型マイクロフォンです。Dante に対応しており、シグナルプロセッサ RM-CR と組み合わせてご使用いただけます。ご使用前に本書を必ずお読みください。

付属品

- テーブルトップマウントアダプター : 1 個
- マウント用ネジ : 3 本
- スペーサー : 3 個
- 施工説明書 (本書) : 1 冊
- 保証書とアフターサービス : 1 枚

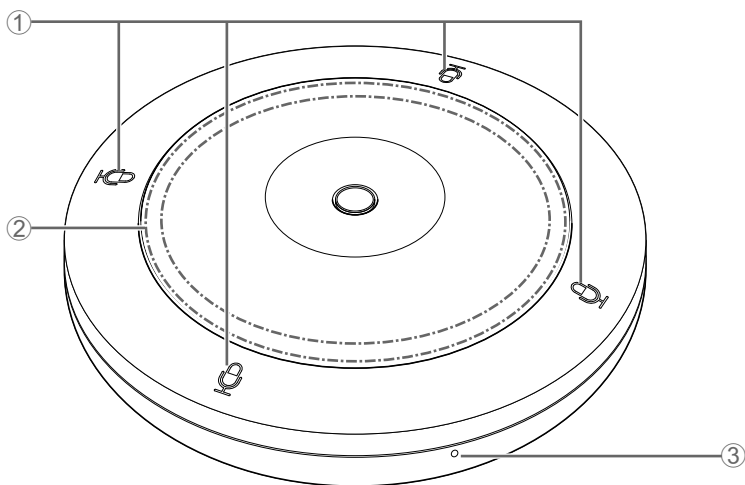
リファレンスマニュアルのご案内

- 本製品と RM-CR の接続方法は RM-CR リファレンスマニュアルをお読みください。
 - 本製品の機能や仕様の詳細は RM-TT リファレンスマニュアルをお読みください。
- どちらも下記のウェブサイトにて公開されています。

<https://download.yamaha.com/>

各部の名称と機能

天面／側面



① Mic ボタン／インジケター

ボタンをタッチしてマイクの ON/OFF を切り替えることができます。4 つのボタン／インジケターはすべて連動します。

Mic インジケター	マイクの状態
緑色	ON
赤色	OFF

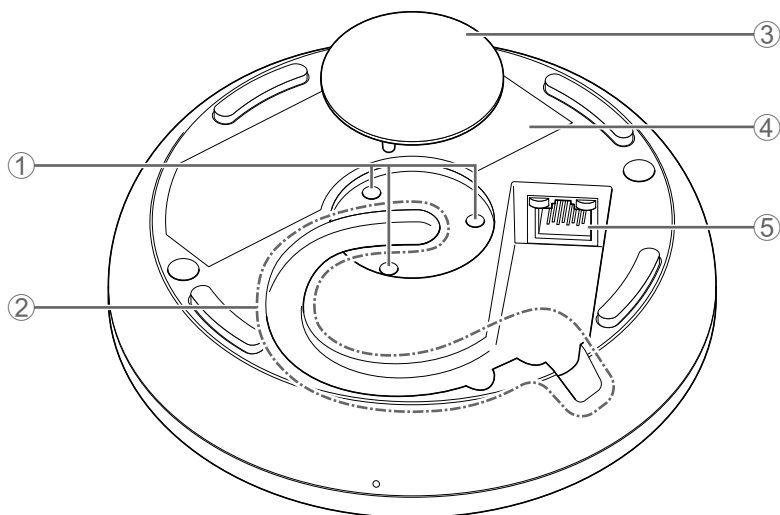
② Status インジケター

光の色や明滅のパターンから本製品の状態を確認できます。詳細は RM-TT リファレンスマニュアルをお読みください。

③ Reset ボタン

イジェクトピンなど先が細いもので長押ししてから離すと設定をリセットできます。

長押し	Status インジケター	リセットの対象
4 秒以上～ 8 秒未満	(長押し中 / リセット中に) 青色で 1 秒間に 2 回点滅	ネットワーク関連の設定
8 秒以上～ 12 秒未満	(長押し中 / リセット中に) 青色で 1 秒間に 3 回点滅	すべての設定 (リセット後、自動的に再起動)



① マウント用ネジ取り付け穴

マウント用ネジを取り付けるために使用します。

② 配線用ピット

LAN ケーブルを通すために使用します。

③ キャップ

本製品をテーブルに固定して使用する場合は取り外します。

④ 製品ラベル

本製品の情報や各種基準への適合マークなどを記載しています。

⑤ Dante/PoE 端子

LAN ケーブル (CAT5e 以上) を使用して、IEEE802.3af 対応の PoE インジェクターまたは PoE ネットワークスイッチを介し、Dante 機器と接続する RJ-45 端子です。インジェクターの詳細は RM-TT リファレンスマニュアルをお読みください。

ご注意 : 本製品をインターネットに接続する場合は、セキュリティを保つため必ずルーターなどを経由して接続してください。経由するルーターなどには適切なパスワードを設定してください。電気通信事業者 (移動通信会社、固定通信会社、インターネットプロバイダーなど) の通信回線 (公衆回線 LAN を含む) には直接接続しないでください。

: Dante 対応機器またはギガビットイーサネット対応機器 (コンピューターを含む) 以外は接続しないでください。

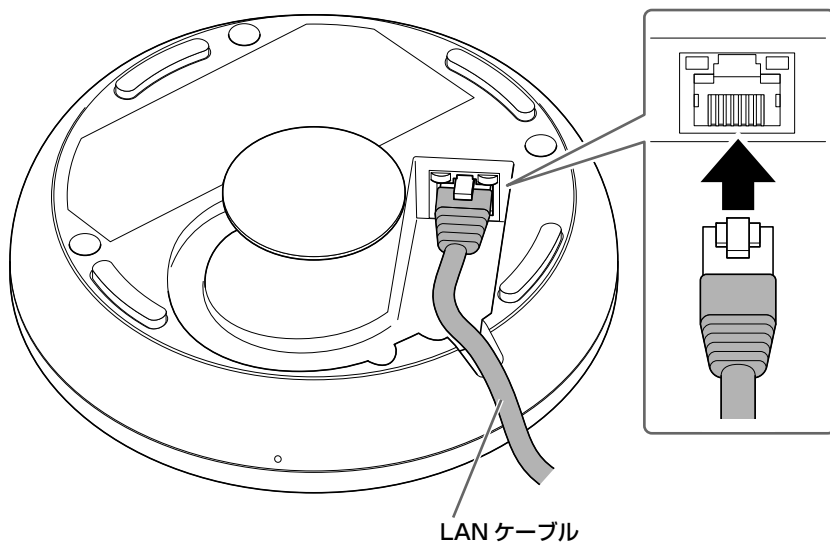
卓上への設置

必ず本書記載の方法で設置してください。

テーブルに固定せずに使用する場合

1. Dante/PoE 端子に LAN ケーブルを差し込む

下図のように配線用ピットに通してください。



ご注意：電磁干渉防止のためには、STP (Shielded Twisted Pair) ケーブル（シールド付きツイストペアケーブル）をご使用ください。

：Dante/PoE 端子から LAN ケーブルを抜いて再度 LAN ケーブルを差す場合は、5 秒以上間隔をあけて実施してください。故障や誤動作の原因になります。

2. 本製品をテーブルに置く

以上で設置は完了です。

テーブルに固定して使用する場合

次のものを用意してください。

- ・ 本製品
- ・ テーブルトップマウントアダプター（以下アダプターと表記）（付属品）
- ・ マウント用ネジ × 3 本（付属品）
- ・ スペーサー × 3 個（付属品）
- ・ 市販の皿ネジ × 3 本
- ・ ドリル



注意：皿ネジとドリル（刃）は必ずテーブルの材質に適合したものを使用してください。
不適合のものを使用すると、けがや故障、テーブルの破損の原因になります。

1. テーブルにドリルで穴を開ける

直径 25mm 以上の穴を開ける必要があります。適切なドリル刃を使用してください。

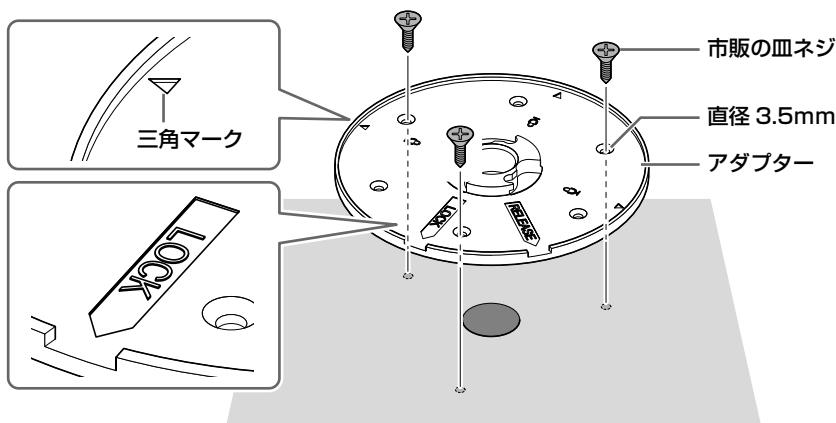


注意：穴を開けるときは、適切な道具を使用してください。適切な道具を使用しないと、手にけがをすおそれがあります。
：穴を開けるときは、破片や粉などが目に入らないようにご注意ください。

2. テーブルに空けた穴にアダプターを重ねて置き、市販の皿ネジ 3 本で固定する

皿ネジを通す穴の直径は 3.5mm です。

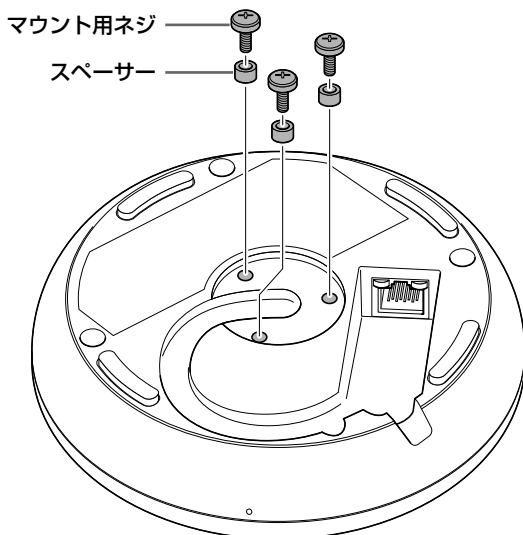
アダプターには LOCK マークが 1 つ、三角マークが 3 つ刻印されています。これら計 4 つのマークは、本製品の設置が完了したときの Mic ボタン／インジケーターの向きを指し示します。アダプターの向きを決めるための目安にしてください。



メモ：皿ネジを通す穴は予備を含め 6 つ用意されています。そのうち 3 つを選んで使用してください。

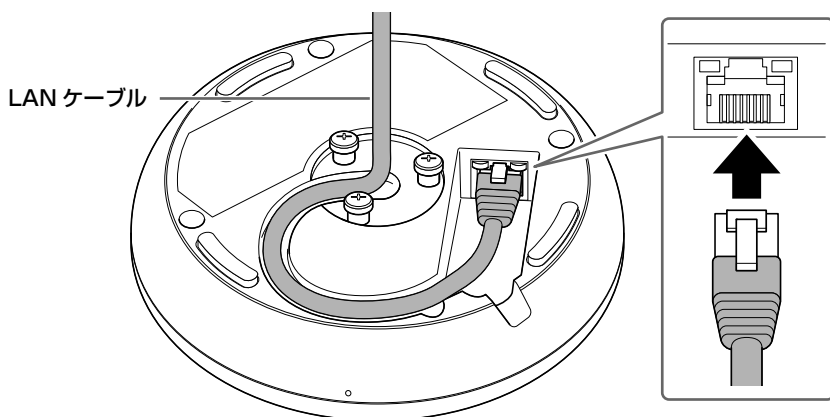
3. 本製品底面のキャップを外し、取り付け穴にマウント用ネジ 3 本を取り付ける

ネジにはスペーサーを 1 個ずつ通してください。



4. Dante/PoE 端子に LAN ケーブルを差し込む

下図のように配線用ピットに通してください。

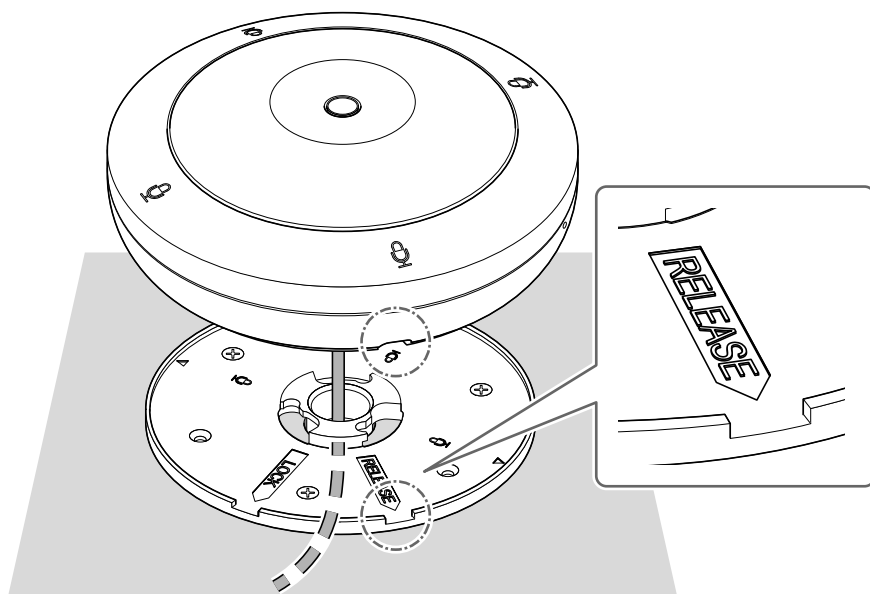


ご注意：電磁干渉防止のためには、STP (Shielded Twisted Pair) ケーブル（シールド付きツイストペアケーブル）をご使用ください。

：Dante/PoE 端子から LAN ケーブルを抜いて再度 LAN ケーブルを差す場合は、5 秒以上間隔をあけて実施してください。故障や誤動作の原因になります。

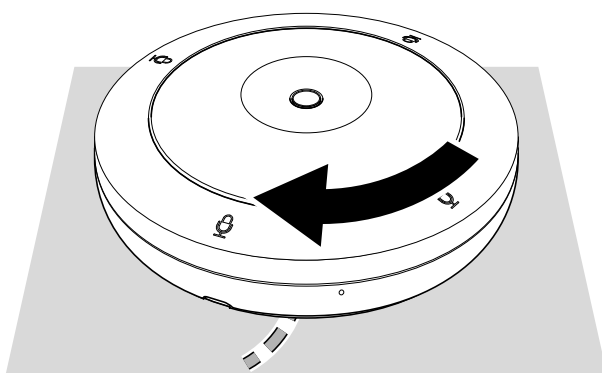
5. アダプターの中央に LAN ケーブルを通し、アダプターに本製品を重ねて置く

アダプターには RELEASE マークが刻印されています。マークが指し示すアダプターの切り欠きと、本製品側面の配線用ピットの位置を合わせてください。



6. 本製品を真上から見て時計回り方向に 45° 回す

マウント用ネジとアダプターがかみ合います。以上で設置は完了です。



メモ：取り外すときは反時計回り方向に 45° 回してください。

主な仕様

一般仕様

寸法	W 140.0 mm × D 140.0 mm × H 40.0 mm (突起部を除く)	
質量	310 g	
電源	PoE (IEEE802.3af)、DC48 V	
最大消費電力	4.5 W	
動作環境	温度	0 °C ~ 40 °C
	湿度	30% ~ 90% (結露がないこと)
保管環境	温度	-20 °C ~ 60 °C
	湿度	20% ~ 90% (結露がないこと)
インジケータ	<ul style="list-style-type: none">• Mic• Status• Network port	
付属品	<ul style="list-style-type: none">• テーブルトップマウントアダプター : 1 個• マウント用ネジ : 3 本• スペーサー : 3 個• 施工説明書 (本書) : 1 冊• 保証書とアフターサービス : 1 枚	

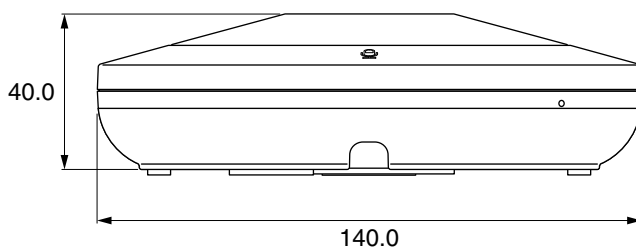
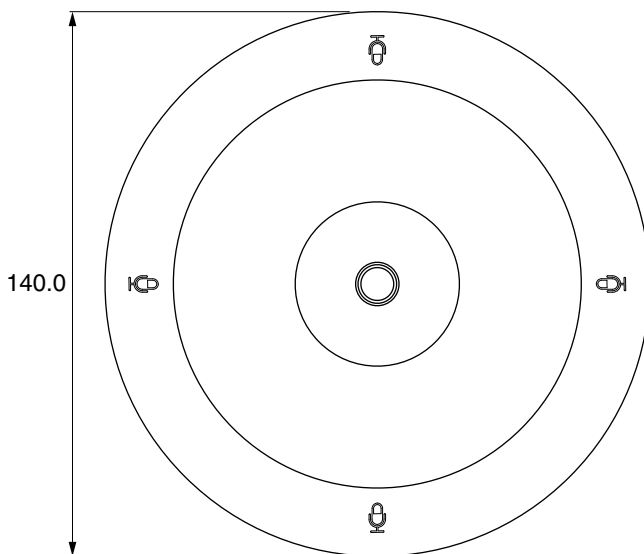
ネットワーク仕様

Dante/PoE 端子	<ul style="list-style-type: none">• Dante オーディオ / Dante コントロール• リモートコントロール• PoE• CAT5e 以上の STP ケーブルを使用すること
--------------	---

本書は発行時点での最新仕様で説明しています。最新版はヤマハウェブサイトからダウンロードできます。

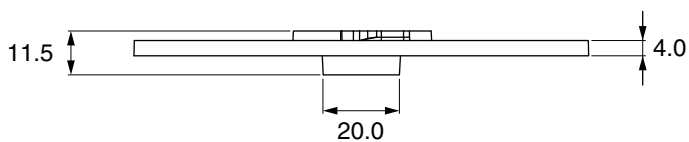
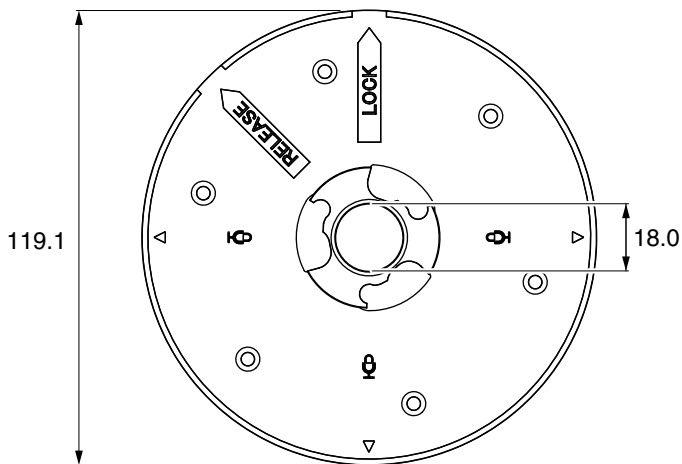
寸法図

本製品



単位：mm

テーブルトップマウントアダプター



単位：mm



Yamaha Global Site
U.S.A. and Canada
<https://uc.yamaha.com/>
Other countries
<https://www.yamaha.com/>

Yamaha Downloads
U.S.A. and Canada
<https://uc.yamaha.com/support/>
Other countries
<https://download.yamaha.com/>

Manual Development Group
© 2021 Yamaha Corporation
Published 01/2022
2022年 1月 发行
IPES-C0

VFN9340