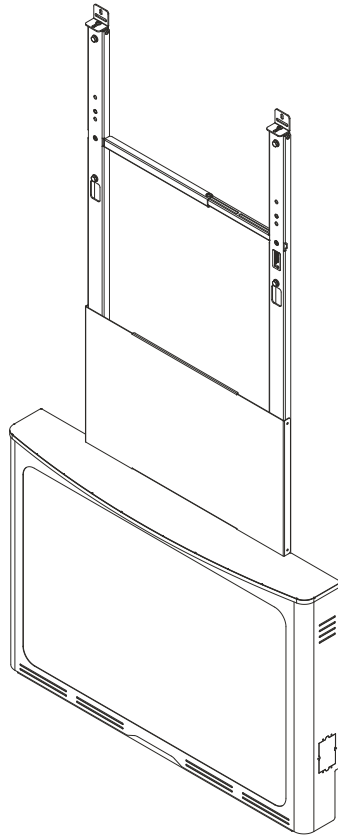

INSTALLATION INSTRUCTIONS



Flat Panel Floor Support System

DISCLAIMER

Legrand | AV and its affiliated corporations and subsidiaries (collectively "Legrand | AV"), intend to make this manual accurate and complete. However, Legrand | AV makes no claim that the information contained herein covers all details, conditions or variations, nor does it provide for every possible contingency in connection with the installation or use of this product. The information contained in this document is subject to change without notice or obligation of any kind. Legrand | AV makes no representation of warranty, expressed or implied, regarding the information contained herein. Legrand | AV assumes no responsibility for accuracy, completeness or sufficiency of the information contained in this document.

Chief® is a registered trademark of Legrand AV Inc.

DEFINITIONS

MOUNTING SYSTEM: A MOUNTING SYSTEM is the primary Chief product to which an accessory and/or component and/or another mounting system is attached.

ACCESSORY: AN ACCESSORY is the secondary Chief product which is attached to a primary Chief product, and may have a component attached or setting on it.

COMPONENT: A COMPONENT is an audiovisual item designed to be attached or resting on an accessory or mounting system such as a video camera, CPU, screen, display, projector, etc.



WARNING: A WARNING alerts you to the possibility of serious injury or death if you do not follow the instructions.



CAUTION: A CAUTION alerts you to the possibility of damage or destruction of equipment if you do not follow the corresponding instructions.

IMPORTANT SAFETY INSTRUCTIONS



WARNING: Failure to read, thoroughly understand, and follow all instructions can result in serious personal injury, damage to equipment, or voiding of factory warranty! It is the installer's responsibility to make sure all mounting systems are properly assembled and installed using the instructions provided.



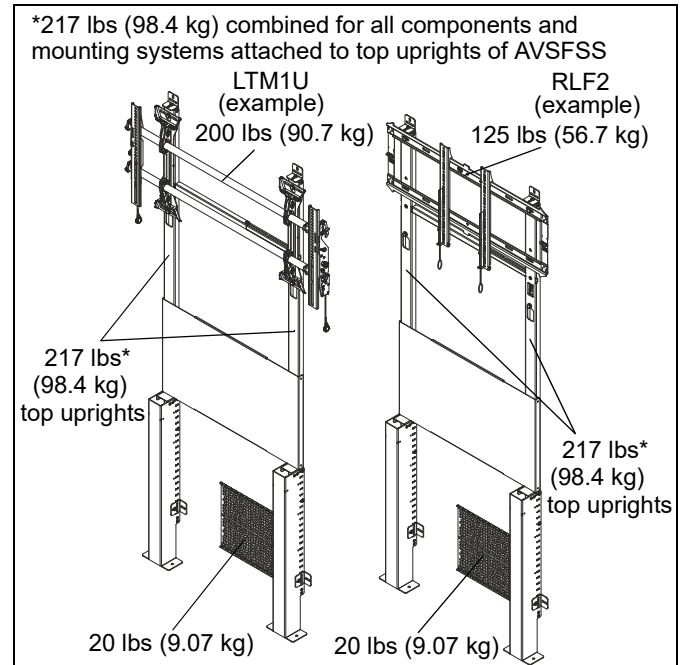
WARNING: Failure to provide adequate structural strength for this mounting system can result in serious personal injury or damage to equipment! It is the installer's responsibility to make sure the structure to which this mounting system is attached or resting on can support five times the combined weight of all equipment. Reinforce the structure as required before installing the mounting system. Do not install drywall anchors into the seam between drywall pieces.



WARNING: Use this mounting system only for its intended use as described in these instructions. Do not use attachments not recommended by the manufacturer.



WARNING: Exceeding the weight capacity can result in serious personal injury or damage to equipment! It is the installer's responsibility to make sure the combined weight of all components and mounting systems attached to the top uprights of the AVSFSS does not exceed 217 lbs (98.4 kg). The combined weight of all components attached to the mounting system being attached to the AVSFSS cannot exceed the specific weight limit for that mounting system. The combined weight of all components attached to the component storage panel cannot exceed 20 lbs (9.07 kg). See Figure below.



WARNING: Never operate this mounting system if it is damaged. Return the mounting system to a service center for examination and repair.



WARNING: Do not use this mounting system outdoors.

IMPORTANT ! : The AVSFSS mounting system is compatible with the following Chief® mounting systems: LTM1U, LSM1U, RXF2, RLF2, RMF2, MTM1U, MSM1U. Do NOT use with any other mounting system!

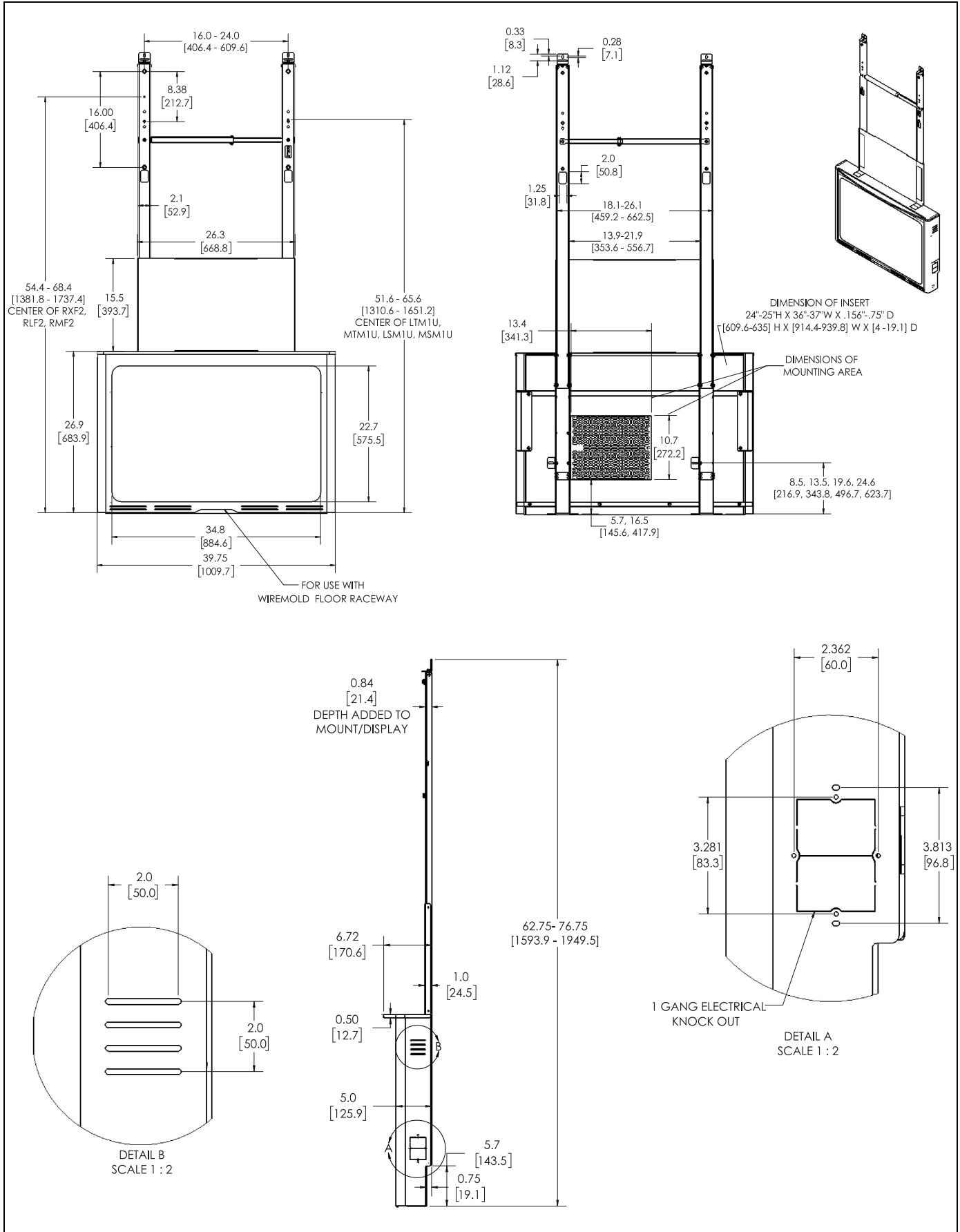
IMPORTANT ! : The AVSFSS mounting system is designed to be mounted to one of the following surfaces:

- a sheetrock drywall with a thickness of 1/2" to 5/8" supported by 16" or 24" wood or steel studs; or
- a bare concrete wall with a minimum thickness of 8" (203mm); or
- a bare 8" x 8" x 16" (203mm x 203mm x 406mm) concrete block wall;

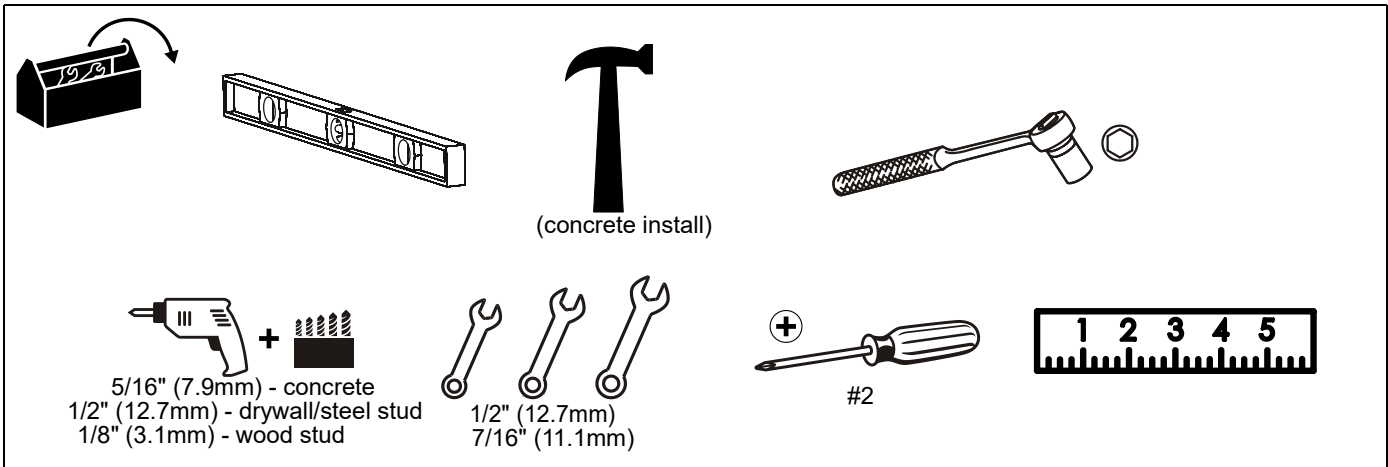
IMPORTANT ! : The AVSFSS mounting system needs to be attached to a sheetrock drywall which is supported by 16" or 24" wood or steel studs, however it does NOT need to be attached to these studs directly.

--SAVE THESE INSTRUCTIONS--

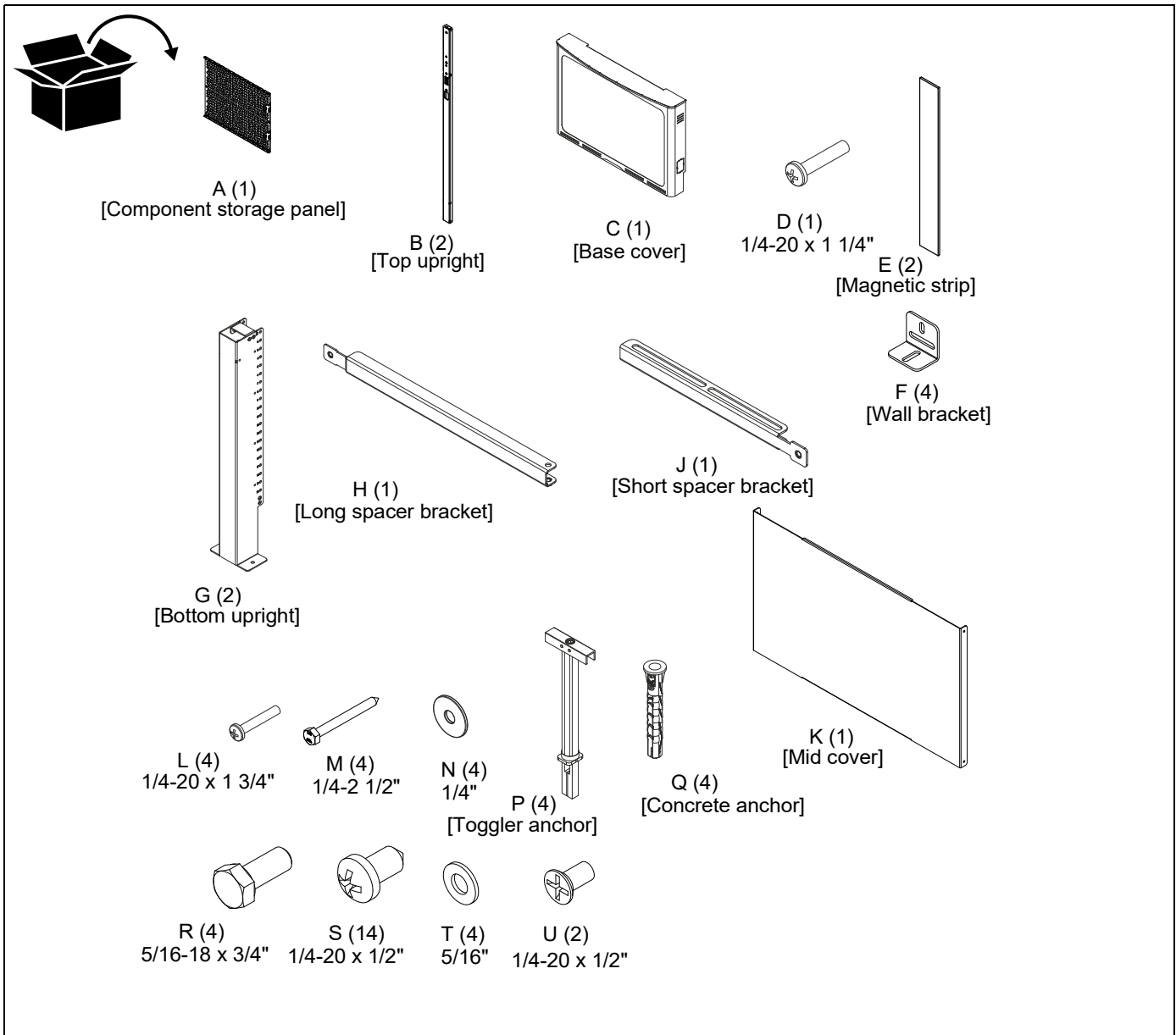
DIMENSIONS



TOOLS REQUIRED FOR INSTALLATION



PARTS



Assembly And Installation

NOTE: For large-scale installations, component storage panels (A) may be removed from each box and pre-loaded with components prior to AVSFSS installation.

Stand Assembly

1. Determine distance desired from finished floor to center of display.
2. Refer to chart below to determine holes to use to assemble uprights (B and G).

WITH RXF2/RLF2/RMF2	HOLE NUMBERS
68.4" (173.7cm) from floor	1, 6
67.4" (171.2cm) from floor	2, 7
66.4" (168.6cm) from floor	3, 8
65.4" (166.1cm) from floor	4, 9
64.4" (163.5cm) from floor	5, 10
63.4" (161cm) from floor	6, 11
62.4" (158.5cm) from floor	7, 12
61.4" (156cm) from floor	8, 13
60.4" (153.4cm) from floor	9, 14
59.4" (150.9cm) from floor	10, 15
58.4" (148.3cm) from floor	11, 16
57.4" (145.8cm) from floor	12, 17
56.4" (143.2cm) from floor	13, 18
55.4" (140.7cm) from floor	14, 19
54.4" (138.1cm) from floor	15, 20

WITH LTM1U/MTM1U/LSM1U/MSM1U	HOLE NUMBERS
65.6" (166.6cm) from floor	1 and 6
64.6" (164cm) from floor	2 and 7
63.6" (161.5cm) from floor	3 and 8
62.6" (159cm) from floor	4 and 9
61.6" (156.5cm) from floor	5 and 10
60.6" (153.9cm) from floor	6 and 11
59.6" (151.4cm) from floor	7 and 12
58.6" (148.8cm) from floor	8 and 13
57.6" (146.3cm) from floor	9 and 14
56.6" (143.7cm) from floor	10 and 15
55.6" (141.2cm) from floor	11 and 16
54.6" (138.7cm) from floor	12 and 17
53.6" (136.1cm) from floor	13 and 18
52.6" (133.6cm) from floor	14 and 19
51.6" (131.1cm) from floor	15 and 20

3. Use four 1/4-20 x 1/2" Phillips tapping screws (S) to secure top uprights (B) to bottom uprights (G). (See Figure 1)

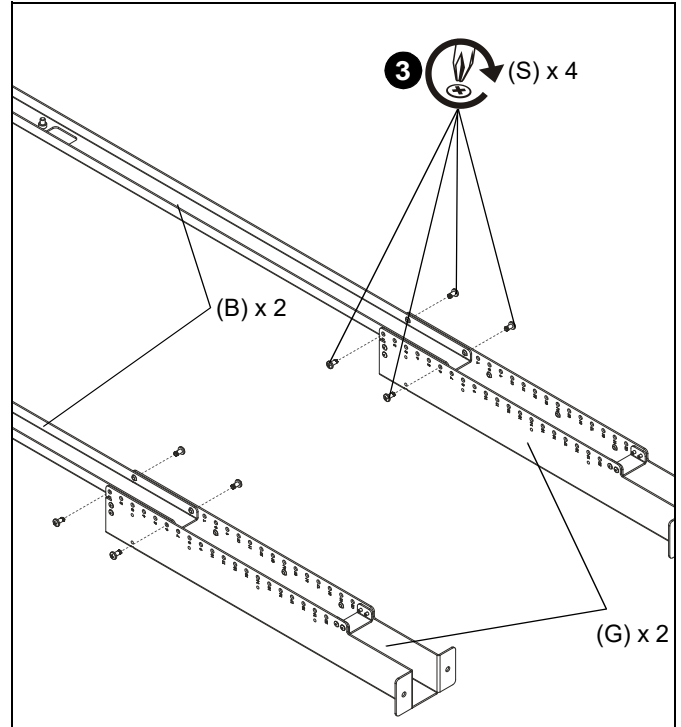


Figure 1

4. Use two 1/4-20 x 1/2" Phillips flathead screws (U) to secure long spacer bracket (H) and short spacer bracket (J) to top uprights (B). (See Figure 2)
5. Use 1/4-20 x 1" Phillips pan machine screw (D) to secure long spacer bracket (H) and short spacer bracket (J) together. (See Figure 2)

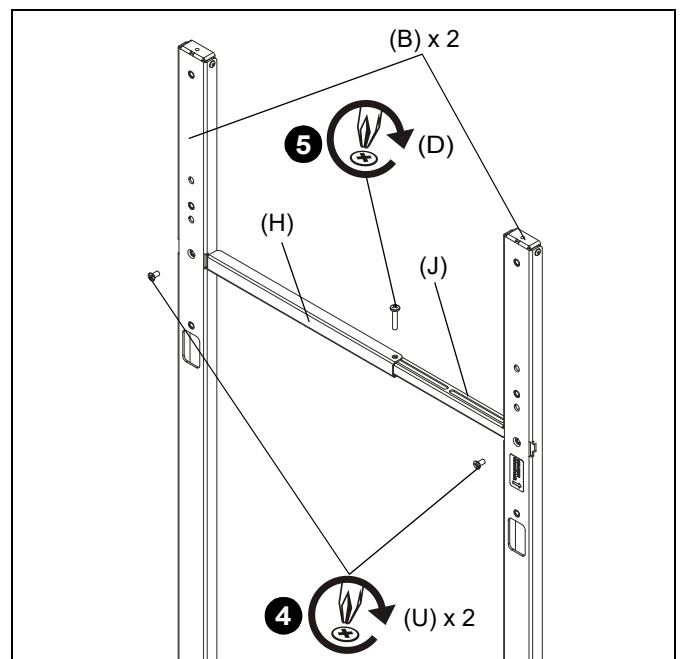


Figure 2

- Use two 1/4-20 x 1/2" button head cap screws (S) to secure two wall brackets (F) to top uprights (B). (See Figure 3)

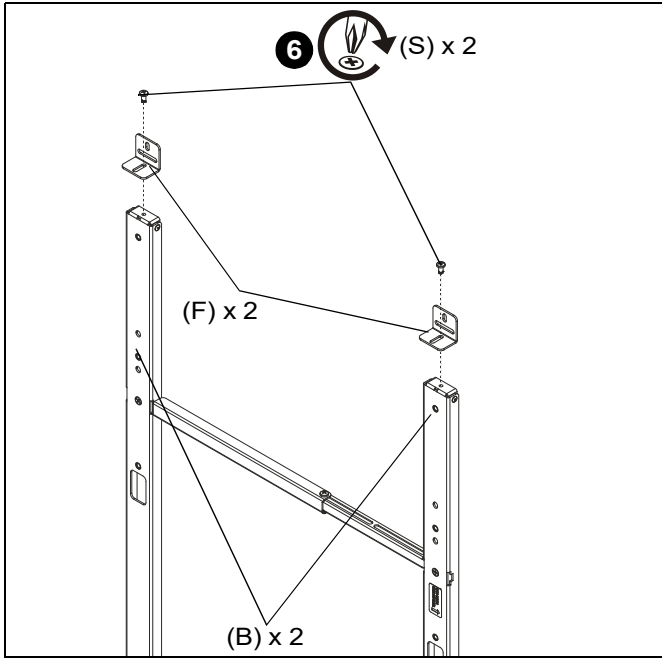


Figure 3

- Use two 1/4-20 x 1/2" button head cap screws (S) to secure two wall brackets (F) to bottom uprights (G). (See Figure 4)

NOTE: Any of the four holes on each upright (G) can be used on either side depending on where uprights were attached to each other and/or component storage panel location. (See Figure 4)

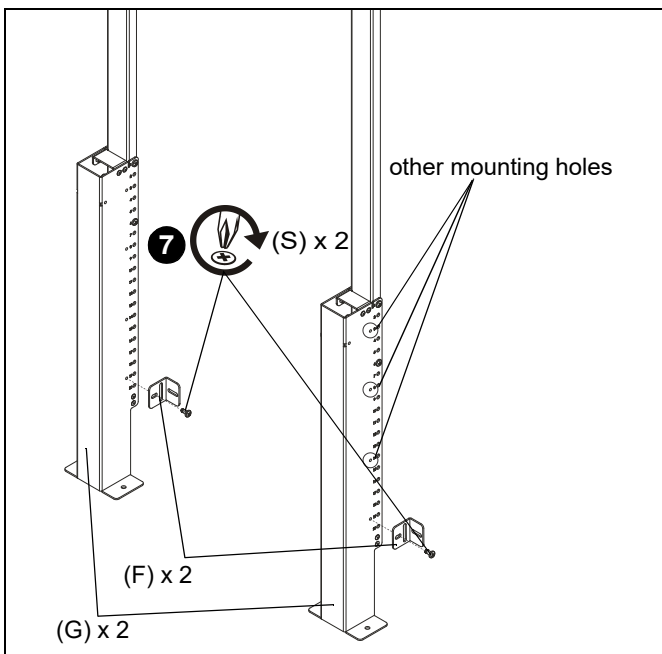


Figure 4

Attach to Concrete Floor (Optional)

IMPORTANT ! : AVSFSS may be bolted down to floor for additional security and support. It may NOT be installed to the floor ONLY without being also attached to the wall!

NOTE: If installing to floor, it is recommended to install to floor BEFORE installing to wall or it will need to be uninstalled from wall prior to floor installation.

- Position assembled stand against wall at desired mounting location and mark hole locations at each mounting location. (See Figure 5)
- Remove stand from location and drill 5/16" holes with a depth of 2 3/8" (60mm) on marked hole locations. (See Figure 5)
- Use hammer to install four concrete anchors (Q) into drilled holes. (See Figure 5)

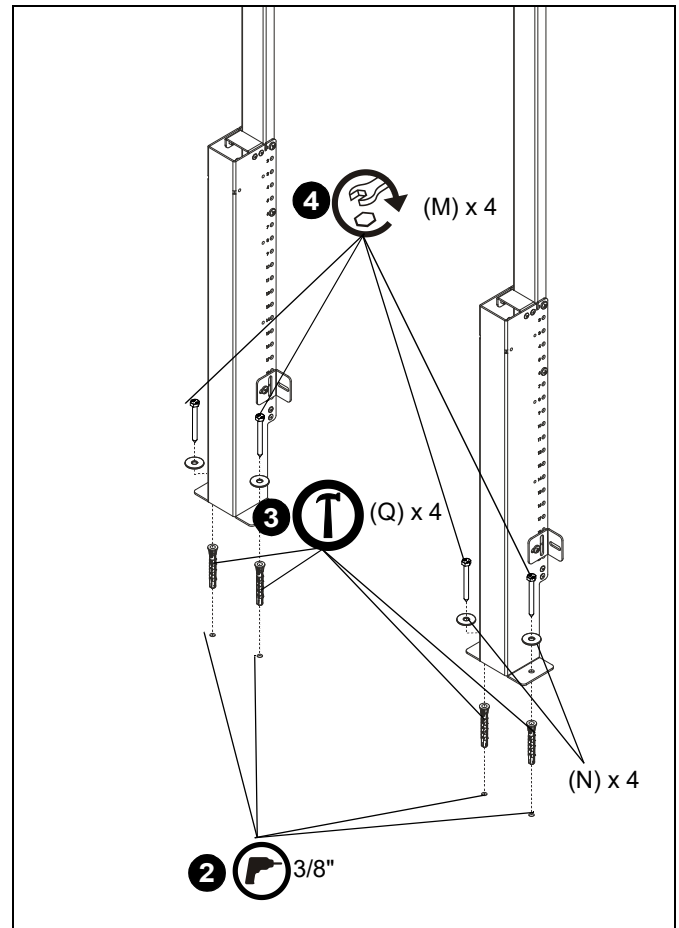


Figure 5

- Use four 1/4-20 x 2 1/2" hex head lag screws (M) and four 1/4" washers to secure wall brackets (F) to floor. (See Figure 5)

Attach to Wall

Sheetrock Installations

IMPORTANT ! : The AVSFSS mounting system needs to be attached to a sheetrock drywall which is supported by 16" or 24" wood or steel studs, however it does NOT need to be attached to these studs directly.

Drywall Installation (Not attached to Studs)

1. Mark hole locations at each mounting location based on locations of wall brackets (F). Use a level to ensure of an even mount. (See Figure 6)
2. Drill 1/2" holes on marked hole locations. (See Figure 6)

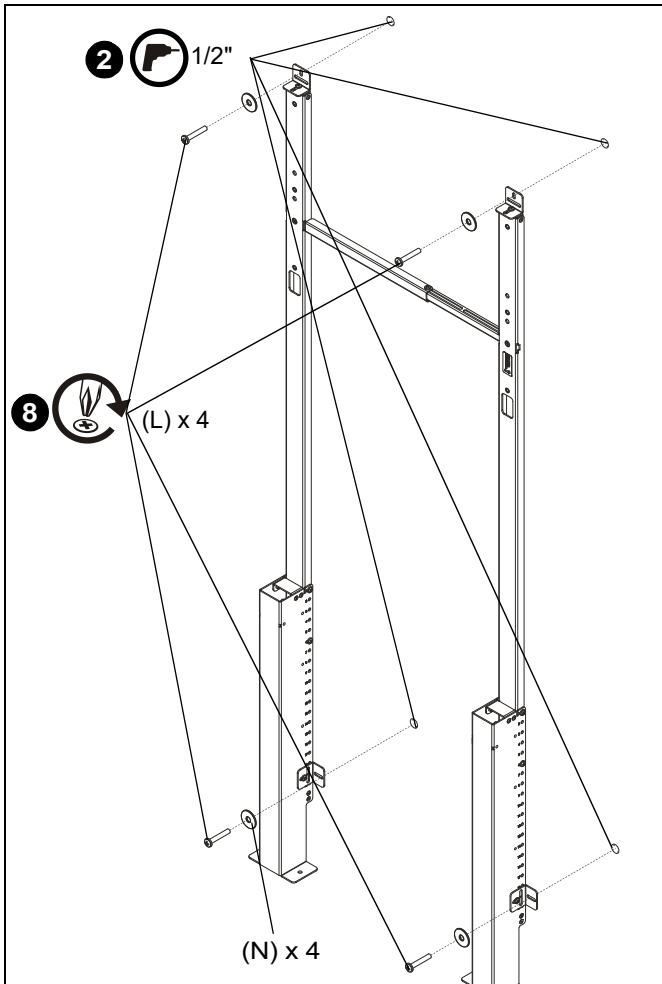


Figure 6

3. Hold metal channel on anchor (P) flat alongside plastic straps and slide channel through hole. (See Figure 7)

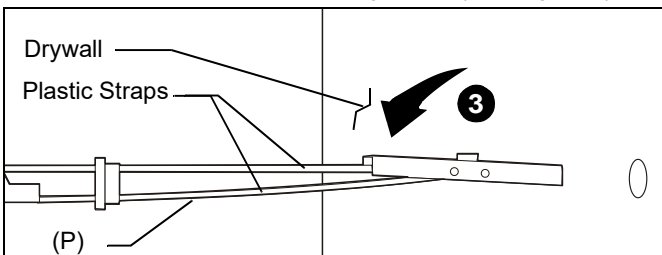


Figure 7

4. Holding plastic straps on anchor (P), pull anchor away from wall until channel rests flush behind wall making sure anchor channel is positioned vertically on drywall. (See Figure 8)
5. Slide plastic cap on anchor (P) towards wall until flange of cap is flush with wall. (See Figure 8)

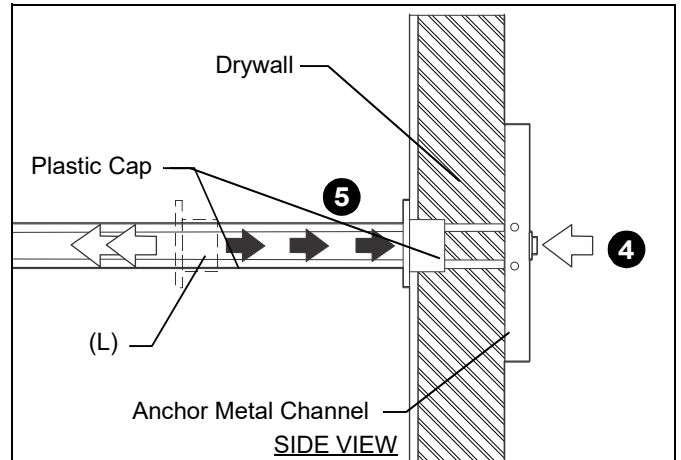


Figure 8

6. Snap off plastic straps on anchor at wall by pushing side to side, snapping off straps level with flange of plastic cap. (See Figure 9)

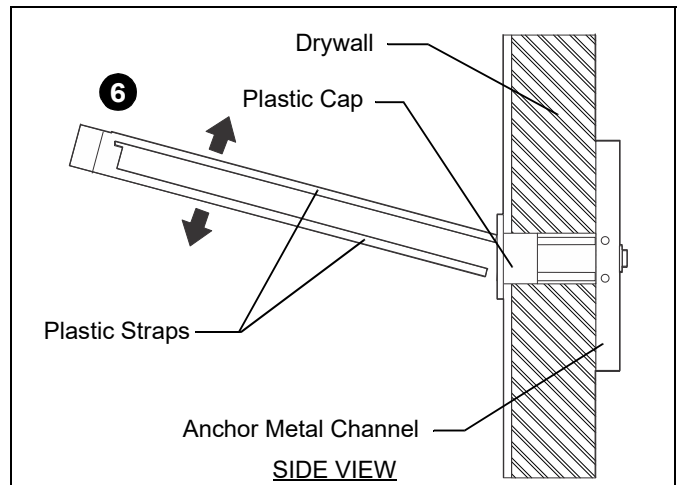


Figure 9

7. Repeat Steps 3 through 6 for the other mounting holes.
8. Use four 1/4-20 x 1 3/4" Phillips pan machine screws (L) and four 1/4" washers (N) to secure wall brackets (F) to wall. (See Figure 6)

Drywall (Into Steel Studs)

1. Mark hole locations at each mounting location based on locations of wall brackets (F) and steel studs. Use a level to ensure of an even mount. (See Figure 10)
2. Drill 1/2" holes on marked hole locations. (See Figure 10)

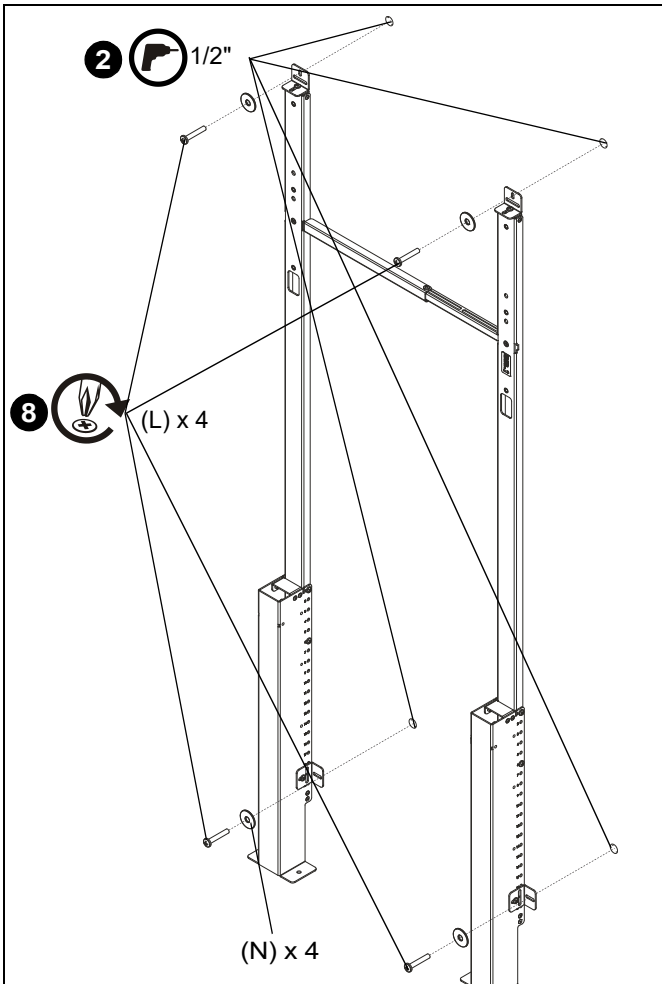


Figure 10

3. Hold metal channel on anchor (P) flat alongside plastic straps and slide channel through hole. (See Figure 11)

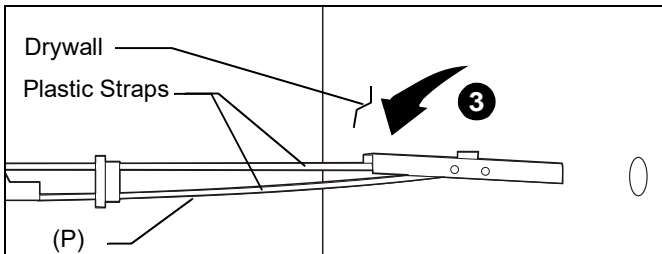


Figure 11

4. Holding plastic straps on anchor (P), pull anchor away from wall until channel rests flush behind wall making sure anchor channel is positioned vertically on stud. (See Figure 12)
5. Slide plastic cap on anchor (P) towards wall until flange of cap is flush with wall. (See Figure 12)

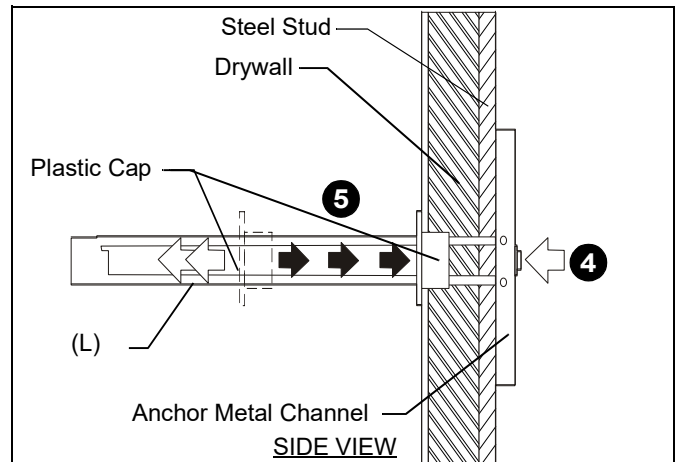


Figure 12

6. Snap off plastic straps on anchor at wall by pushing side to side, snapping off straps level with flange of plastic cap. (See Figure 13)

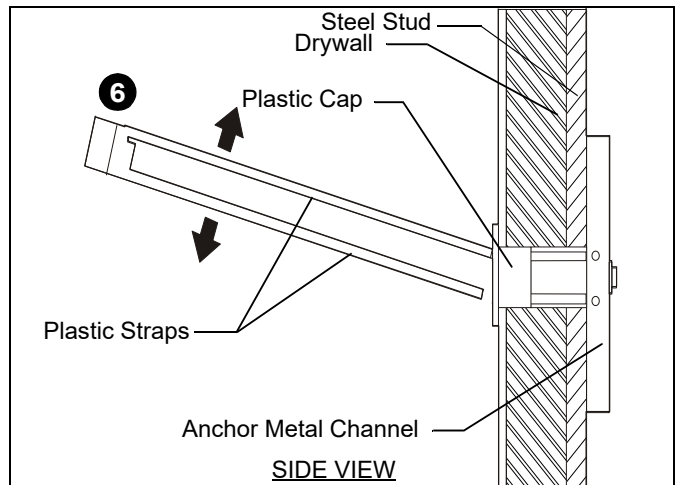


Figure 13

7. Repeat Steps 3 through 6 for the other mounting holes.
8. Use four 1/4-20 x 1 3/4" Phillips pan machine screws (L) and four 1/4" washers (N) to secure wall brackets (F) to wall. (See Figure 10)

Drywall Installation (Into Wood Studs)

1. Mark hole locations at each mounting location based on locations of wall brackets (F) and wood studs. Use a level to ensure of an even mount. (See Figure 14)
2. Drill 1/8" holes on marked hole locations. (See Figure 14)

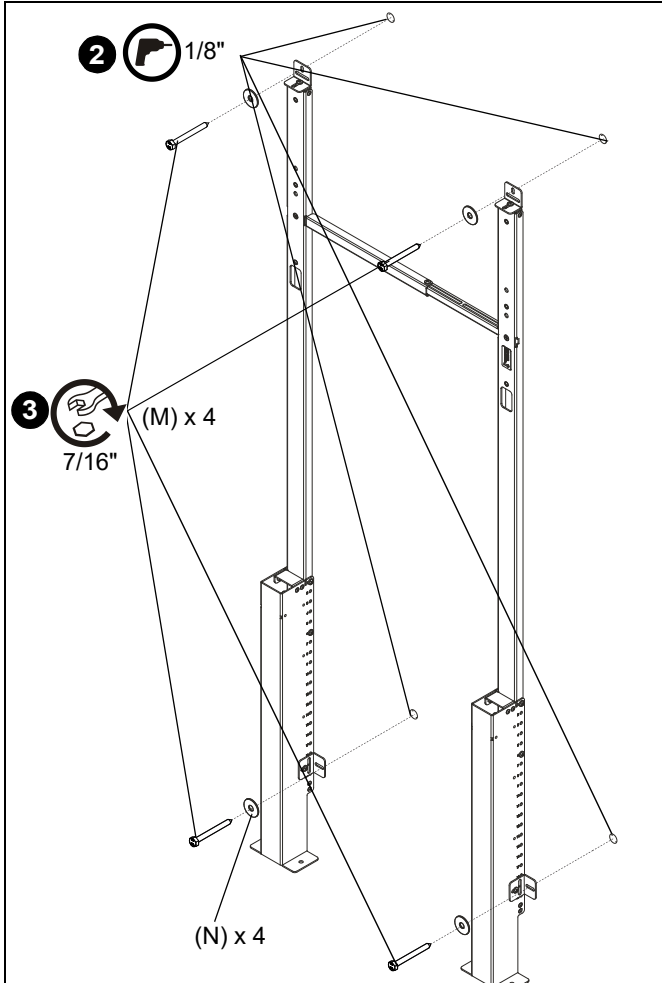


Figure 14

3. Use four 1/4-20 x 2 1/2" hex head lag screws (M) and four 1/4" washers (N) to secure wall brackets (F) to wall. (See Figure 14)

Concrete Installation

1. Mark hole locations at each mounting location based on locations of wall brackets (F). Use a level to ensure of an even mount. (See Figure 15)
2. Drill 7/32" holes with a depth of 2 3/8" on marked hole locations. (See Figure 15)
3. Use hammer to install four concrete anchors (Q) into drilled holes. (See Figure 15)

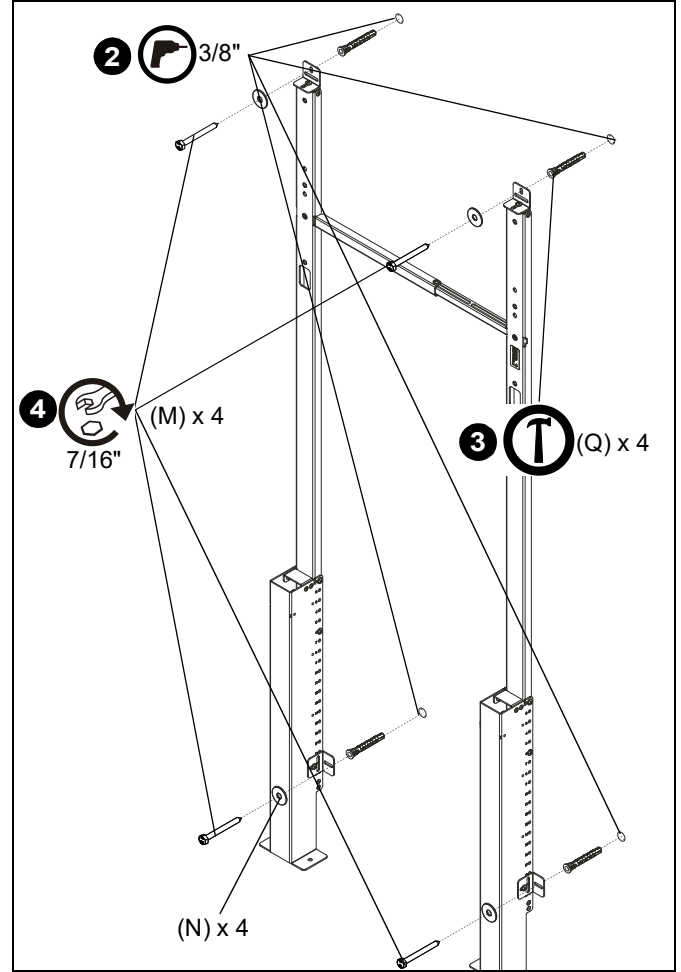


Figure 15

4. Use four 1/4-20 x 2 1/2" hex head lag screws (M) and four 1/4" washers (N) to secure wall brackets (F) to wall. (See Figure 15)

Display Installation



WARNING: Exceeding the weight capacity can result in serious personal injury or damage to equipment! It is the installer's responsibility to make sure the combined weight of all components and mounting systems attached to the top uprights of the AVSFSS does not exceed 217 lbs (98.4 kg). The combined weight of all components attached to the mounting system being attached to the AVSFSS cannot exceed the specific weight limit for that mounting system.

1. **(For RMF2/RLF2/RXF2)** Use four 1/4-20 x 1/2" hex head cap screws (R) and four 5/16 washers (T) to secure main assembly of RLF2 onto top uprights (B). (See Figure 16)

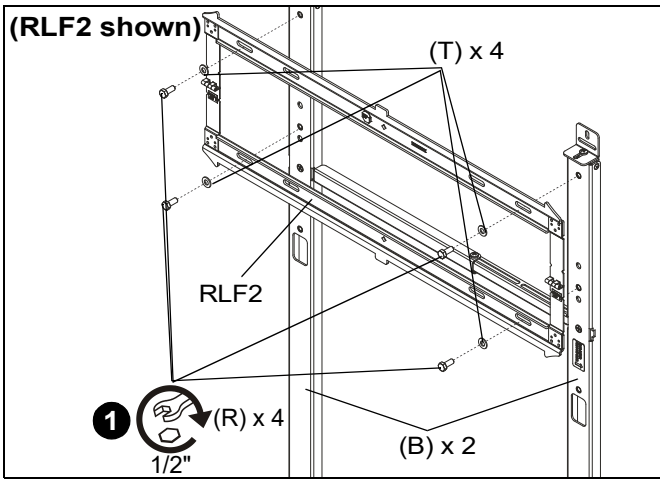


Figure 16

2. **(For LTM1U/LSM1U/MTM1U/MSM1U)** Loosely install four 1/4-20 x 1/2" hex head cap screws (R) and four slotted washers (included with LTM1U) into top holes of top uprights (B). (See Figure 17)
3. **(For LTM1U/LSM1U/MTM1U/MSM1U)** Use teardrop holes to place LTM1U main assembly onto screws (R). (See Figure 17)
4. **(For LTM1U/LSM1U/MTM1U/MSM1U)** Tighten four screws (R) to secure LTM1U to top uprights (B). (See Figure 17)

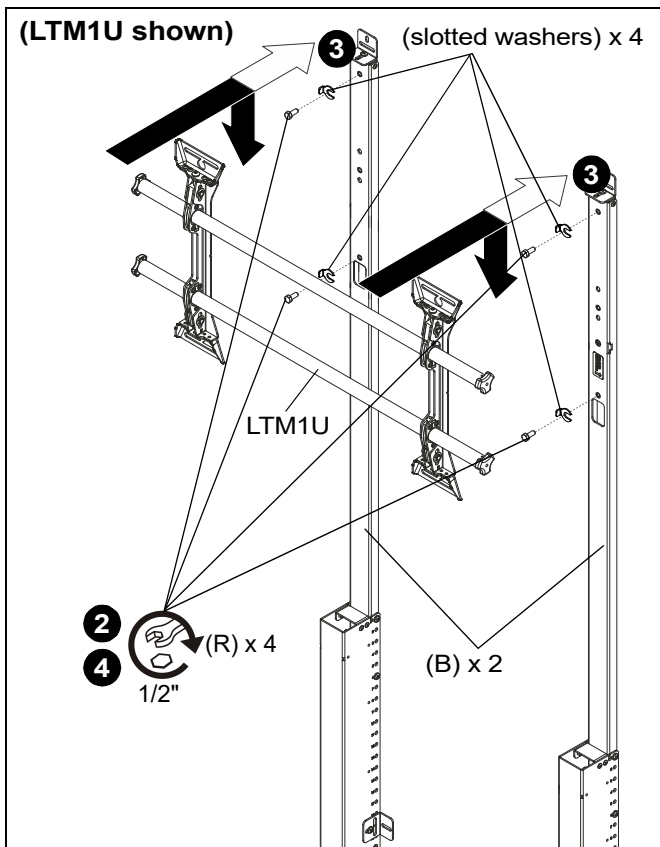


Figure 17

5. Install display to mount following installation instructions included with RMF2/RLF2/RXF2/LTM1U/LSM1U/MTM1U/MSM1U mounting system.

Component Storage Panel Installation



WARNING: Exceeding the weight capacity can result in serious personal injury or damage to equipment! It is the installer's responsibility to make sure the combined weight of all components attached to the component storage panel cannot exceed 20 lbs (9.07 kg).

1. Install components to component storage panel (A) using appropriate hardware (not included) for each component. (See Figure 18)
2. Loosely install two 1/4-20 x 1/2" Phillips pan machine screws (S) to either bottom upright (G) at desired mounting location. (See Figure 18)
3. Use teardrop mounting holes to install component storage panel (A) onto installed screws (S). (See Figure 18)
4. Tighten screws (S) to secure panel (A) to upright (G). (See Figure 18)

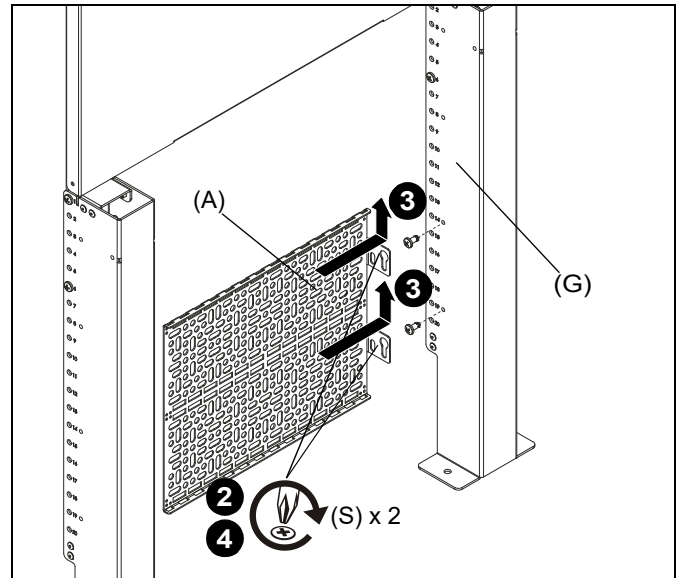


Figure 18

Covers Installation

1. Place base cover (C) onto bottom uprights (G) and slide into slots on top of uprights. (See Figure 19)

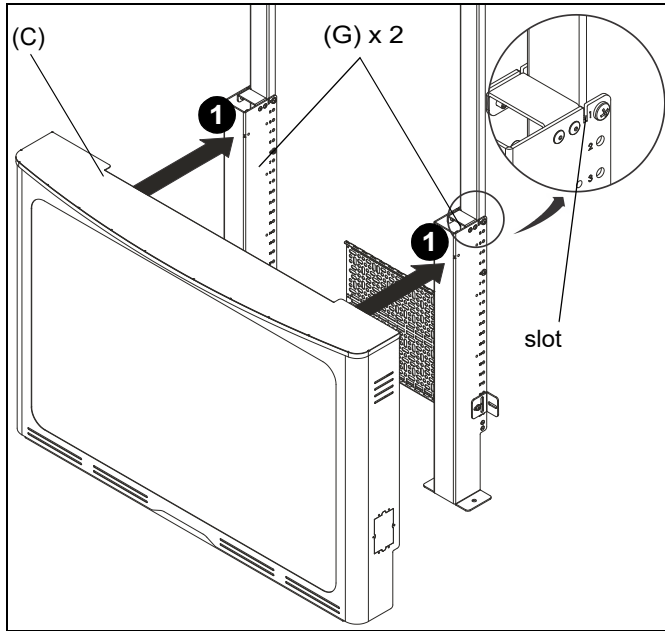


Figure 19

2. Install two magnetic tape strips (E) onto top uprights (B) by removing adhesive cover to permanently secure them to uprights. Strips (E) should be located approximately 1" above base cover (C). (See Figure 20)
3. Place mid cover (K) onto two magnetic strips (E). (See Figure 20)

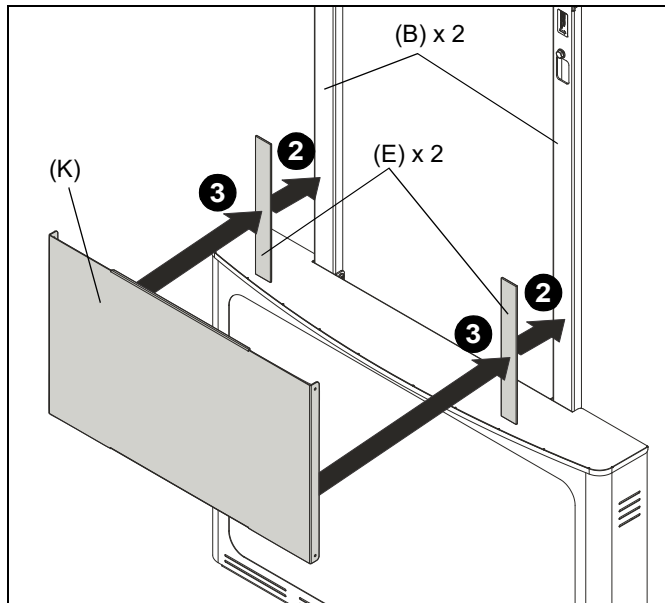


Figure 20

Aesthetic Cover Removal/Replacement/Adjustment

1. Remove eight Phillips screws holding aesthetic cover inside base cover (C) and spanning bracket. (See Figure 21)

2. Remove aesthetic cover from base cover by sliding it first to one side and then out. (See Figure 21)
3. (Optional) Replace with alternative cover (not included) and secure with removed screws.

NOTE: If cover becomes wrinkled or loose, loosen bottom four screws as needed, tighten the fabric and the re-tighten screws.

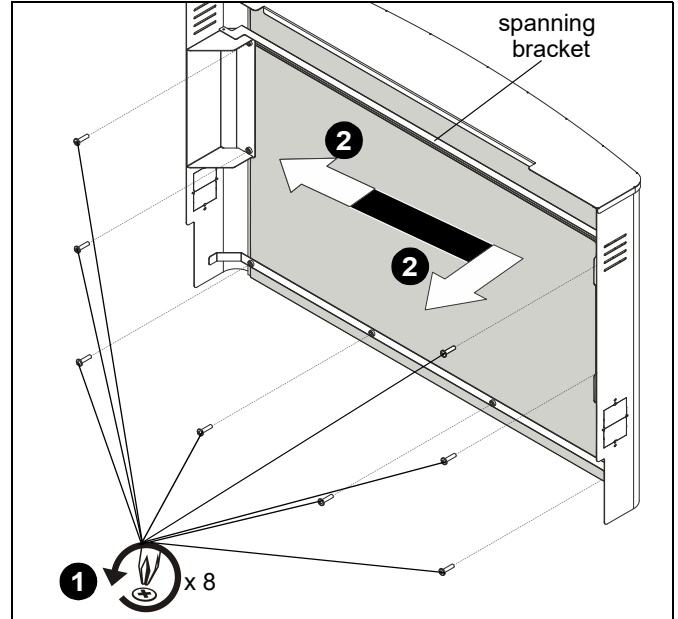


Figure 21

Cover Knockout Usage (Optional)

1. Remove knockouts on base cover (C) as desired for cable management or to install control boxes. (See Figure 22)

NOTE: Holes around knockout box may be used to secure boxes or accessories to base cover using appropriate hardware.

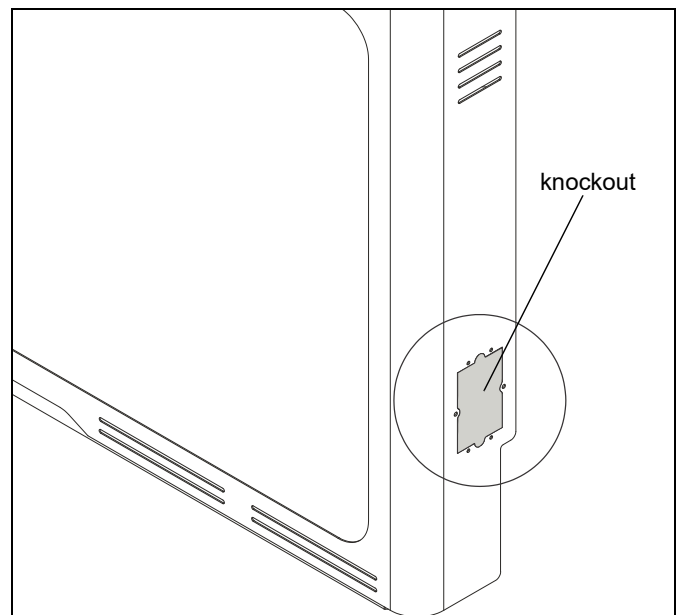


Figure 22



A brand of  **legrand**

8800-003158 Rev03
©2019 Legrand | AV
www.legrandav.com
11/19

USA/International	A 6436 City West Parkway, Eden Prairie, MN 55344 P 800.582.6480 / 952.225.6000 F 877.894.6918 / 952.894.6918
Europe	A Franklinstraat 14, 6003 DK Weert, Netherlands P +31 (0) 495 580 852 F +31 (0) 495 580 845
Asia Pacific	A Office No. 918 on 9/F, Shatin Galleria 18-24 Shan Mei Street Fotan, Shatin, Hong Kong P 852 2145 4099 F 852 2145 4477

