

# FIT™ SERIES DISPLAY MOUNTS

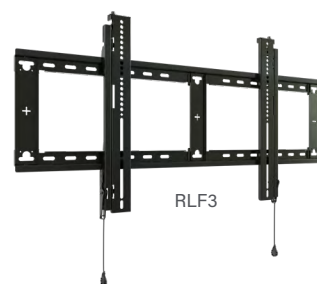
## Meet the next generation of high value display mounts

All updated Fit wall mounts include these enhanced features:

- Low-profile depth facilitates ADA compliance for typical AV design requirements
- Easy to reach leveling screw for post-installation adjustments 0.75" (19 mm)
- Open wall plate for flexible positioning around power and data wall boxes
- Enhanced rigid wall plate and additional mounting slots for improved installation experience
- Tool-free GlideLock secures display to wall plate, allows perfect positioning of screen
- Kickstand and magnetic quick-store release pull cords allow easy access to cable connections
- Theft deterrent security options (not included)
- UL and TUV safety standards compliant

### Fit™ Fixed Wall Mount

Part #	Description	Max. Mounting Pattern	Typical Screen Sizes	Weight Capacity	Certifications
<b>RMF3</b>	Medium Fit™ Fixed Display Wall Mount	550 x 450mm	32 - 65"	125 lbs (56.7 kg)	UL and TUV
<b>RLF3</b>	Large Fit™ Fixed Display Wall Mount	960 x 450mm	43 - 86"	200 lbs (90.7 kg)	UL and TUV
<b>RXF3</b>	Extra-Large Fit™ Fixed Display Wall Mount	960 x 650mm	49 - 98"	250 lbs (113 kg)	UL and TUV

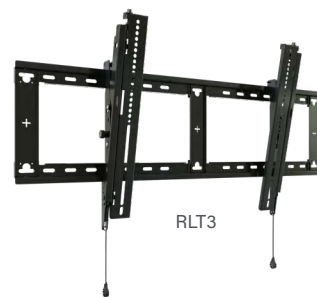


RLF3

### Fit™ Tilt Wall Mount

- Display can be tilted up to 12° to set the optimal viewing angle

Part #	Description	Max. Mounting Pattern	Typical Screen Sizes	Weight Capacity	Certifications
<b>RMT3</b>	Medium Fit™ Tilt Display Wall Mount	508 x 450mm	32 - 65"	125 lbs (56.7 kg)	UL and TUV
<b>RLT3</b>	Large Fit™ Tilt Display Wall Mount	915 x 450mm	43 - 86"	200 lbs (90.7 kg)	UL and TUV
<b>RXT3</b>	Extra-Large Fit™ Tilt Display Wall Mount	915 x 650mm	49 - 98"	250 lbs (113 kg)	UL and TUV

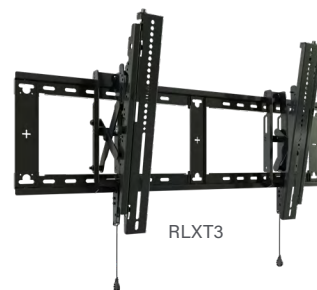


RLT3

### Fit™ Extending Tilt Wall Mount

- Minimum 2.67" (68 mm) depth up to 6" (152 mm) when fully extended away from the wall
- 10° forward and back tilt

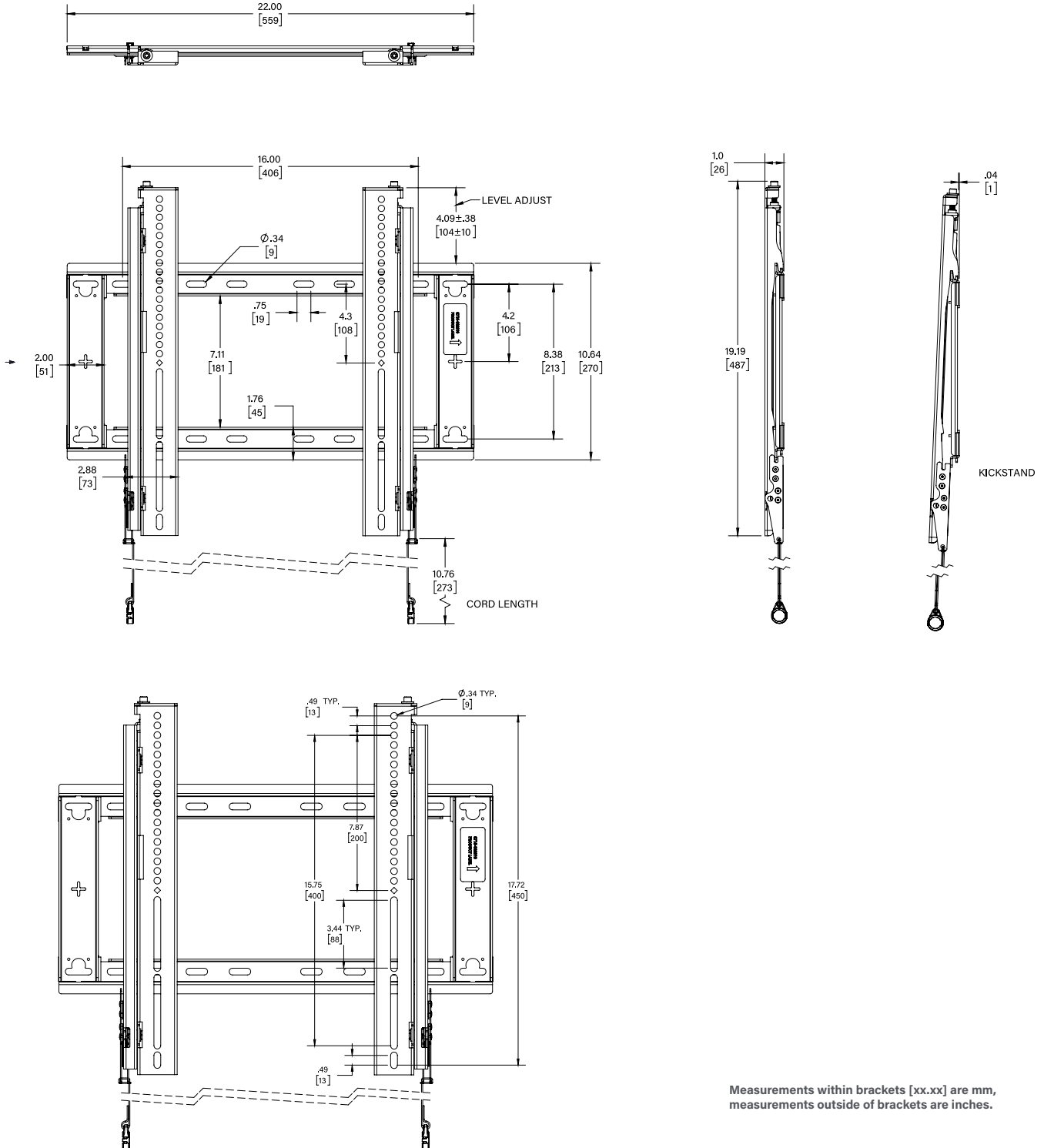
Part #	Description	Max. Mounting Pattern	Tilt	Maximum Extension	Typical Screen Sizes	Weight Capacity	Certifications
<b>RLXT3</b>	Large Fit™ Extending Tilt Display Wall Mount	100 x 100 - 863 x 450mm	+10°/-10°	6" (152 mm) from wall	43 - 85"	150 lbs (68 kg)	UL and TUV



RLXT3

**RMF3**

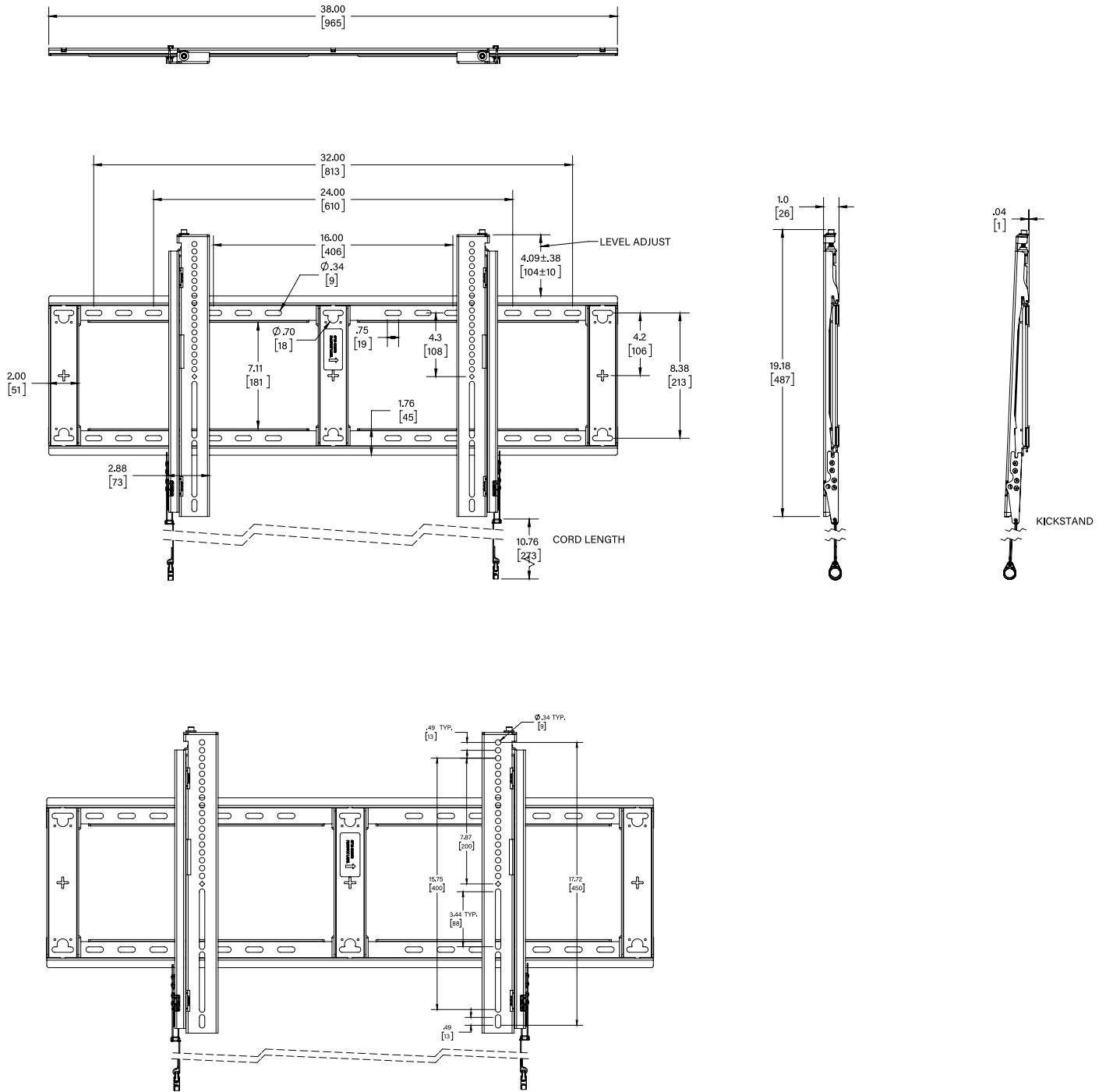
**MEDIUM FIT™ FIXED WALL MOUNT**



Measurements within brackets [xx.xx] are mm, measurements outside of brackets are inches.

**RLF3**

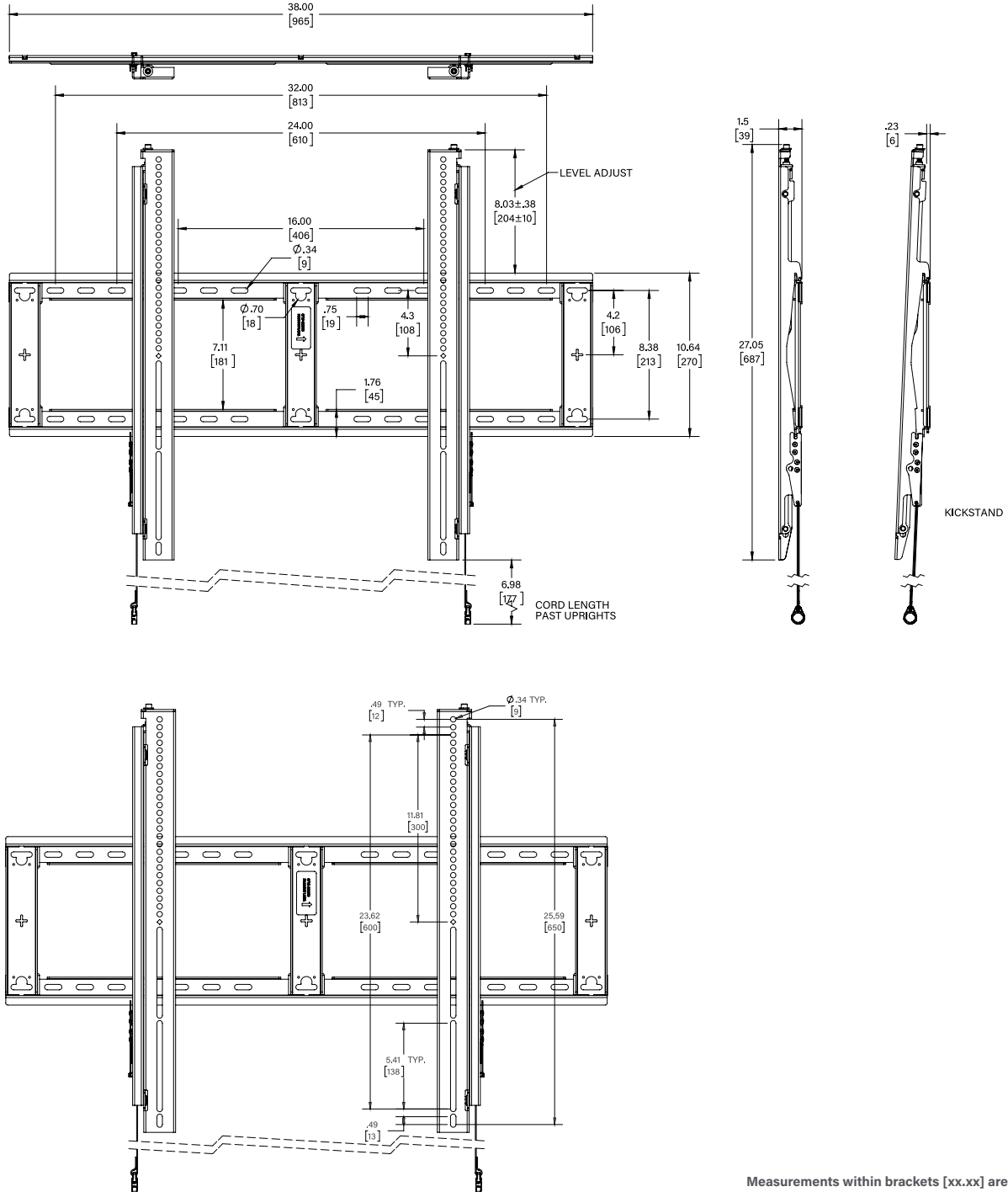
**LARGE FIT™ FIXED WALL MOUNT**



Measurements within brackets [xx.xx] are mm, measurements outside of brackets are inches.

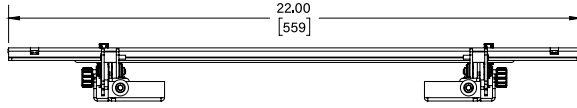
## RXF3

### EXTRA-LARGE FIXED WALL MOUNT

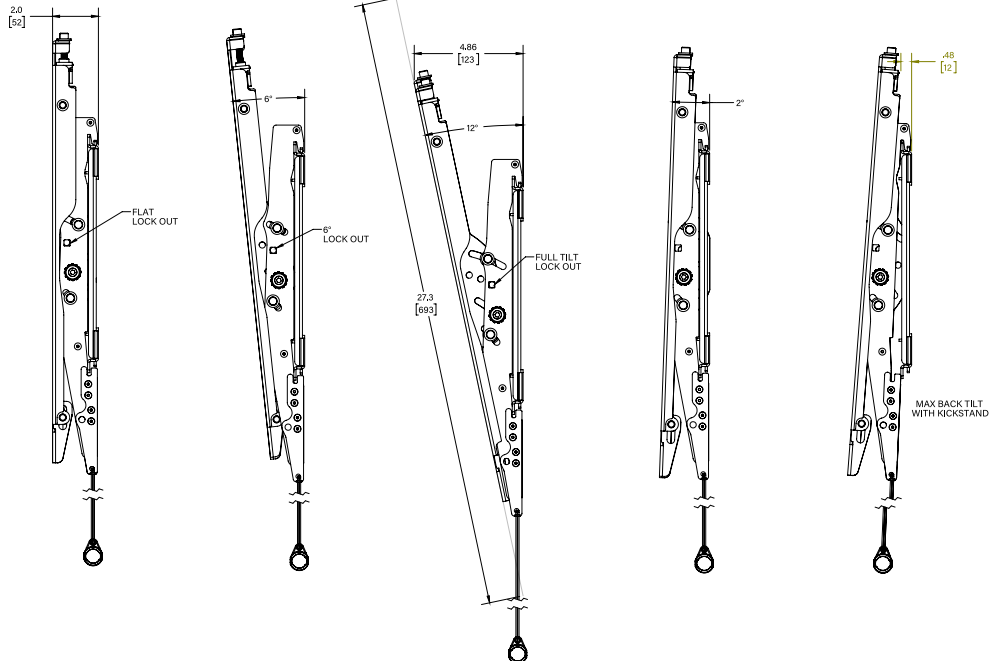
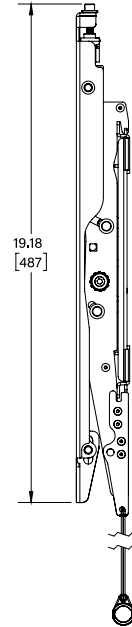
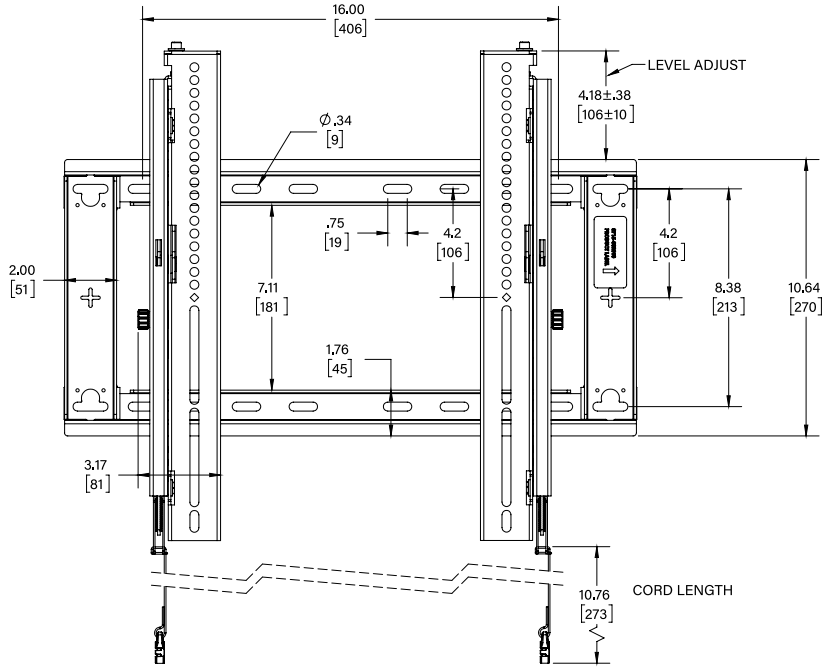


**RMT3**

**MEDIUM FIT™ TILT  
WALL MOUNT**

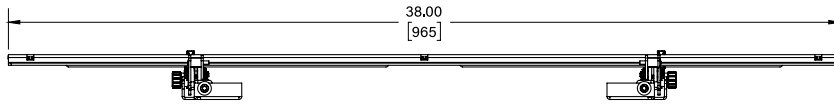


Measurements within brackets [xx.xx] are mm, measurements outside of brackets are inches.

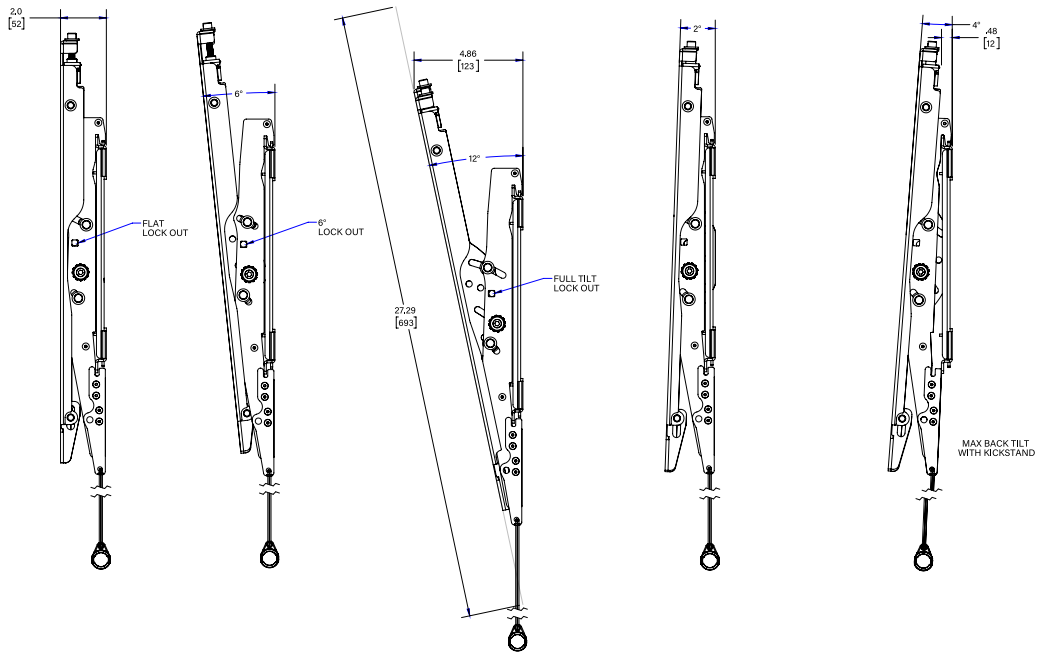
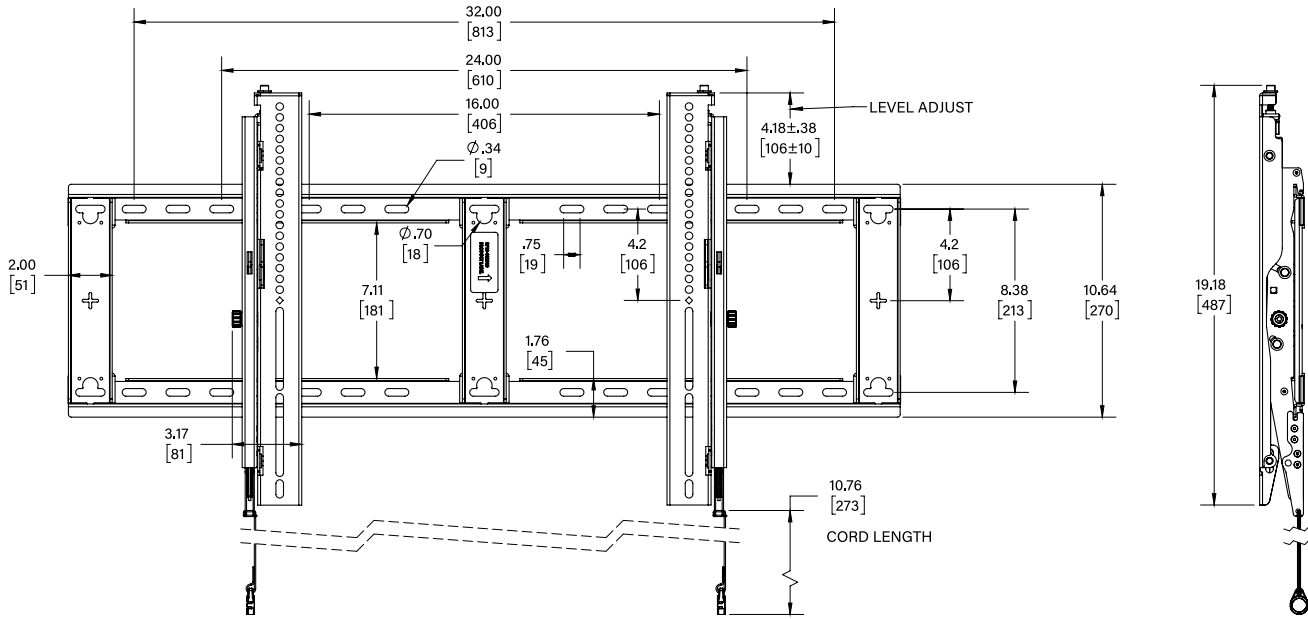


**RLT3**

**LARGE FIT™ TILT WALL MOUNT**

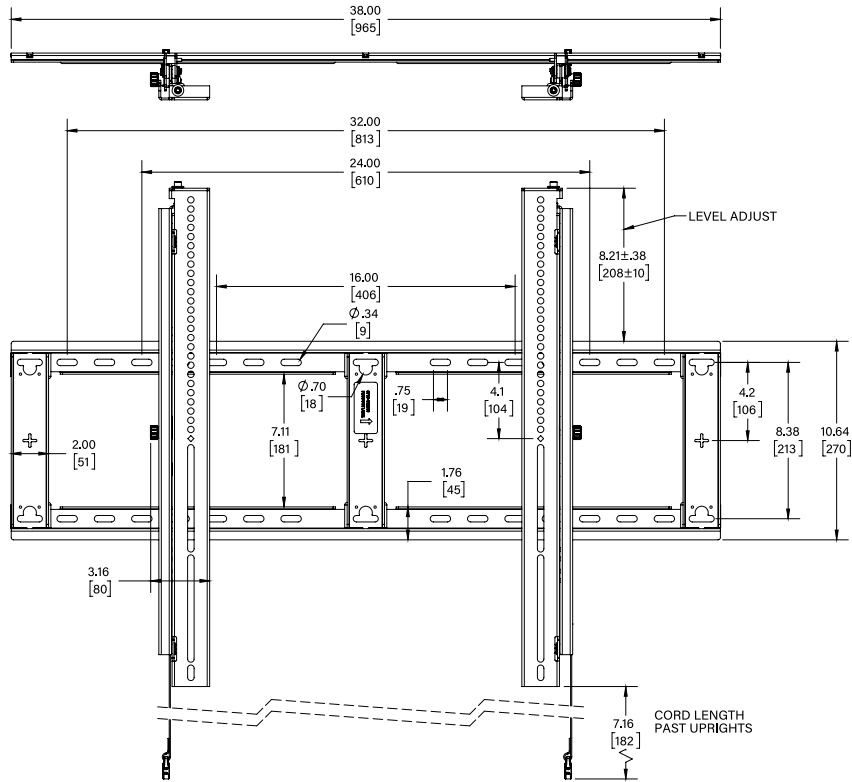


Measurements within brackets [xx.xx] are mm, measurements outside of brackets are inches.

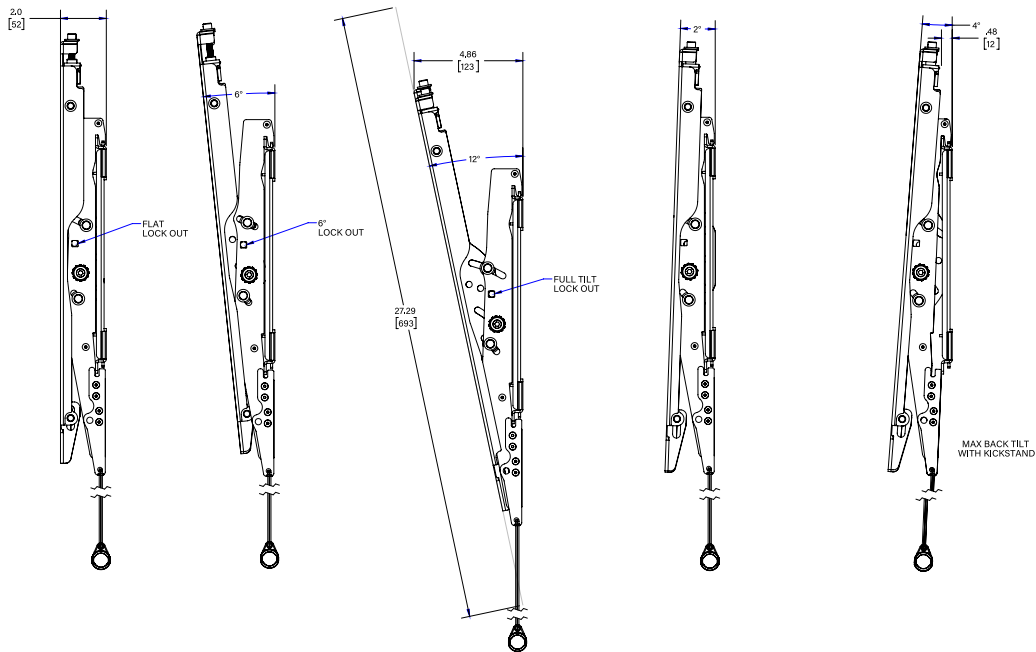
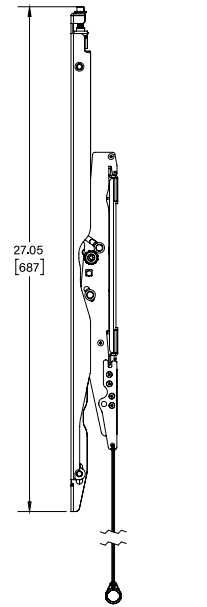


## RXT3

### EXTRA-LARGE FIT™ TILT WALL MOUNT

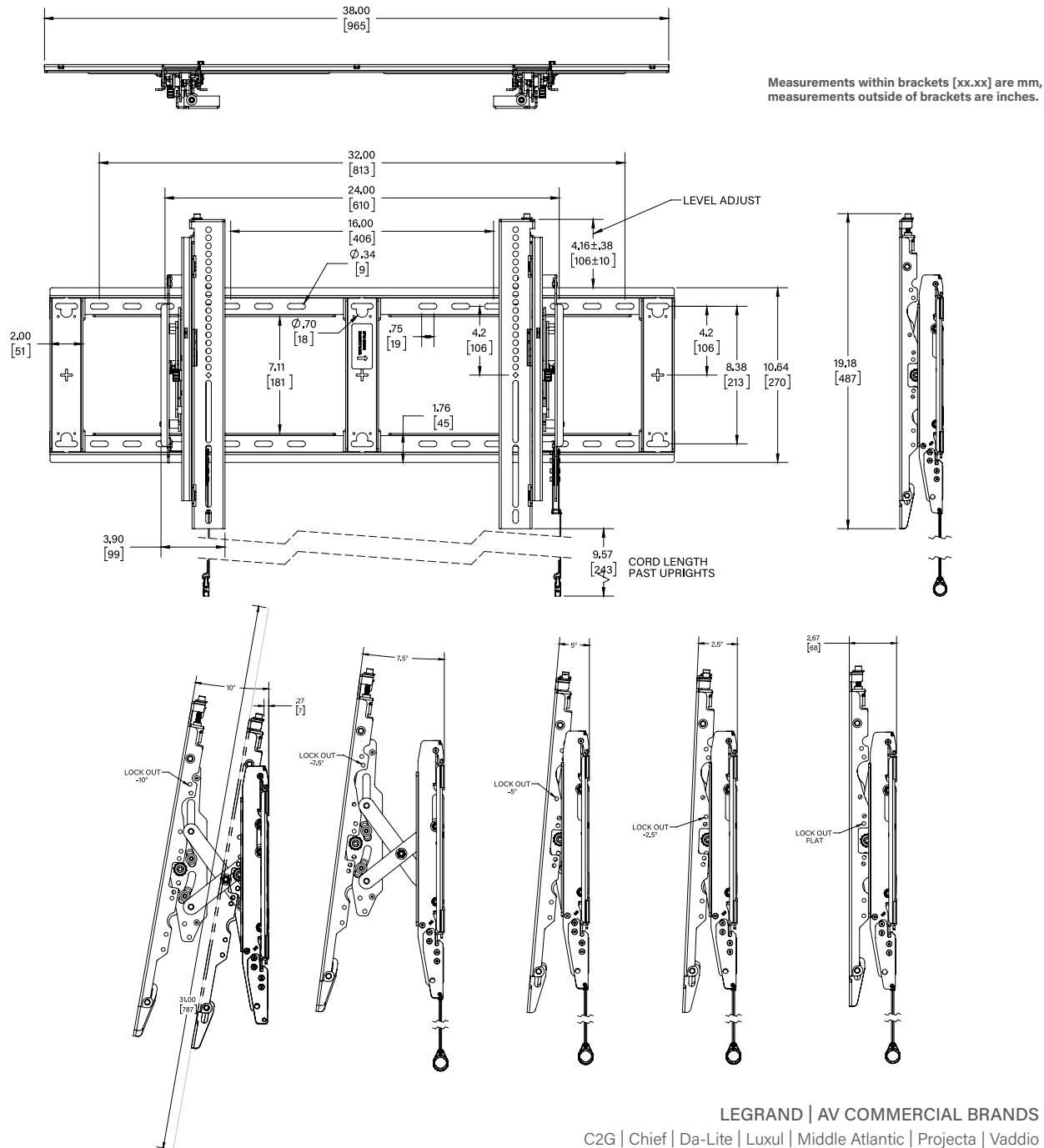


Measurements within brackets [xx.xx] are mm, measurements outside of brackets are inches.



## RLXT3

### EXTRA-LARGE FIT™ TILT WALL MOUNT



LEGRAND | AV COMMERCIAL BRANDS

C2G | Chief | Da-Lite | Luxul | Middle Atlantic | Projecta | Vaddio

INSTALLER INSPIRED | [legrandav.com](http://legrandav.com)

USA 866.977.3901 [av.chief.support@legrand.com](mailto:av.chief.support@legrand.com) CANADA 877.345.4329 [av.chief.canada@legrand.com](mailto:av.chief.canada@legrand.com)

EMEA +31 495 580 840 [av.emea.sales@legrand.com](mailto:av.emea.sales@legrand.com) APAC +852 2145 4099 [av.asia.sales@legrand.com](mailto:av.asia.sales@legrand.com)

©2022 Legrand AV Inc. 220580 Rev A 8/22 Chief is a registered trademark of Legrand AV Inc. All other brand names or marks are used for identification purposes and are trademarks of their respective owners. All patents are protected under existing designations. Other patents pending.