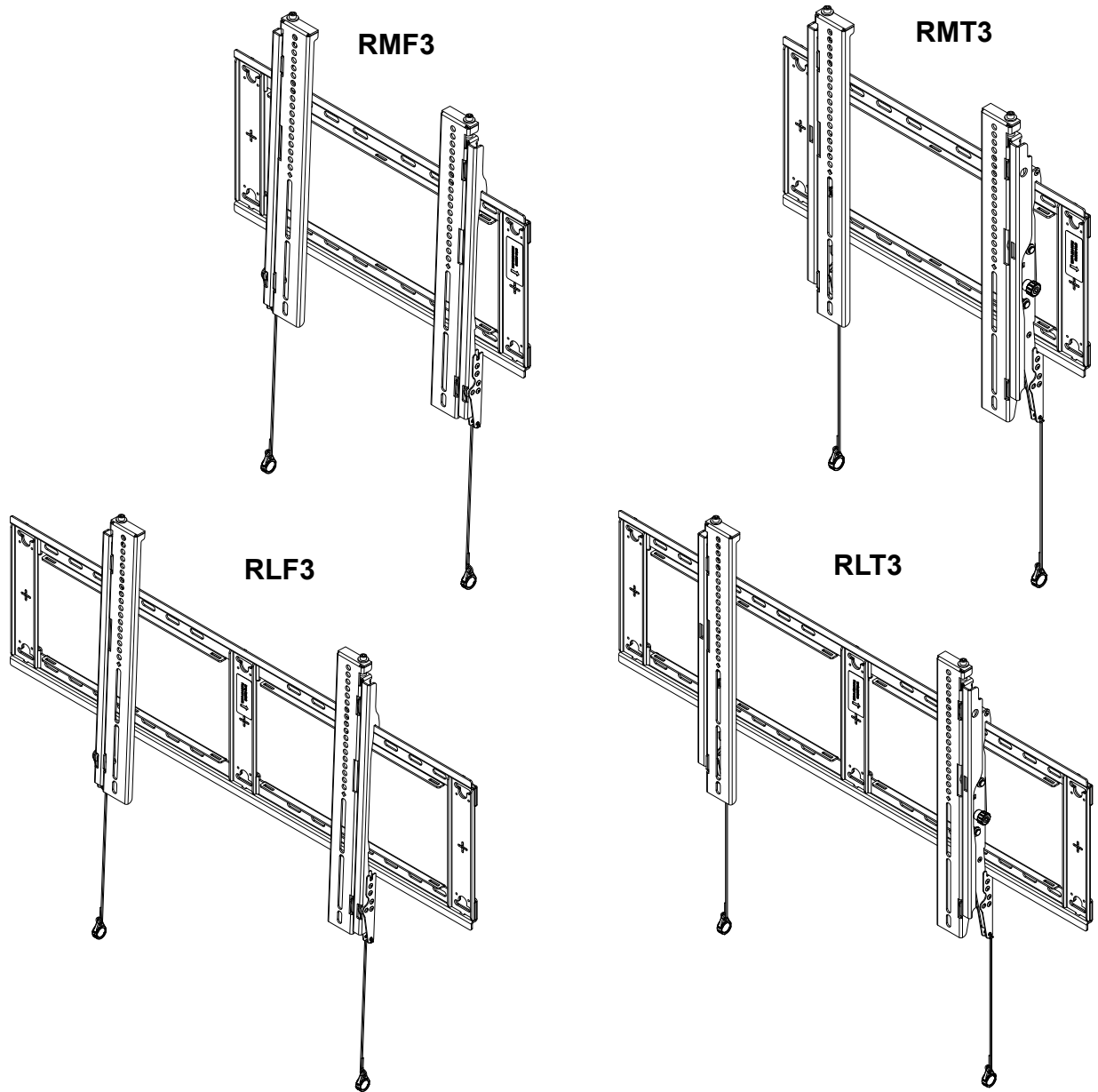

INSTALLATION INSTRUCTIONS



FIT MEDIUM/LARGE FLAT PANEL MOUNTS

DISCLAIMER

Legrand | AV and its affiliated corporations and subsidiaries (collectively "Legrand | AV"), intend to make this manual accurate and complete. However, Legrand | AV makes no claim that the information contained herein covers all details, conditions or variations, nor does it provide for every possible contingency in connection with the installation or use of this product. The information contained in this document is subject to change without notice or obligation of any kind. Legrand | AV makes no representation of warranty, expressed or implied, regarding the information contained herein. Legrand | AV assumes no responsibility for accuracy, completeness or sufficiency of the information contained in this document.

Chief® is a registered trademark of Legrand | AV Inc.

DEFINITIONS

MOUNTING SYSTEM: A MOUNTING SYSTEM is the primary Chief product to which an accessory and/or component is attached.

ACCESSORY: AN ACCESSORY is the secondary Chief product which is attached to a primary Chief product, and may have a component attached or setting on it.

COMPONENT: A COMPONENT is an audiovisual item designed to be attached or resting on an accessory or mounting system such as a video camera, CPU, screen, display, projector, etc.



WARNING: A WARNING alerts you to the possibility of serious injury or death if you do not follow the instructions.



CAUTION: A CAUTION alerts you to the possibility of damage or destruction of equipment if you do not follow the corresponding instructions.



IMPORTANT SAFETY INSTRUCTIONS



WARNING: Failure to read, thoroughly understand, and follow all instructions can result in serious personal injury, damage to equipment, or voiding of factory warranty! It is the installer's responsibility to make sure all mounting systems are properly assembled and installed using the instructions provided.



WARNING: Failure to provide adequate structural strength for this mounting system can result in serious personal injury or damage to equipment! It is the installer's responsibility to make sure the structure to which this mounting system is attached can support five times the combined weight of all equipment. Reinforce the structure as required before installing the mounting system.



WARNING: Exceeding the weight capacity can result in serious personal injury or damage to equipment! It is the installer's responsibility to make sure the combined weight of all components and accessories attached to RMF3/RMT3 does not exceed 125 lbs (56.7 kg), **OR** 200 lbs (90.7 kg) for the RLF3/RLT3.



WARNING: Use this mounting system only for its intended use as described in these instructions. Do not use attachments not recommended by the manufacturer.



WARNING: Never operate this mounting system if it is damaged. Return the mounting system to a service center for examination and repair.



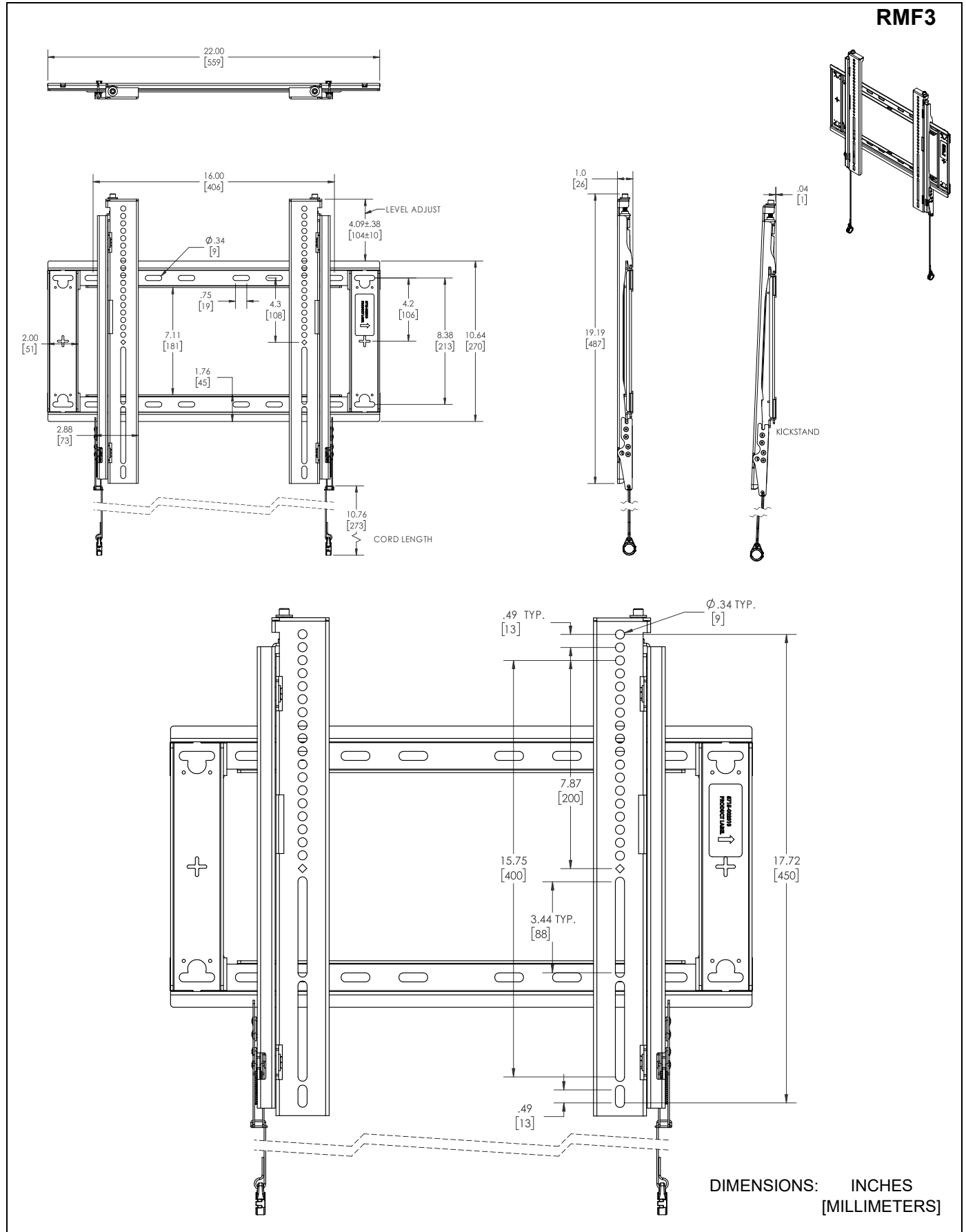
WARNING: Do not use this mounting system outdoors.

IMPORTANT ! : The RMF3/RMT3/RLF3/RLT3 mounts are designed to be mounted to:

- a bare 8" concrete or 8"x8"x16" concrete block wall;
- a steel stud wall with drywall thickness between 1/2" (min) and 5/8" (max);
- **RMF3/RMT3:** 16" stud spacing
- **RLF3/RLT3:** 16" or 24" stud spacing
- a 2" x 4" wood stud wall covered by drywall with thickness between 1/2" (min) and 5/8" (max);
- **RMF3/RMT3:** 16" stud spacing
- **RLF3/RLT3:** 16" or 24" stud spacing

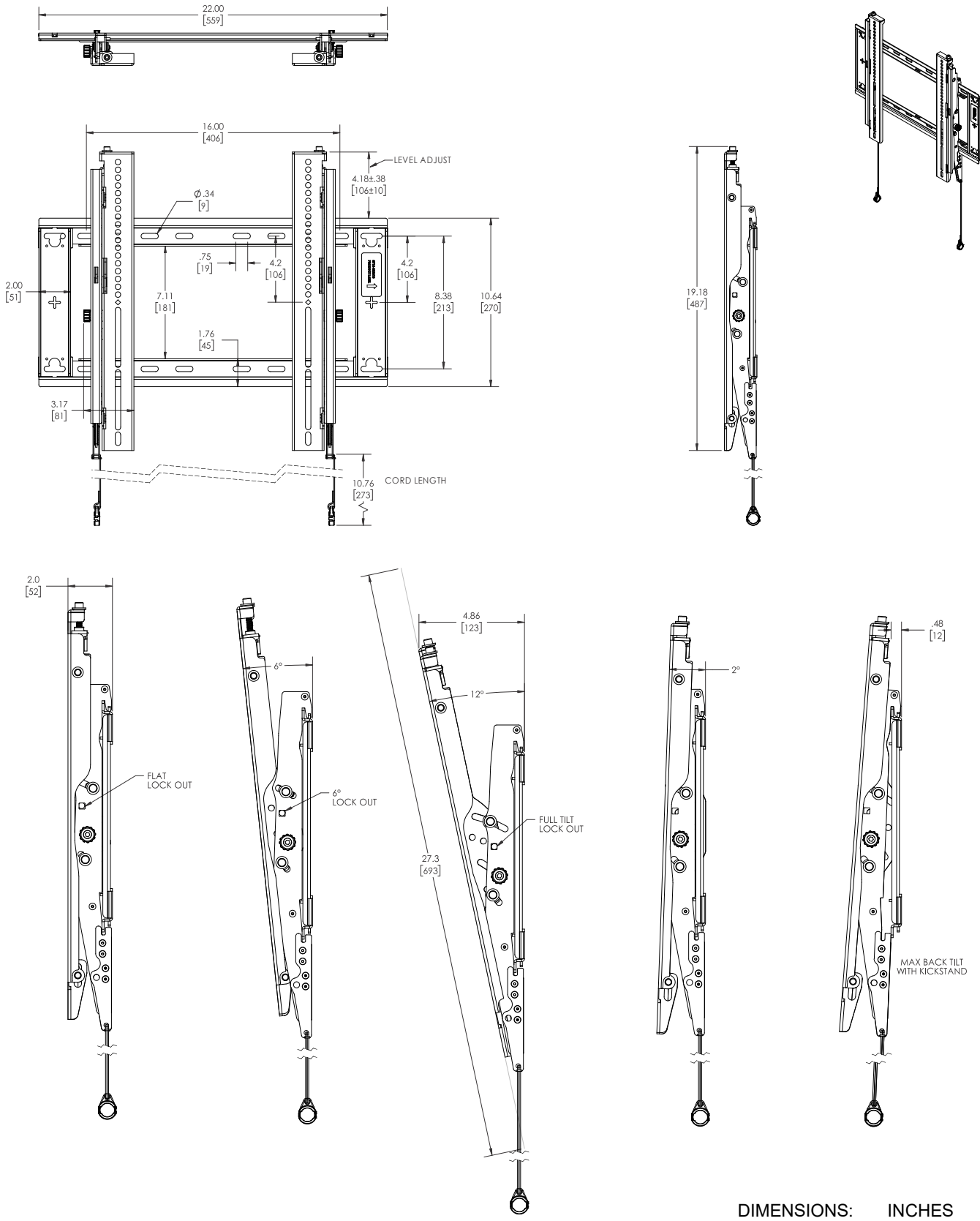
--SAVE THESE INSTRUCTIONS--

DIMENSIONS



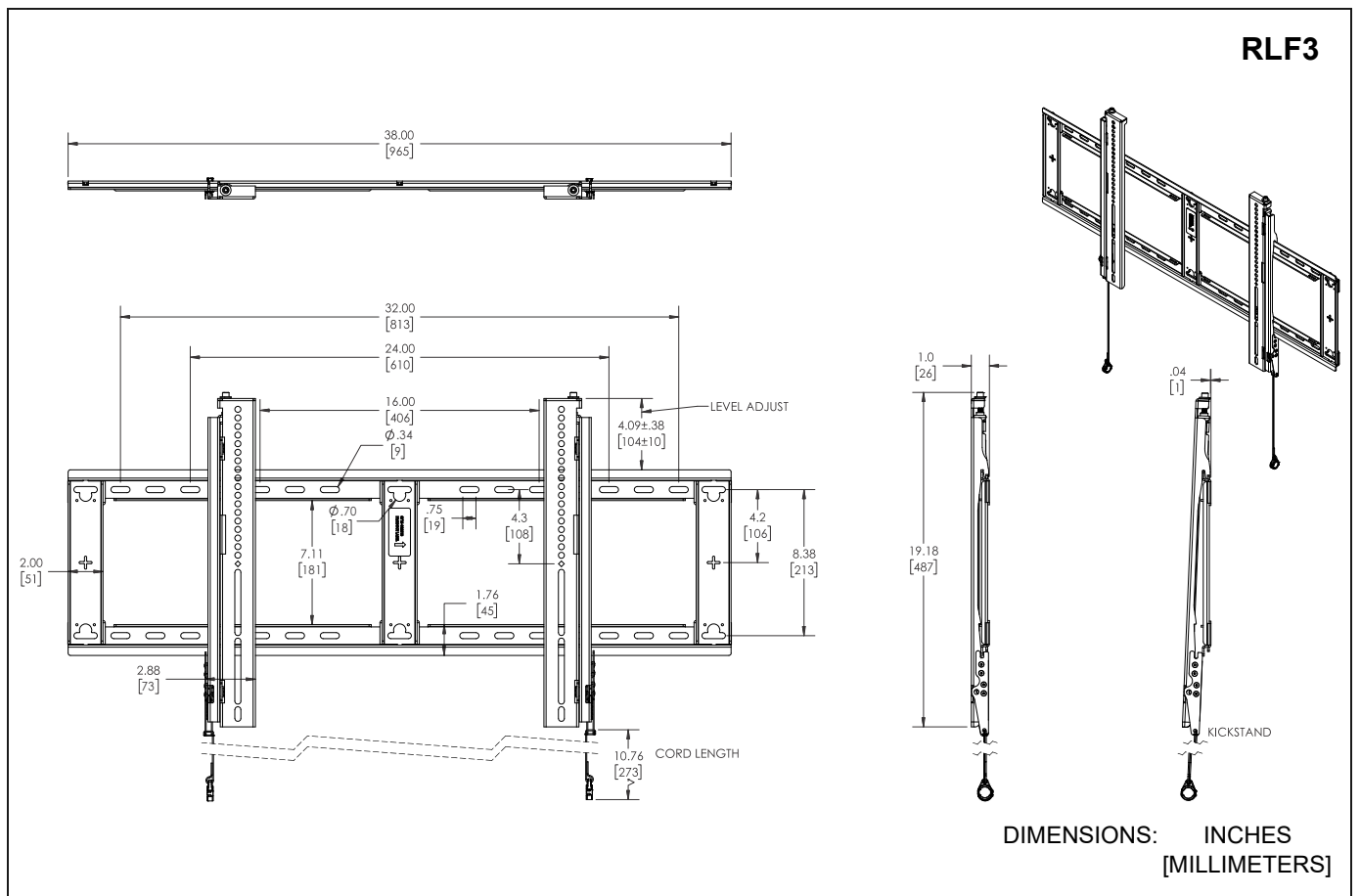
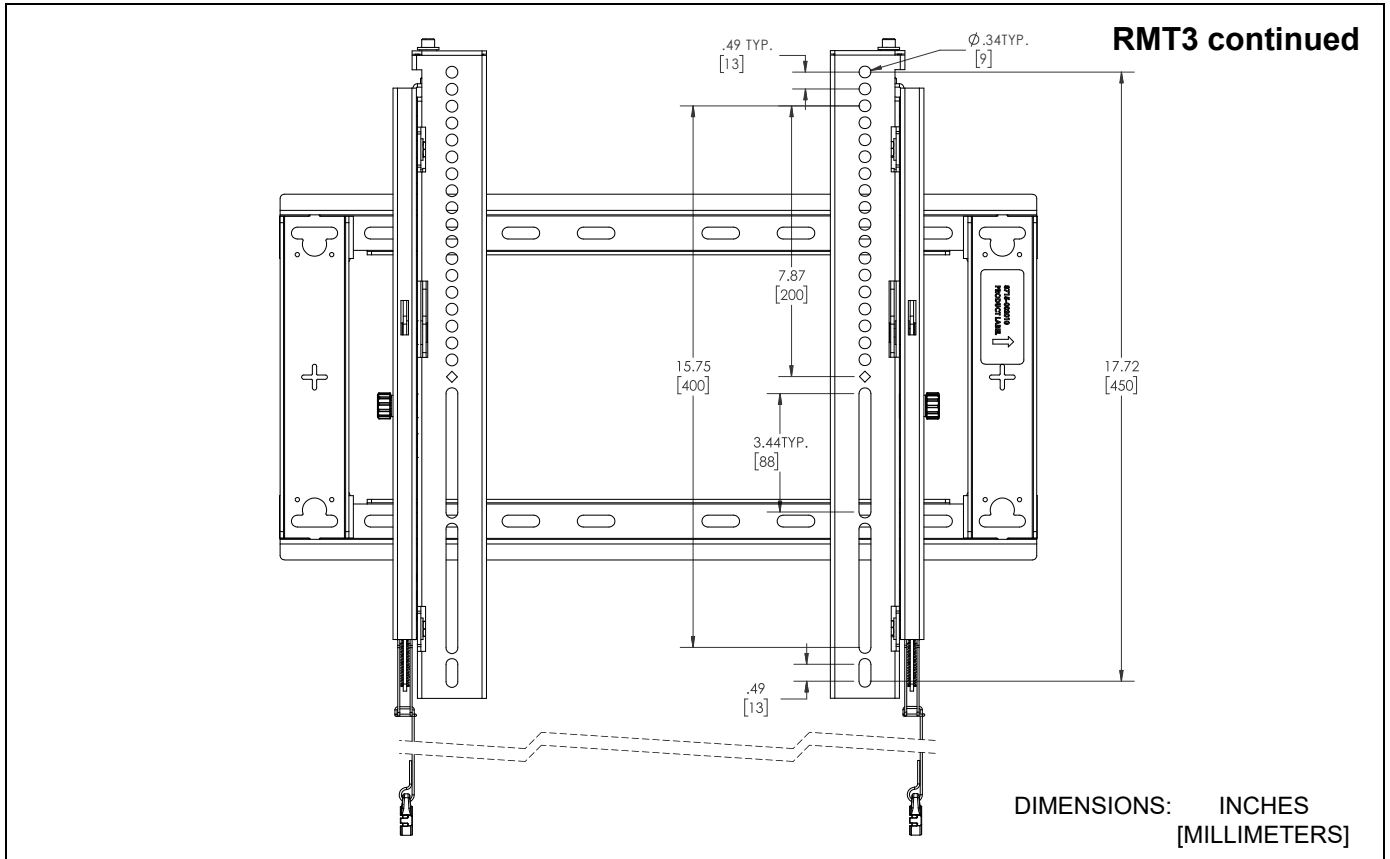
DIMENSIONS--continued

RMT3

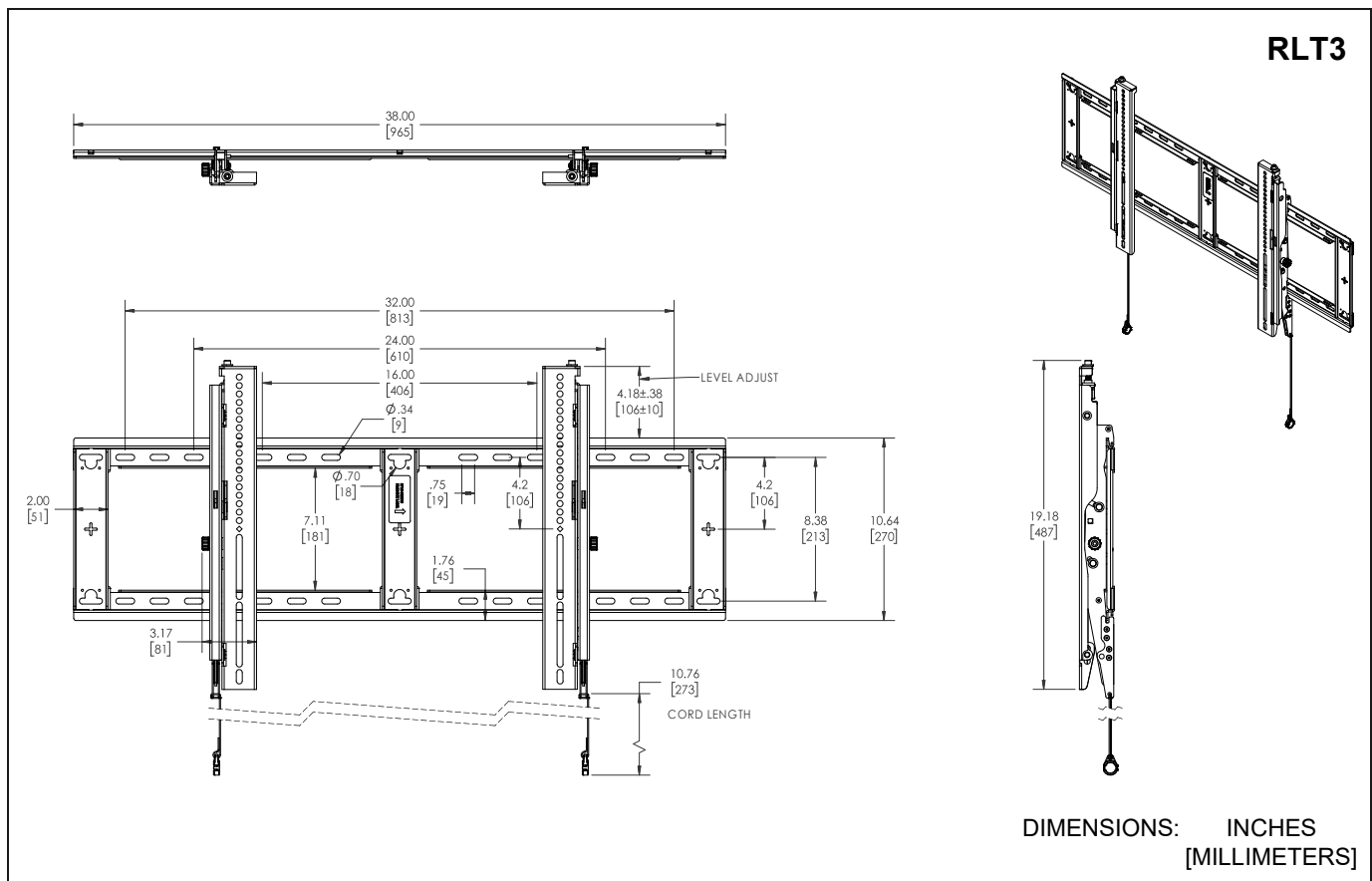
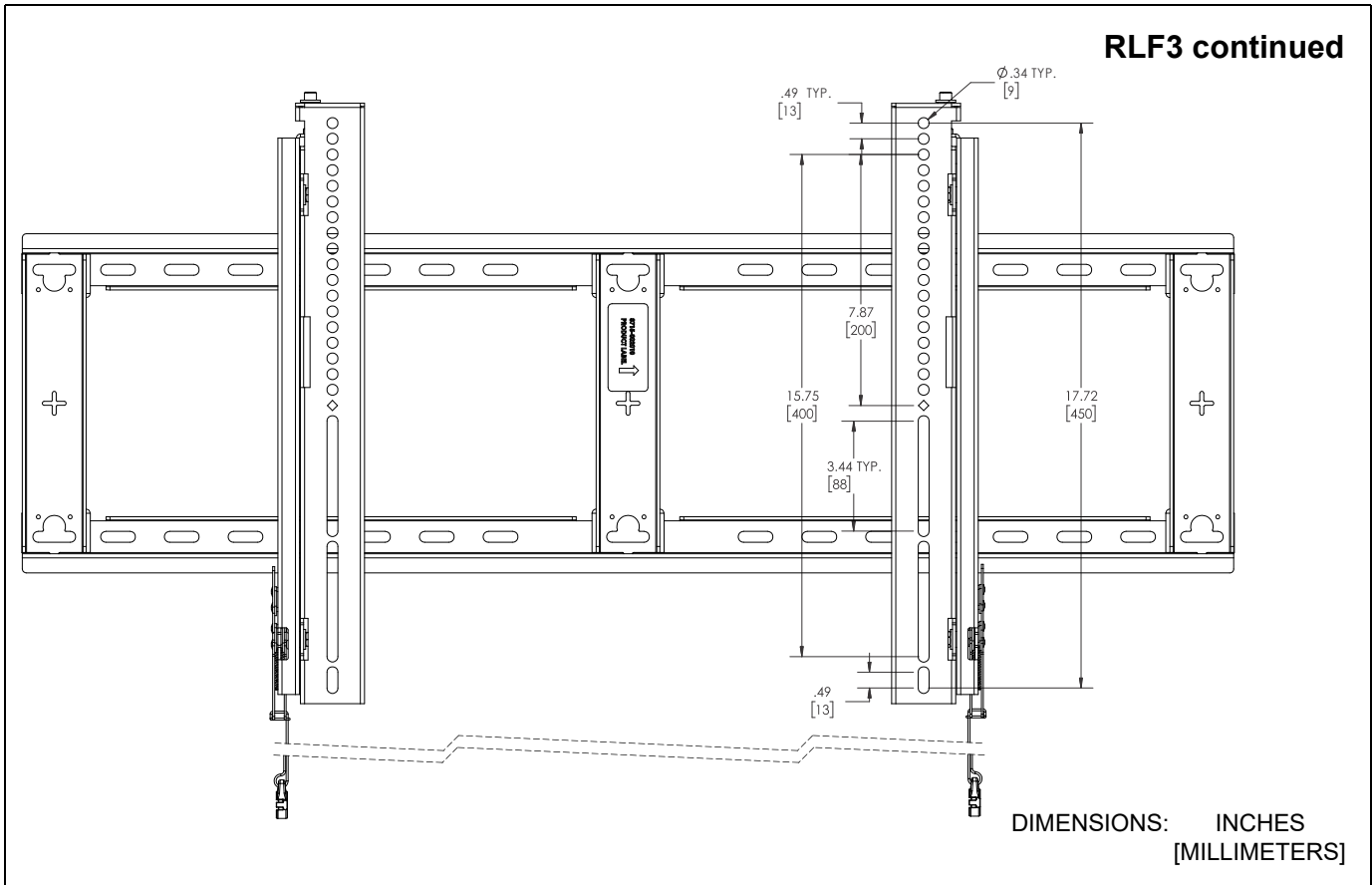


DIMENSIONS: INCHES
[MILLIMETERS]

DIMENSIONS--continued

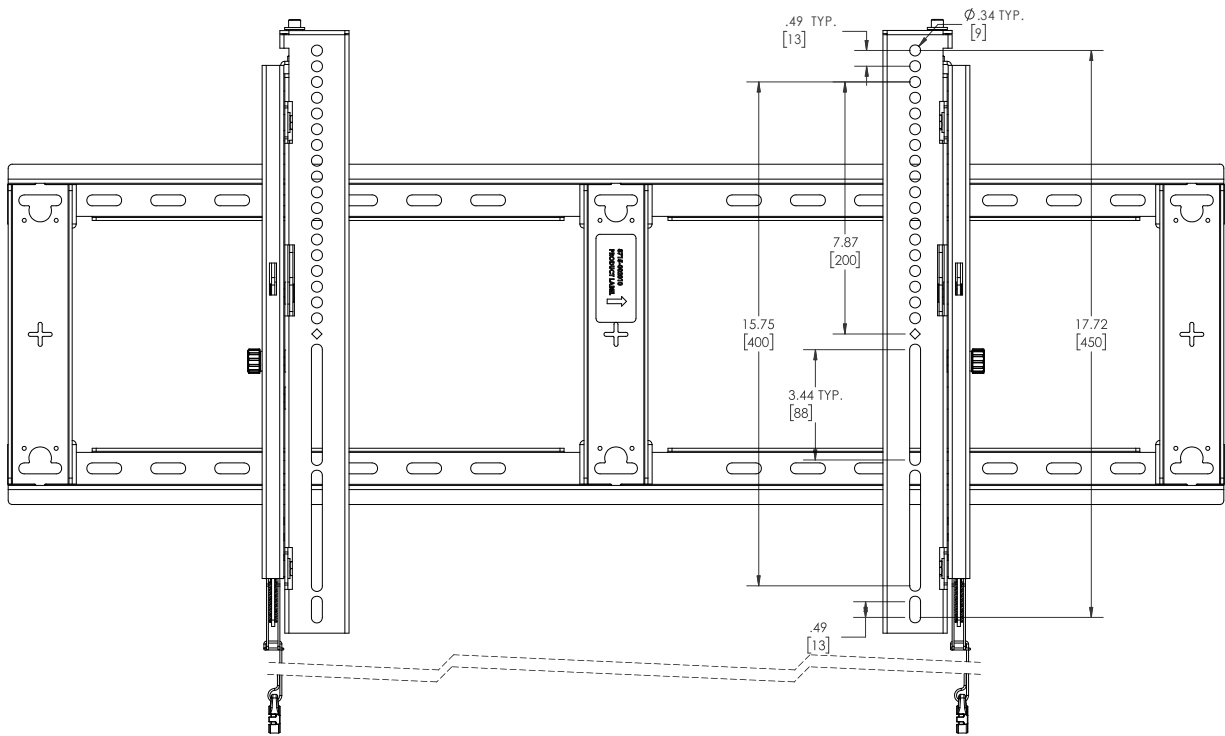
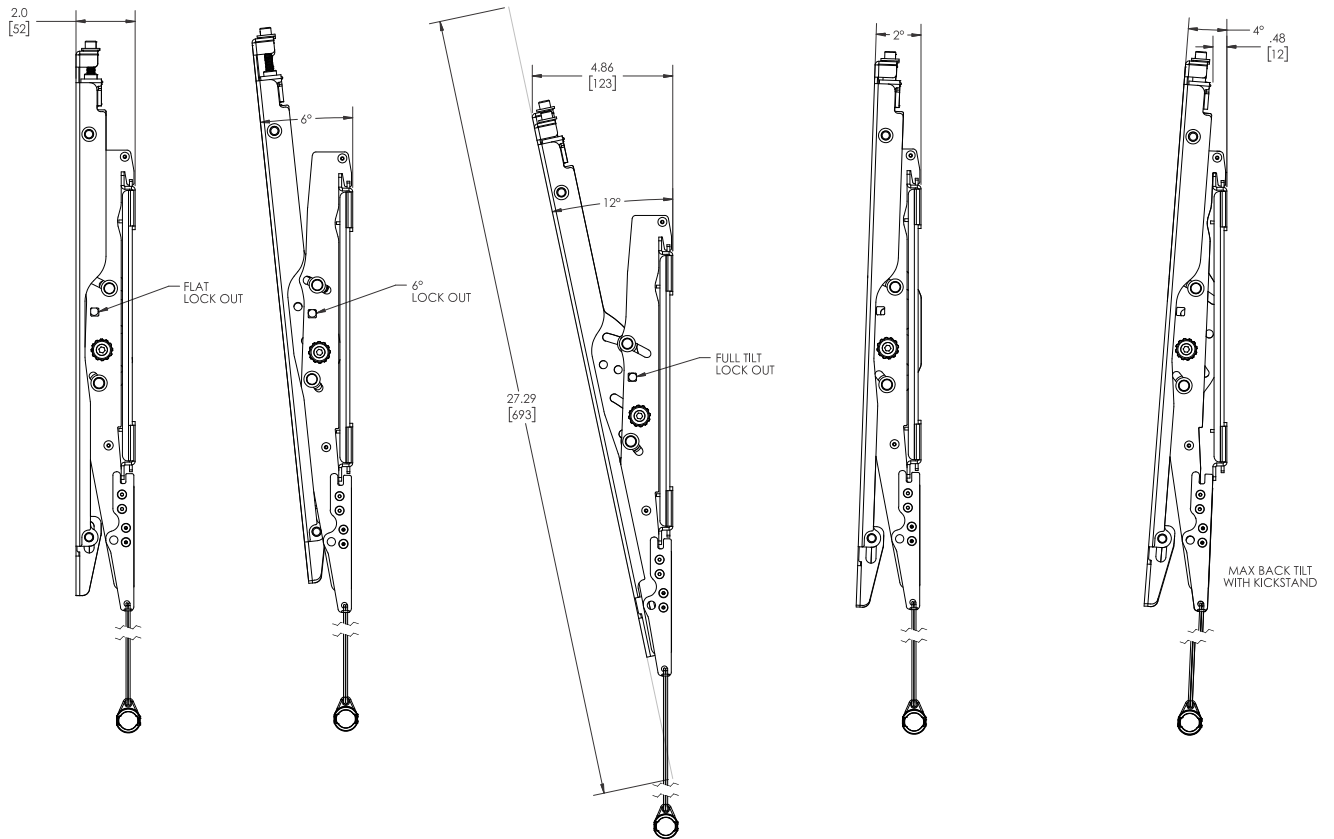


DIMENSIONS--continued



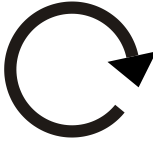

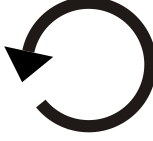


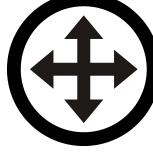






DIMENSIONS--continued

RLT3 continued



DIMENSIONS: INCHES [MILLIMETERS]

LEGEND

	<p>Tighten Fastener</p> <p>Apretar elemento de fijación</p> <p>Befestigungsteil festziehen</p> <p>Apertar fixador</p> <p>Serrare il fissaggio</p> <p>Bevestiging vastdraaien</p> <p>Serrez les fixations</p>		<p>Pencil Mark</p> <p>Marcar con lápiz</p> <p>Stiftmarkierung</p> <p>Marcar com lápis</p> <p>Segno a matita</p> <p>Potloodmerkteken</p> <p>Marquage au crayon</p>
	<p>Loosen Fastener</p> <p>Aflojar elemento de fijación</p> <p>Befestigungsteil lösen</p> <p>Desapertar fixador</p> <p>Allentare il fissaggio</p> <p>Bevestiging losdraaien</p> <p>Desserrez les fixations</p>		<p>Drill Hole</p> <p>Perforar</p> <p>Bohrloch</p> <p>Fazer furo</p> <p>Praticare un foro</p> <p>Gat boren</p> <p>Percez un trou</p>
	<p>Phillips Screwdriver</p> <p>Destornillador Phillips</p> <p>Kreuzschlitzschraubendreher</p> <p>Chave de fendas Phillips</p> <p>Cacciavite a stella</p> <p>Kruiskopschroevendraaier</p> <p>Tournevis à pointe cruciforme</p>		<p>Adjust</p> <p>Ajustar</p> <p>Einstellen</p> <p>Ajustar</p> <p>Regolare</p> <p>Afstellen</p> <p>Ajuster</p>
	<p>Open-Ended Wrench</p> <p>Llave de boca</p> <p>Gabelschlüssel</p> <p>Chave de bocas</p> <p>Chiave a punte aperte</p> <p>Steeksleutel</p> <p>Clé à fourche</p>		<p>Remove</p> <p>Quitar</p> <p>Entfernen</p> <p>Remover</p> <p>Rimuovere</p> <p>Verwijderen</p> <p>Retirez</p>
	<p>By Hand</p> <p>A mano</p> <p>Von Hand</p> <p>Com a mão</p> <p>A mano</p> <p>Met de hand</p> <p>À la main</p>		<p>Optional</p> <p>Opcional</p> <p>Optional</p> <p>Opcional</p> <p>Opzionale</p> <p>Optie</p> <p>En option</p>
	<p>Hex-Head Wrench</p> <p>Llave de cabeza hexagonal</p> <p>Sechskantschlüssel</p> <p>Chave de cabeça sextavada</p> <p>Chiave esagonale</p> <p>Zeskantsleutel</p> <p>Clé à tête hexagonale</p>		<p>Security Wrench</p> <p>Llave de seguridad</p> <p>Sicherheitsschlüssel</p> <p>Chave de segurança</p> <p>Chiave di sicurezza</p> <p>Veiligheidssleutel</p> <p>Clé de sécurité</p>

TOOLS REQUIRED FOR INSTALLATION

Hardware Required - not included (for installation into steel stud walls)

- Chief brand Toggler Kit; **OR**
- Hardware for installation to steel stud wall:
 - 1/4-20 Toggler Snpatoggle BB (Qty 4)
 - 1/4-20 x 2-1/2" Phillips screw (Qty 4)
 - 1/4 washer (Qty 4)

7/32" (5.5mm) Wood Stud
3/8" (9.5mm) Concrete
3/16" x 10" (included)

PARTS

Universal Hardware Kit [Included in hardware box]

A (4) M4x12mm, B (4) M4x20mm, C (4) M4x25mm, D (4) M5x12mm, E (4) M5x20mm, F (4) M5x25mm, G (4) M6x12mm, H (4) M6x20mm, I (4) M6x25mm, J (4) M8x12mm, K (4) M8x20mm, L (4) M8x30mm, MA (8) [Nesting spacer], MB (4) [Universal washer]

Wall Mounting Hardware Kit [Included in hardware box]

N (4) 5/16 x 2-1/2", P (4) UX10x60mm, Q (4) [Slotted washer]

Lockout Hardware Kit [Included in hardware box]

Y (2) 1/4"-20, Z (2) 1/4"-20 x 1"

R (1) 3/16" [Included in hardware box]

Fixed Interface brackets

S (1) [left], T (1) [right]

Tilt Interface brackets

U (1) [left], V (1) [right]

W (1) [RLF3/RLT3 mount], X (1) [RMF3/RMT3 mount]

INSTALLATION

The RMF3/RMT3/RLF3/RLT3 mounts are designed to be mounted to a bare 8" concrete, 8"x8"x16" concrete block; or 2" x 4" wood/metal studs (RMF3/RMT3: 16", RLF3/RLT3: 16" or 24") wall covered by drywall with thickness between 1/2" (min) and 5/8" (max).

The RMT3/RLT3 have brackets which allow the TV to be tilted. The RMF3/RLF3 have static brackets which keep the TV in an upright position.

Locate Mounting Site



WARNING: IMPROPER INSTALLATION CAN LEAD TO MOUNT FALLING CAUSING SEVERE PERSONAL INJURY OR DAMAGE TO EQUIPMENT! It is the installers responsibility to make certain the structure to which the mount is being attached is capable of supporting five times the combined weight of all components located on the mount, not to exceed 125 lbs (56.7 kg) for RMF3/RMT3 **OR** 200 lbs (90.7 kg) for RLF3/RLT3.

NOTE: Proceed to either the **Installing to a Wood/Metal Stud Wall** section or the **Installing to a Concrete Wall** section.

Installing to a Wood Stud Wall

1. Determine the center of the TV screen, and where it should be located on the wall.
2. Locate the closest stud to the center of the TV screen, then locate the closest stud to the left and right of the selected location (RLF3/RLT3). (See Figure 1)
3. Line up the four slots on mount (W/X) with the two studs previously identified. (See Figure 1)

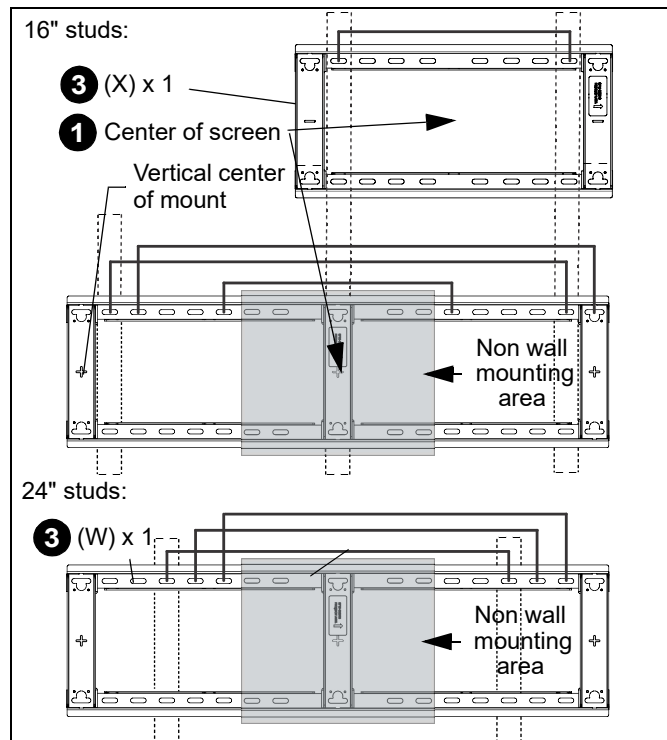


Figure 1

4. Using a level, mark the wall on each stud to attach the mount through the upper mounting slots. (See Figure 2)
5. Drill one 7/32" (5.5mm) pilot hole in each stud.
6. Partially install two 5/16 x 2-1/2" flanged lag bolts (N) into pilot holes but do not tighten to wall.
7. Hang mount (W/X), aligning upper mounting slots over lag bolts and adjust side-to-side for proper location.
8. Place one slotted washer (Q) over each flanged lag bolt. (See Figure 2)
9. Tighten lag bolts to secure mount (W/X) to wall at upper mounting slots.

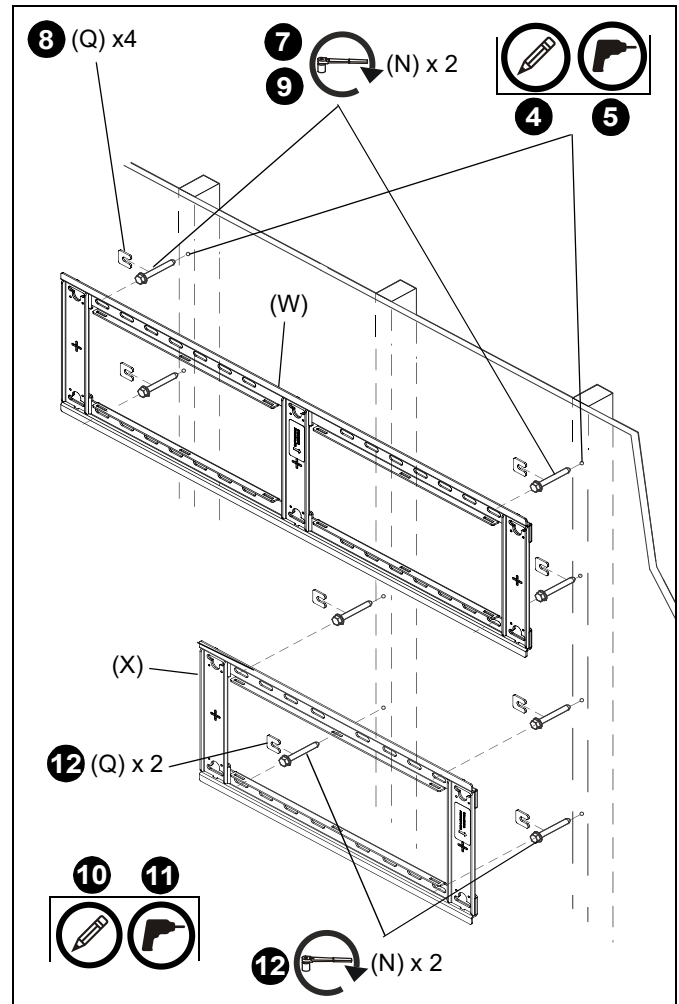


Figure 2

10. Mark the attachment points for the lower mounting slots, making sure the attachment points are located on the studs. (See Figure 2)
11. Drill 7/32" (5.5mm) pilot holes at markings for lower mounting holes. (See Figure 2)
12. Use two 5/16 x 2-1/2" flanged lag bolts (N) and two 5/16" slotted washers (Q) to attach the mount to the wall through the lower mounting holes. (See Figure 2)
13. Slide mount (W/X) to approximate center of screen location.
14. Proceed to **Attaching Interface Brackets to Screen** section.

Steel Stud Wall



WARNING: IMPROPER INSTALLATION CAN LEAD TO EQUIPMENT FALLING CAUSING SERIOUS PERSONAL INJURY OR DAMAGE TO EQUIPMENT! The figure below identifies the minimum requirements for installation of display mounts onto a steel stud structure. If the structure or its components do not meet these requirements contact the mount manufacturer for specific instructions before attempting installation. It should also be noted that no other equipment should be mounted to the same stud.

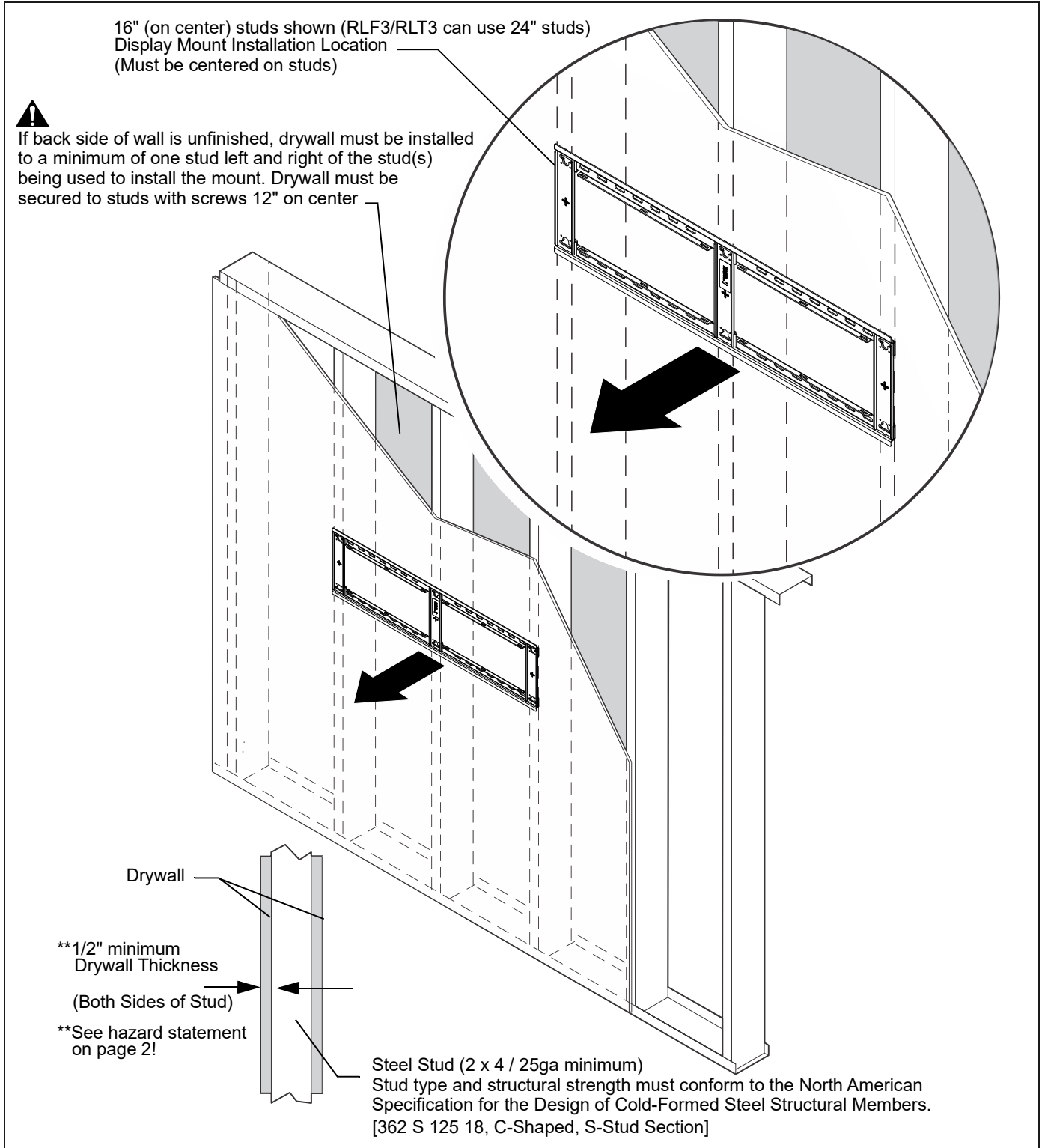


Figure 3

1. Identify desired mounting location on wall.
2. Align mounting holes in mount with studs making sure mounting holes are centered on studs.
3. Mark location of four mounting holes on wall. (See Figure 2)
4. Drill four 1/2" holes.
5. Hold metal channel on anchor flat alongside plastic straps and slide channel through hole. (See Figure 4)

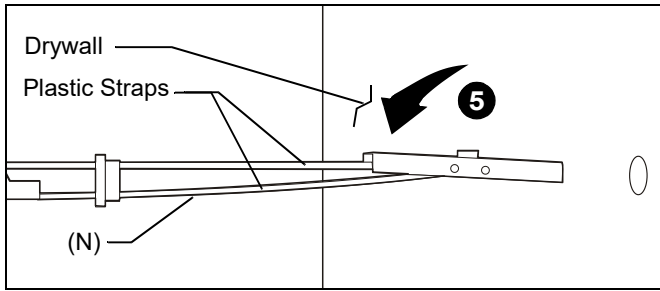


Figure 4

6. Holding plastic straps on anchor, pull anchor away from wall until channel rests flush behind wall making sure anchor channel is positioned vertically on stud. (See Figure 5)
7. Slide plastic cap on anchor towards wall until flange of cap is flush with wall. (See Figure 5)

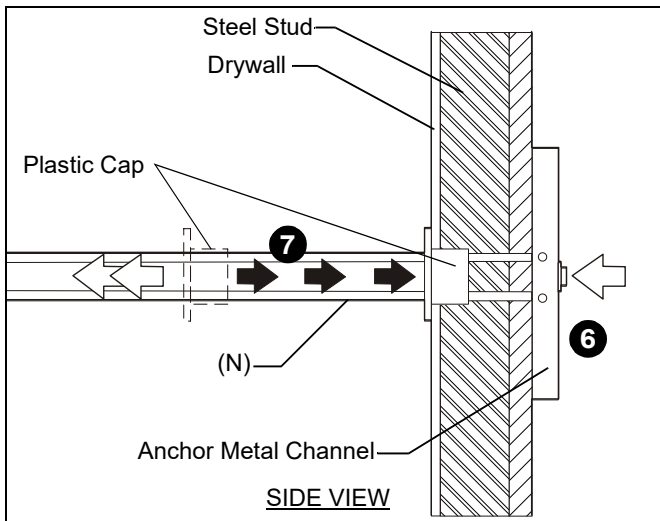


Figure 5

8. Snap off plastic straps on anchor at wall by pushing side to side, snapping off straps level with flange of plastic cap. (See Figure 6)
9. Repeat Steps 5 through 8 for each mounting hole.

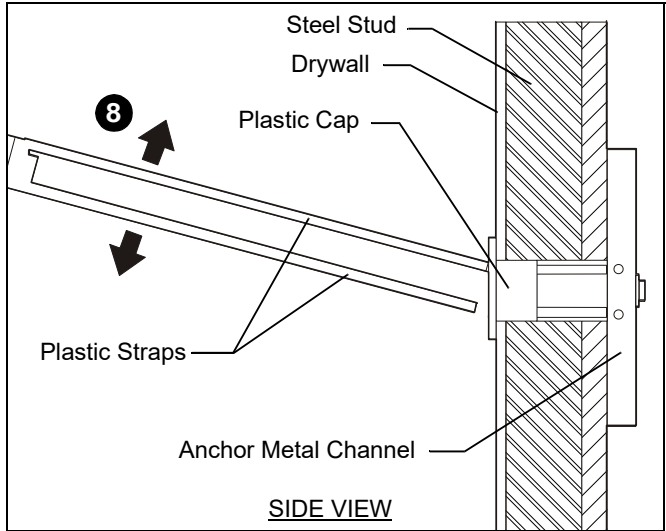


Figure 6

10. Place mount over anchors and align mounting holes in display mount with holes in anchors. (See Figure 7)
11. Place 1/4" flat washer onto 1/4-20 x 1-3/4" Phillips pan head screw.
12. Insert Phillips pan head screw with flat washer through mounting hole in wall mount and into anchor and tighten until flush against mount. DO NOT overtighten! (See Figure 7)
13. Repeat steps 10 through 12 for remaining mounting holes.



WARNING: IMPROPER INSTALLATION CAN LEAD TO EQUIPMENT FALLING CAUSING SERIOUS PERSONAL INJURY OR DAMAGE TO EQUIPMENT! Overtightening of mounting hardware can damage the steel studs. DO NOT overtighten mounting hardware!

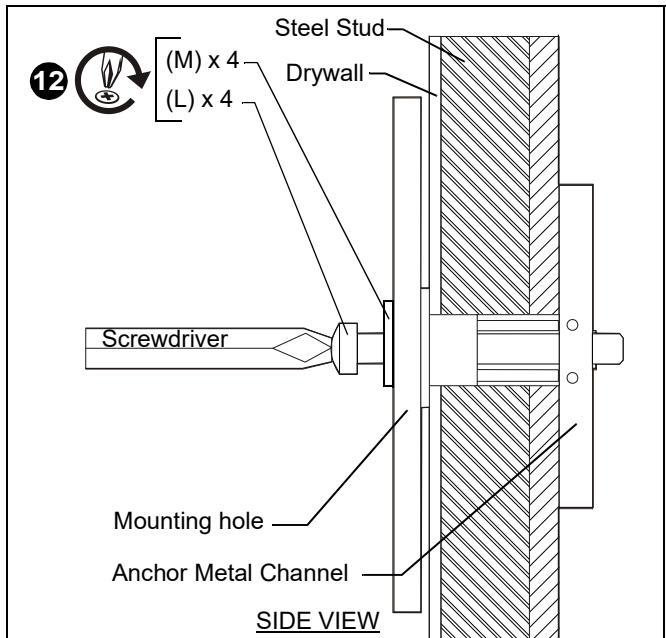


Figure 7

Installing to a Concrete Wall

1. Determine the center of the TV screen, and where it should be located on the wall.
2. Line up the horizontal slots on mount (W/X) with center of screen marking to determine vertical center. (See Figure 8)
3. Measure up 4.2" (106mm) from the center point to mark location of the upper mounting slots.
4. Measure down 4.2" (106mm) from the center point to mark location of the lower mounting slots.
5. Using a level, mark the wall through both upper mounting slots. (See Figure 8)

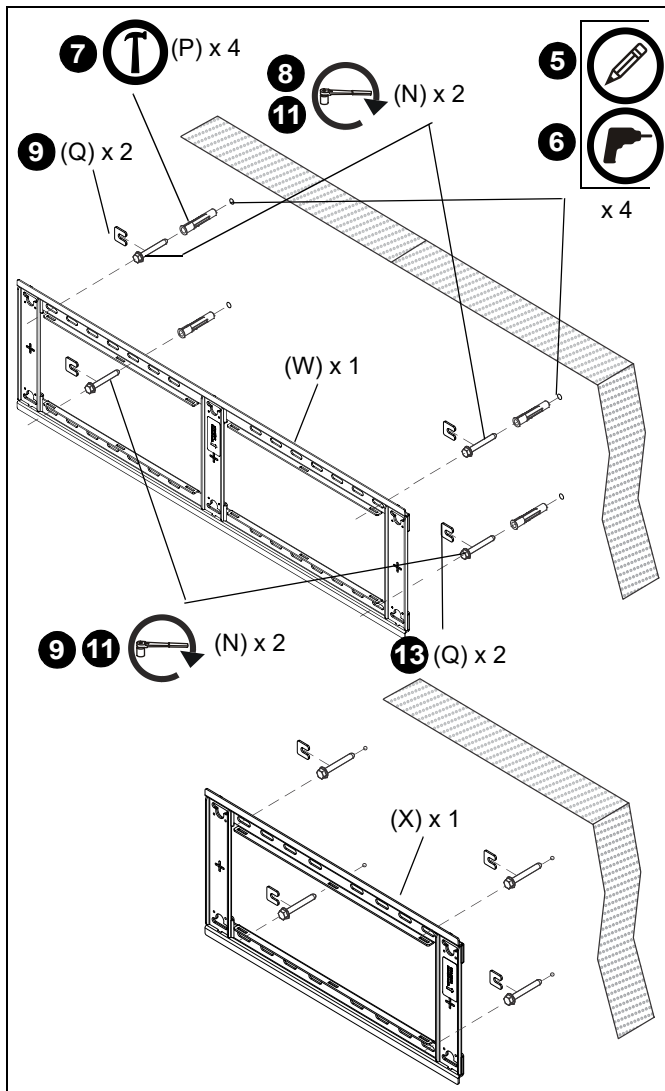


Figure 8



CAUTION: MINIMUM HORIZONTAL DISTANCE BETWEEN WALL BRACKETS IS 16" (406.4mm). Do not place mounting brackets closer together than 16" (406.4mm).

6. Remove mount (W/X) from wall and drill one 3/8" x 3-1/2" (9.5mm x 88.9mm) pilot hole at each marking (four total).

7. Install an anchor (P) into each pilot hole using a hammer, making sure that the anchor is flush with the wall.
8. Replace mount (W/X) on wall and partially install two 5/16 x 2-1/2" flanged lag bolts (N) into upper anchors but do not tighten to wall.
9. Partially install two 5/16 x 2-1/2" flanged lag bolts (N) into lower anchors but do not tighten to wall.
10. Place one slotted washer (Q) over each flanged lag bolt. (See Figure 8)
11. Tighten lag bolts to secure mount (W/X) to wall at upper mounting slots.
12. Slide mount (U) to approximate center of screen location.

Attaching Interface Brackets to Screen

1. Align the center of the bracket (S and T or U and V) with center of screen. (See Figure 9)

NOTE: The diamond-shape holes in the bracket correspond to the center of the mount.

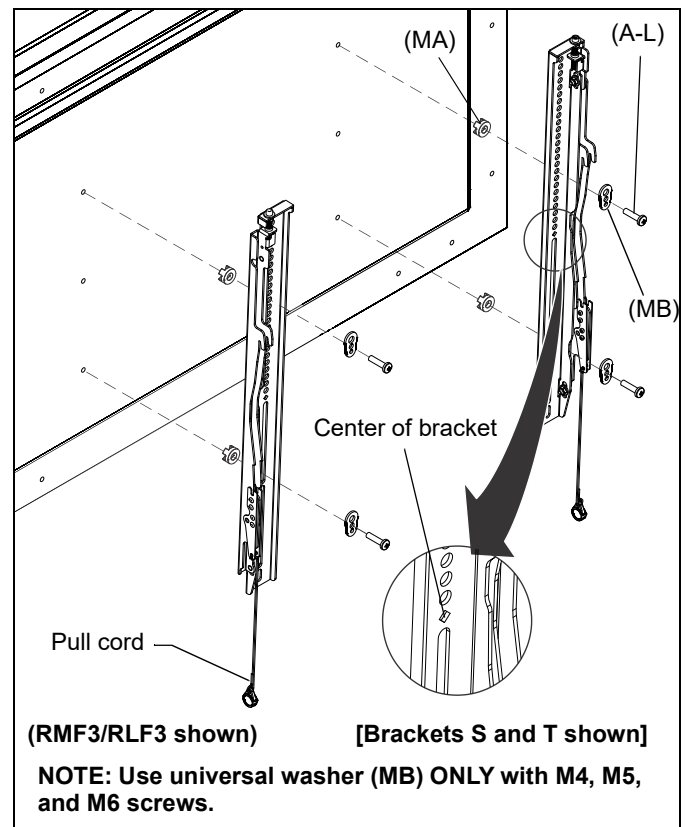


Figure 9



WARNING: IMPROPER INSTALLATION CAN LEAD TO DISPLAY FALLING CAUSING SERIOUS PERSONAL INJURY OR DAMAGE TO EQUIPMENT!



WARNING: Using screws of improper size may damage your display. Properly sized screws will easily and completely thread into display mounting holes. If spacers are required, be sure to use longer screws of the same diameter.

- Select correct screws, nesting spacers (if necessary) and universal washers (if required) from the hardware bag (A-L) and attach brackets to back of screen. (See Figure 9)

IMPORTANT ! : The M8 screws do **NOT** require a washer. Use the universal washer (MB) only with M4, M5, and M6 screws.

NOTE: The nesting spacers (MA) may be used separately, or put two together in different configurations to create different size spacers. (See Figure 10)

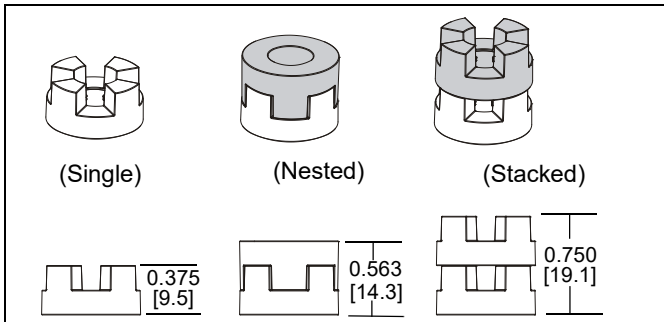


Figure 10

Switching Interface Brackets (Optional)

If an installation situation makes adjusting the location of interface brackets necessary, there are several options.

- The wall brackets may be adjusted side to side at the point of attachment. (See Figure 11)
- The location of the left and right interface brackets (S and T or U and V) may be switched, with the knobs on the RMT3/RLT3 interface brackets (U and V) facing the inside of the mount. (See Figure 11)

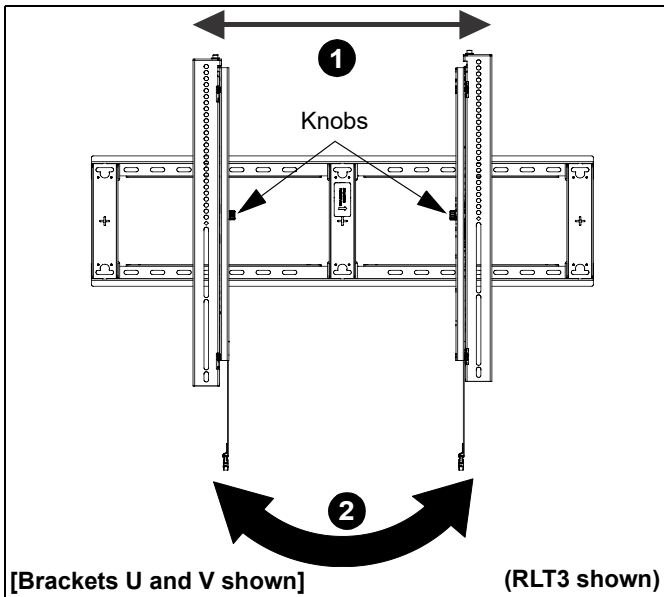


Figure 11

- If necessary, the tilt interface bracket knobs may be switched to allow the interface brackets (U and V) to be reversed. (See Figure 12)

- Remove display from mount.
- Remove interface brackets from display.
- Hold the right interface bracket horizontally, tightly gripping it so that spacers do not move.
- Remove the knob and screw.
- Replace the knob and screw in the opposite order, with the knob on the inside of the bracket.
- Switch the right interface bracket to the left side of the wall mount.

NOTE: Make sure the spacers on the inside of the interface brackets remain in place when removing and replacing the interface bracket knobs

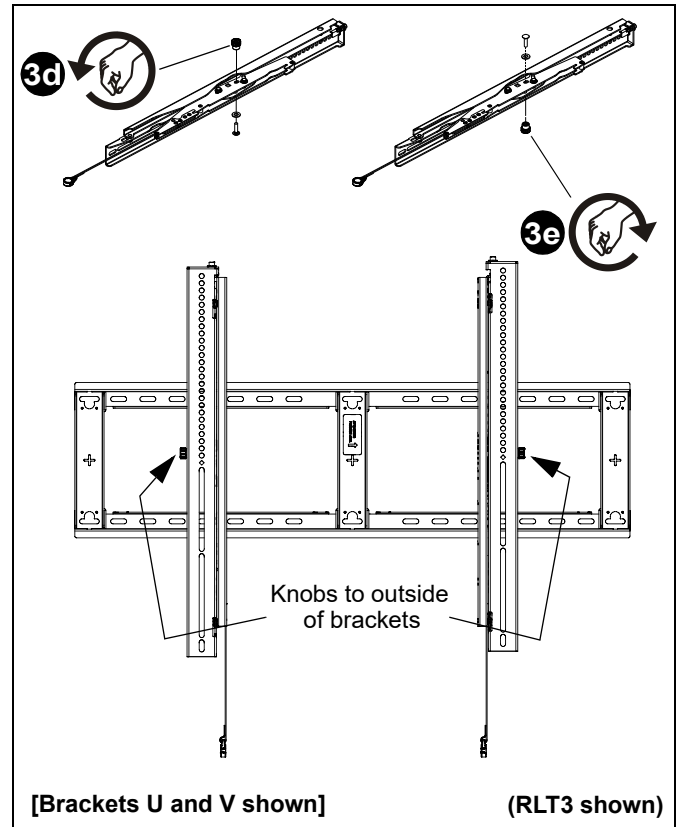


Figure 12

Attaching Screen to Wall Mount

NOTE: NEVER place both interface brackets (S and T or U and V) to one side of the wall mount center line! (See Figure 13)

NOTE: Do NOT allow both interface brackets (S and T or U and V) to be located on same side of wall bracket. (See Figure 13)

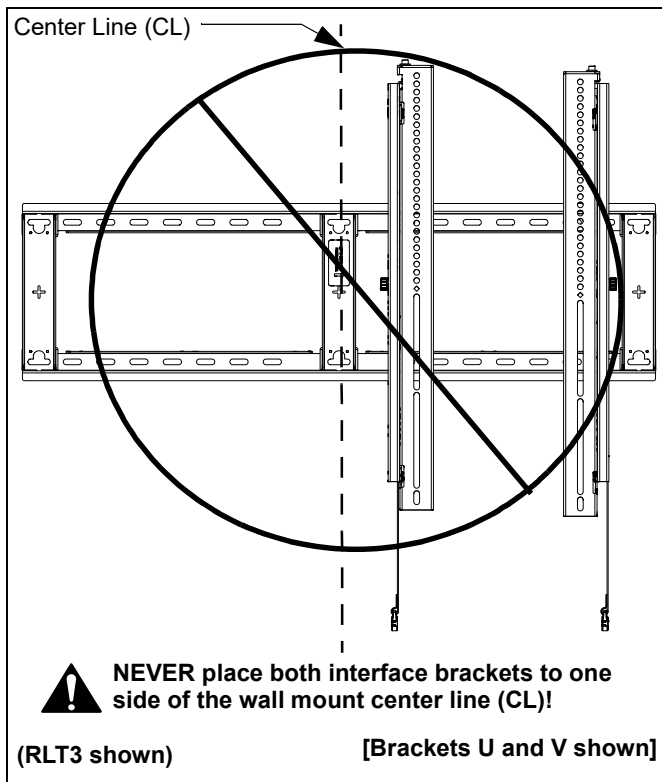


Figure 13

1. Hang screen onto the top rail of the mount (W/X). (See Figure 14)
 - **RMF3/RLF3:** Hang top hook of interface brackets (S and T) onto the top rail of the mount (W/X). (See Figure 14)
 - **RMT3/RLT3:** Hang top hook of interface brackets (U and V) onto the top rail of the mount (W/X). (See Figure 14)

NOTE: The screen initially installs into the "service mode" to allow easy cable access.

2. Adjust screen and rails to desired viewing position.
3. Route cables between wall and rails.



CAUTION: PINCH POINTS! Keep fingers, hands and cables out of pinch point areas.

4. Pull downward on the pull cords and swing inward toward wall, latching interface brackets to lower rail and fastening bottom of screen to the mount. (See Figure 14)
5. Attach end of pull cord (a magnet) to mount so it does not extend beyond bottom of screen. (See Figure 14)

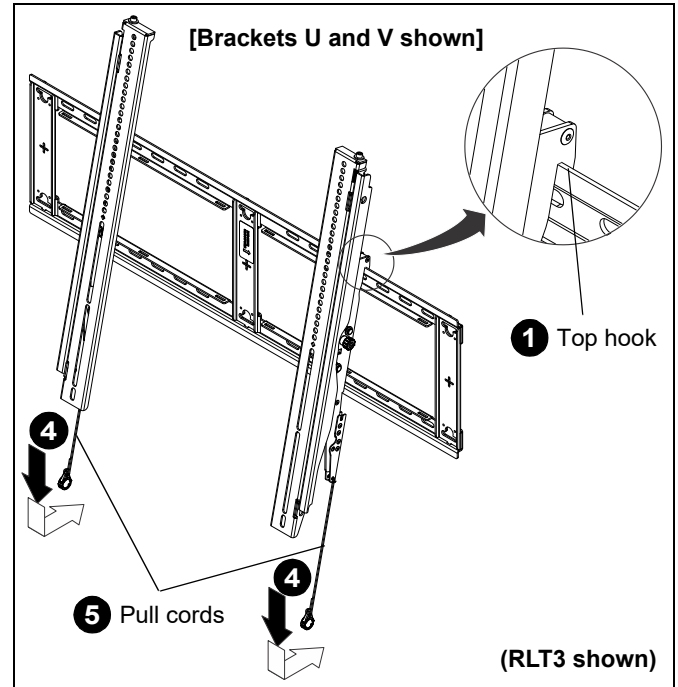


Figure 14

Adjustments

Horizontal adjustment

1. The mount wall brackets may be adjusted side to side at the point of attachment. (See Figure 15)

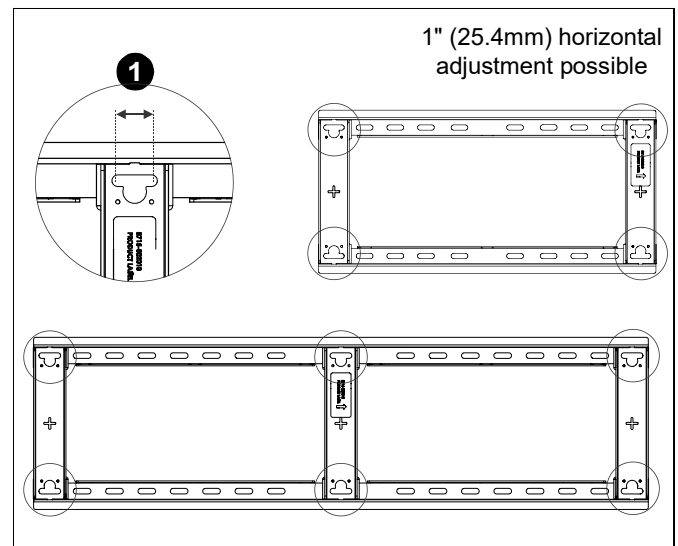


Figure 15

2. The screen may also be adjusted along rails side to side.

NOTE: NEVER place both interface brackets (S and T or U and V) to one side of the wall mount center line! (See Figure 13)

NOTE: Do NOT allow both interface brackets (S and T or U and V) to be located on same side of wall bracket. (See Figure 13)

Tilt (RMT3/RLT3 Only)

The interface brackets (U and V) allow from -2° to 12° tilt, and can be locked at 0°, 6° and 12°.

1. Loosen the interface bracket knob.
2. Adjust tilt as required. (See Figure 16)
3. The tilt may be locked at 0°, 6° or 12° using one 1/4"-20 x 1" bolt (Z) and one 1/4"-20 nut (Y) per interface bracket. (See Figure 16)
4. Tighten interface bracket knob.

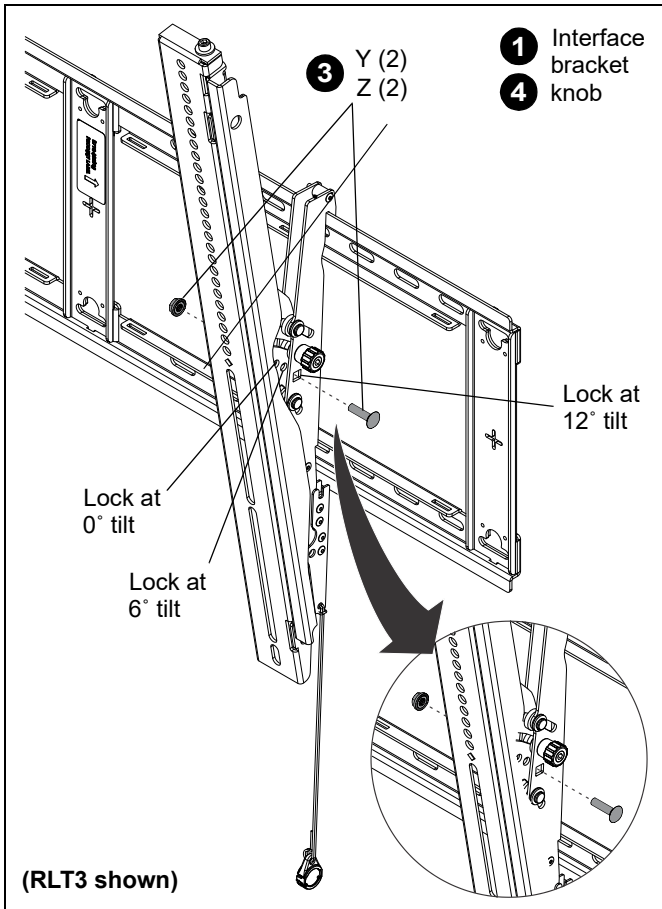


Figure 16

Locking Mount (Optional)

1. Add padlock (not included) to interface bracket to complete security. (See Figure 17)

NOTE: The padlock maximum shackle diameter is 5/16" (7.9 mm).

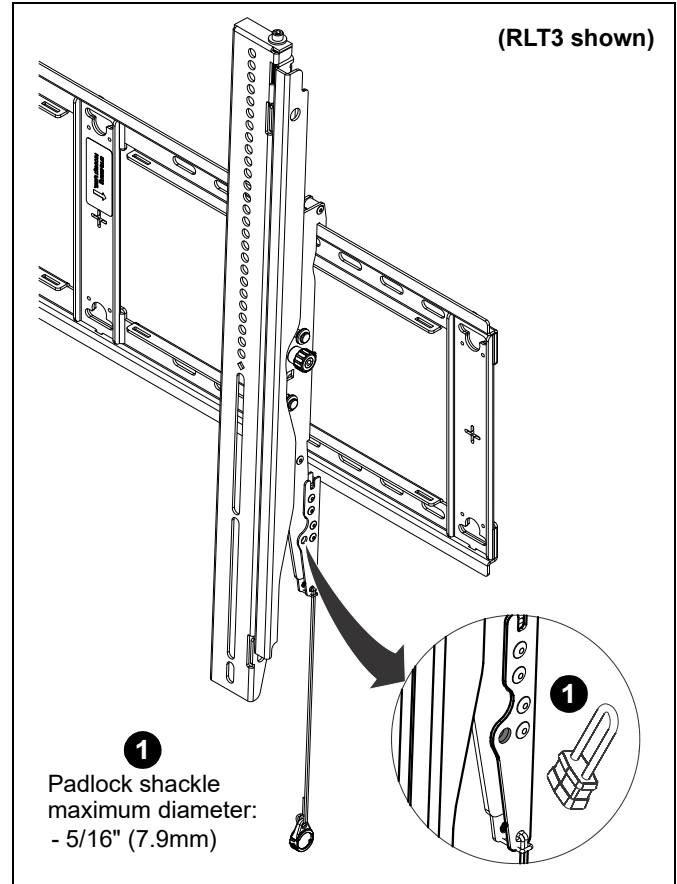


Figure 17

Post-Installation Leveling

1. If required, adjust level of monitor by turning set screws on top of each interface bracket. Turn screws clockwise to lower the level and counter-clockwise to raise the level. (See Figure 18)

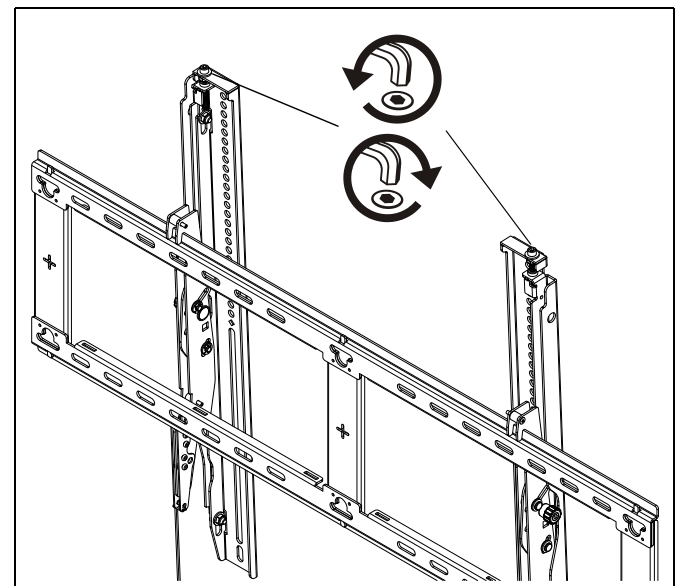


Figure 18



A brand of  **legrand**

8800-003331 Rev00
©2021 Legrand | AV
www.legrandav.com
12/2021

USA/International	A 6436 City West Parkway, Eden Prairie, MN 55344
	P 800.582.6480 / 952.225.6000
	F 877.894.6918 / 952.894.6918
Europe	A Franklinstraat 14, 6003 DK Weert, Netherlands
	P +31 (0) 495 580 852
	F +31 (0) 495 580 845
Asia Pacific	A Office No. 918 on 9/F, Shatin Galleria 18-24 Shan Mei Street Fotan, Shatin, Hong Kong
	P 852 2145 4099
	F 852 2145 4477

