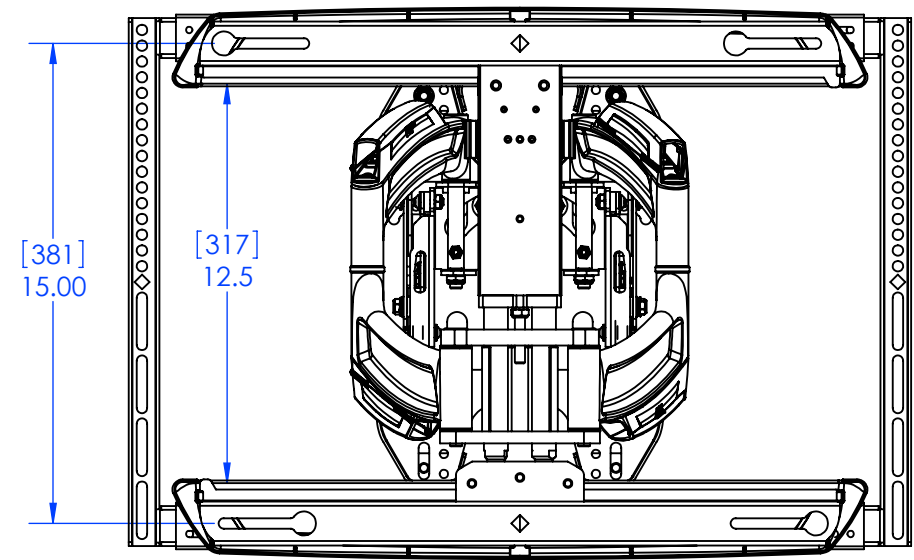
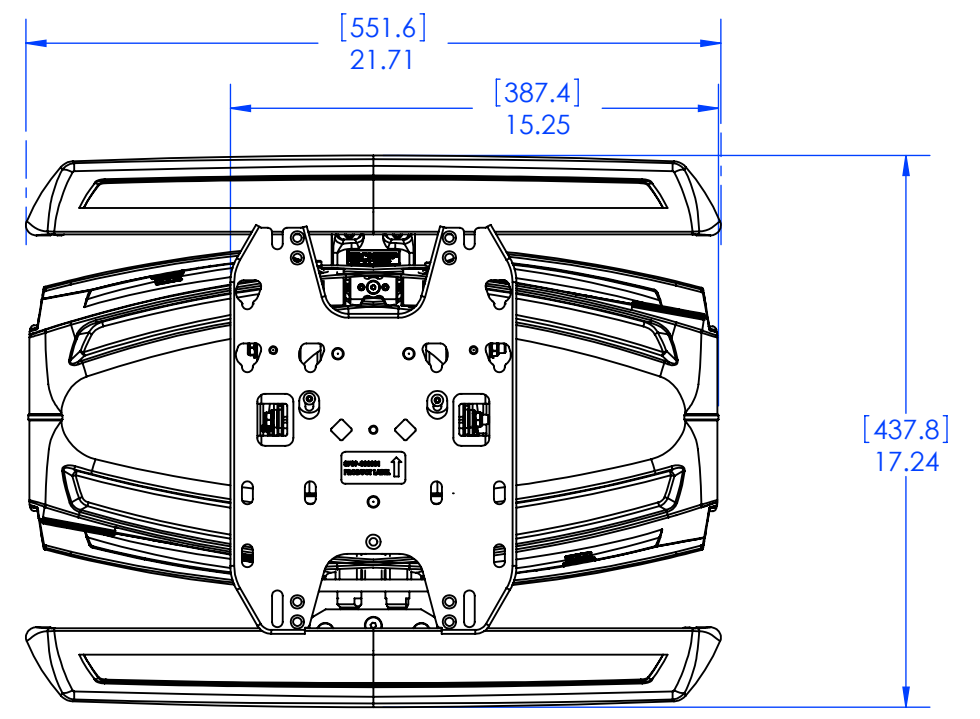
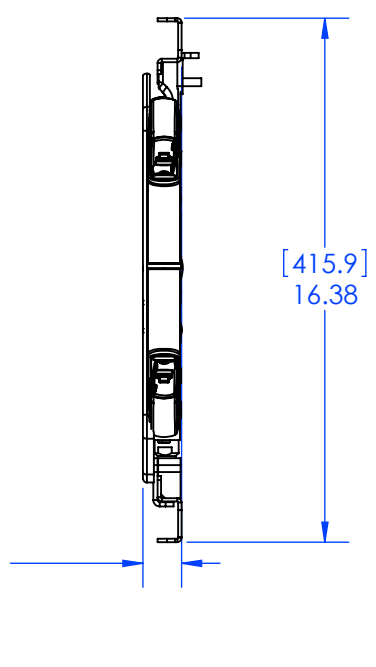
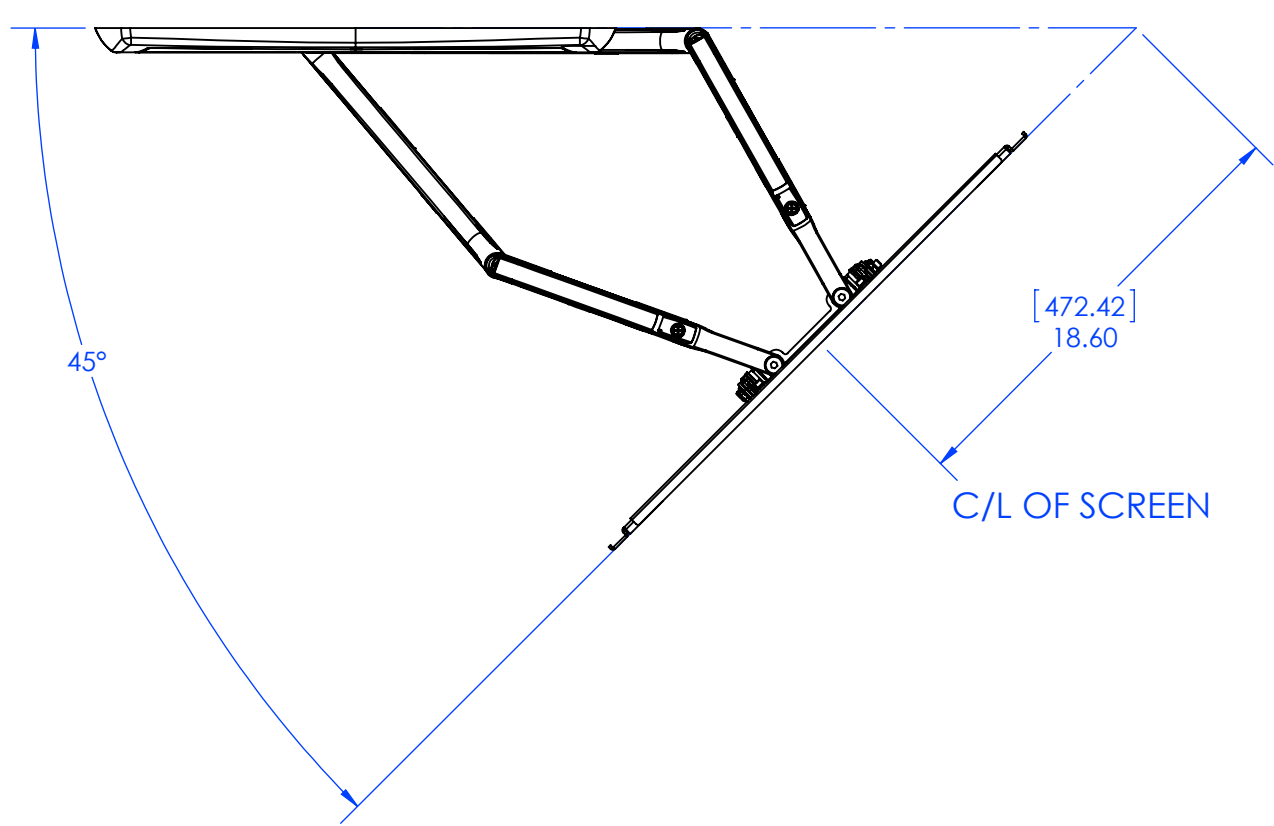
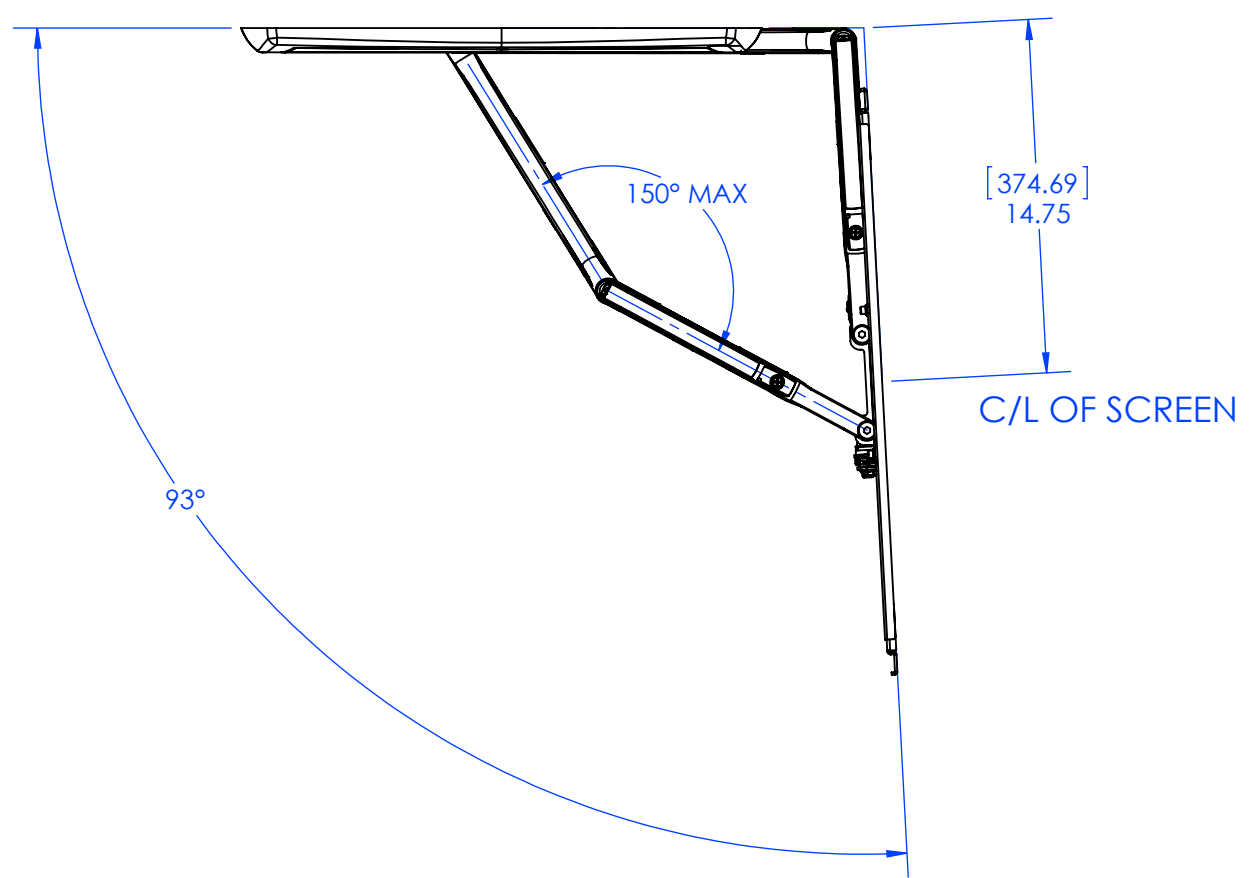


**MAXIMUM WEIGHT CAPACITY
75 LBS. 34.1 KGS.**



THE INFORMATION AND DESIGNS CONTAINED IN THIS DRAWING ARE CONFIDENTIAL AND THE PROPRIETARY PROPERTY OF MILESTONE AV TECHNOLOGIES NEITHER THIS DESIGN NOR ANY INFORMATION CONTAINED IN THIS DRAWING MAY BE REPRODUCED OR DISCLOSED TO OTHERS WITHOUT THE EXPRESS WRITTEN CONSENT OF MILESTONE AV TECHNOLOGIES.

CAD GENERATED DRAWING, DO NOT MANUALLY UPDATE.			CHIEF	6436 CITY WEST PKWY EDEN PRAIRIE MN, 55344 PHONE: 866-977-3901 FAX: 877-894-6918	
DRAWN BY	MW	4/25/2012		DESCRIPTION TS325TU	
ENG APPROVAL			MODEL NO.		
MFG APPROVAL			REV. 01		
QA APPROVAL			SCALE 1:8		
SHEET 1 OF 2			SIZE B	DWG. NO. TECH-000040	



THE INFORMATION AND DESIGNS CONTAINED IN THIS DRAWING ARE CONFIDENTIAL AND THE PROPRIETARY PROPERTY OF MILESTONE AV TECHNOLOGIES NEITHER THIS DESIGN NOR ANY INFORMATION CONTAINED IN THIS DRAWING MAY BE REPRODUCED OR DISCLOSED TO OTHERS WITHOUT THE EXPRESS WRITTEN CONSENT OF MILESTONE AV TECHNOLOGIES.

CAD GENERATED DRAWING, DO NOT MANUALLY UPDATE.			6436 CITY WEST PKWY EDEN PRAIRIE MN, 55344 PHONE: 866-977-3901 FAX: 877-894-6918		
DRAWN BY	MW	4/25/2012			
ENG APPROVAL			DESCRIPTION		
MFG APPROVAL			TS325TU		
QA APPROVAL			MODEL NO.		
SHEET 2 OF 2		SCALE	SIZE	DWG. NO.	REV.
		1:8	B	TECH-000040	01