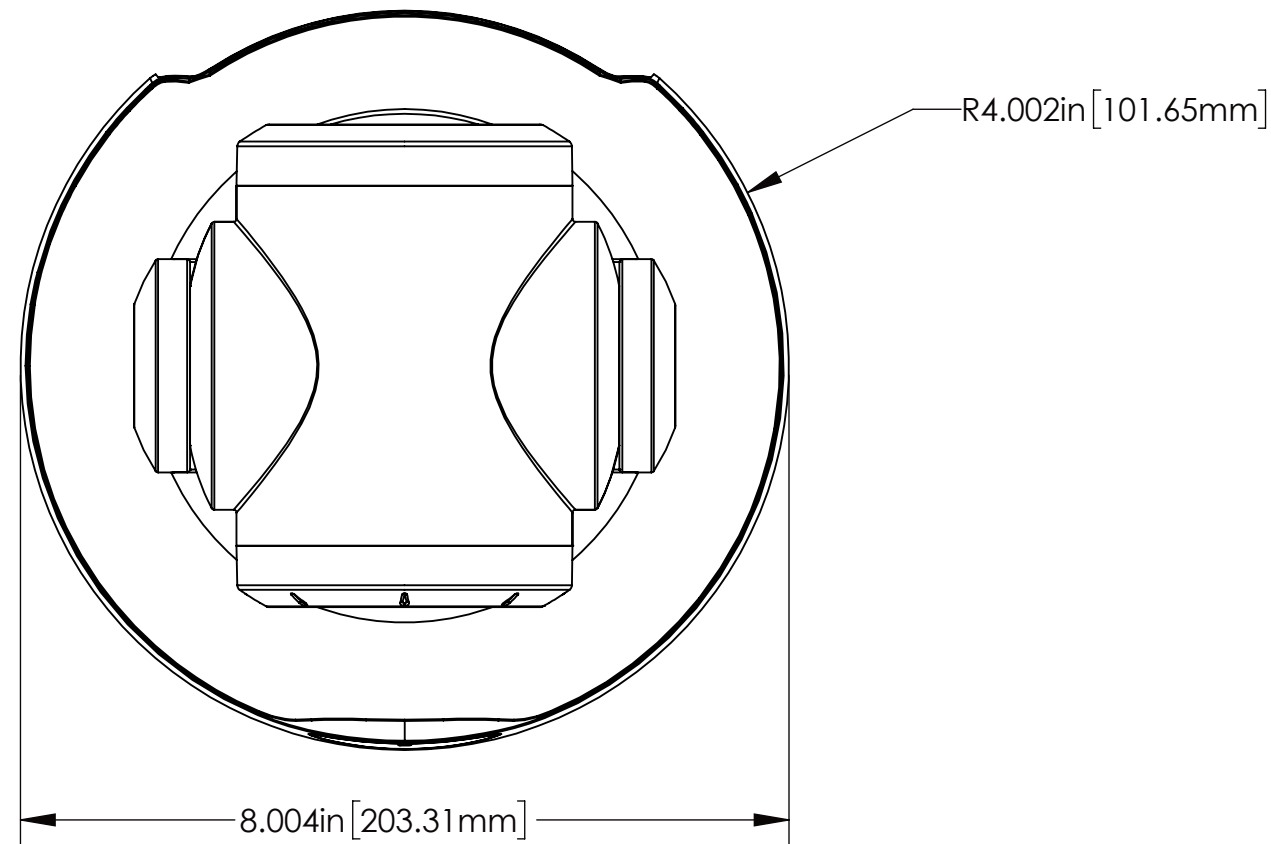
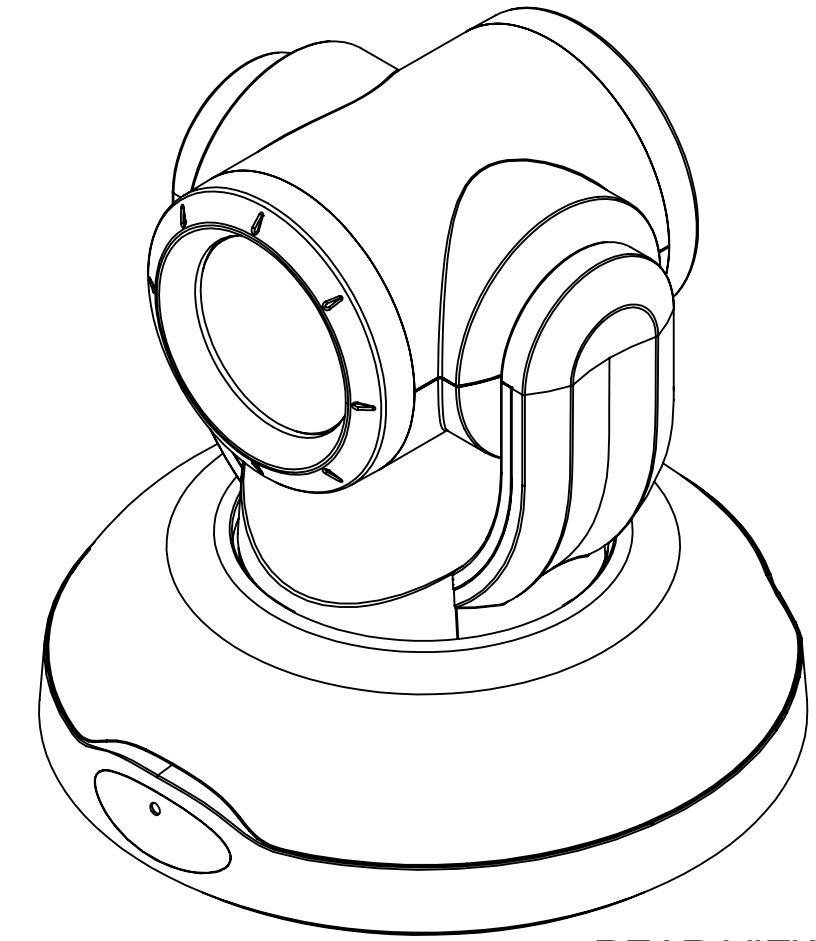


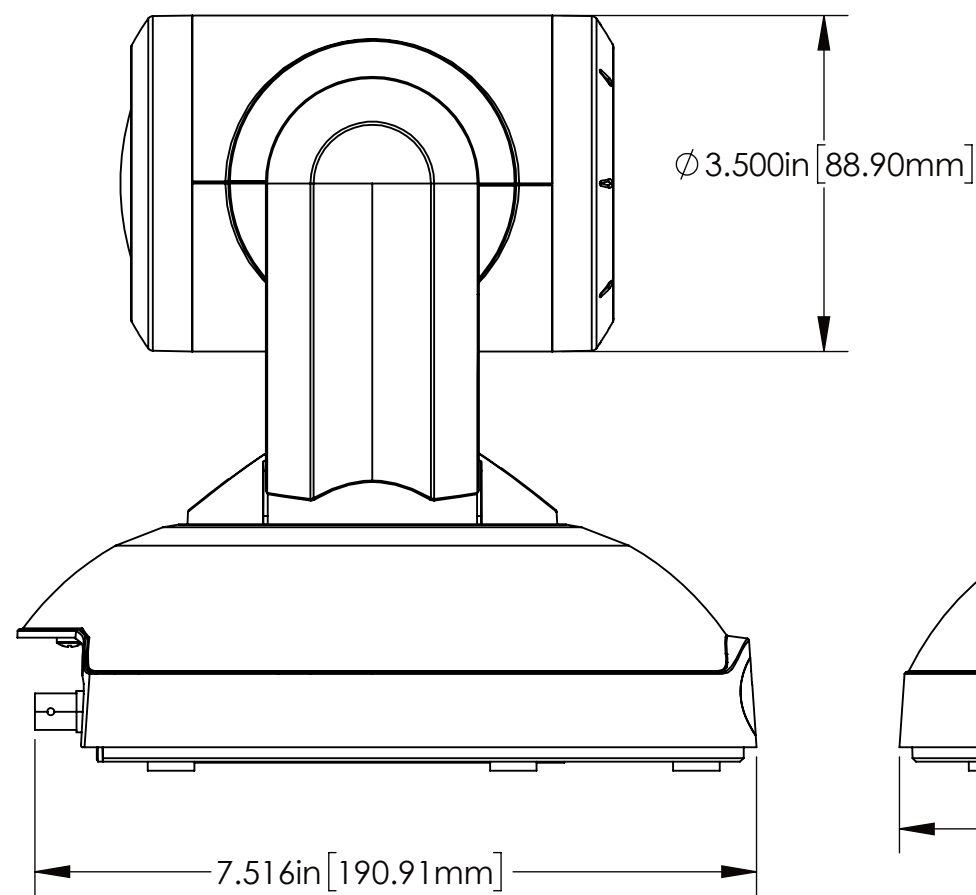
TOP VIEW



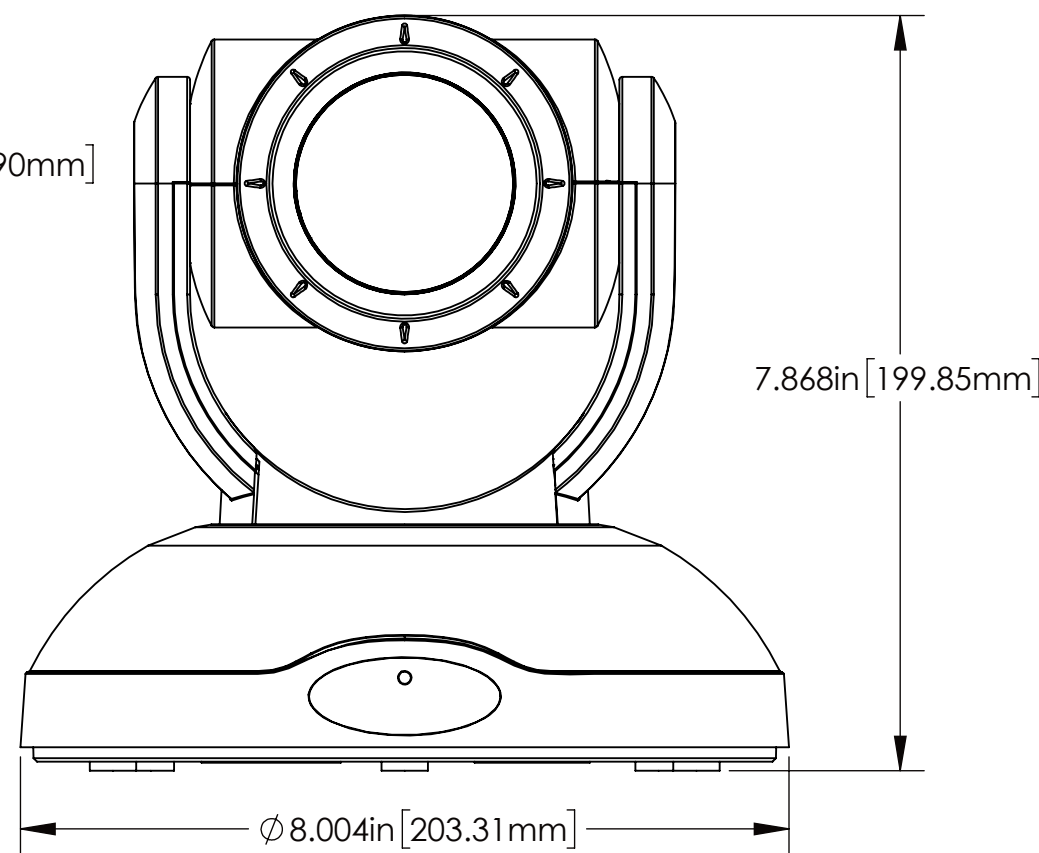
ISO VIEW



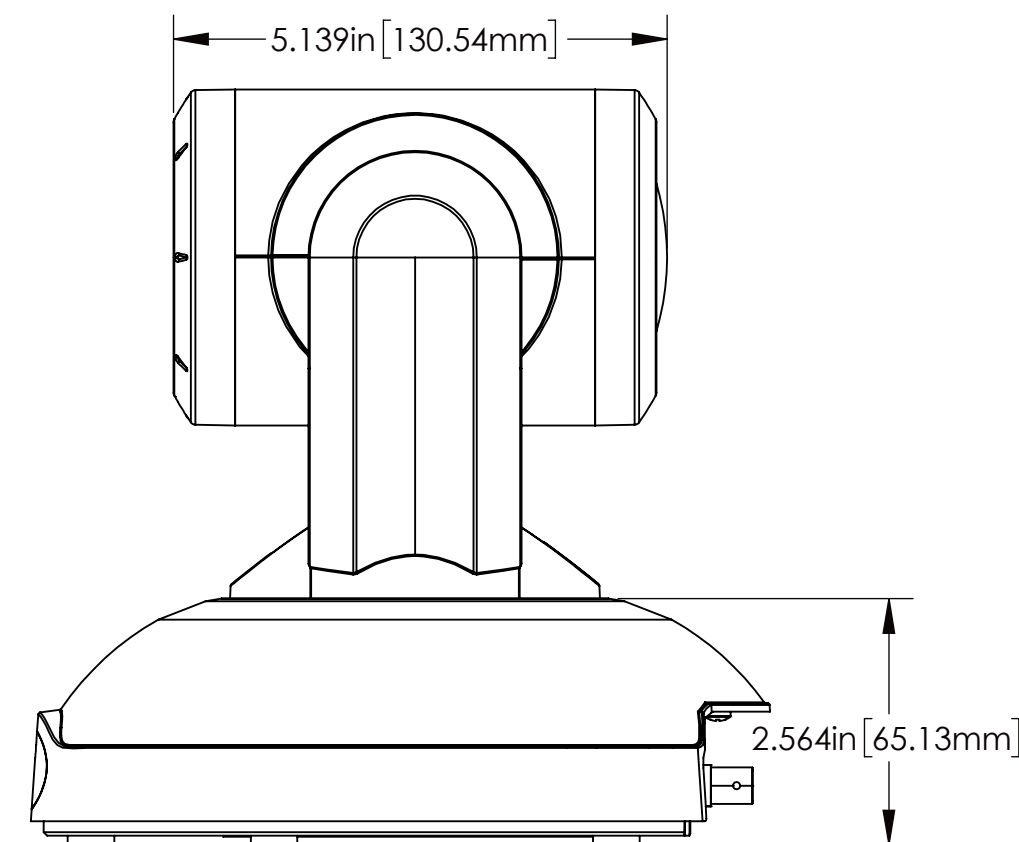
SIDE VIEW 1



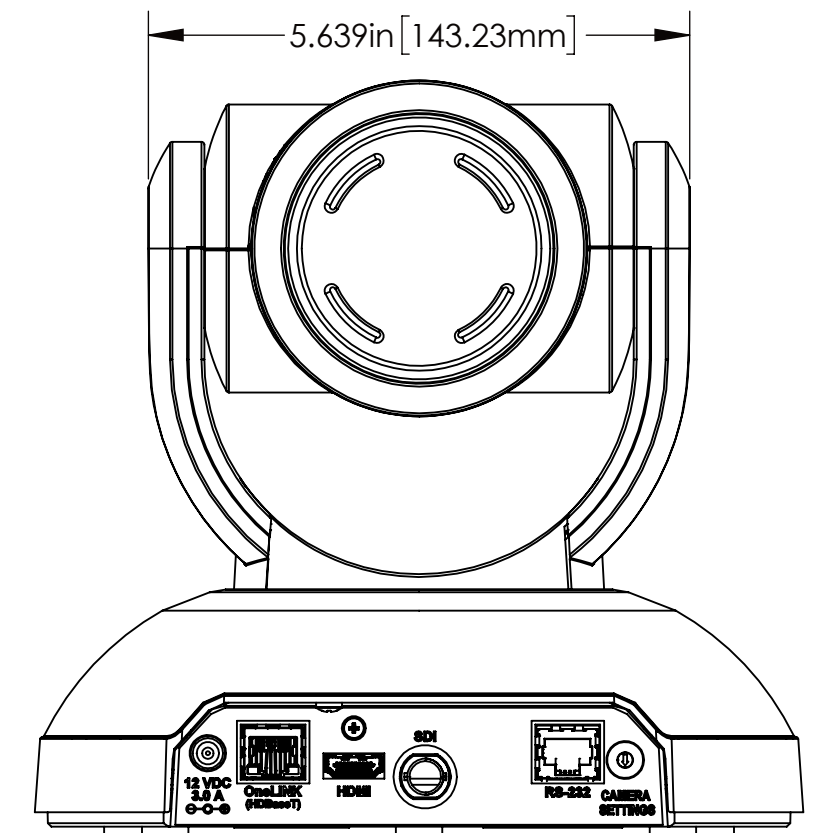
FRONT VIEW



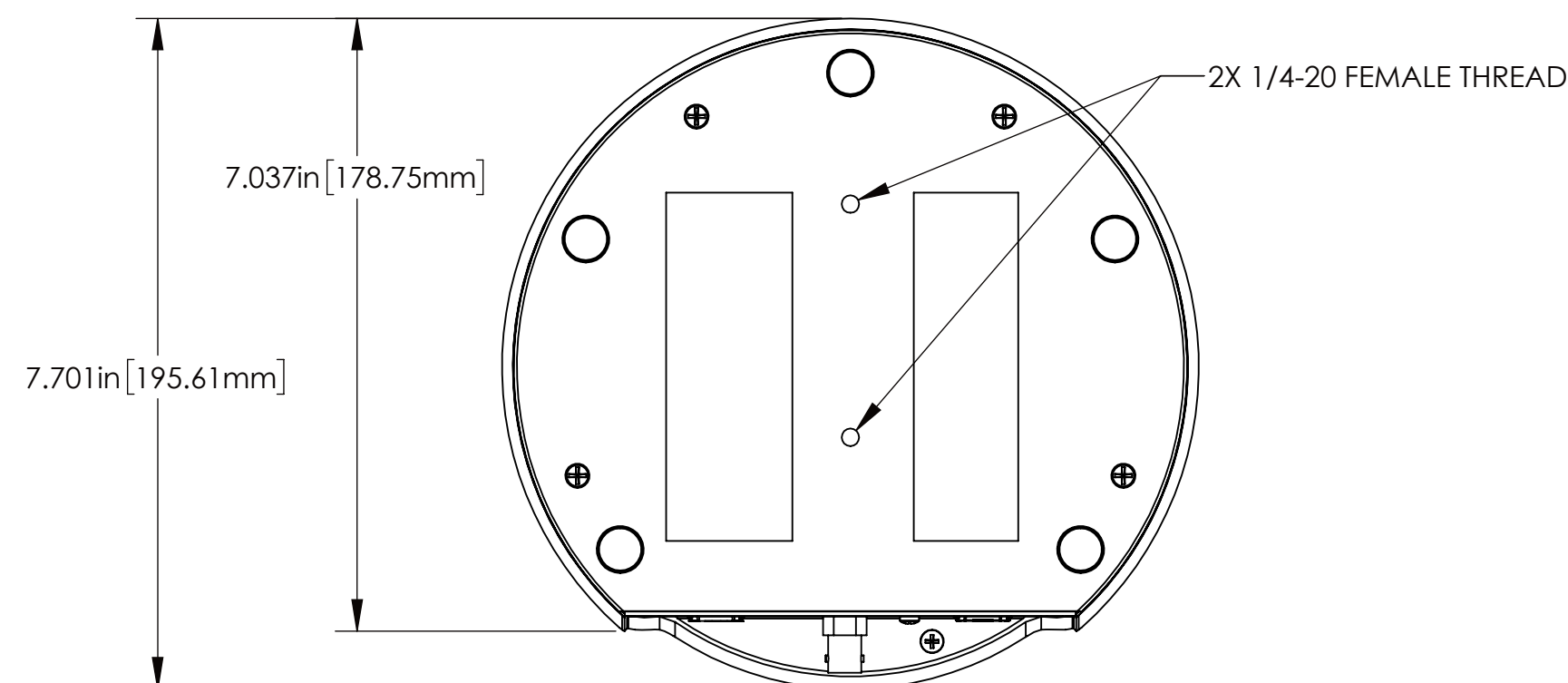
SIDE VIEW 2



REAR VIEW



BOTTOM VIEW



UNLESS OTHERWISE NOTED: DIMENSIONS ARE IN INCHES DIMENSIONAL LIMITS APPLY AFTER FINISH MACHINED SURFACES 125 EDGES & FILLETS R .005/.015 FRACTIONS ± 1/32 ANGLES ± 1° DEC. XX = ± .015 .XXX = ± .005 .XXXX = ± .0002		THIS DRAWING, INCLUDING ALL SUBJECT MATTERS INDICATED THEREON OR DERIVED THEREFROM, COMPRISES PROPRIETARY INFORMATION AND IS THE EXPRESS PROPERTY OF LEGRAND AV INC. EMPLOYMENT, REPRODUCTION OR DISSEMINATION OF THIS DRAWING, IN WHOLE OR IN PART, WITHOUT WRITTEN PERMISSION OF LEGRAND AV INC IS STRICTLY FORBIDDEN.	
<b>VADDIO</b> A brand of <b>Legrand</b>			
DRAWN WLF	CHECKED	APPROVED	DATE 9/20/22
MATERIAL VARIOUS		SIZE C	
FINISH N/A		SCALE 1:2	
TITLE ROBOSHOT 20 UHD		SHEET 1 OF 1	DRAWING NO. 998-9950-100 REV. A