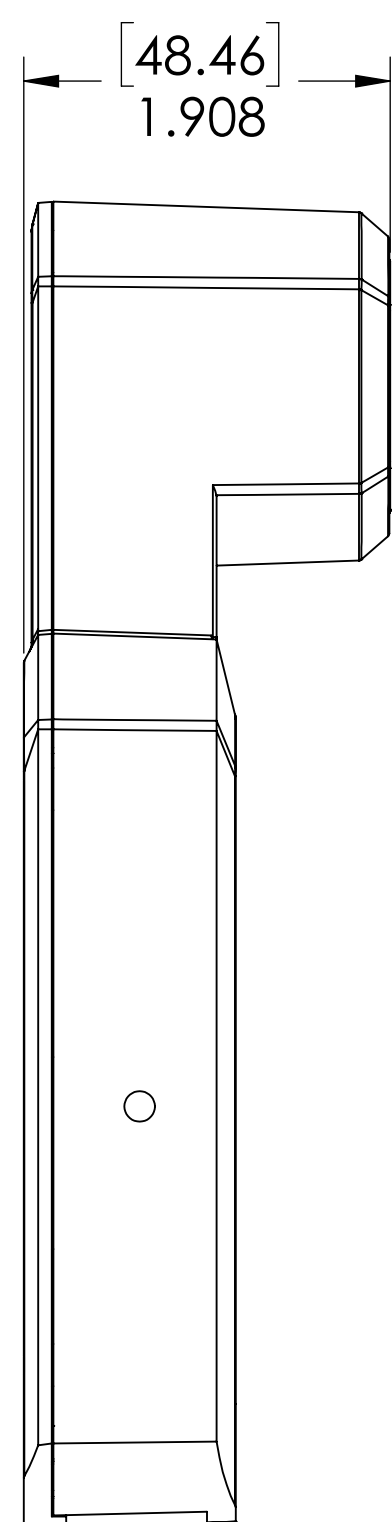
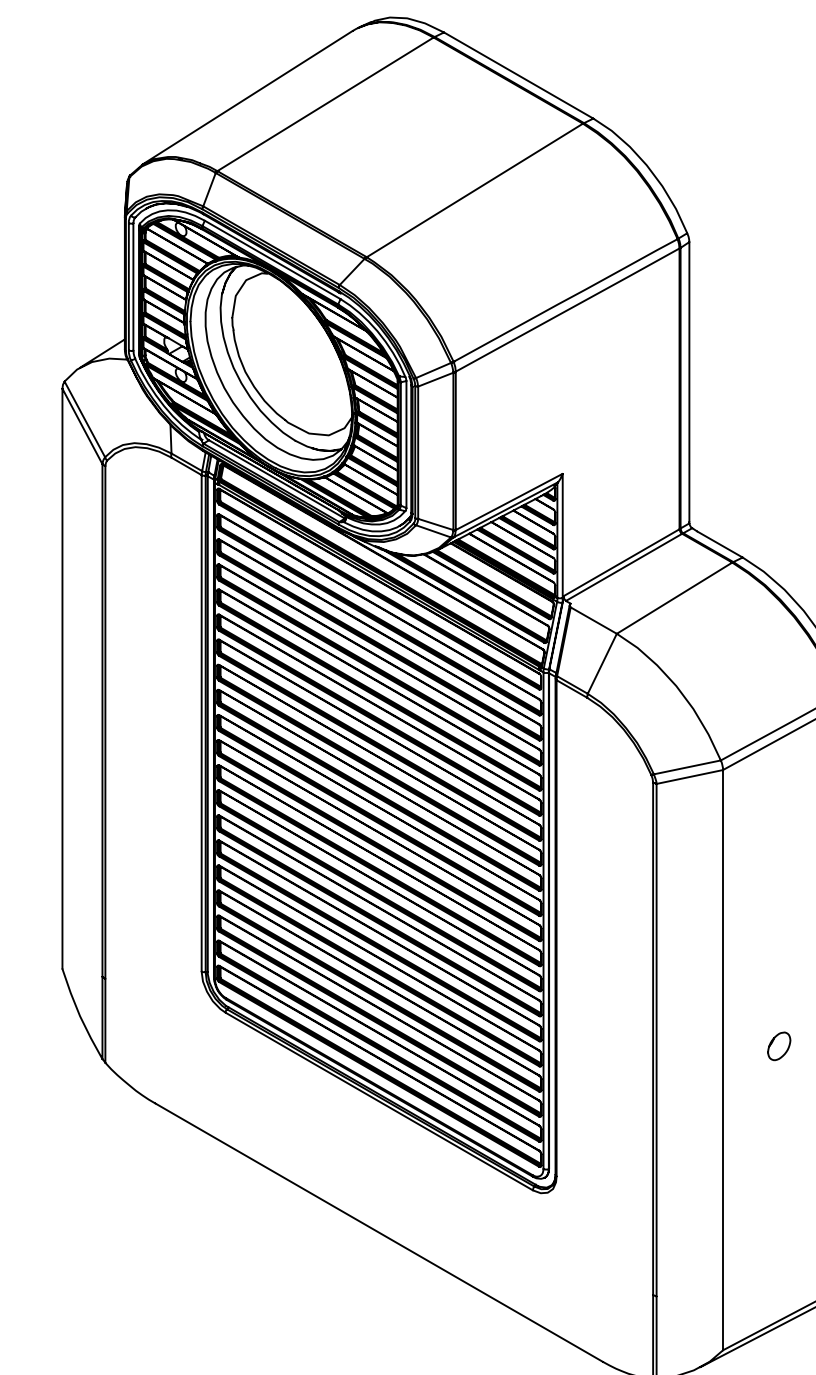
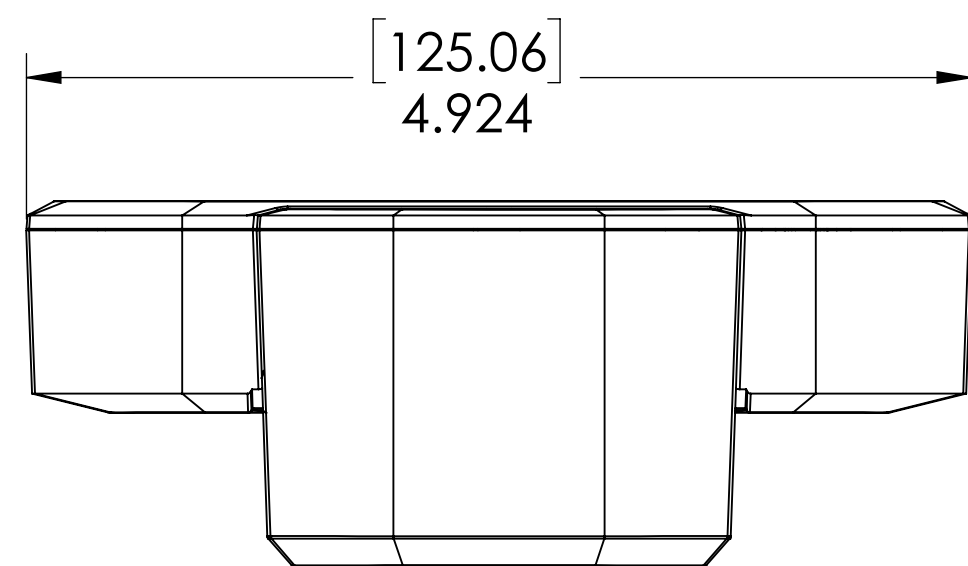
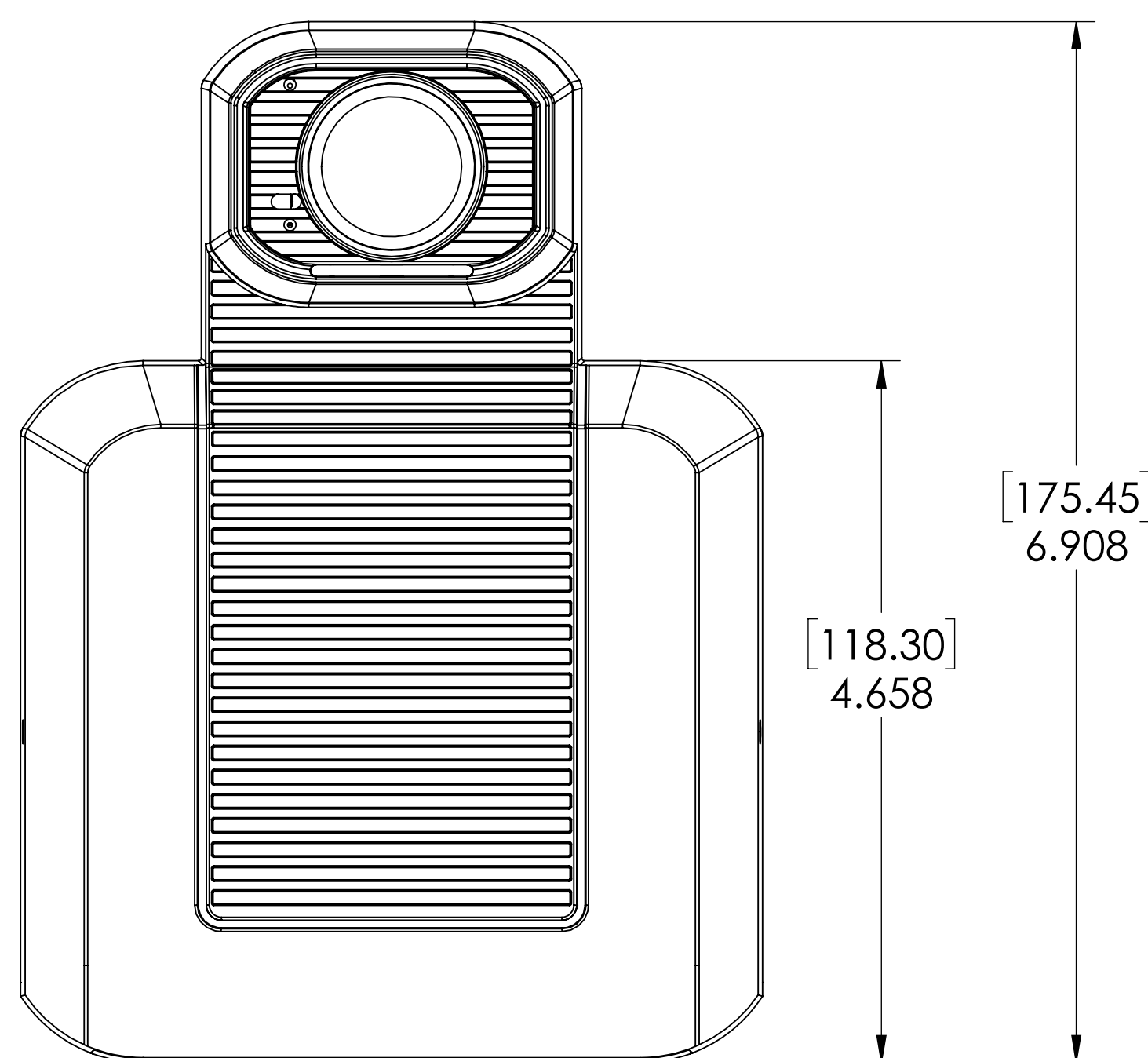


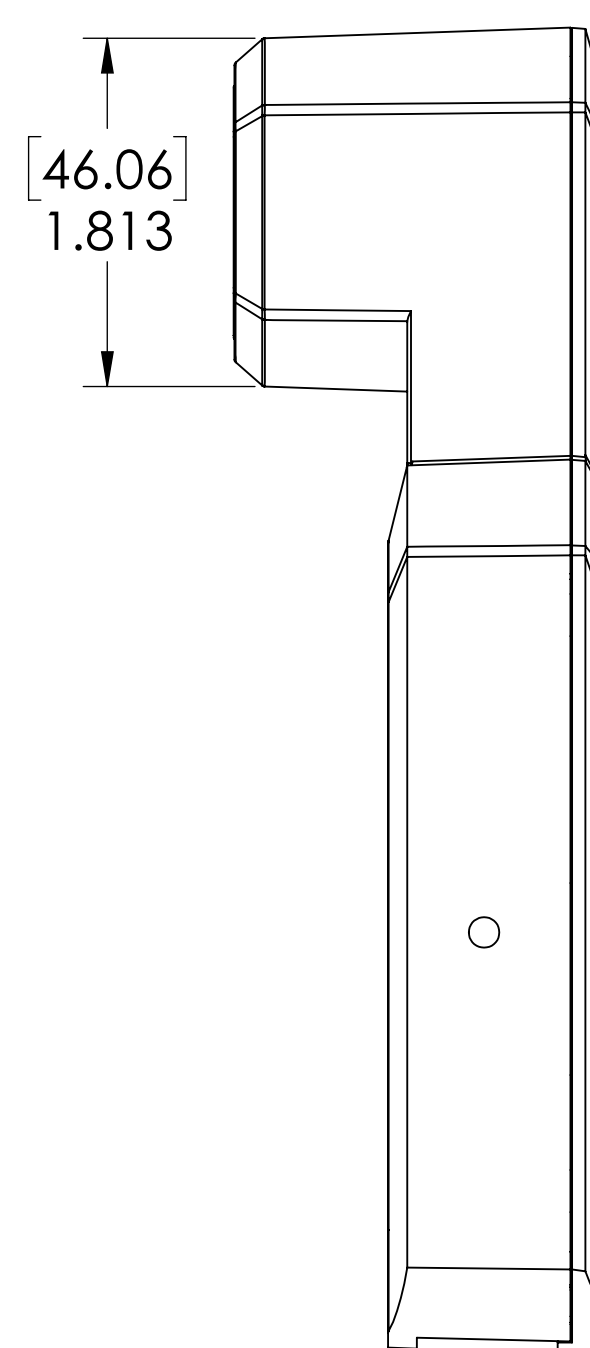
TOP VIEW



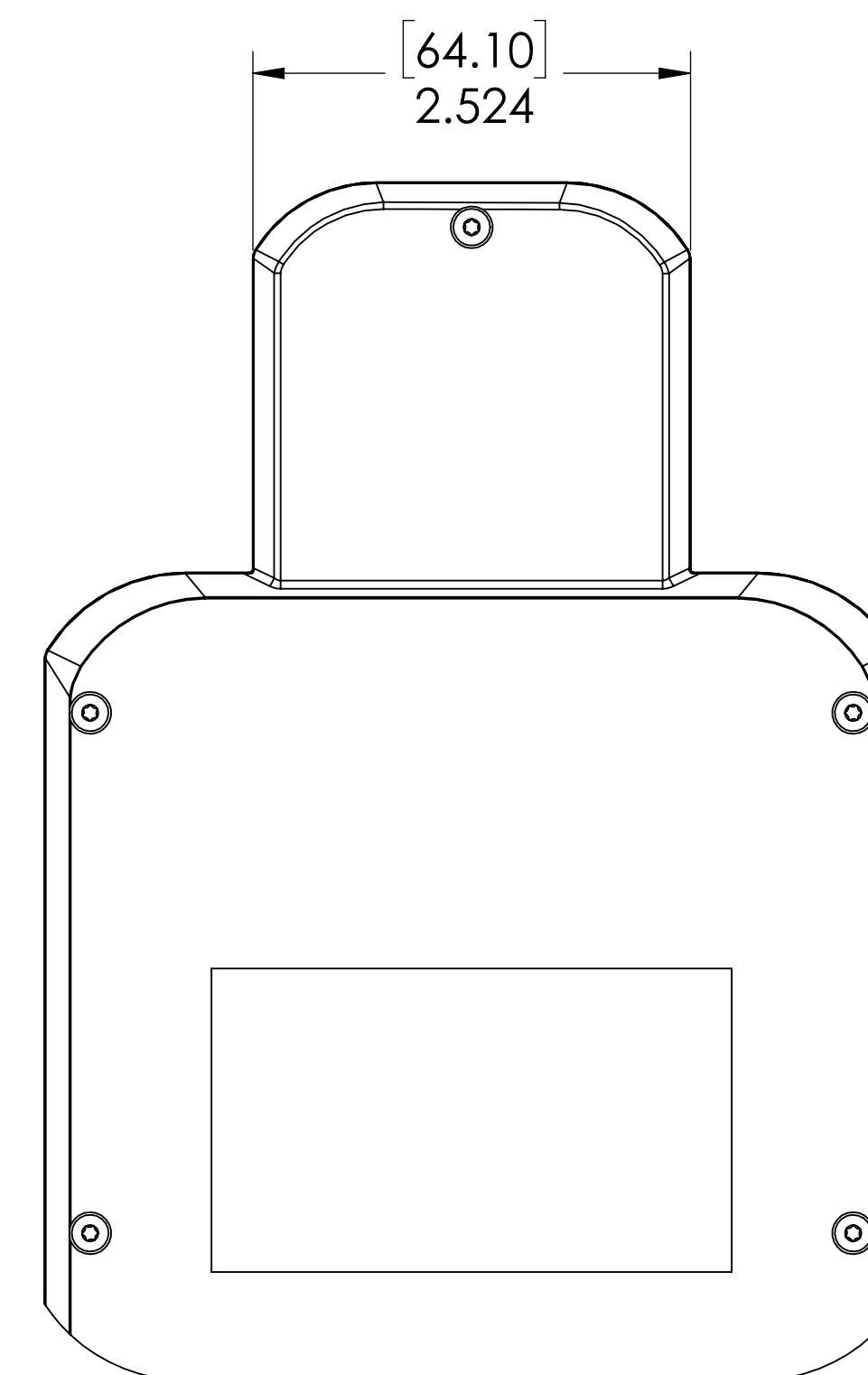
SIDE VIEW 1



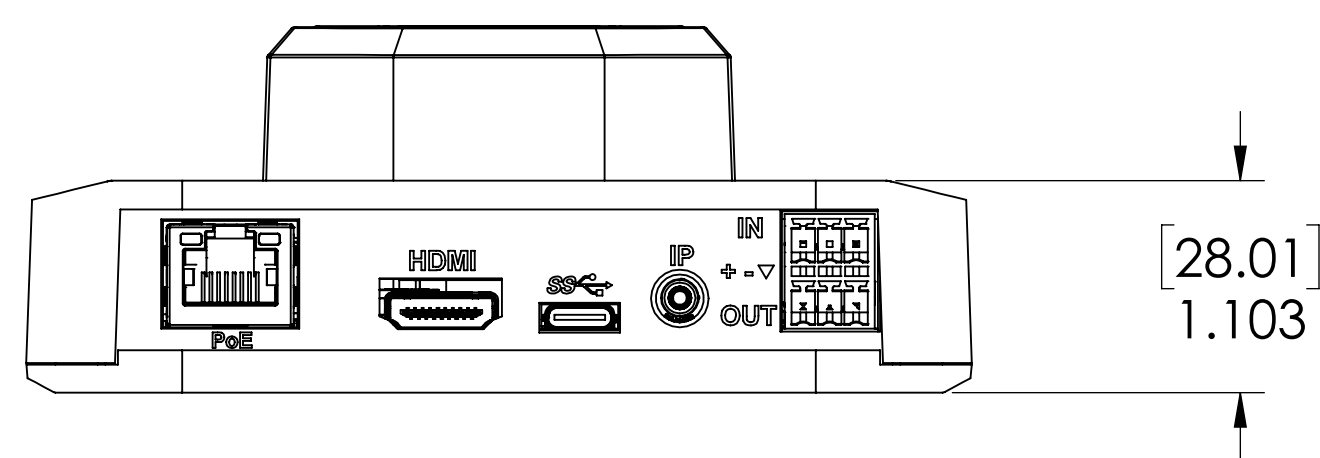
FRONT VIEW



SIDE VIEW 2



REAR VIEW



BOTTOM VIEW

UNLESS OTHERWISE NOTED: DIMENSIONS ARE IN INCHES DIMENSIONAL LIMITS APPLY AFTER FINISH		THIS DRAWING, INCLUDING ALL SUBJECT MATTERS INDICATED THEREON OR DERIVED THEREFROM, COMPREHENSIVE PROPRIETARY INFORMATION AND IS THE EXPRESS PROPERTY OF LEGRAND AV INC. EMPLOYMENT, REPRODUCTION OR DISSEMINATION OF THIS DRAWING, IN WHOLE OR IN PART, WITHOUT WRITTEN PERMISSION OF LEGRAND AV INC. IS STRICTLY FORBIDDEN.	
MACHINED SURFACES 125 EDGES & FILLETS R .005/.015			
FRACTIONS ± 1/32 ANGLES ± 1° DEC. XX = ± .015 XXX = ± .005 XXXX = ± .0002			
DRAWN CPM	CHECKED	APPROVED	DATE 8-24-2021
MATERIAL		SIZE D	
FINISH		SCALE 1:1	
TITLE CONFERENCEHOT ePTZ		SHEET 1 OF 1	DRAWING NO. 998-21050-000 REV. 01