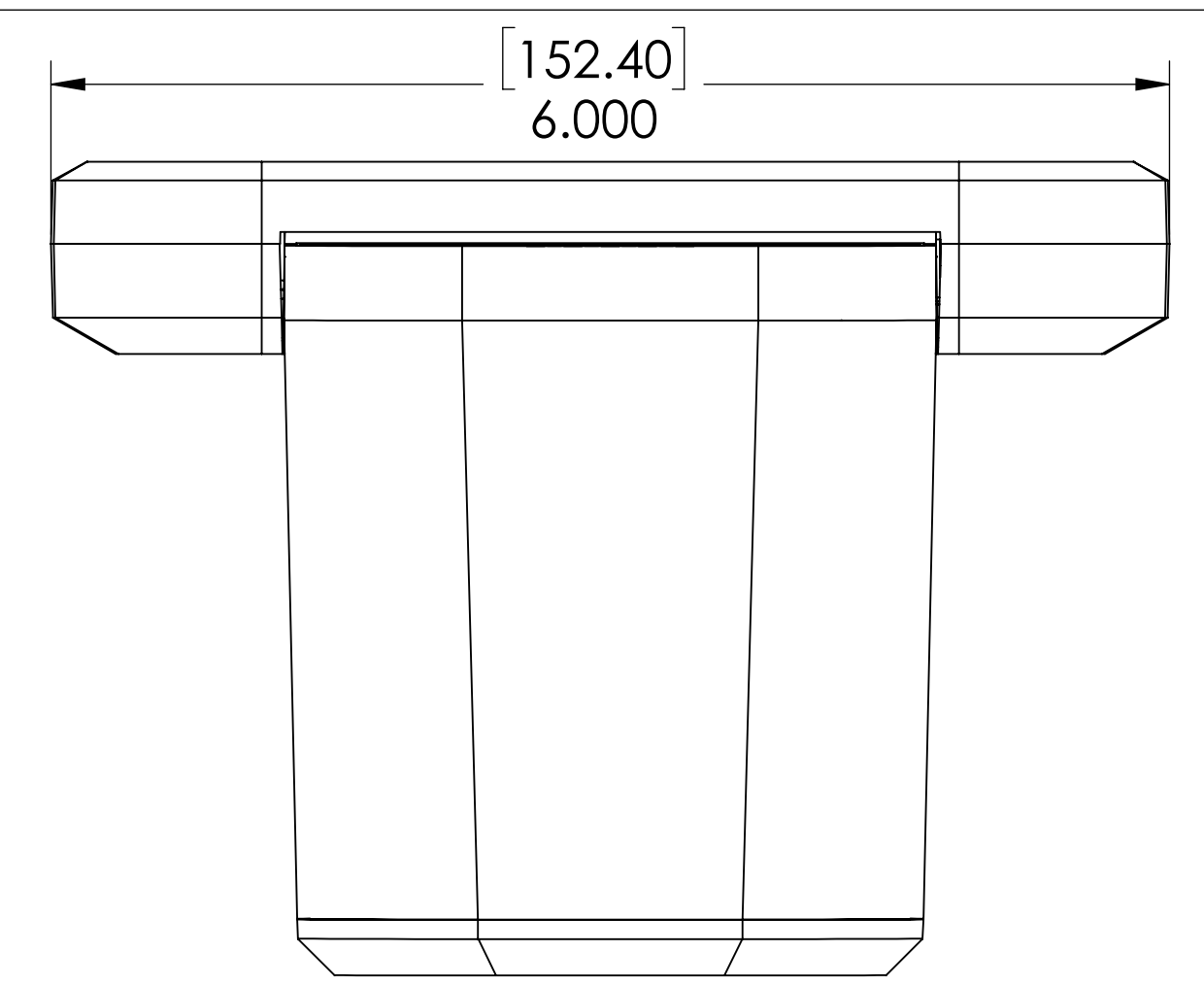
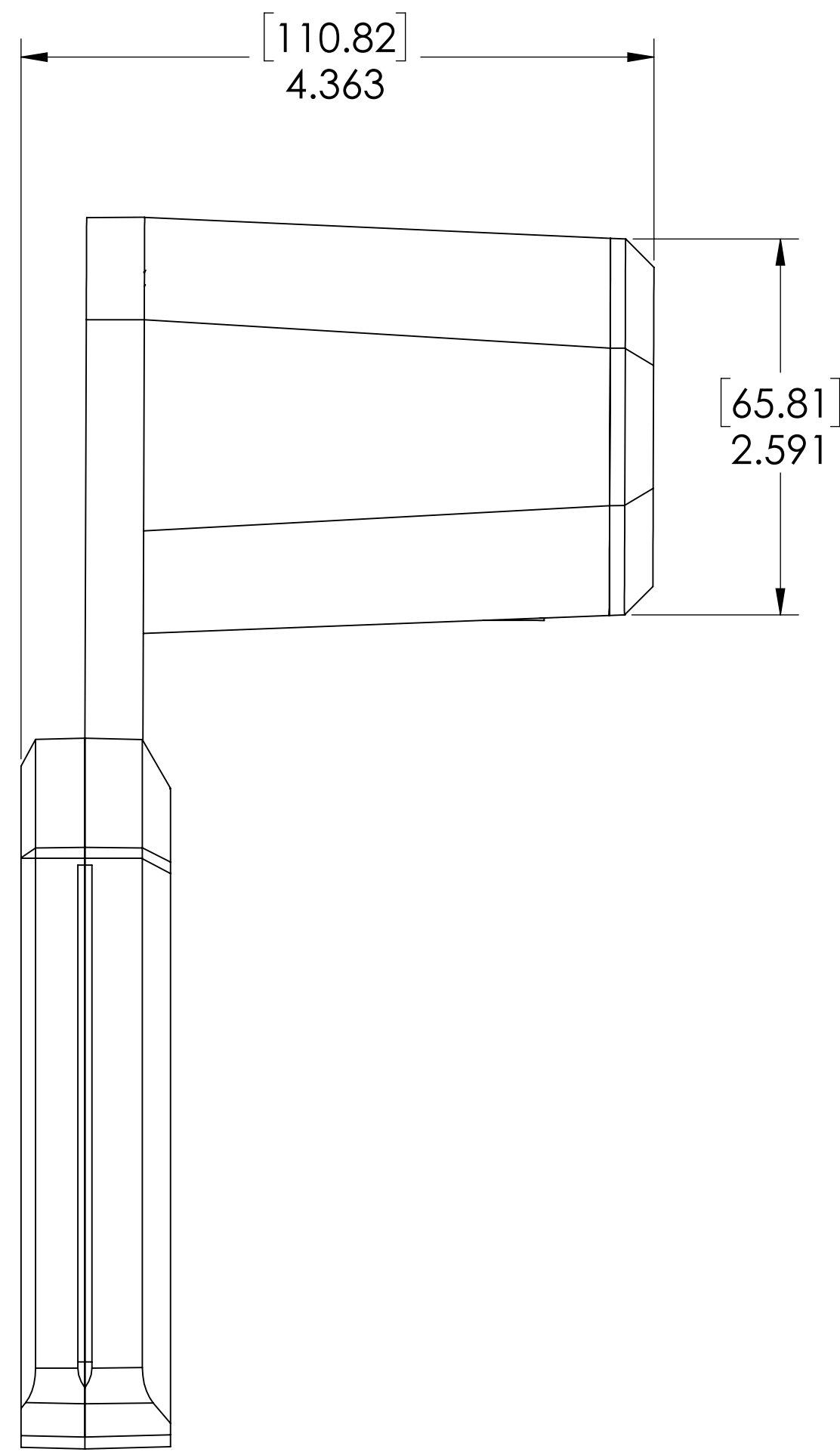
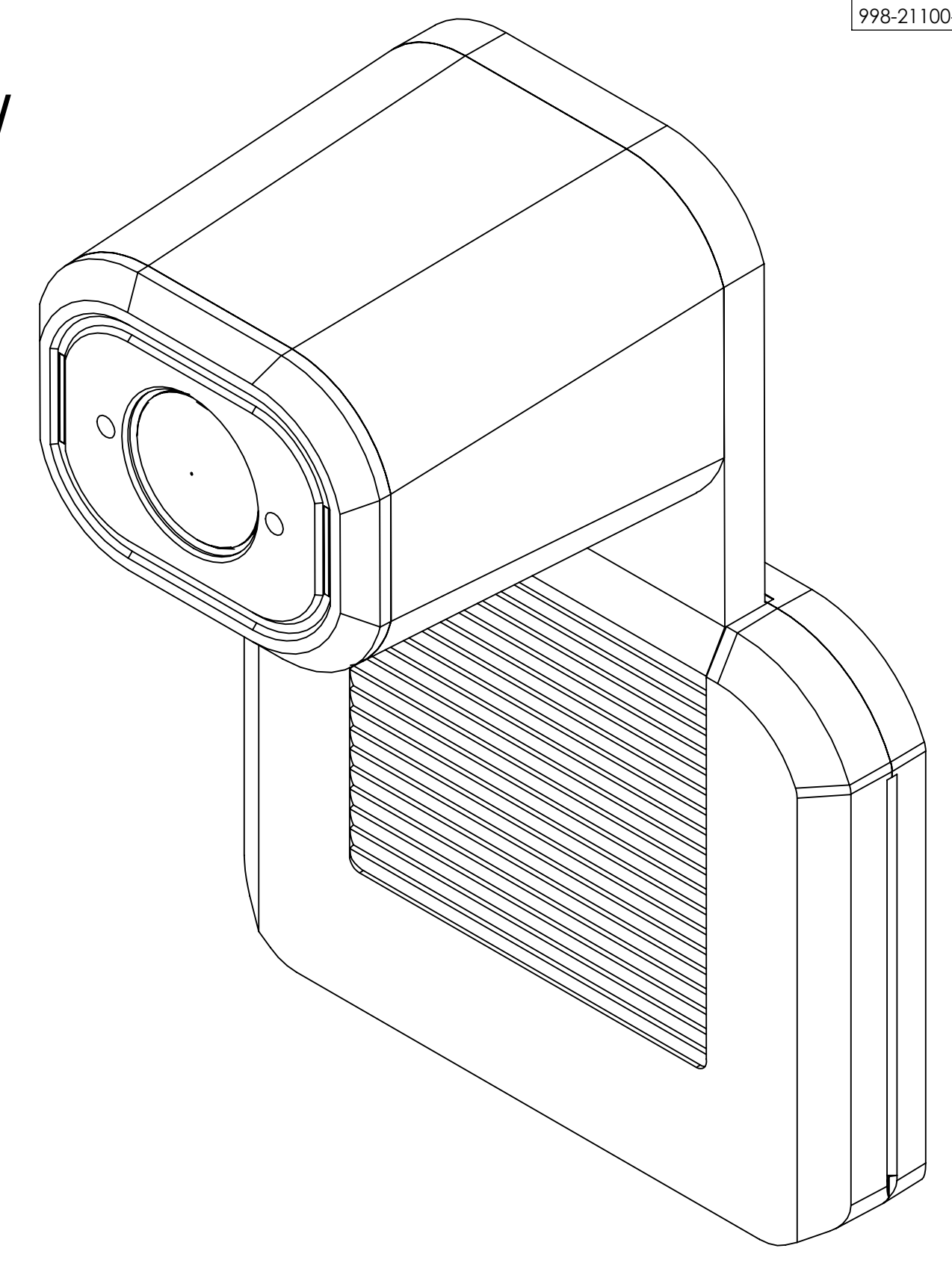


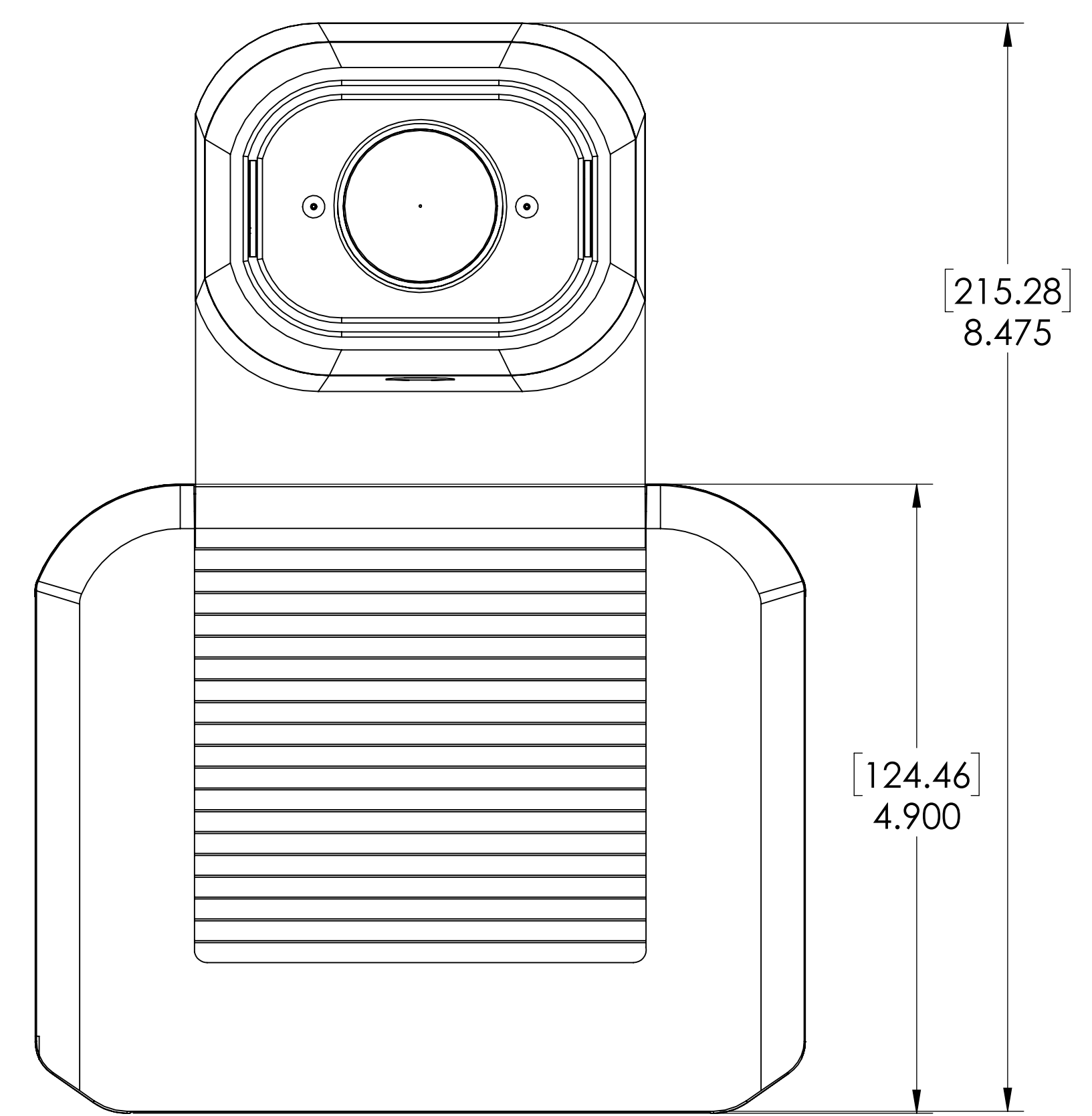
TOP VIEW



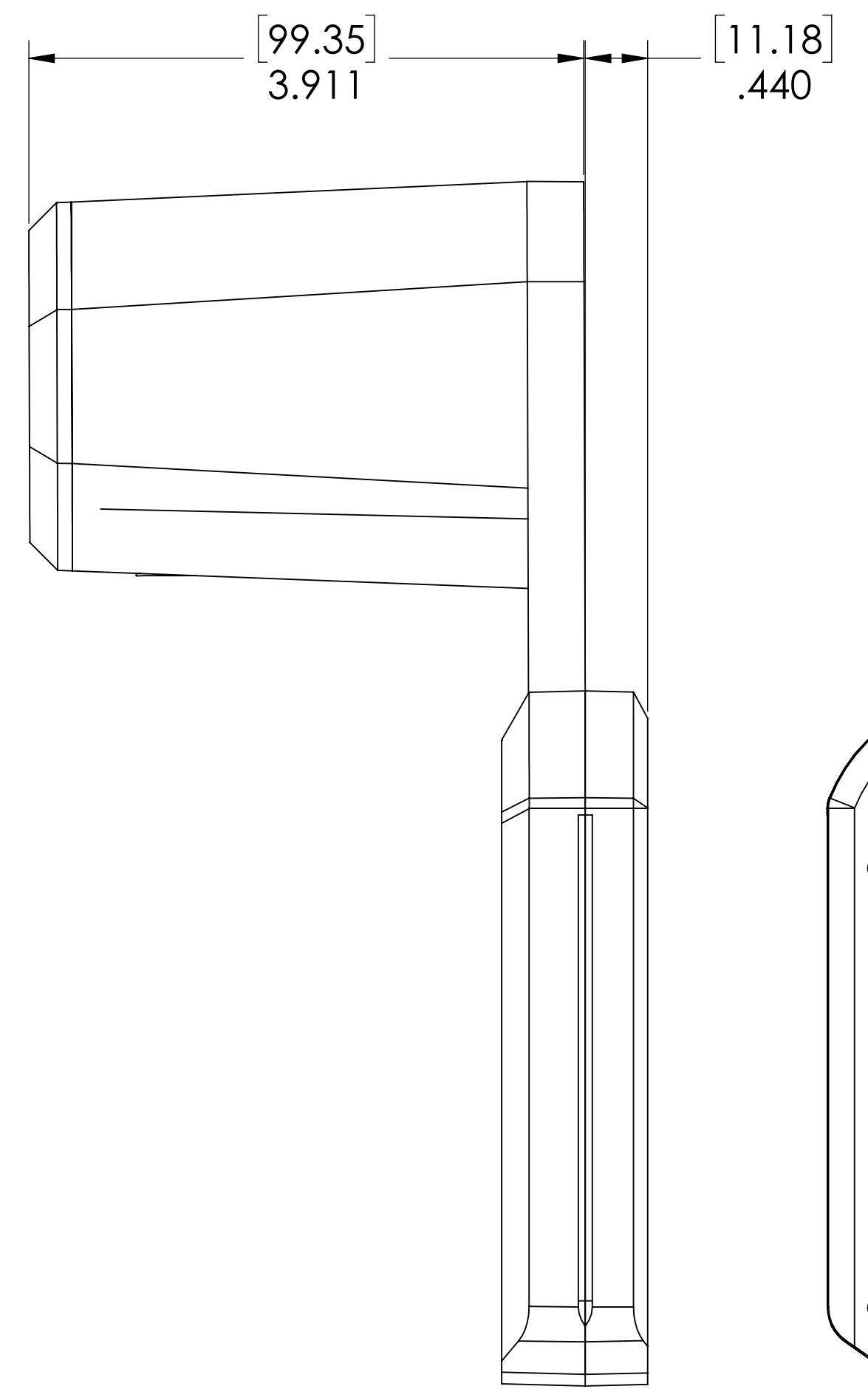
ISO VIEW



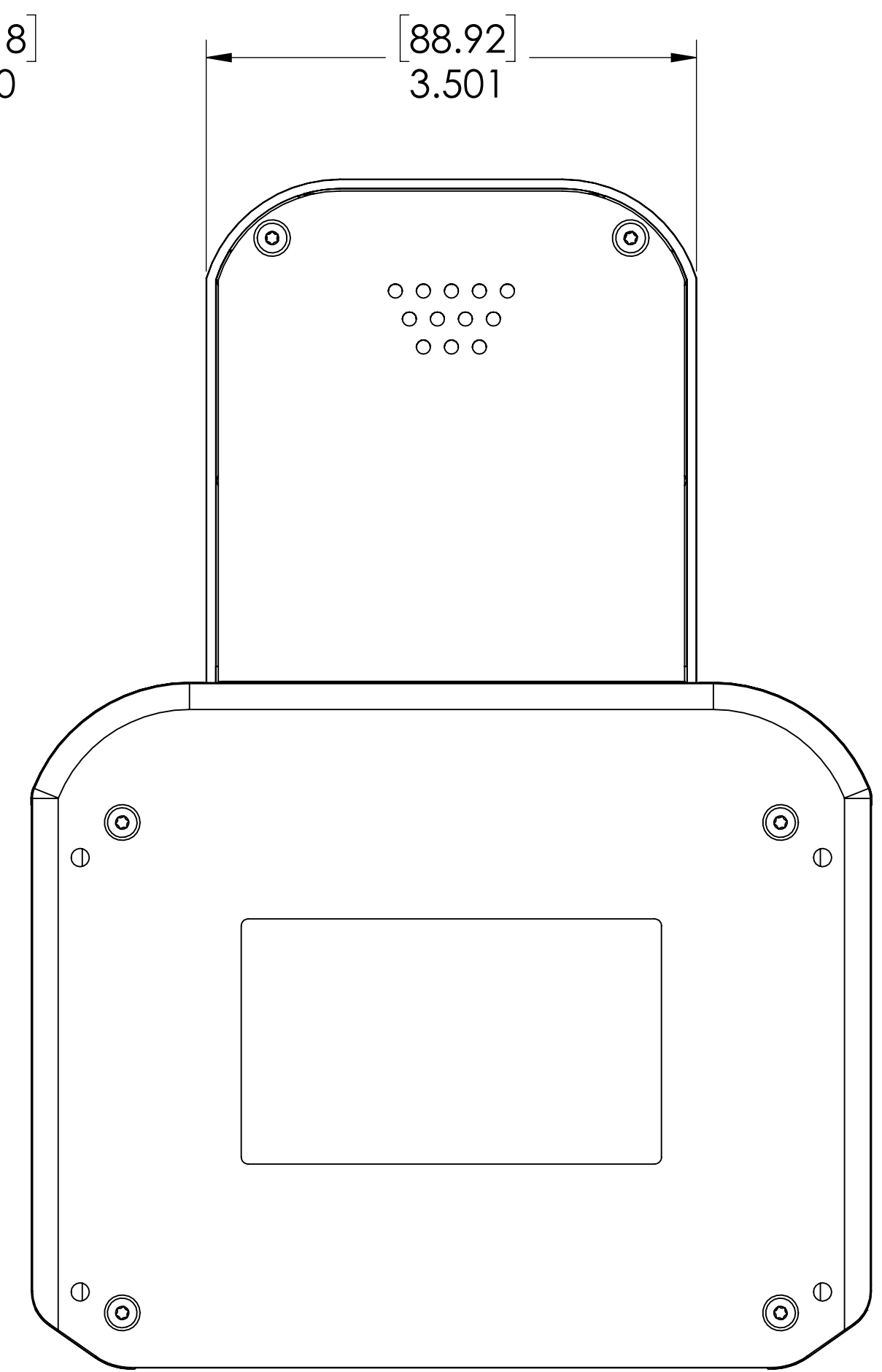
SIDE VIEW 1



FRONT VIEW

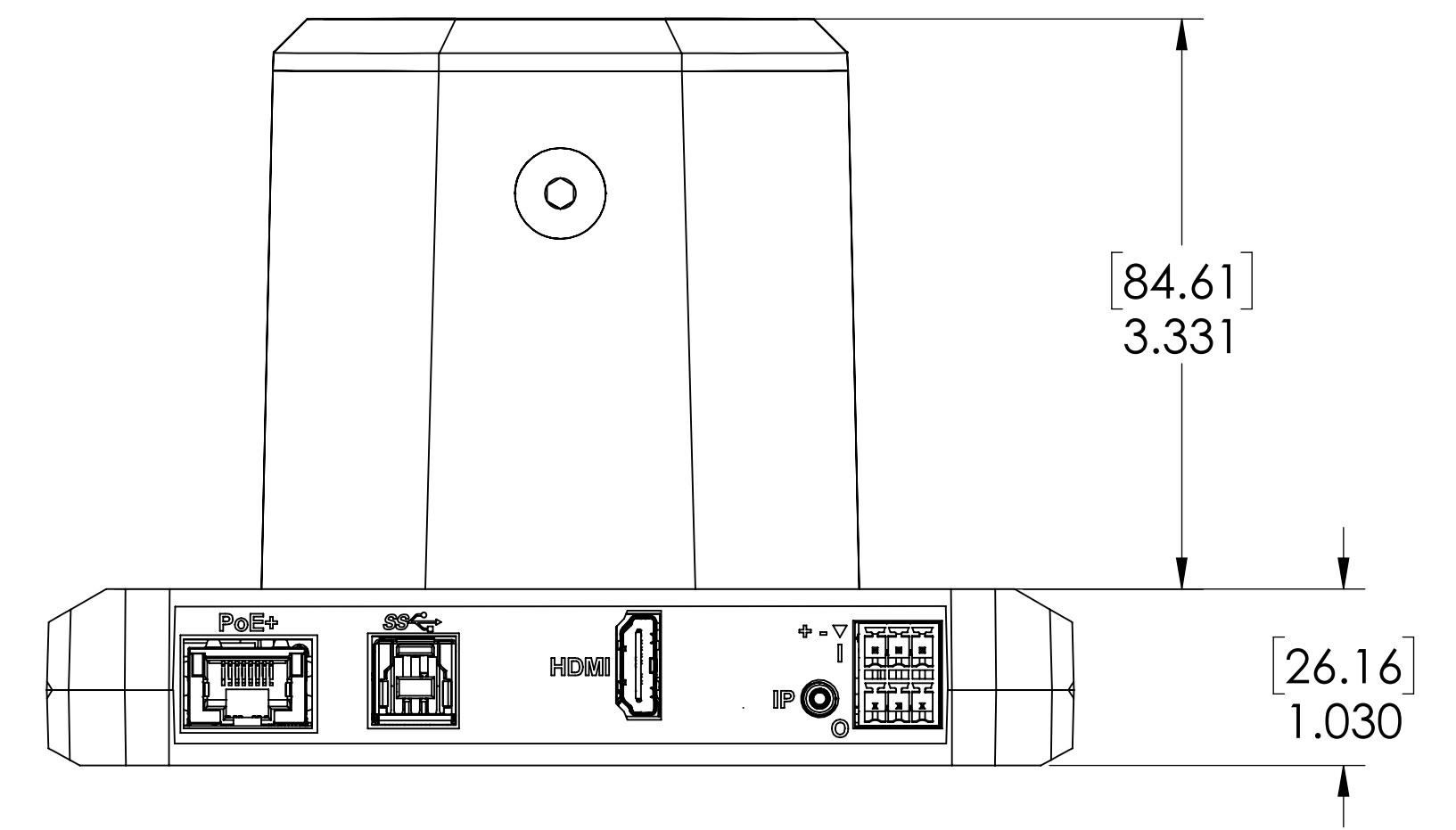


SIDE VIEW 2



REAR VIEW

BOTTOM VIEW



UNLESS OTHERWISE NOTED:
DIMENSIONS ARE IN INCHES
DIMENSIONAL LIMITS APPLY
AFTER FINISH

MACHINED SURFACES 125
EDGES & FILLETS R .005/.015
FRACTIONS ± 1/32
ANGLES ± 1°
DEC. XX = ± .015
XXX = ± .005
XXXX = ± .0002

THIS DRAWING, INCLUDING ALL SUBJECT MATTERS INDICATED THEREON OR DERIVED THEREFROM, COMPRSES PROPRIETARY INFORMATION AND IS THE EXPRESS PROPERTY OF LEGRAND AV INC. EMPLOYMENT, REPRODUCTION OF OR DISSEMINATION OF THIS DRAWING, IN WHOLE OR IN PART, WITHOUT WRITTEN PERMISSION OF LEGRAND AV INC IS STRICTLY FORBIDDEN.

vaddio

DRAWN CPM	CHECKED	APPROVED	DATE 3-23-2021
MATERIAL	SIZE D		SCALE 1:1
TITLE INTELLISHOT	SHEET 1 OF 1	DRAWING NO. 998-21100-000	REV. 01