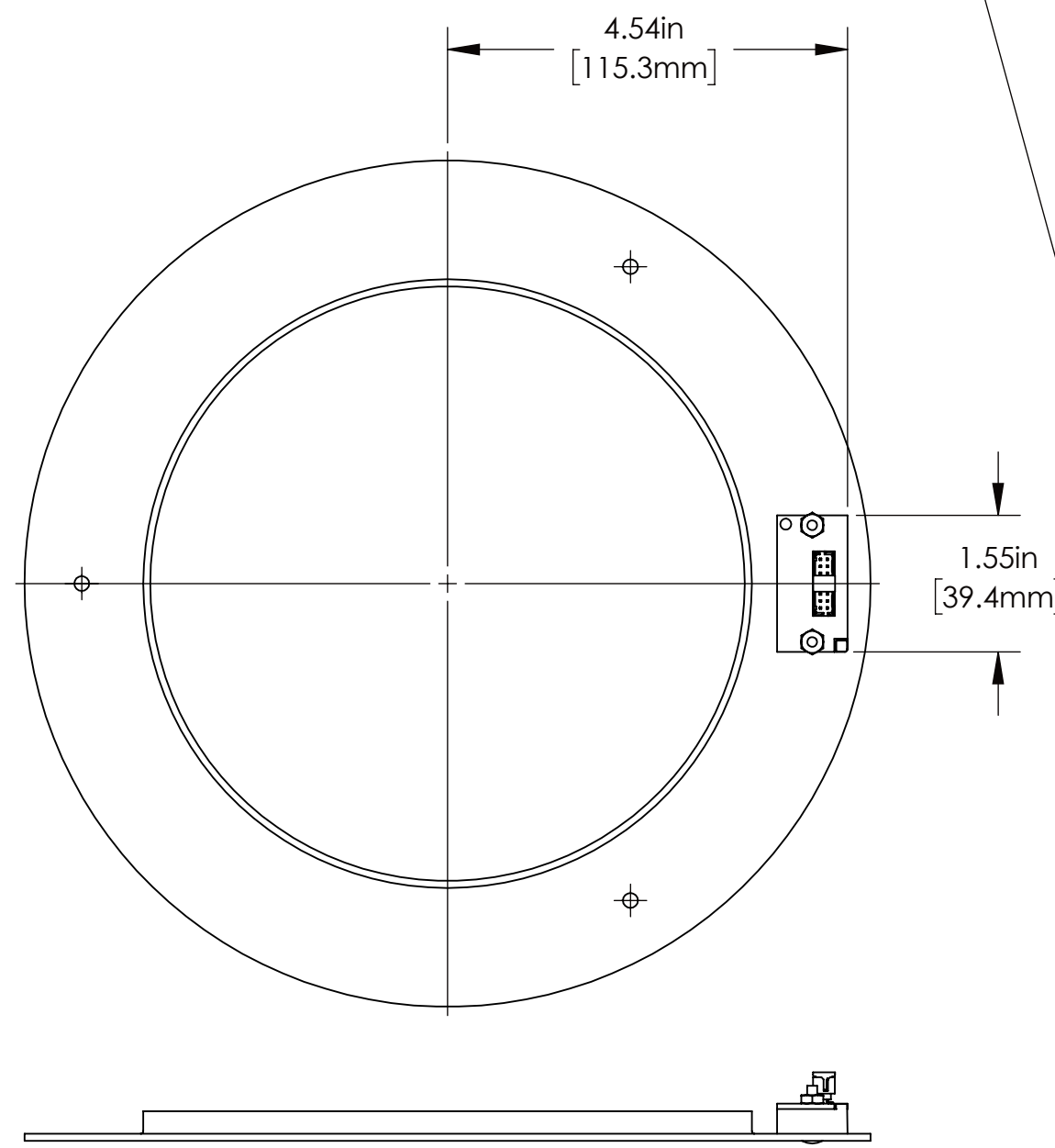
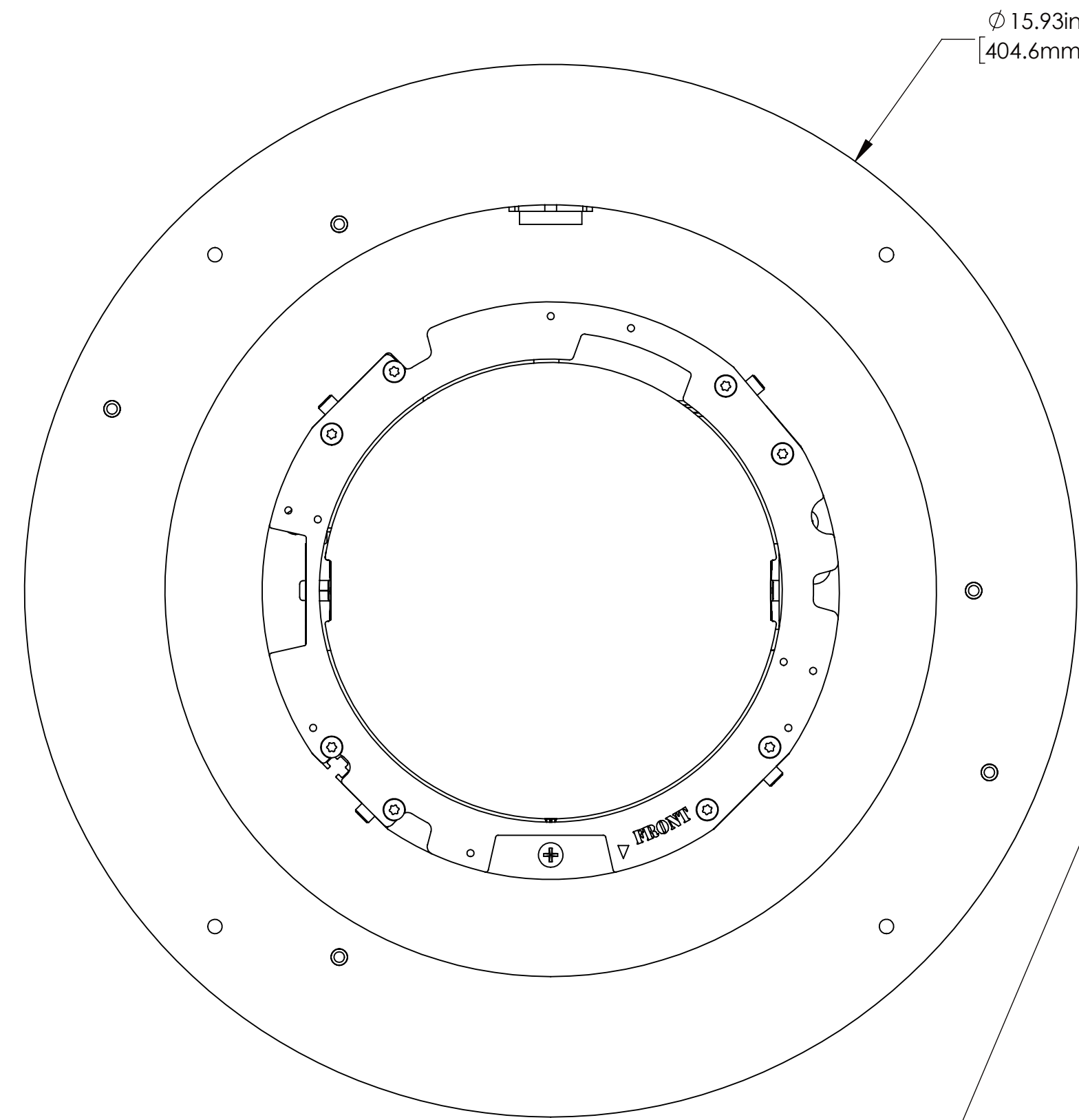
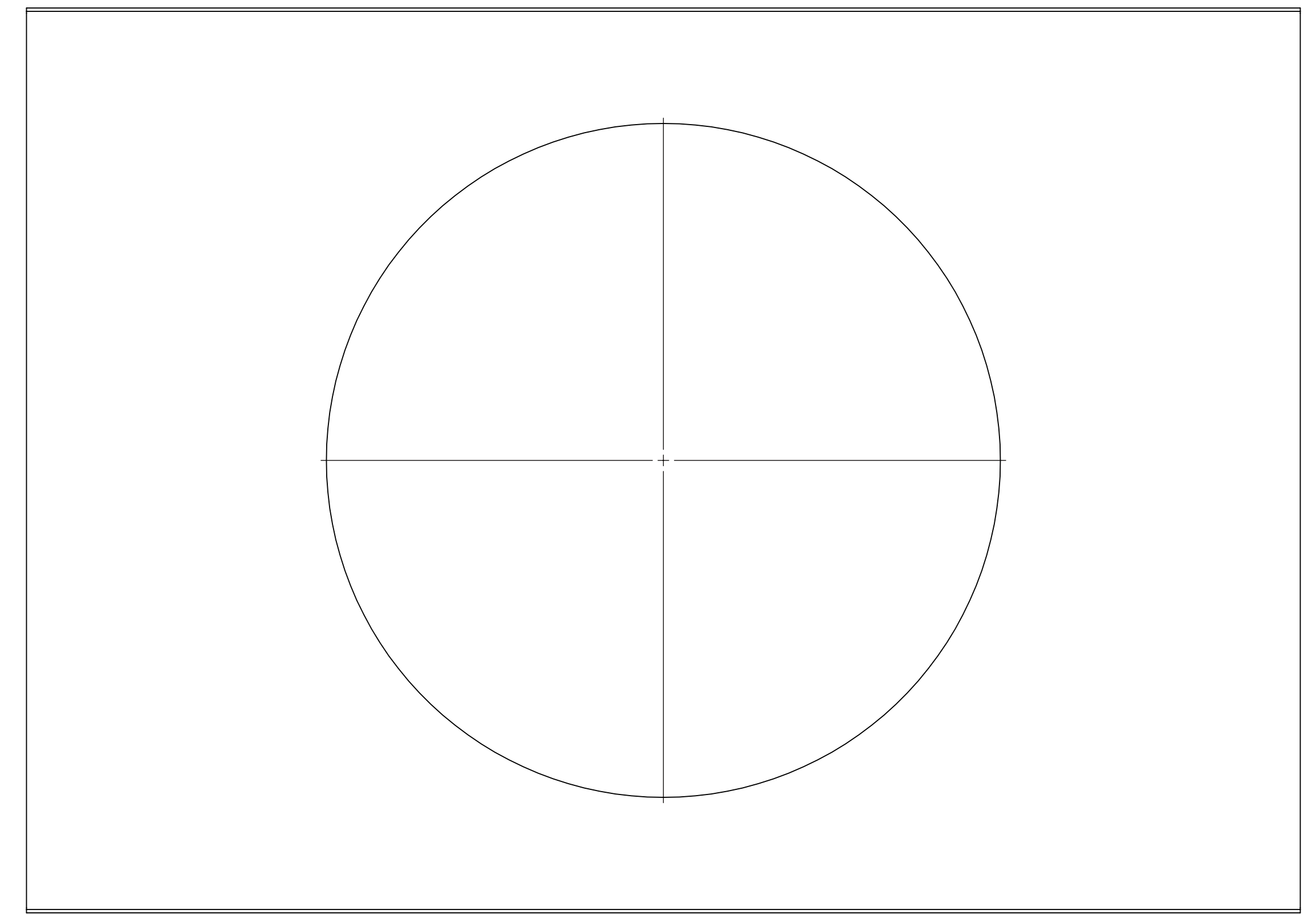
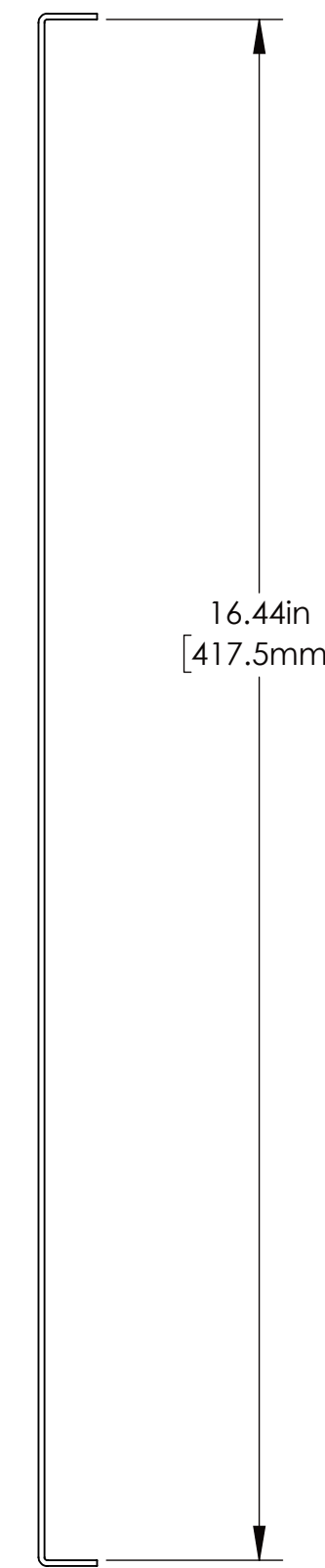
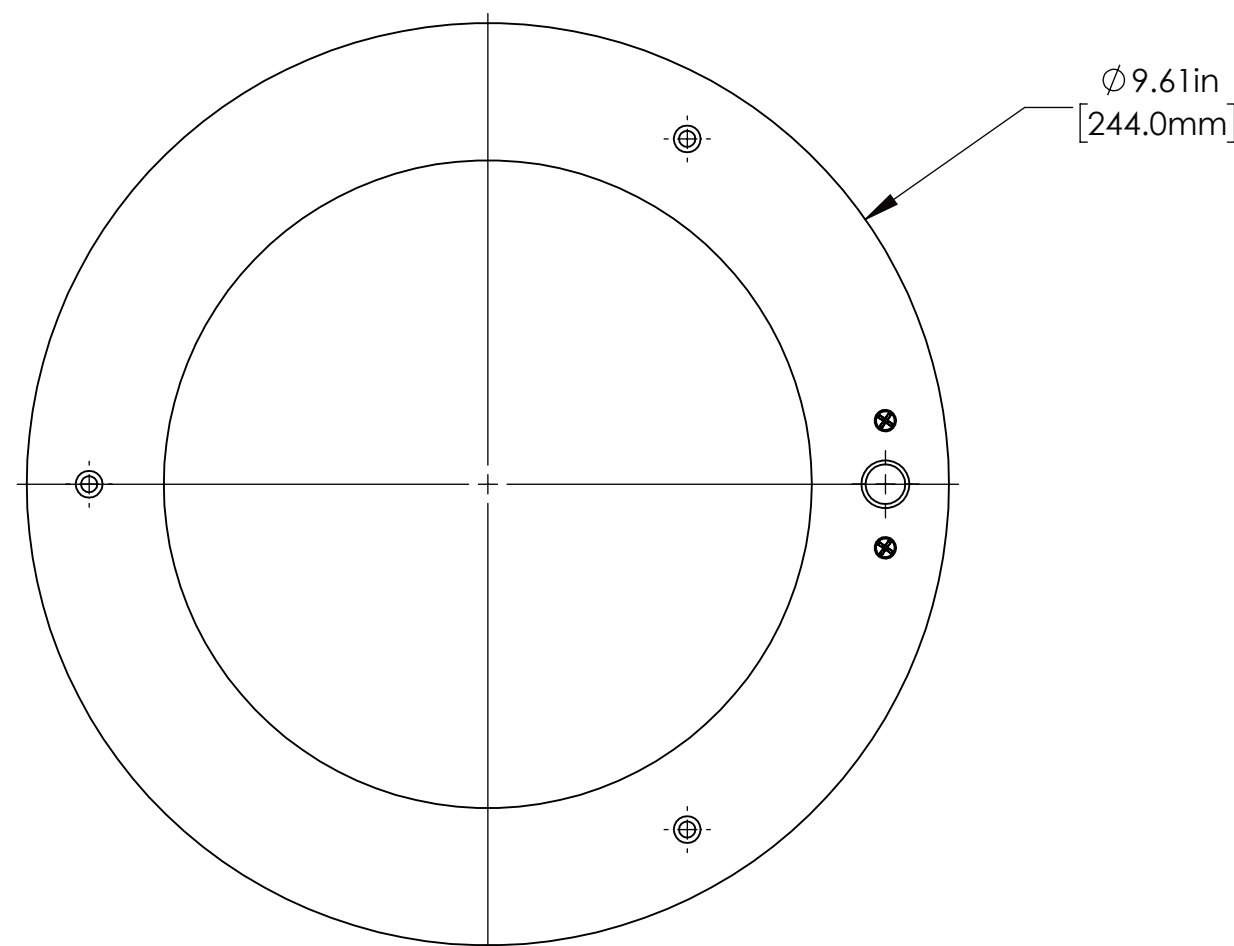


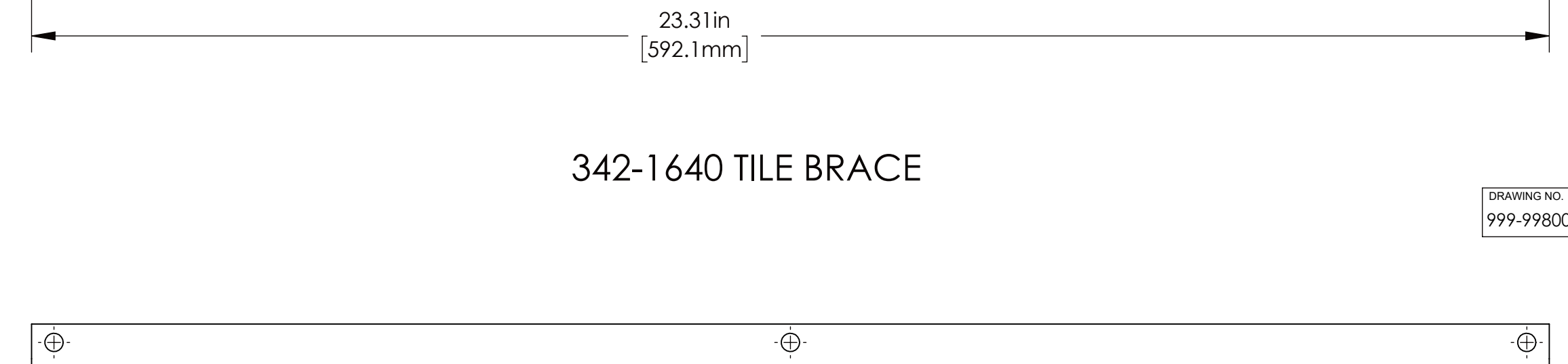
998-99800-000
BACK CAN/CAMERA ASSEMBLY



342-1632 TRIM RING ASSEMBLY



342-1640 TILE BRACE



DRAWING NO.
999-99800-000

UNLESS OTHERWISE NOTED: DIMENSIONS ARE IN INCHES DIMENSIONAL LIMITS APPLY AFTER FINISH		THIS DRAWING, INCLUDING ALL SUBJECT MATTERS INDICATED THEREON OR DERIVED THEREFROM, COMPREHENSIVE PROPRIETARY INFORMATION AND IS THE EXPRESS PROPERTY OF LEGRAND AV INC. EMPLOYMENT, REPRODUCTION OF OR DISSEMINATION OF THIS DRAWING, IN WHOLE OR IN PART, WITHOUT WRITTEN PERMISSION OF LEGRAND AV INC. IS STRICTLY FORBIDDEN.			
MACHINED SURFACES 125	EDGES & FILLETS R .005/.015				
FRACTIONS ± 1/32	ANGLES ± 1°				
DEC. XX = ± .015	XXX = ± .005	DRAWN: WLF	CHECKED:	APPROVED:	DATE: 8/18/20
XXXX = ± .0002		MATERIAL: VARIOUS		SIZE: D	SCALE: 1:2
FINISH: NONE		TITLE: ROBOFLIP CAMERA ASSEMBLY		SHEET: 1 OF 1	DRAWING NO.: 999-99800-000
				REV: A	