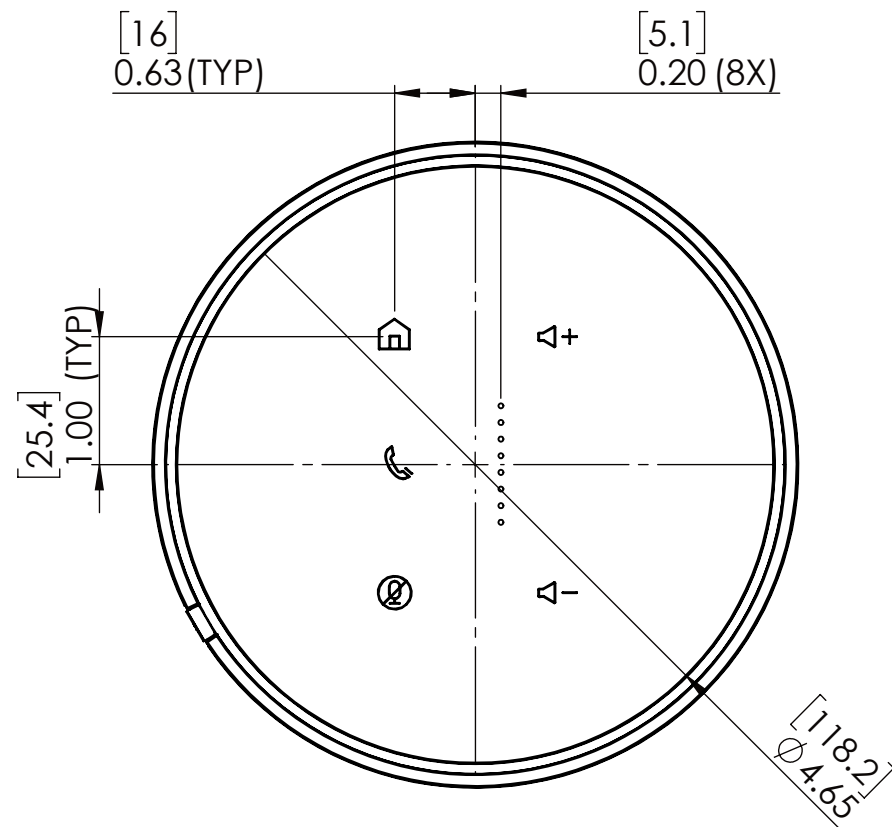
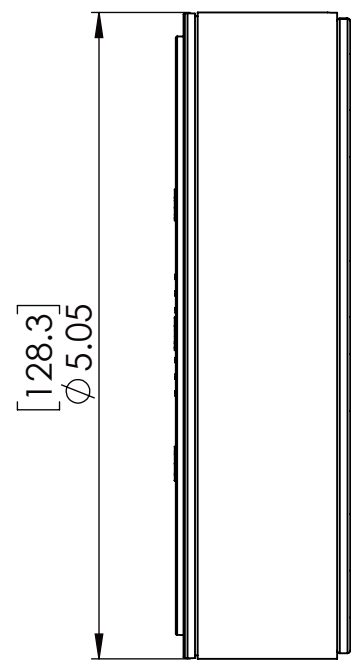


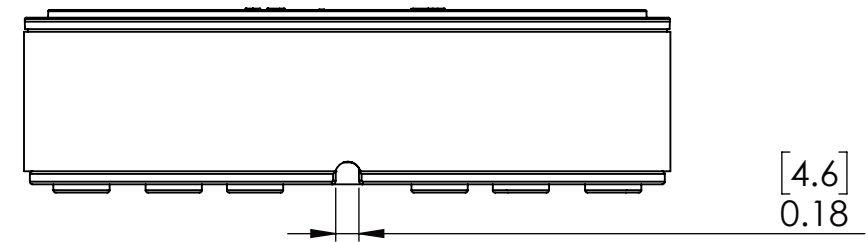
LEFT SIDE VIEW



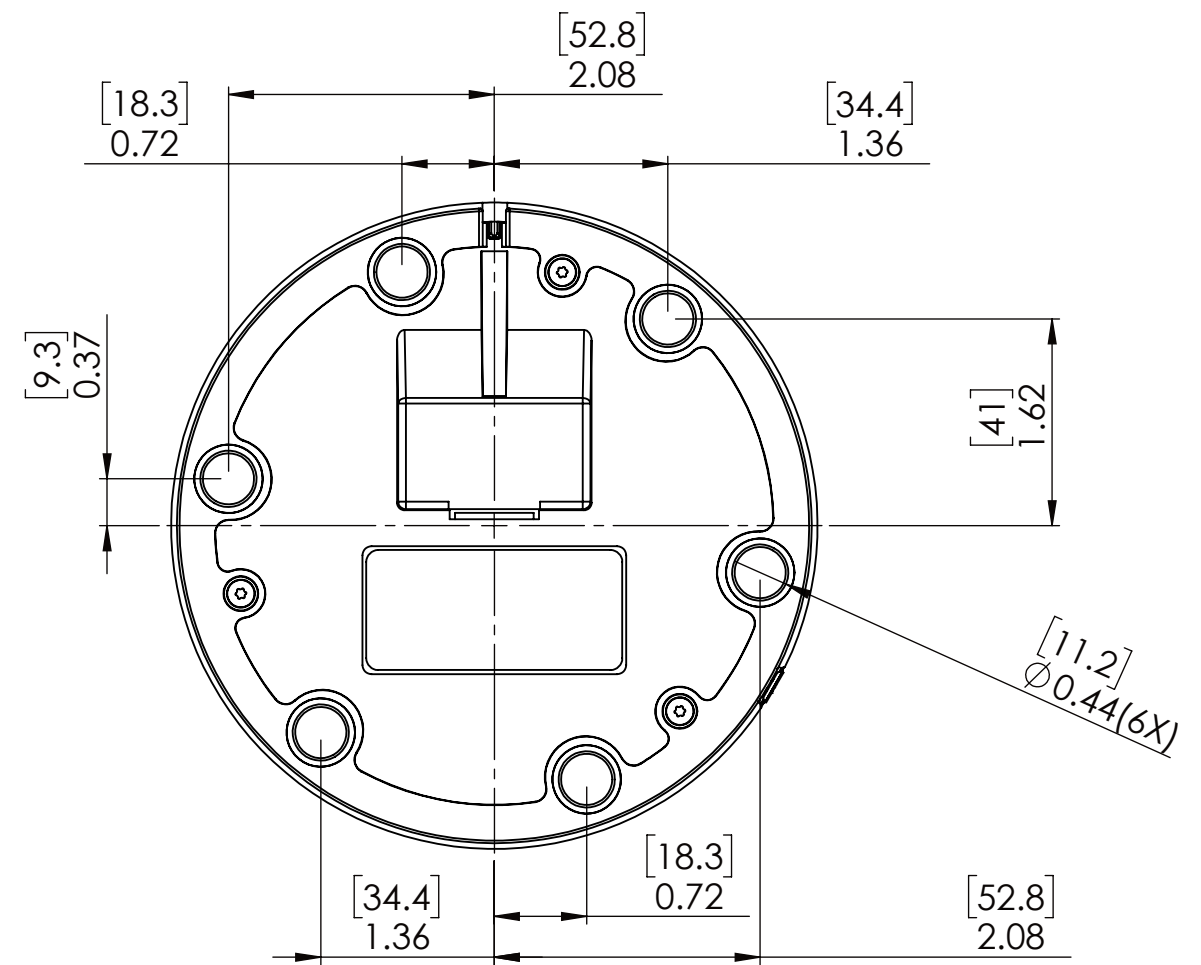
TOP VIEW



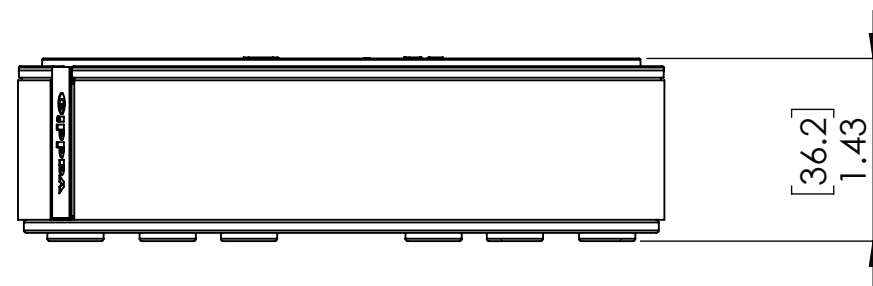
RIGHT SIDE VIEW



BACK VIEW



BOTTOM VIEW



FRONT VIEW

UNLESS OTHERWISE NOTED:

DIMENSIONS ARE IN INCHES

DIMENSIONAL LIMITS APPLY AFTER FINISH

MACHINED SURFACES 125

EDGES & FILLETS R .005/.015

FRACTIONS ± 1/32

ANGLES ± 1°

DEC. .XX = ± .015

.XXX = ± .005

.XXX = ± .0002

THIS DRAWING, INCLUDING ALL SUBJECT MATTERS INDICATED THEREON OR DERIVED THEREFROM, COMPRISES PROPRIETARY INFORMATION AND IS THE EXPRESS PROPERTY OF VADDIO LLC. EMPLOYMENT, REPRODUCTION OF OR DISSEMINATION OF THIS DRAWING, IN WHOLE OR IN PART, WITHOUT WRITTEN PERMISSION OF VADDIO LLC IS STRICTLY FORBIDDEN.



DRAWN CMM	CHECKED	APPROVED	DATE 5/15/19
MATERIAL VARIOUS			SIZE B
FINISH			SCALE N/A

TITLE TableMIC ASSEMBLY	SHEET 1 OF 1	DRAWING NO. 998-85000	REV. A
----------------------------	-----------------	--------------------------	-----------