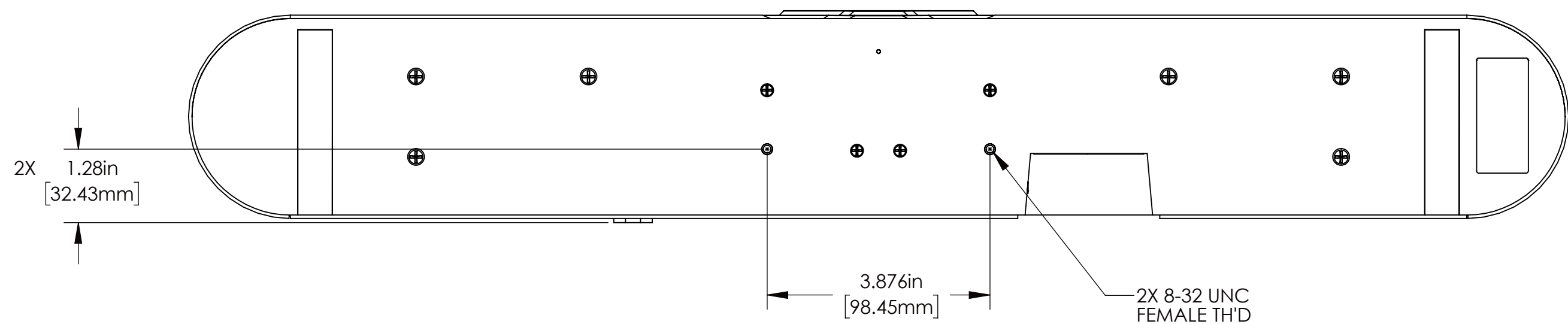


DRAWING NO.
998-50707-000



UNLESS OTHERWISE NOTED:
DIMENSIONS ARE IN INCHES
DIMENSIONAL LIMITS APPLY
AFTER FINISH

MACHINED SURFACES 125
EDGES & FILLETS R .005/.015
FRACTIONS ± 1/32
ANGLES ± 1°
DEC. XX = ± .015
XXX = ± .005
XXXX = ± .0002

THIS DRAWING, INCLUDING ALL SUBJECT MATTERS INDICATED THEREON OR DERIVED THEREFROM, CONSTITUTES PROPRIETARY INFORMATION AND IS THE EXPRESS PROPERTY OF VADDIO LLC. EMPLOYMENT, REPRODUCTION OF OR DISSEMINATION OF THIS DRAWING, IN WHOLE OR IN PART, WITHOUT WRITTEN PERMISSION OF VADDIO LLC IS STRICTLY FORBIDDEN.

vaddio

DRAWN WLF	CHECKED	APPROVED	DATE 1/24/19
MATERIAL SEE BOM			SIZE D
FINISH NONE			SCALE 1:2

Q2	-	INITIAL RELEASE	WLF	1/24/19	TITLE HUDDLESHOT	SHEET 1 OF 1	DRAWING NO. 998-50707-000	REV. 02
REV.	E.C.O.	DESCRIPTION	BY	DATE				