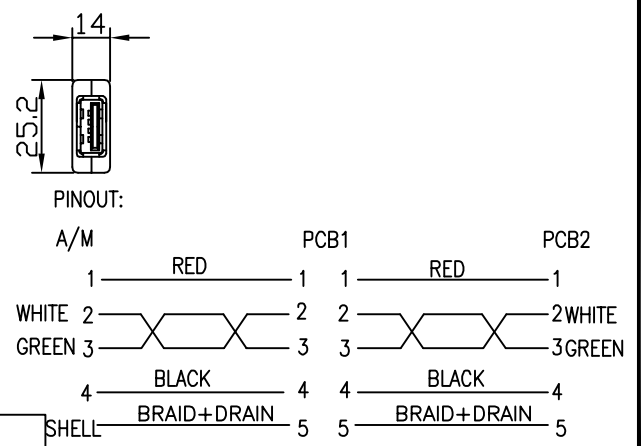
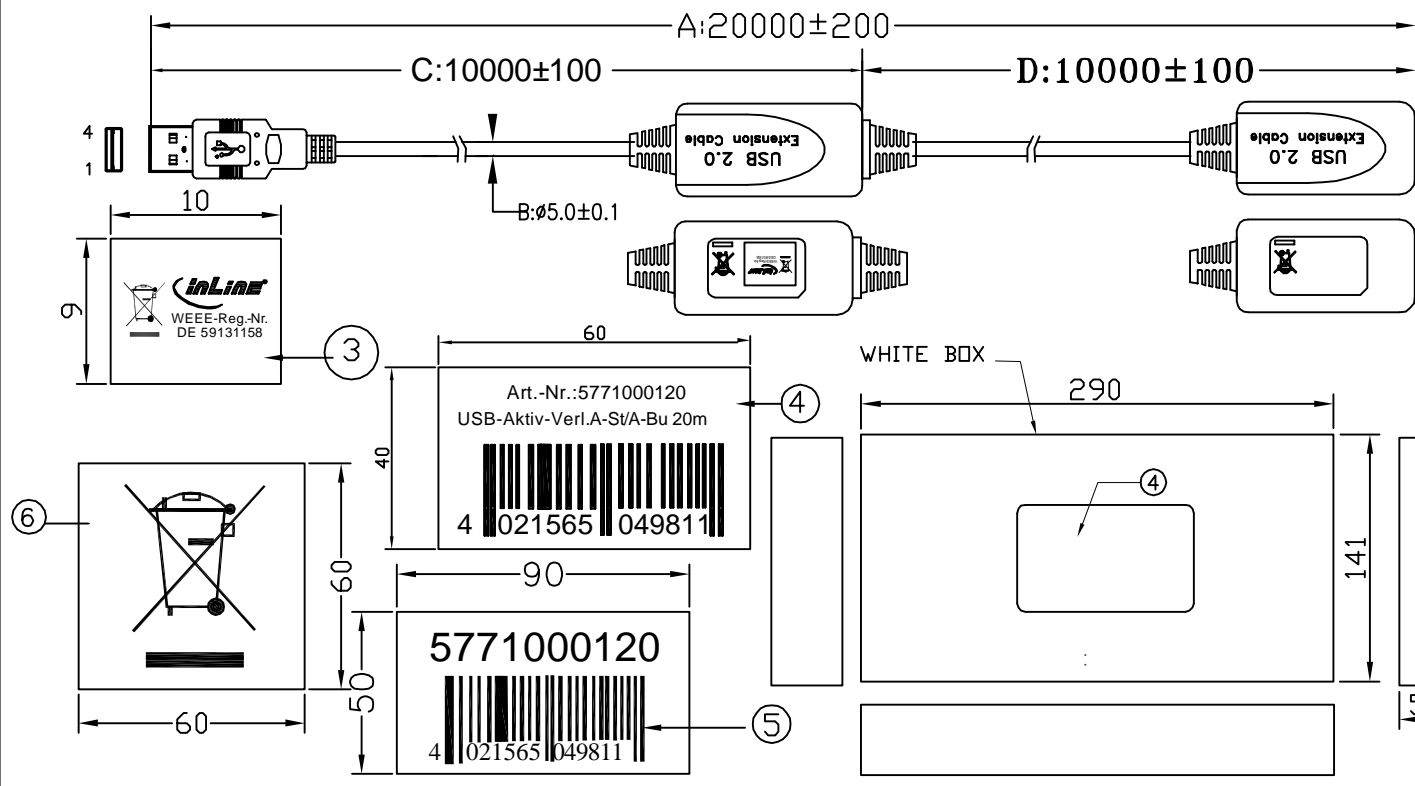
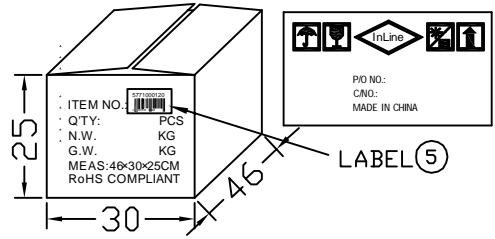


<b>WEIGHT</b>	<b>CUSTOMER NO:</b>	<b>REMARK</b>
828.7g-K7	K-346131	INTOS



**NOTE:**  
 1) 9\*10mm label stick the bak side of the product.  
 2) 40\*60mm description label stick on the middle of the box. .  
 3) 60\*60MM label stick on the carton.  
 4) 50\*90mm lable stick at the side mark of the carton.



5	USB2.0 EXTENSION CABLE 5M PCB(IC:FE1.1) RoHS
4	USB2.0 EXTENSION CABLE 10M PCB(IC:FE1.1) RoHS
3	USB2.0 A/M WHITE SOLDER TYPE TERMINAL PLATED GOLD 30U" RoHS
2	USB2.0 28#1P+20#2C+A+B(65%)+D OD:5.0MM BLACK(1101) 10000MM RoHS
1	USB2.0 28#1P+20#2C+A+B(65%)+D OD:5.0MM BLACK(1101) 10000MM RoHS

A	FIRST EDITION	June	2014/03/07
REV. ECR	DESCRIPTION	C.N.	DATE
INTOS ELECTRONIC AG			
UNLESS OTHERWISE SPECIFIED: DIMENSIONS ARE IN MILLIMETERS ANGULAR TOLERANCE: ±1.0°		TITLE <b>USB 2.0 ACTIVE CABLE 20M</b>	
DIMENSIONS	TOLERANCE	CHKD.	CONF.
0.00 TO 30.00mm	±0.10mm		
30.01 TO 80.00mm	±0.13mm	DR.	APPD.
80.01 TO 150.00mm	±0.15mm	June	
150.01mm	±0.20mm	PART NO.	
MATERIAL		<b>22620090</b>	
FINISH		SCALE	SHEET <b>1 / 1</b> UNIT <b>MM</b> SIZE <b>A4</b> REV. <b>A</b>