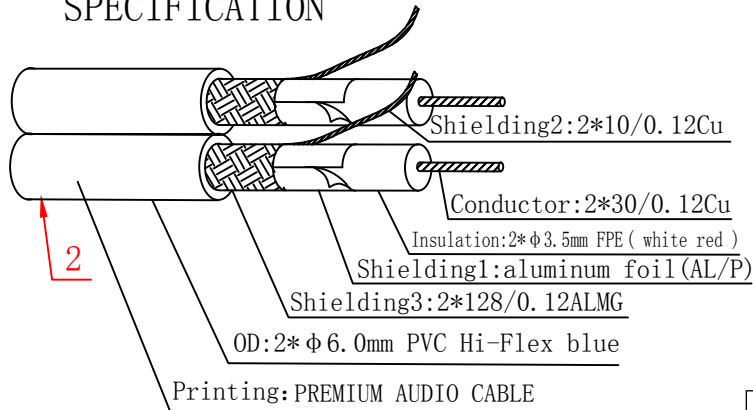
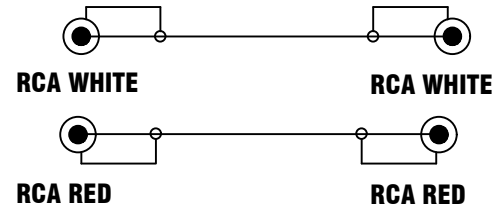


**SPECIFICATION**



**WIRING DIAGRAM**



ITEM NO.	LENGTH
K-89702P	2m ± 20MM
K-89705P	5m ± 50MM
K-89710P	10m ± 100MM
K-89715P	15m ± 100MM
K-89720P	20m ± 100MM

4	COLOR RING	White	2PCS
3	COLOR RING	Red	2PCS
2	CABLE	2C AV CABLE BLUE	L
1	CONNECTORS	GOLD RCA Male With Black Rubber Ring Shell Printed black logo OD:6.5mm	4PCS
NO.	PARTS NAME	SPECIFICATION STANDARD	QTY

- TESTING: 100% OPEN AND SHORT AND MISWIRE TEST.
- CONDUCTION RESISTANCE: 5 OHM MAX
- INSULATION RESISTANCE: 10 OHM MAX
- WITHSTAND VOLTAGE: 300V
- 100% RoHS COMPLIANT.

01	NEW ISSUE	2020.05.06
REV.	MODIFY DESCRIPTION	DATE

	SCALE	NONE	<b>TITLE</b> <b>AUDIO CABLE</b>	ENG. DATE CHECKED DATE APPROVED DATE
	SHEET	1/1		
DIMENSIONAL TOLERANCES UNLESS OTHERWISE NOTED .X ±      .XX ±			CUS. P/N	DRAWING NO. MW-89-002
.XXX ±      ANGLES ±		REV. 00	CUS. REV	