



## Kindermann DisplayLift NEW!

Electrical height adjustment for interactive displays up to 86 inches

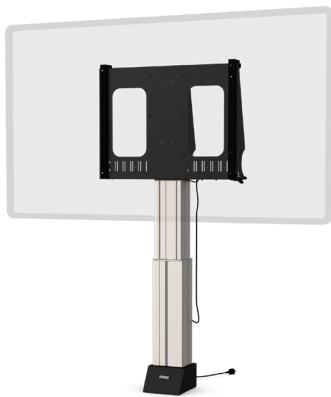
**Ideal for interactive applications, the Kindermann DisplayLift with electrical height adjustment creates better accessibility to technology in boardrooms and classrooms.**

- Easy and time-saving installation due to preassembled components
- The display center can be adjusted between 112 cm and 162 cm in height
- Integrated cable management prevents the clamping of the supply cables
- VESA mount included
- An anti-collision sensor and an expansion module for app control via Bluetooth are optionally available.
- The button for operating the height adjustment can be mounted either on the left or right side of the display holder.

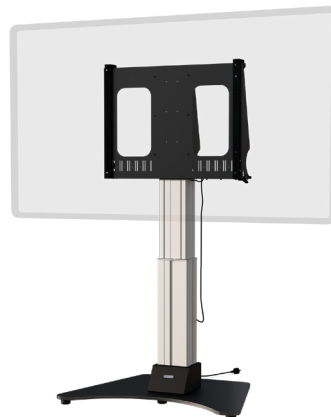
**Quality made in Germany**  
by Kindermann

### Technical data

Load capacity	90 kg
Height adjustment	50 cm
Driving speed	20 mm/s
VESA	300 x 200 - 800 x 600
Max. size of display	86"
Colour	RAL 9005 - steel powdered, black RAL 9006 - aluminium anodized, silver



• Wall mount



• Floor support (floor plate needed)

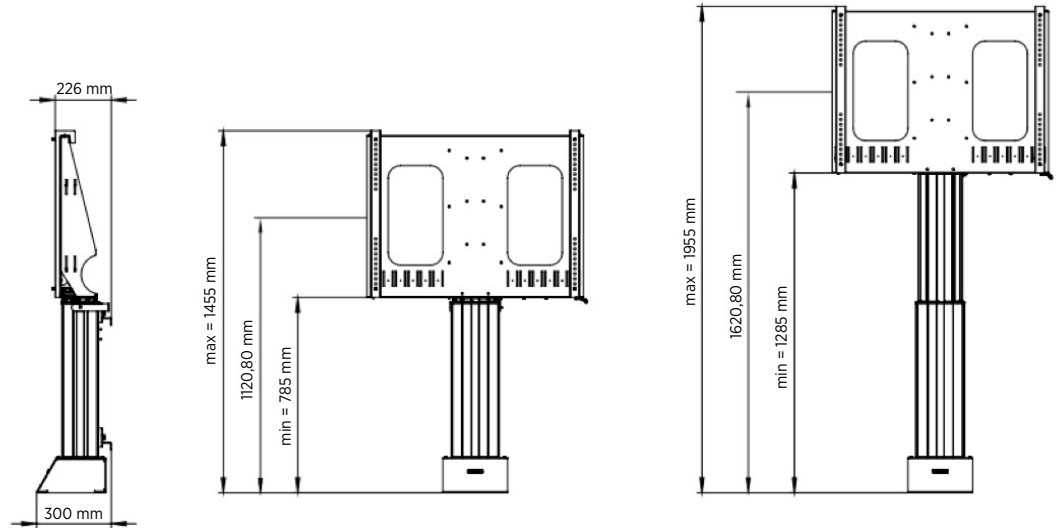


• Mobile cart

## Main dimensions

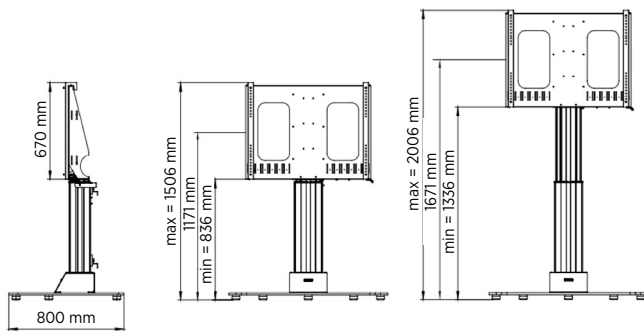
### Ref.No. 4013000300

Weight (without display): 32 kg



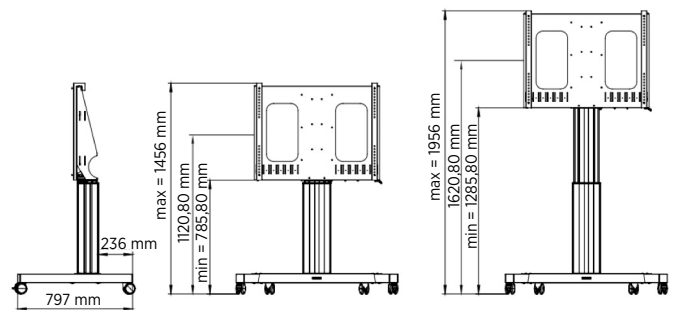
### Ref.No. 4013000300 + 4013000110

Weight (without display): approx. 40 kg



### Ref.No. 4013000301

Weight (without display): 41 kg



Product	Description	Ref.-No.
Kindermann DisplayLift – Wall mount	<ul style="list-style-type: none"> <li>Mounted to the wall via 2 height-adjustable mounting brackets</li> <li>Dimensions (without display): 870 x 1760 (2260) x 321 mm (WxHxD)</li> <li>Weight (without display): approx. 34 kg</li> </ul>	4013 000 300
Kindermann DisplayLift – Mobile cart	<ul style="list-style-type: none"> <li>The lifting column is mounted on an V-frame with 4 castors, of which 2 are lockable</li> <li>Dimensions of the H-frame: 1125 x 150 x 800 mm (WxHxD)</li> <li>Weight (without display): approx. 43 kg</li> </ul>	4013 000 301
Accessories	Description	Ref.-No.
Floor plate for the Kindermann DisplayLift	<ul style="list-style-type: none"> <li>Black lacquered floor plate for freestanding installation of the Kindermann DisplayLift 4013 000 x00</li> <li>Dimensions: 1105 x 800 mm (WxD)</li> </ul>	4013 000 110
Cover DisplayLift	<ul style="list-style-type: none"> <li>Cover for the display bracket.</li> <li>The cover is screwed on the display bracket and closes it.</li> </ul>	4013 000 111
Front Shelf DisplayLift	<ul style="list-style-type: none"> <li>Front shelf to mount to the central column of the DisplayLift</li> <li>Max. load capacity: 10 kg</li> <li>Dimensions of footprint (max.): 46 x 24,8 cm (W x D)</li> <li>Colour: RAL 9005, black</li> </ul>	4013 000 313
Camera Shelf DisplayLift	<ul style="list-style-type: none"> <li>Holder/Shelf for videoconference cameras</li> <li>Camera Shelf to mount to the display holder</li> <li>Height adjustable</li> <li>Possibility to mount the shelf under or above the display</li> <li>Max. load capacity: 8 kg</li> <li>Dimensions of footprint (max): 24,7 x 11,6 cm (W x D)</li> <li>Compatible for displays sizes 65" – 86"</li> <li>Colour: RAL 9005, black</li> </ul>	4013 000 114
KLICK&SHOW mount for DisplayLift	<ul style="list-style-type: none"> <li>For rear mounting of KLICK&amp;SHOW K-4x or K-FX on Kindermann DisplayLift</li> </ul>	4013 000 314
Collision sensor for DisplayLift	<ul style="list-style-type: none"> <li>Extension kit for Kindermann DisplayLift 4013 000 300/301</li> <li>The sensor protects the display and objects in the travel path from damage due to collision.</li> </ul>	4013 000 310
Bluetooth adapter for DisplayLift	<ul style="list-style-type: none"> <li>Bluetooth dongle for controlling the Kindermann DisplayLift</li> <li>Height adjustments in conjunction with a free iOS / Android app (available in the respective apps store).</li> </ul>	4013 000 311