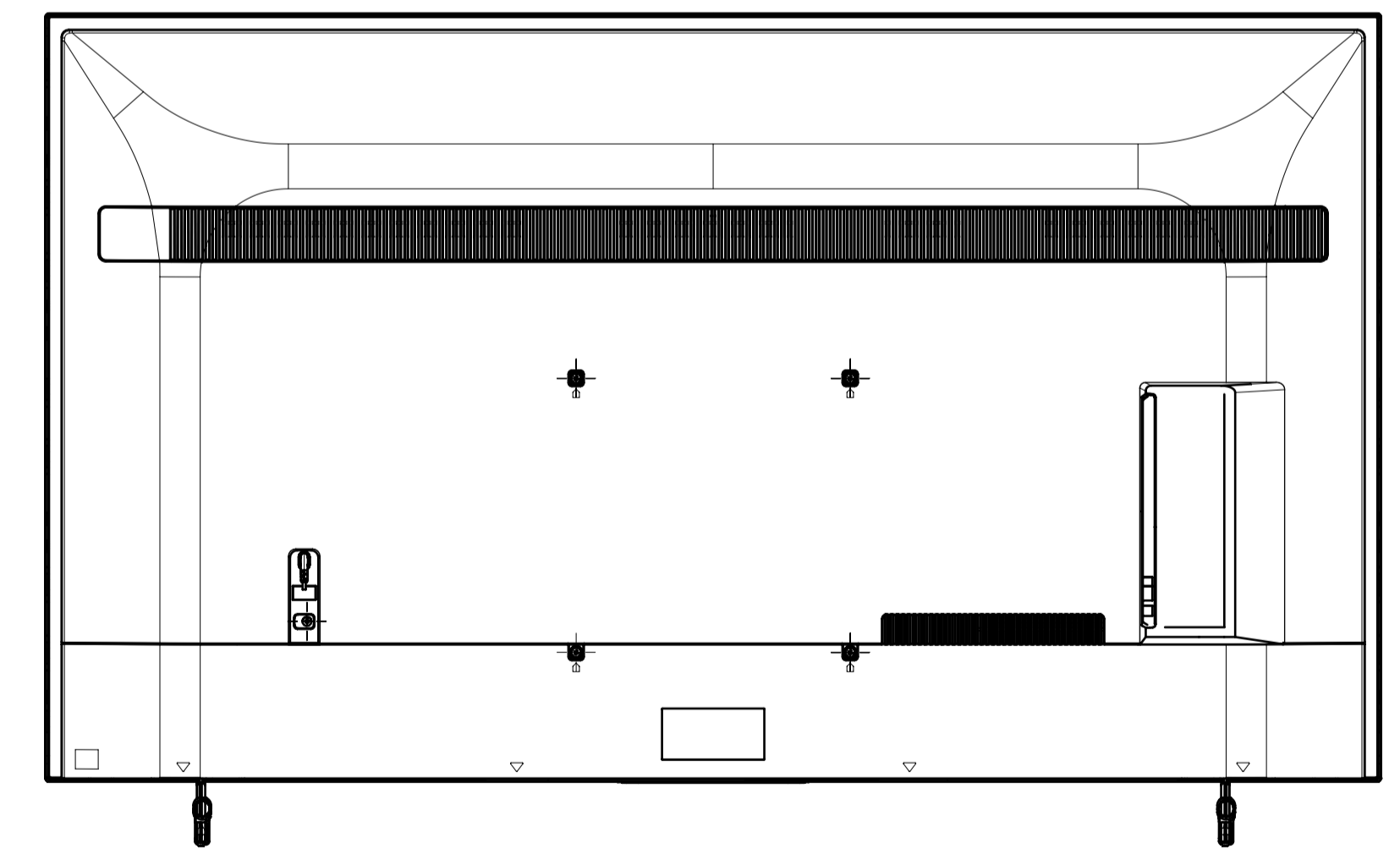
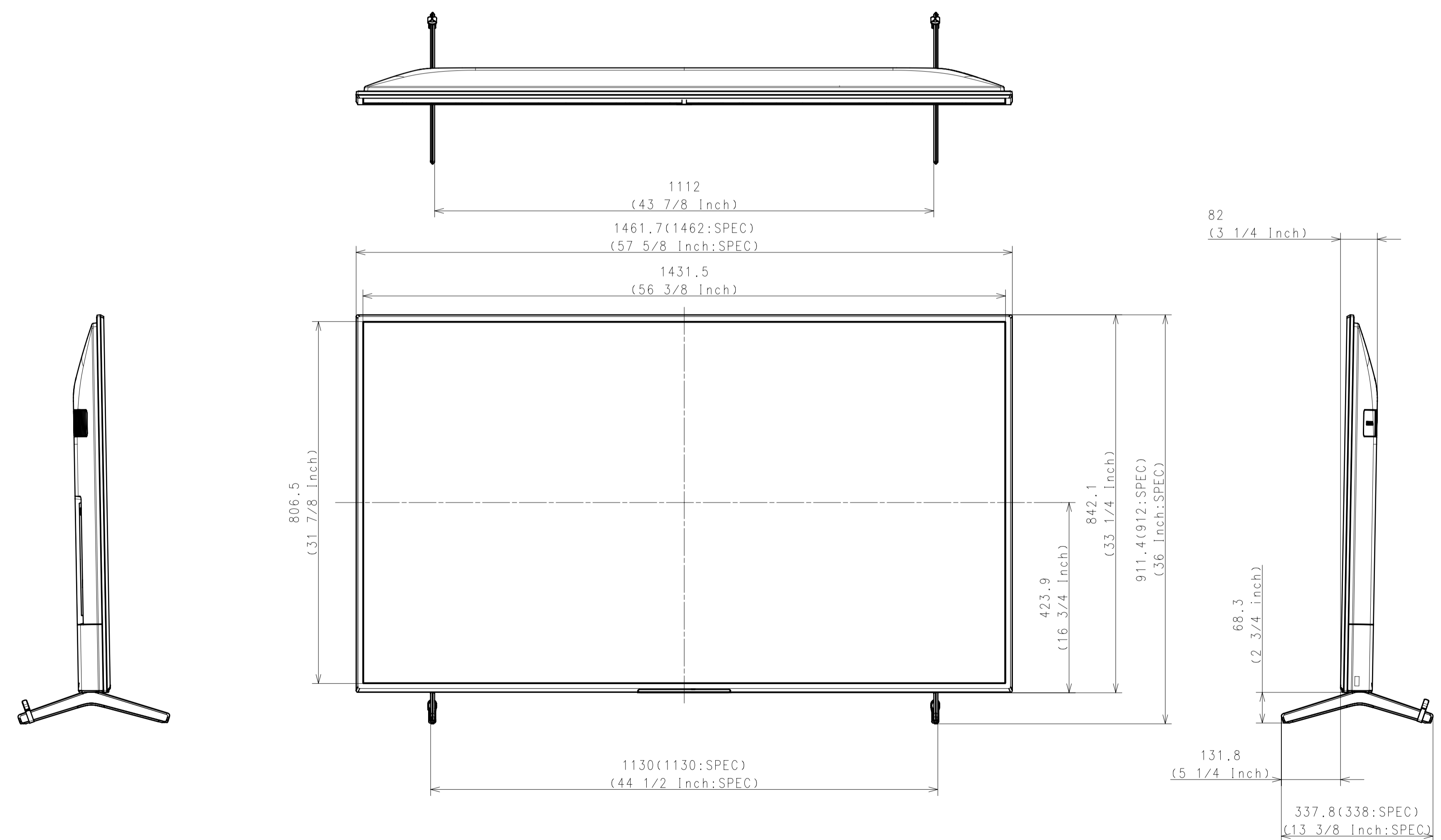


| Area | JAPAN | NORTH AMERICA | EUROPE | GENERAL AREA | CHINA | |
|---|--|-------------------------------------|---|--------------------------------|-----------------------------|-----------------------------|
| Model Name | FW-65BZ40L | FW-65BZ40L | FW-65BZ40L | FW-65BZ40L | FW-65BZ40L | |
| SV No. | SV-41559 | SV-41413 | SV-41498 | SV-41497 | SV-41521 | |
| DIMENSION | TV only (W x H x D) | 146.2 x 84.2 x 7.1 cm | 1462 x 842 x 71 mm / 57 5/8 x 33 1/4 x 2 7/8 inch | Approx. 146.2 x 84.2 x 7.1 cm | Approx. 1462 x 842 x 71 mm | Approx. 1462 x 842 x 71 mm |
| | TV only with camera (W x H x D) | - | - | - | - | - |
| | TV with Stand (Standard position) (W x H x D) | 146.2 x 91.2 x 33.8 cm | 1462 x 912 x 338 mm / 57 5/8 x 36 x 13 3/8 inch | Approx. 146.2 x 91.2 x 33.8 cm | Approx. 1462 x 912 x 338 mm | Approx. 1462 x 912 x 338 mm |
| | TV with Stand (Narrow position) (W x H x D) | - | - | - | - | - |
| | TV with Stand (Soundbar position) (W x H x D) | - | - | - | - | - |
| | TV with Stand (Front position style) (W x H x D) | - | - | - | - | - |
| | TV with Stand (Back position style) (W x H x D) | - | - | - | - | - |
| | TV with Floor Stand (W x H x D) | - | - | - | - | - |
| | Stand Width (Standard position) | 113.0 cm | 1130 mm / 44 1/2 inch | Approx. 113.0 cm | Approx. 1130 mm | Approx. 1130 mm |
| | Stand Width (Narrow position) | - | - | - | - | - |
| Stand Width (Soundbar position) | - | - | - | - | - | |
| Stand Width (Front position style) | - | - | - | - | - | |
| Stand Width (Back position style) | - | - | - | - | - | |
| Floor Stand Width | - | - | - | - | - | |
| VESA Hole Pitch | 30.0 x 30.0 cm | 300 x 300 mm / 11 7/8 x 11 7/8 inch | 30.0 x 30.0 cm | 300 x 300 mm | 300 x 300 mm | |
| TV Only | 21.4 kg | 21.4 kg / 47.2 lb | Approx. 21.4 kg | Approx. 21.4 kg | Approx. 21.4 kg | |
| TV with Stand (Standard position) | 22.3 kg | 22.3 kg / 49.2 lb | Approx. 22.3 kg | Approx. 22.3 kg | Approx. 22.3 kg | |
| TV with Stand (Narrow position) | - | - | - | - | - | |
| TV with Stand (Soundbar position) | - | - | - | - | - | |
| TV with Stand (Front/Back position style) | - | - | - | - | - | |
| TV with Floor Stand | - | - | - | - | - | |
| Floor Stand weight (Supply) | - | - | - | - | - | |
| W-M't Br. Weight (Supply) | - | - | - | - | - | |
| Remarks | | | Optional stand | Optional stand | | |

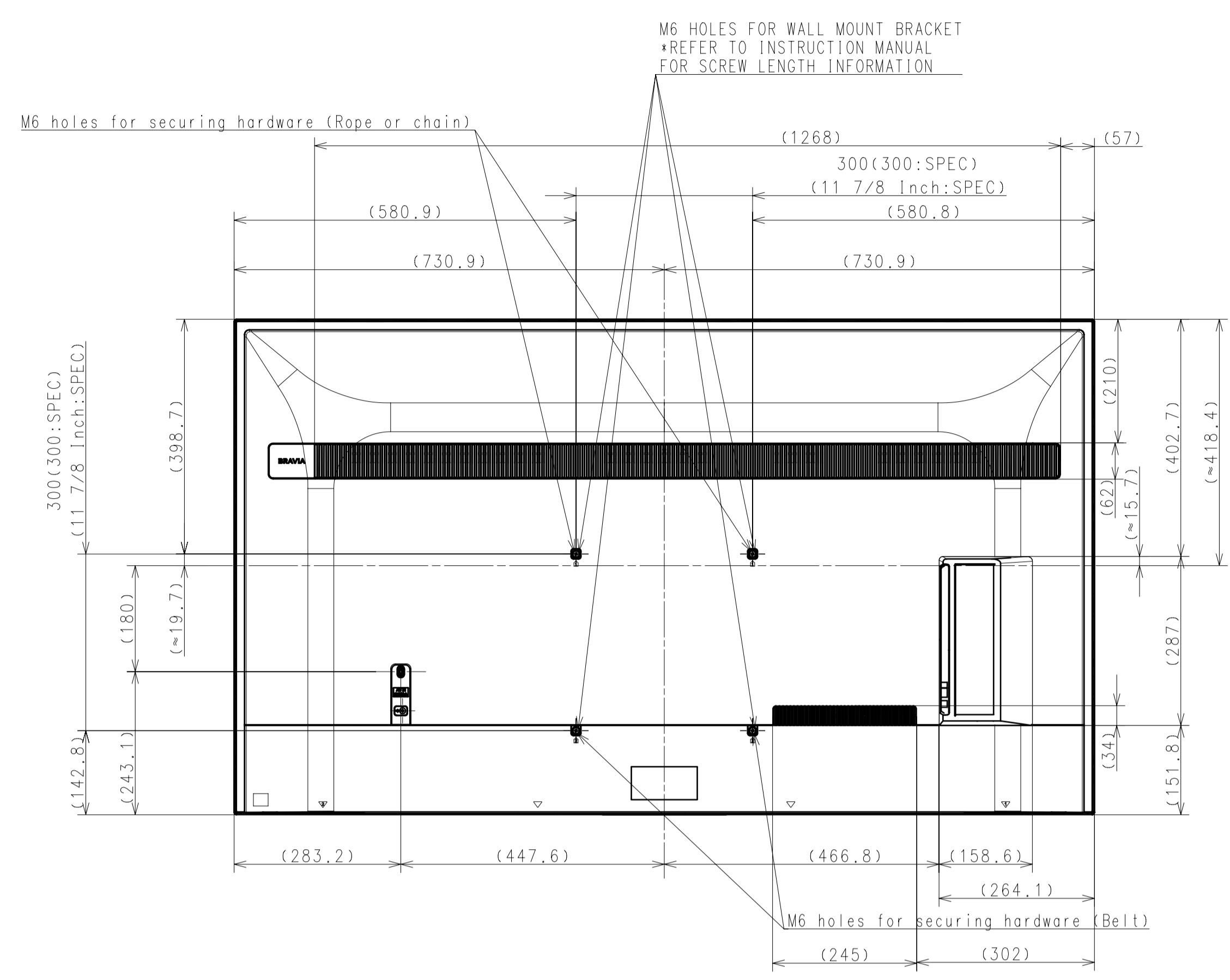
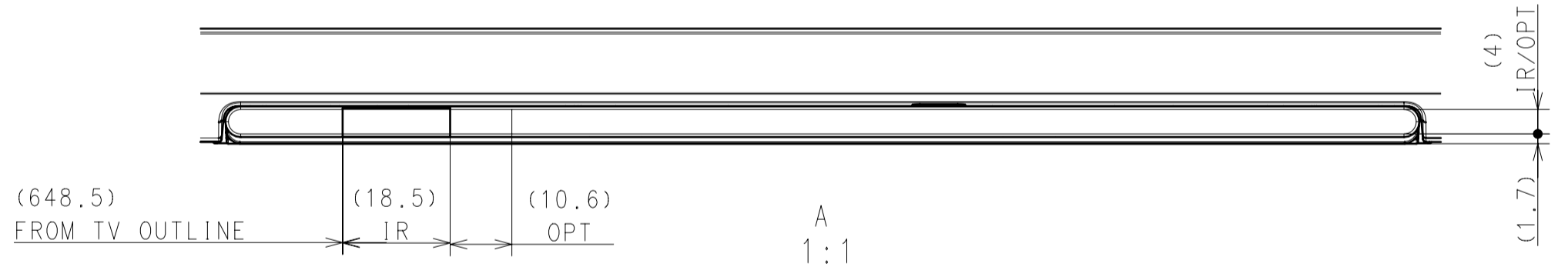
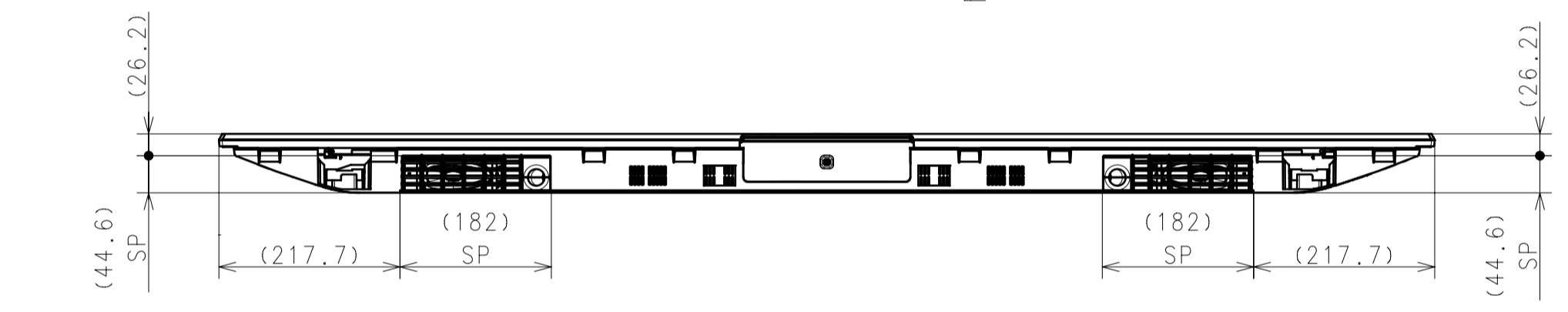
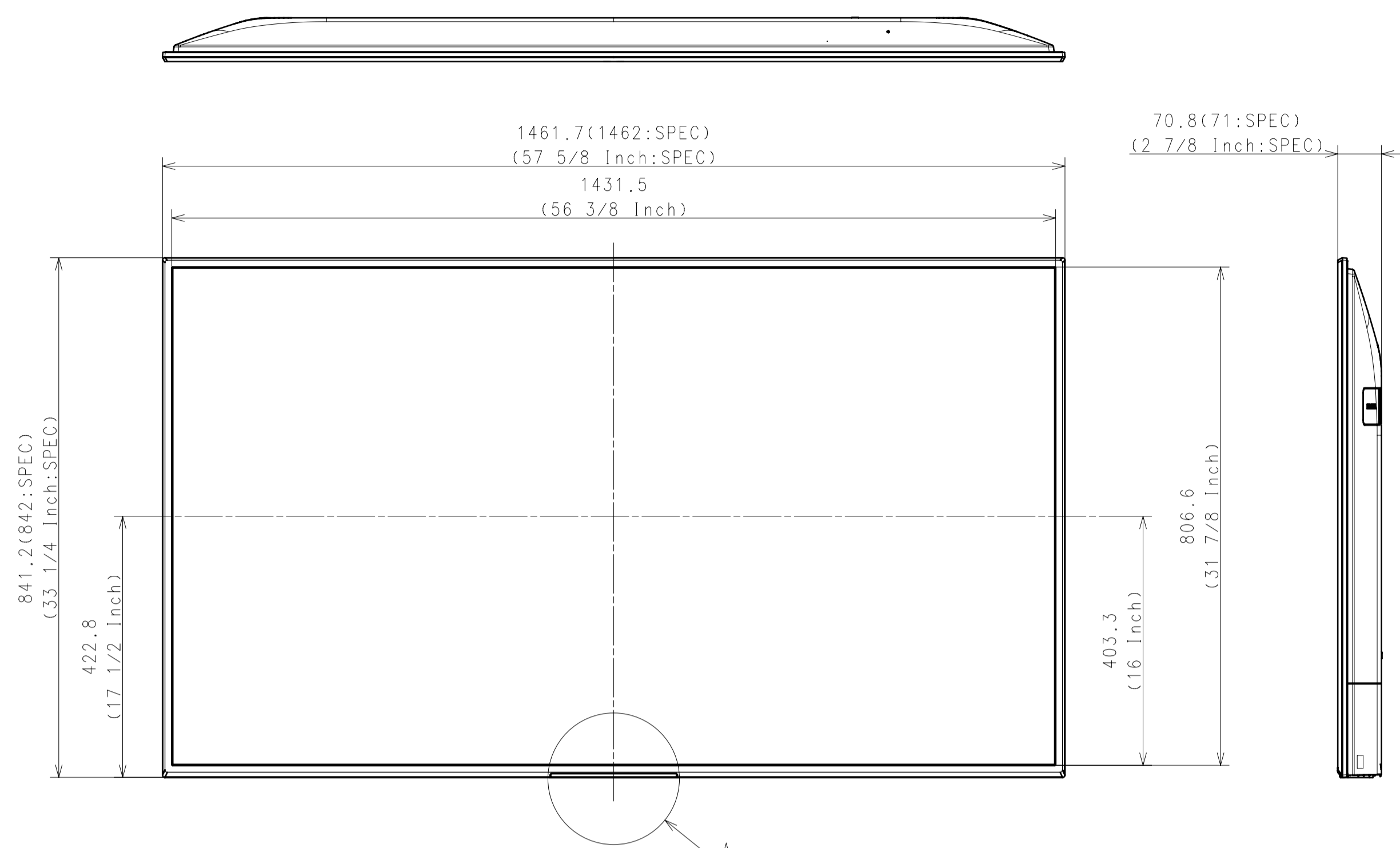
WITH STAND



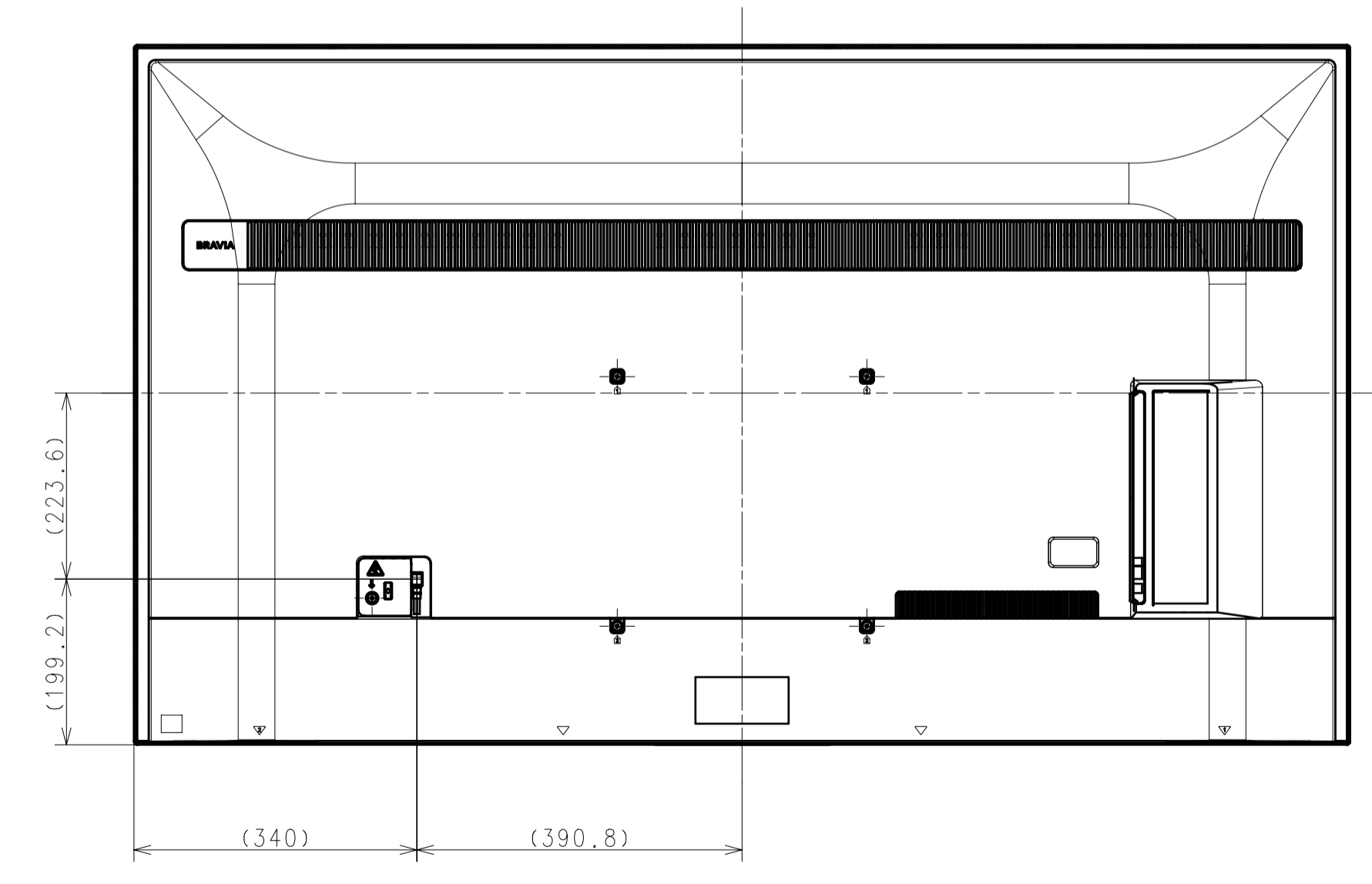
Purchase recycled resins and wire rods only from the business partners that Sony approves as Green Partners.
 再生樹脂・銅線材はグリーンパートナーから調達してください。

| | | | |
|--|--|---|--|
| GENERAL TOLERANCE DATE OF ISSUE 2023.01.05 DOCUMENT TYPE ASSEMBLY DRAWING TOLERANCE (DIMENSIONS) (JIS & ISO/IEC 10105) | | MATERIAL COLOR FINISH COLOR | |
| HISTORY 1. COUNT SUFFIX PREL. NO. REV. DATE RELEASE NO. DATE REVISION SIGN. | | RESPONSIBLE DEPARTMENT 65(BZ40L) EXTERIOR VIEW DRAWN BY 2023.01.05 CHECKED BY 2023.01.05 APPROVED BY SCALE 1:7 TENTATIVE MODEL 65(BZ40L) EXTERIOR VIEW ORIGINAL MODEL DESCRIPTIONS 65(BZ40L) EXTERIOR VIEW SIZE A1 UNIT mm SHEET/PAGES 1/4 | |

WITHOUT STAND



For. NORTH AMERICA, GENERAL AREA, CHINA, EUROPE

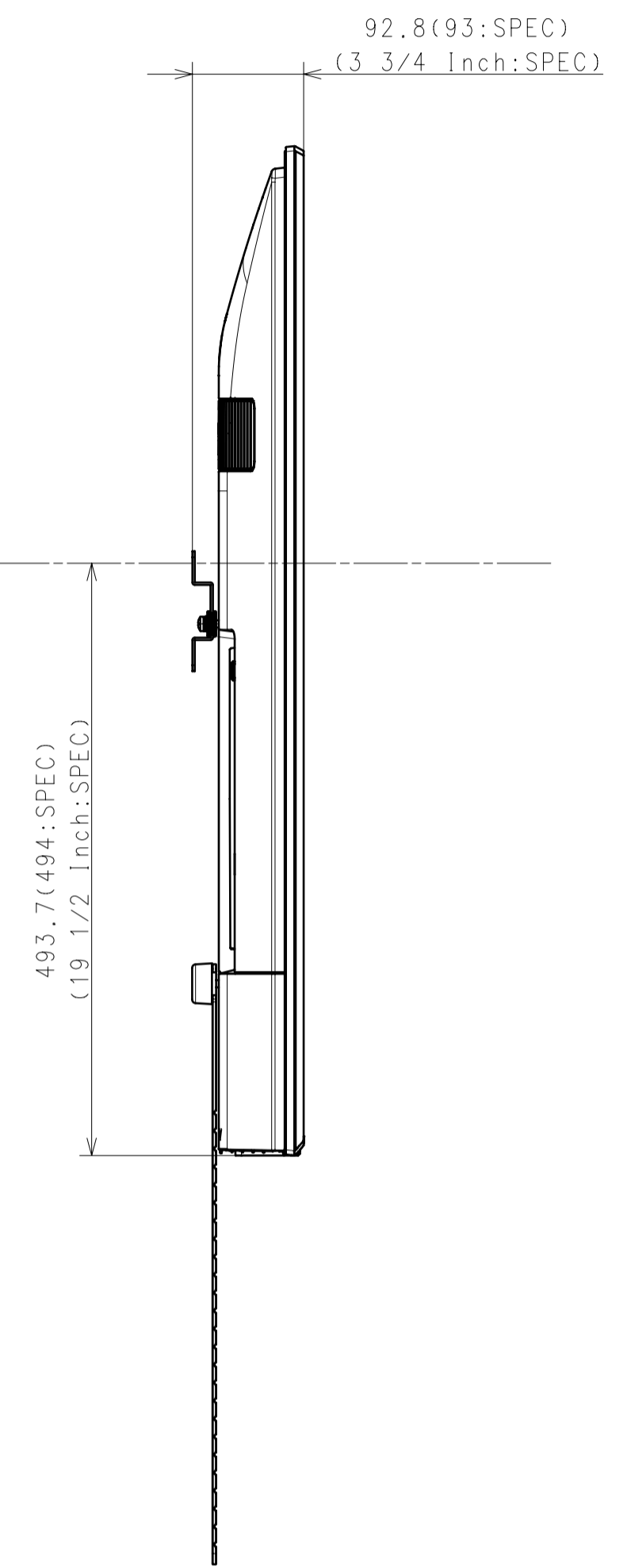
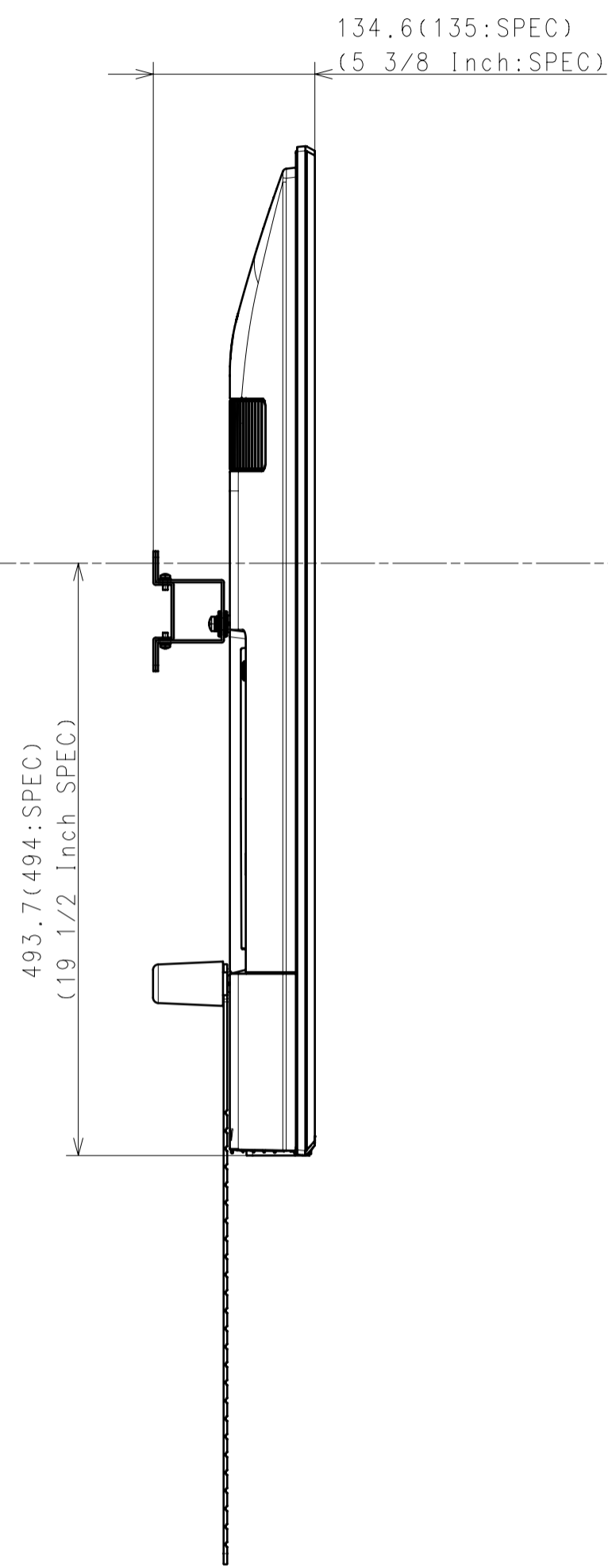
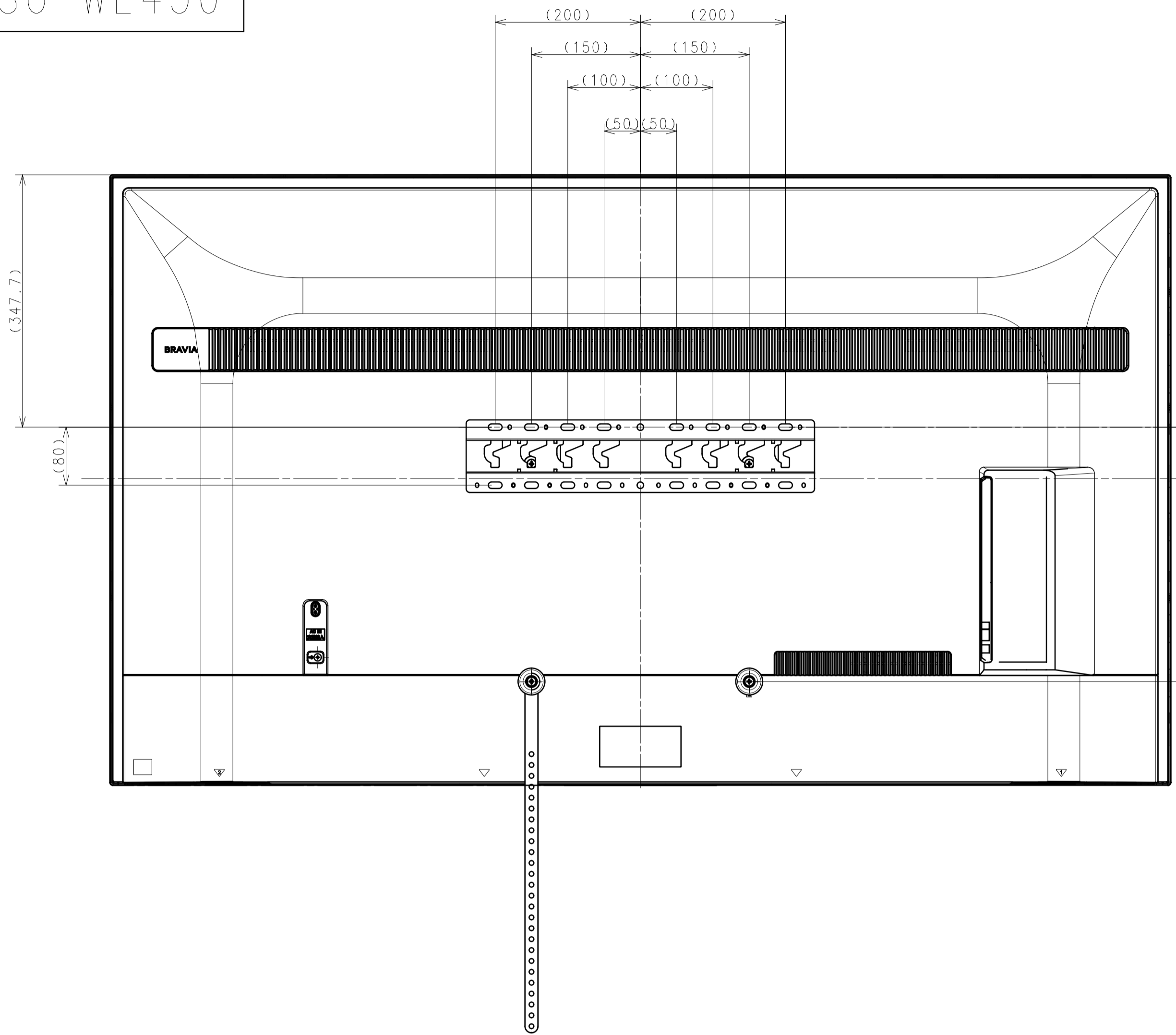


For. JAPAN

SU-WL450

STANDARD

SLIM

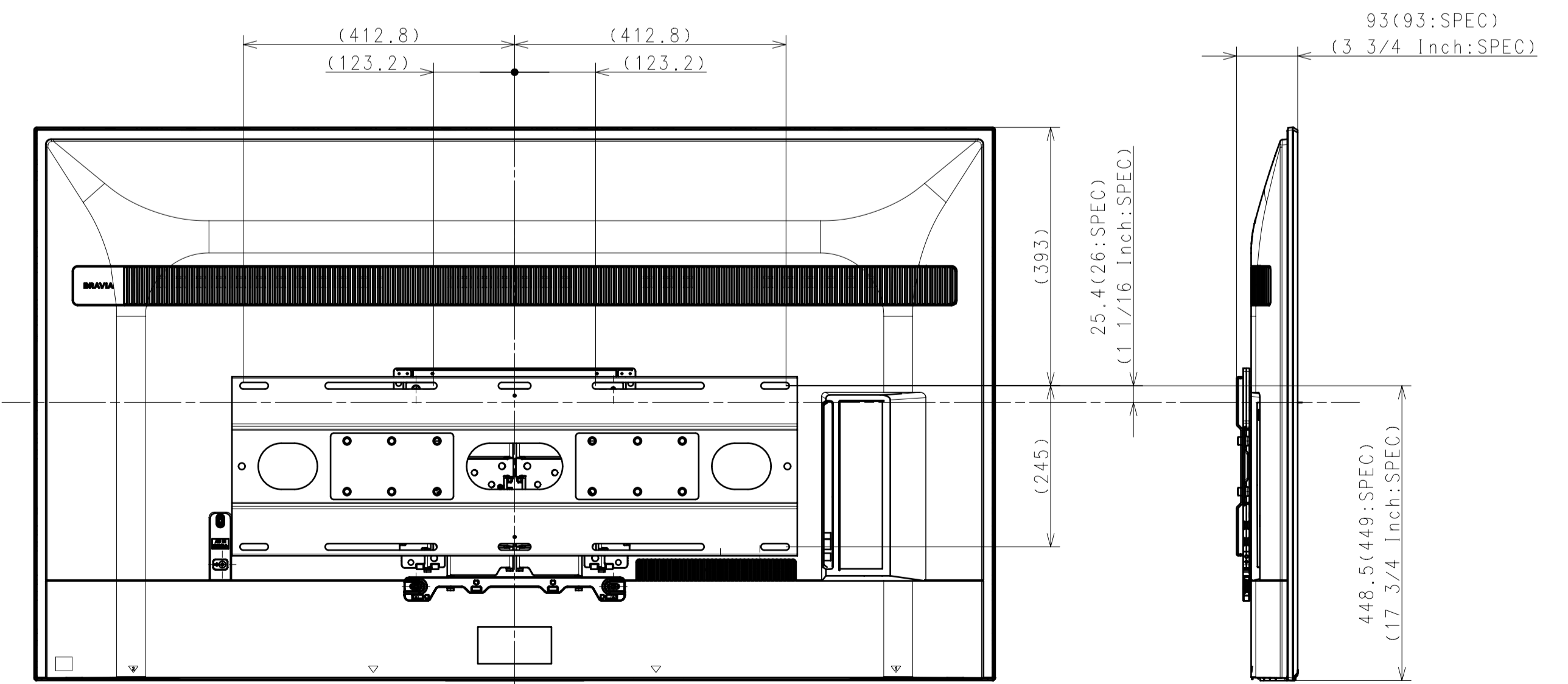
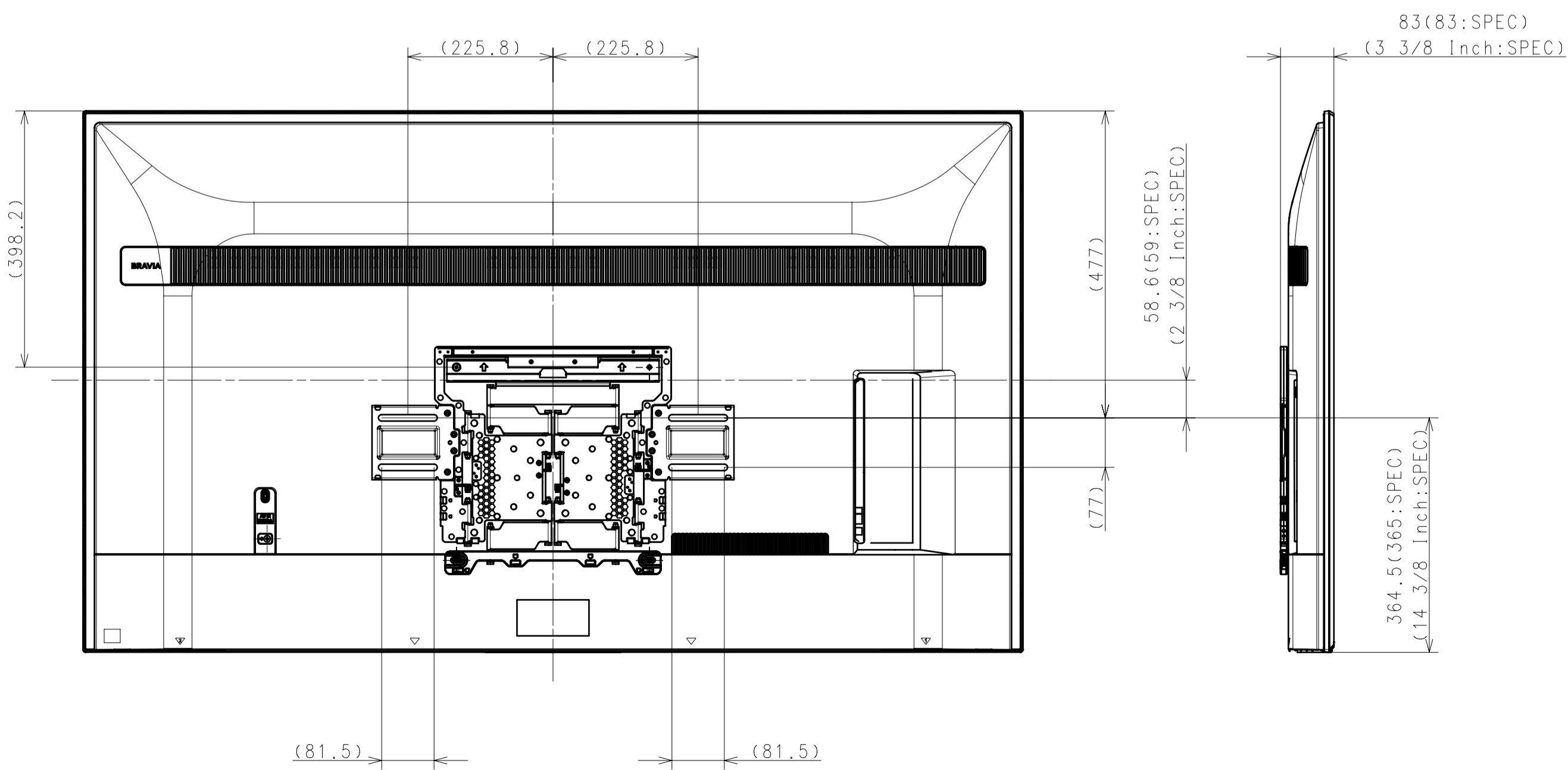
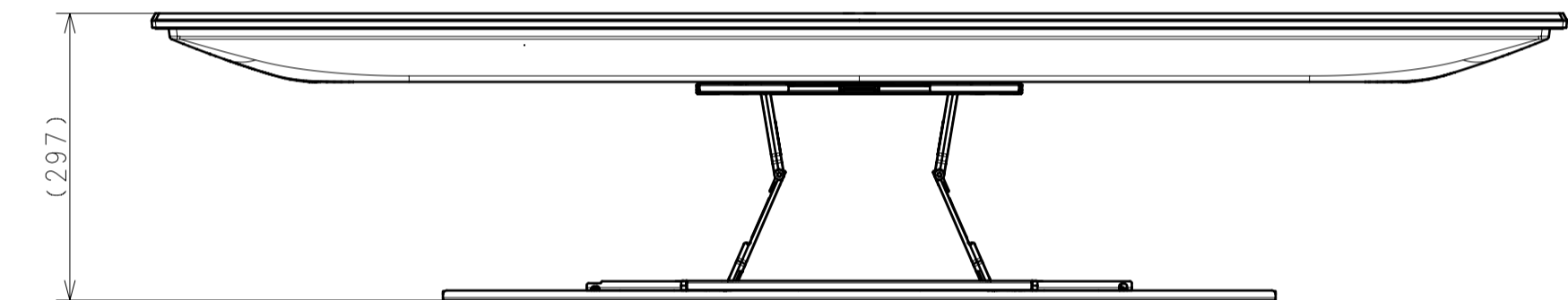
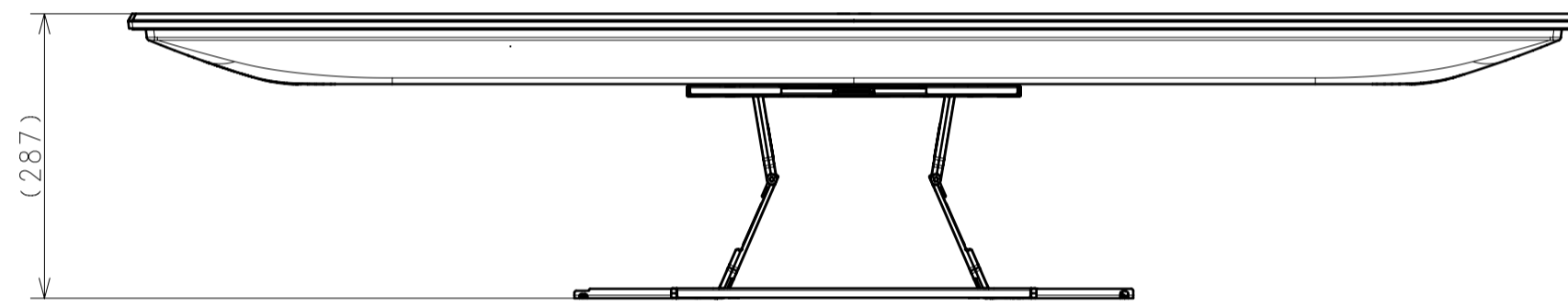
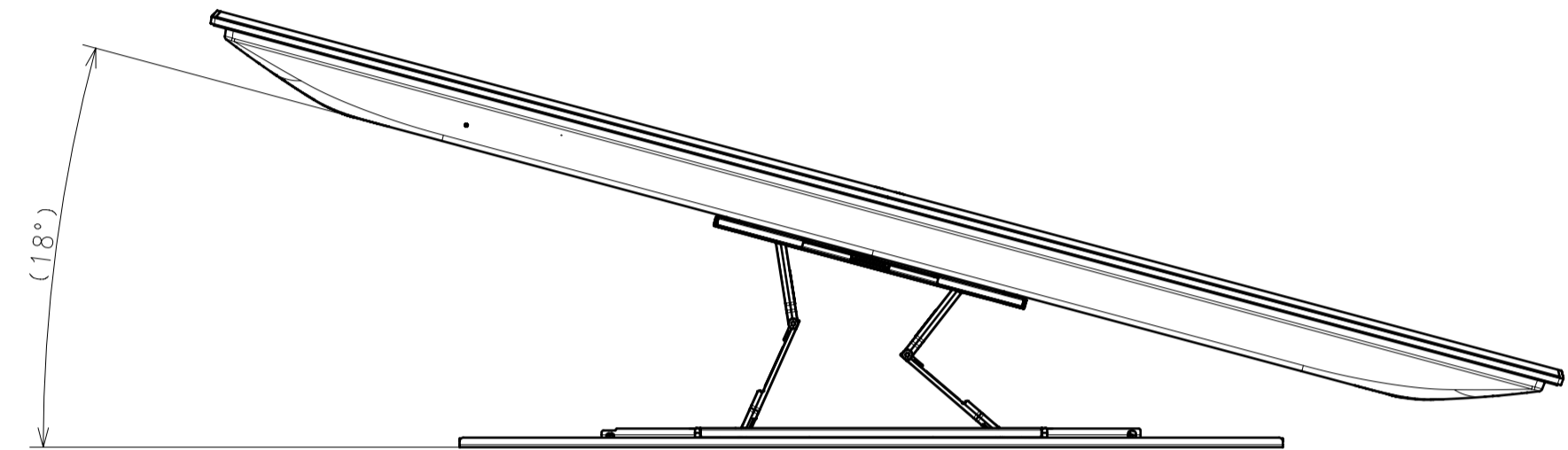
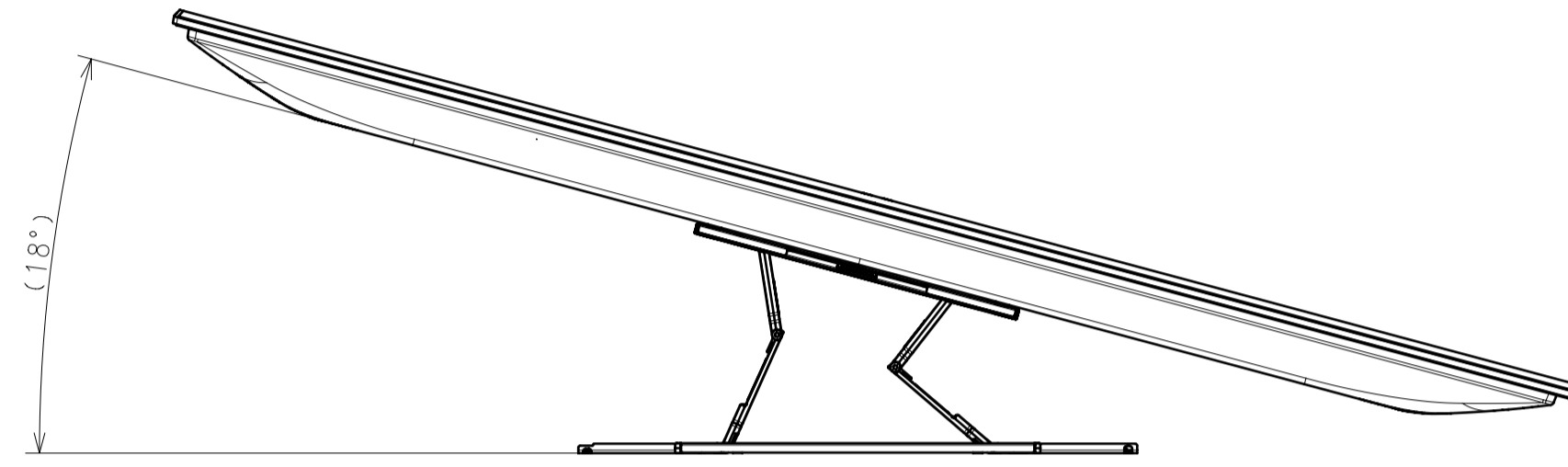
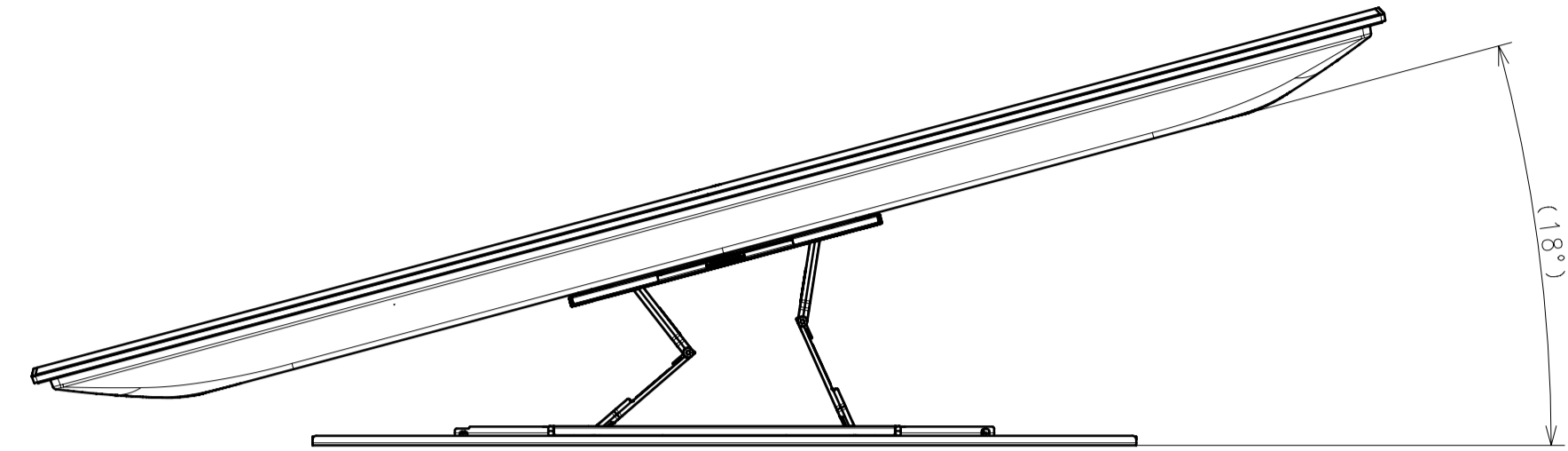
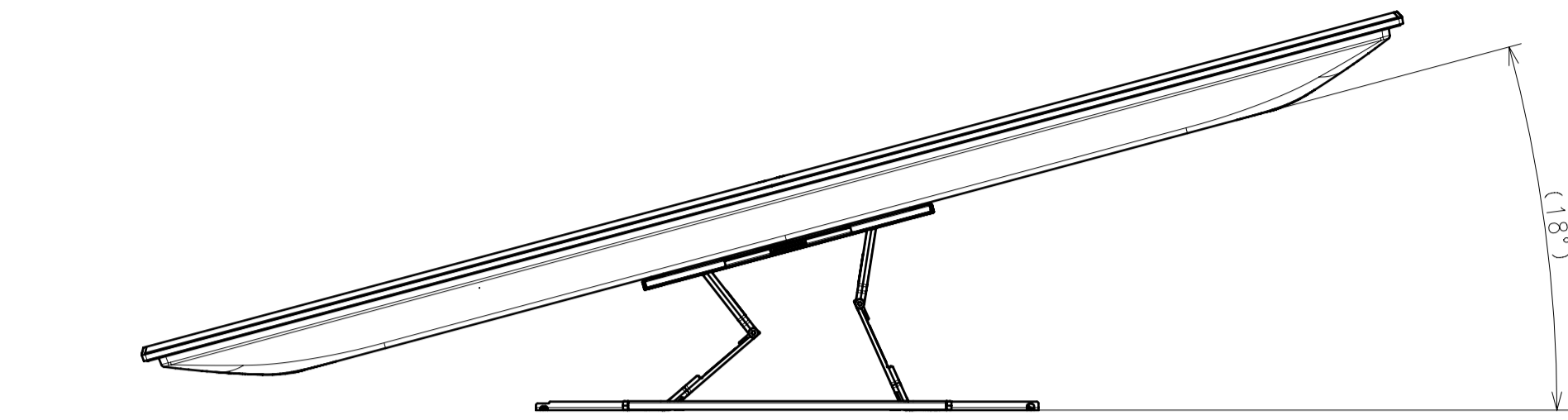


SONY STANDARD

| | | |
|-------------------------|------------------|-------------|
| DESCRIPTION 1 | LEGAL OWNER | SCALE |
| 65(BZ40L) EXTERIOR VIEW | Sony Corporation | 1:5 |
| DESCRIPTION 2 | PART NO. | SHEET/PAGES |
| 65(BZ40L) EXTERIOR VIEW | | 3 / 4 |

SU-WL 850

SU-WL 855 WITH LATERAL SHAFT BRACKET



| | | | | | |
|---------------|-------------------------|-------------|------------------|-------------|-------|
| DESCRIPTION 1 | 65(BZ40L) EXTERIOR VIEW | LEGAL OWNER | Sony Corporation | SCALE | 1:7 |
| DESCRIPTION 2 | 65(BZ40L) EXTERIOR VIEW | PART NO. | | SHEET/PAGES | 4 / 4 |