

FreeSpace® ZA 2120-LZ Zone Amplifier

BOSE

TECHNICAL DATA SHEET



Product Description

The Bose® FreeSpace® ZA 2120-LZ zone amplifier is designed to provide basic amplification and sound system expansion when using front-end Bose products such as FreeSpace® integrated zone amplifiers and ControlSpace® engineered sound processors.

Key Features

- **Reliable 2 x 120 W Class-D amplification** optimized for low-impedance applications.
- **Remote** option for volume control eliminates the need for bulky, inefficient, and sound-altering in-line volume controls.
- **Expansion-ready connectivity** with FreeSpace® IZA amplifiers when additional sources and loudspeaker processing is required.
- **Intuitive feature setup** enables the amplifier to be configured without a PC for output and automatic standby options.
- **Auto-Standby feature** allows the amplifier to consume less power when not in use.
- **Remote muting** allows the amplifier to be muted via a centralized control system.

Applications

Designed for a wide range of applications, including:

- Retail stores
- Restaurants and bars
- Hospitality venues
- Conference centers
- Schools
- Auxiliary zones

FreeSpace® ZA 2120-LZ Zone Amplifier



Technical Specifications

Power Rating	
Amplifier Power	2 x 120 W @ 4 Ω, 2 x 60 W @ 8 Ω
Audio Performance	
Frequency Response	20 Hz - 20 kHz (+0/-3 dB, @ 1 W reference 1 kHz)
THD+N	≤ 0.5 % (at rated power)
Channel Separation (Crosstalk)	≤ -60 dBV (below rated power, 1 kHz)
Dynamic Range	88 dB
Audio Inputs	
Input Channels	1 unbalanced, 1 balanced
Connectors	Stereo RCA, 5-pin Euroblock
Input Range	-10 dBV to +10 dBV
Input Impedance	20 kΩ
Maximum Input Level	+10 dBV
Nominal Input Level	0 dBV
Audio Outputs	
Outputs	2
Connectors	2-pin touch-proof inverted Euroblock
Nominal Output Level	2 x 120 W @ 4 Ω, 2 x 60 W @ 8 Ω
Indicators and Controls	
Power LED	Solid blue indicates power is on, blinking blue indicates standby mode
Input Signal Clip LED	Green indicates input signal is within -39 dBV to 9 dBV, red indicates signal is over 9 dBV
Output Signal Clip LED	Green indicates output signal is within -46 dBFS to -2 dBFS, red indicates signal is over -2 dBFS, approximately 80 W/channel
Controls, Front Panel	Power On/Off
Controls, Rear Panel	Auto Standby: On/Off switch, Output: Stereo/Mono switch, Mute, Output trims, Remote
Electrical	
Mains Voltage	100 VAC - 240 VAC (±10%, 50/60 Hz)
AC Power Consumption	21 W (Standby), 350 W (Max)
Mains Connector	Standard IEC (C14)
Maximum Inrush Current	13.9 Amps (230 VAC / 50 Hz), 7.6 Amps (120 VAC / 60 Hz)
Overload Protection	High temperature, output short, excessively low or high AC line voltage
Physical	
Dimensions	1.7" H x 19.0" W x 12.8" D (44 mm H x 483 mm W x 324 mm D)
Shipping Weight	11.5 lb (5.2 kg)
Net Weight	8.5 lb (3.9 kg)
Cooling System	Single fan, continuous left-to-right air flow
General	
Inputs (Control)	Remote input for Volume Control (PC041966), Mute input control via a normally open contact closure

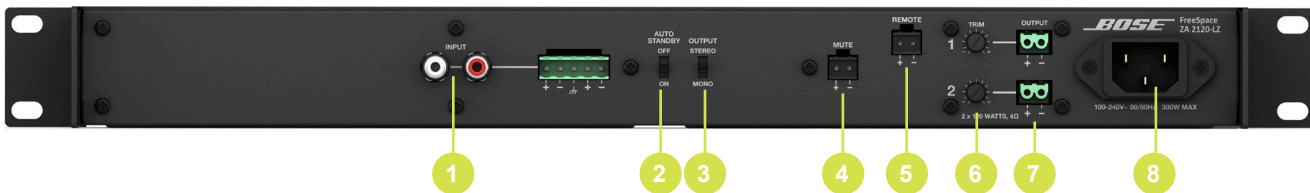
FreeSpace® ZA 2120-LZ Zone Amplifier

BOSE

TECHNICAL DATA SHEET



- 1 **POWER switch** – ON/OFF AC power.
- 2 **Power LED** – Solid blue LED indicates the unit is ON. Blinking blue LED indicates the unit is in standby mode.
- 3 **INPUT SIGNAL LED** – LED is green from -39 dBV to 9 dBV, LED goes red over 9 dBV.
- 4 **OUTPUT LIMIT LED** – LED is green from -46 dBFS to -2 dBFS, LED goes red over -2 dBFS, approximately 80 W/channel.



- 1 **INPUT** – Balanced and unbalanced input connectors.
- 2 **AUTO STANDBY** – The amplifier will go into standby mode after twenty minutes without any input signal. The feature can be enabled (ON) or disabled (OFF).
- 3 **OUTPUT** – The output can be set to either STEREO or MONO mode.
- 4 **MUTE** – Contact closure connection that upon trigger (short) will mute all outputs.
- 5 **REMOTE** – Input for Bose Volume Control (PC 041966).
- 6 **OUTPUT TRIM** – Allows for up to 40 dB attenuation of each loudspeaker output.
- 7 **OUTPUT Connectors** – (2) inverted touch-proof 2-pin Euroblock connectors for loudspeaker connections.
- 8 **AC Mains receptacle** – AC line voltage input.

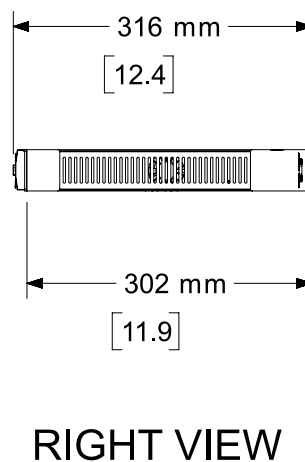
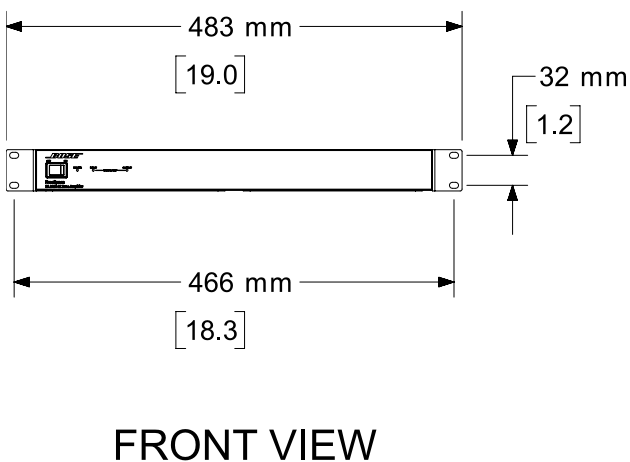
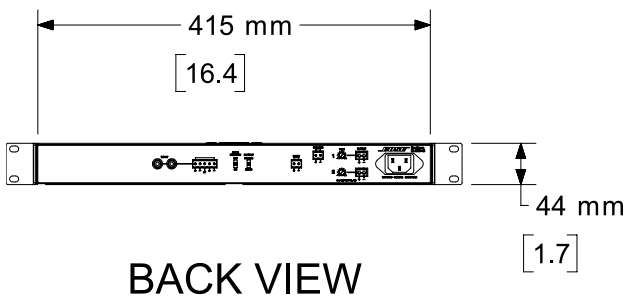
FreeSpace® ZA 2120-LZ Zone Amplifier



AC Current Draw and Thermal Dissipation Information

Test Signal & Power Level	Load Configuration (Both IZA channels driven)	Total Audio Output, W	120VAC 60Hz. Line Current, A	230VAC 50Hz. Line Current, A	Thermal Dissipation, Max		
					Watts	BTU/hr.	kCal/hr.
Power On, Idling		0	0.13	0.12	28	96	24
1/8th Rated Power IEC65 Bandlimited Pink Noise	8 Ω / Ch	15	0.18	0.14	32	109	28
6dB Crest Factor DS 16 EQ Enabled	4 Ω / Ch	30	0.50	0.27	62	212	53
1/3rd Rated Power IEC65 Bandlimited Pink Noise	8 Ω / Ch	40	0.24	0.17	39	133	34
6dB Crest Factor DS 16 EQ Enabled	4 Ω / Ch	80	1.00	0.55	127	433	109

Mechanical Diagrams



FreeSpace® ZA 2120-LZ Zone Amplifier



Architects' and Engineers' Specifications

The amplifier shall employ Class-D amplification topology. The amplifier shall incorporate a switch-mode power supply allowing normal operation from AC outlets ranging from 100 – 240 V ($\pm 10\%$) at 50/60 Hz. The amplifier shall have an IEC 320-C14 electrical power inlet and shall be equipped with a removable power supply cord. A power switch shall be located on the front panel. The product shall include protection from shorted loads and general overheating. The amplifier's physical size shall be 1 RU in height by 1 RU in width and be capable of rack mounting. The product shall have venting with a single fan, continuous left-to-right airflow. Each output channel shall have output trim controls.

The amplifier shall have two output channels with a frequency response of 20 Hz to 20 kHz ($+0/-3$ dB) and drive 4 ohm loads at 120 watts per channel or 60 watts per channel into 8 ohm loads. The amplifier shall have THD+N at rated power less than or equal to 0.5%. Output connections shall be made via two 2-pin touch-proof Euroblock connectors.

The amplifier shall meet or exceed the following performance specifications: channel separation (crosstalk) less than or equal to -60 dB below rated power at 1 kHz and dynamic range of 88 dB. The amplifier shall have 1 line-level input and 1 remote control input. Three LEDs shall be visible on the front panel – one (blue) for power/standby indication, the second (red) for input level over 9 dBV, and the third (red) for output level over -2 dBFS.

The amplifier shall have a remote control input intended for use with the Bose Volume control user interface or third party 10k ohm linear taper potentiometers. The amplifier shall offer a master mute connection for use with external dry contacts to mute output of the amplifier. The rear panel shall contain a stereo/mono switch that allows optimization of the amplifier output.

The amplifier chassis shall be constructed of painted steel. The dimensions of the amplifier shall allow for 19-inch (483 mm) EIA standard rack mounting. The amplifier shall be 1.7 inches (44 mm) in height, 19.0 inches (483 mm) in width and 12.8 inches (324 mm) in depth. The amplifier chassis shall weigh 8.5 pounds (3.9 kg). The amplifier shall be the Bose FreeSpace ZA 2120-LZ zone amplifier.

Safety and Regulatory Compliance

The FreeSpace ZA 2120-LZ zone amplifier complies with CE requirements and is UL listed according to UL60065 (7th edition) and CAN/CSA C22.2 No. 60065-03; CB approved, according to IEC60065 (7th edition), including group and national differences. This model also complies with FCC Part 15B Class A (2003), EN55103-1 (1997), EN55103-2 (1996), and CISPR13 (2003) requirements.

Product Codes

FreeSpace ZA 2120-LZ integrated zone amplifier

120V – US	722196-1420
230V – EU	722196-2420
100V – Japan	722196-3420
230V – UK	722196-4420
240V – AU	722196-5420

Accessories

Volume control user interface (PC-041966)