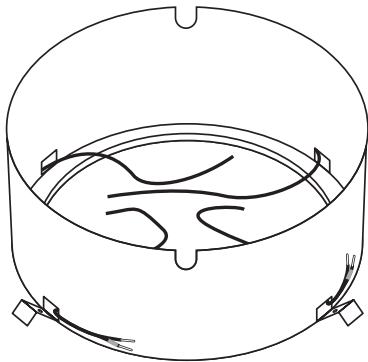
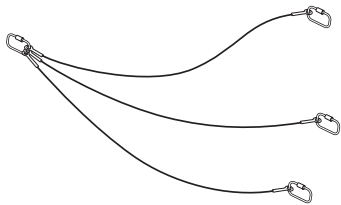


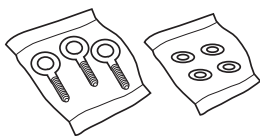
Carton Contents



Cover with wires



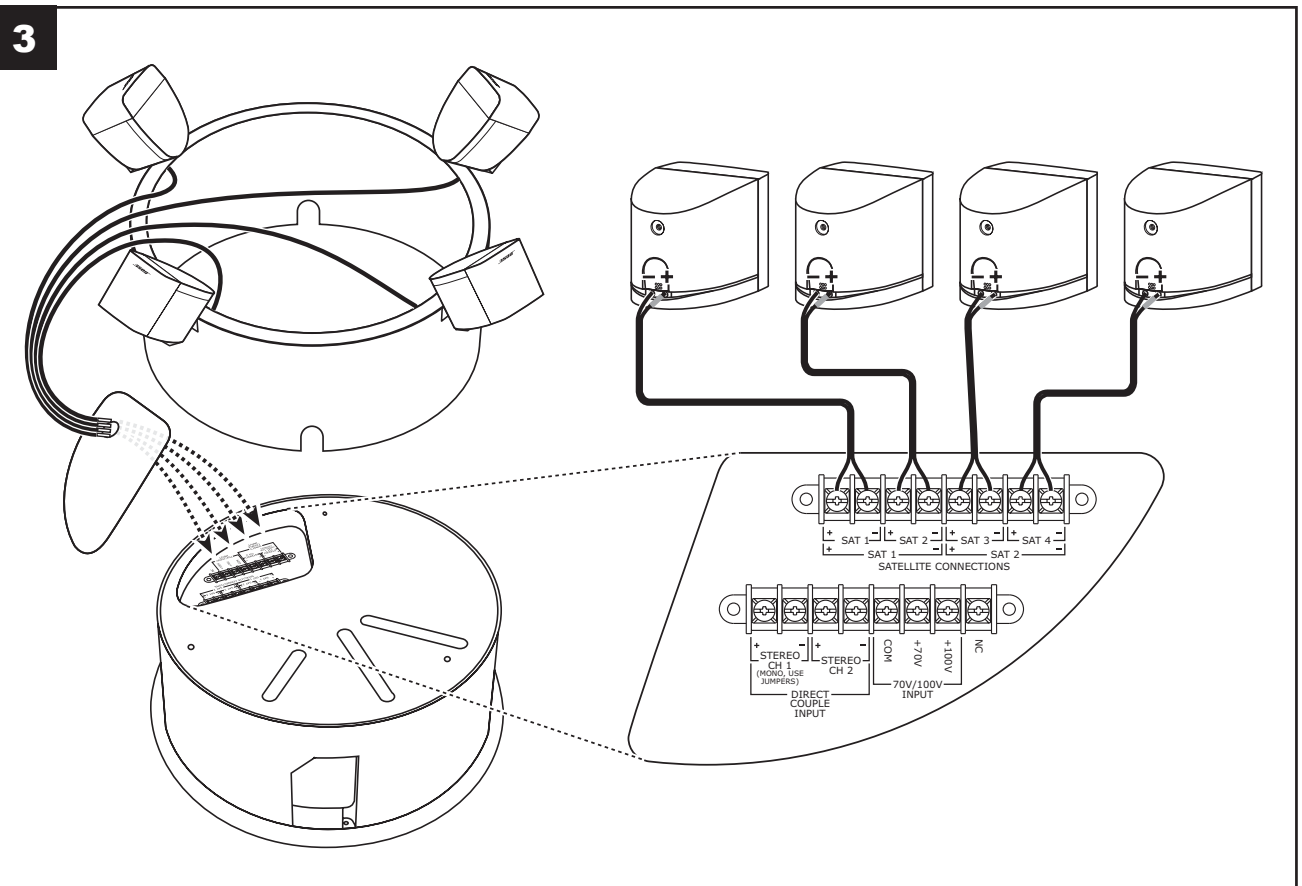
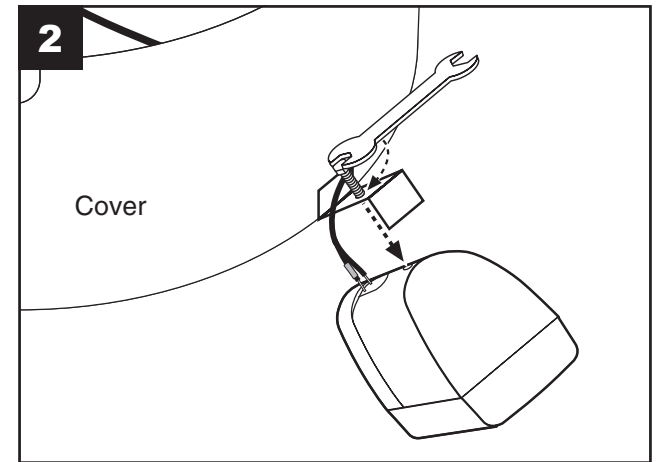
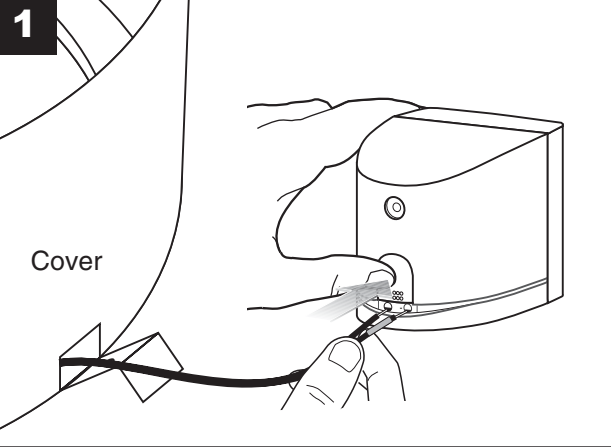
Suspension cables



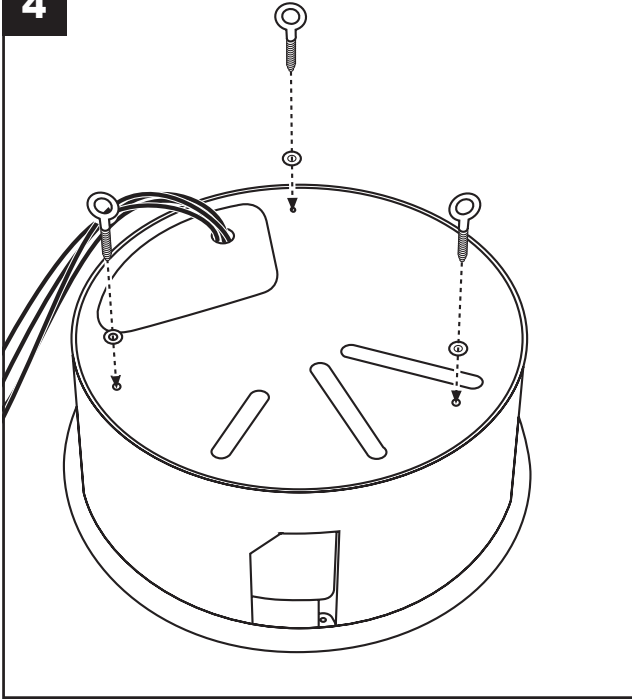
Eye screws (3) and washers (4)



Hex-head screws (4)

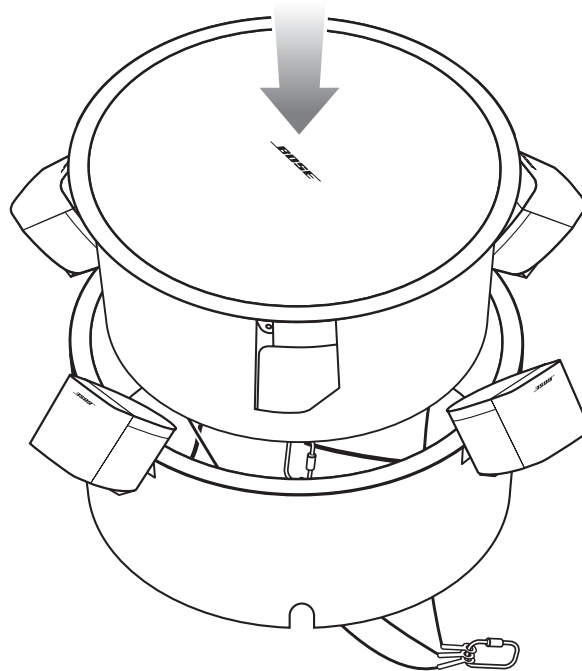


4



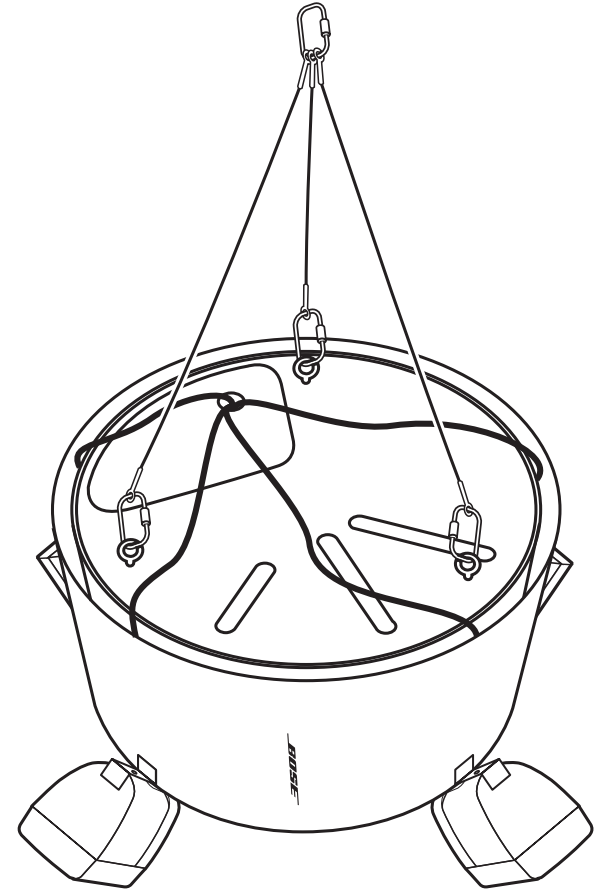
6

Invert the bass module and push the bass module fully into the sleeve.



7

The FreeSpace® 3 bass module is now ready for installation. Refer to the FreeSpace® 3 installation guide for wiring and transformer tap instructions.



5

Install the suspension cable to the screw eyes.

