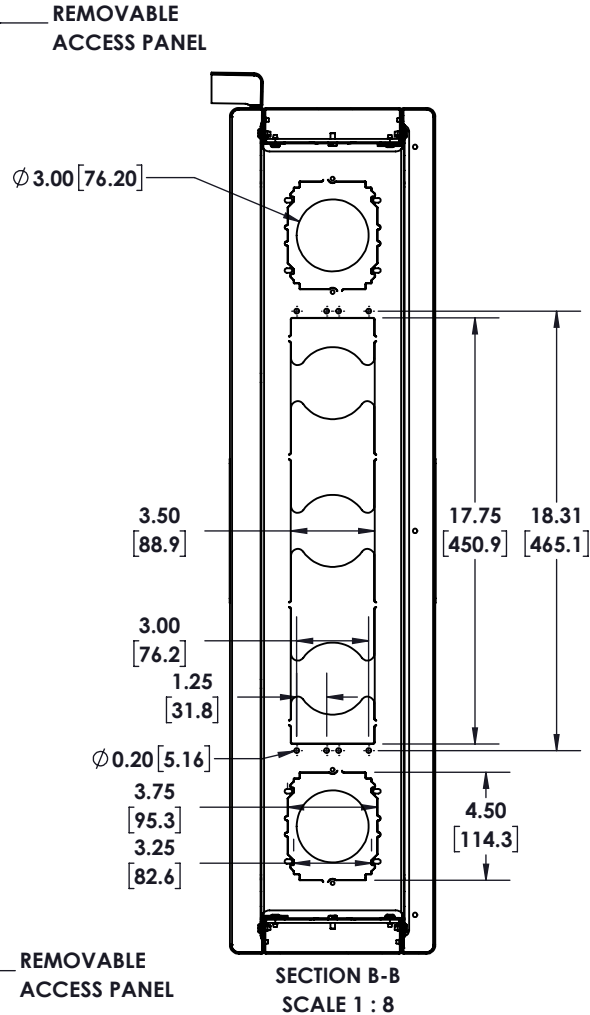
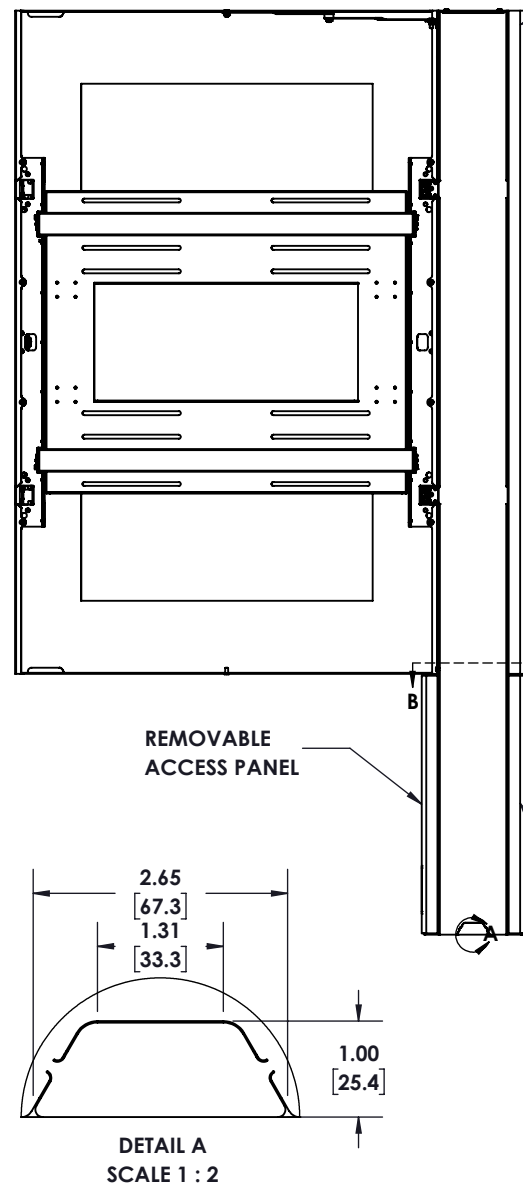
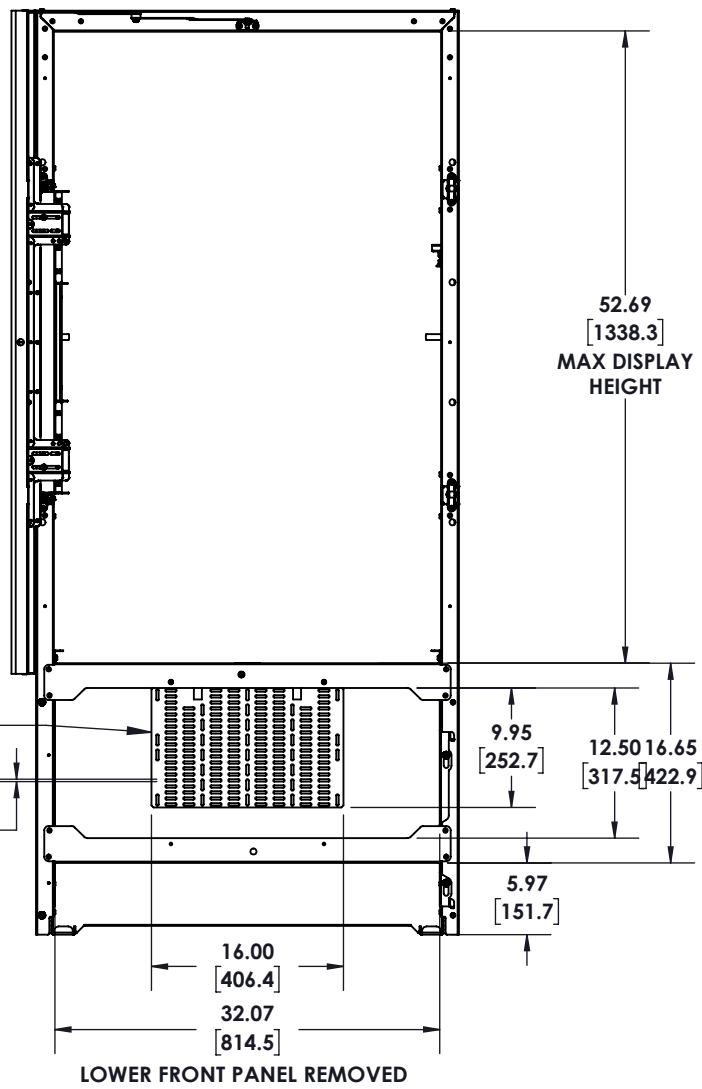
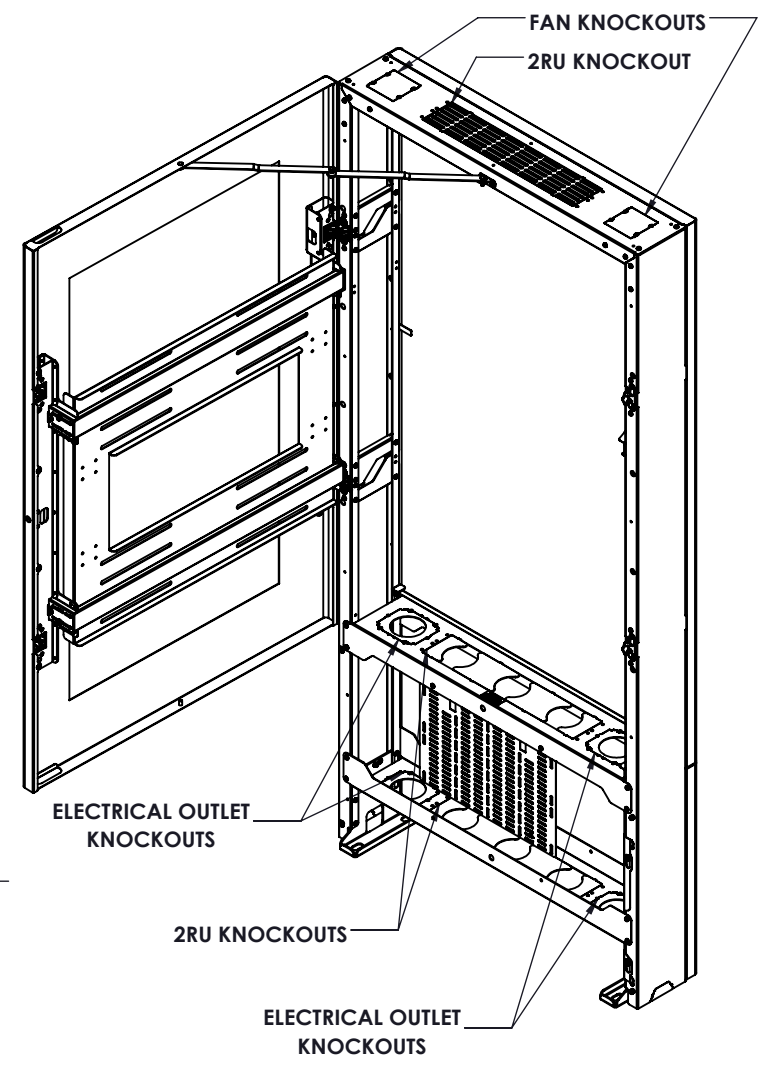
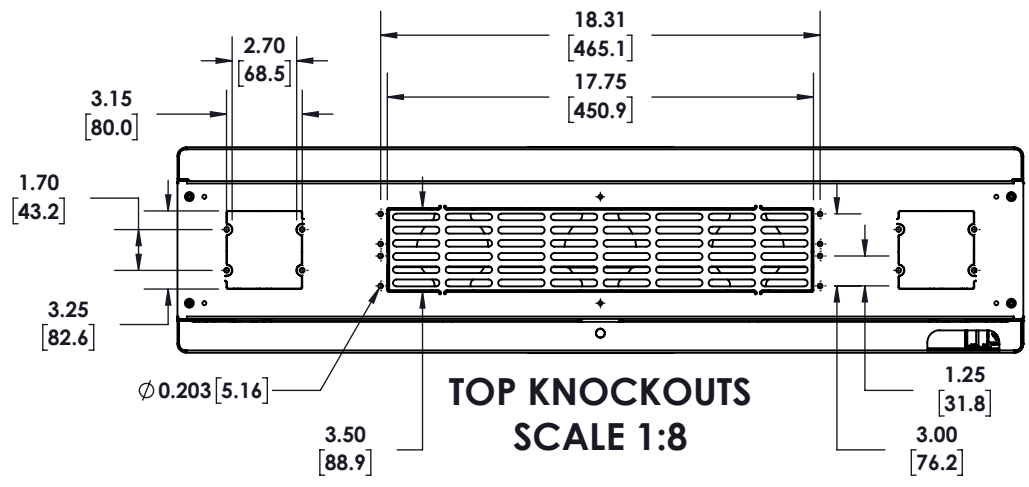
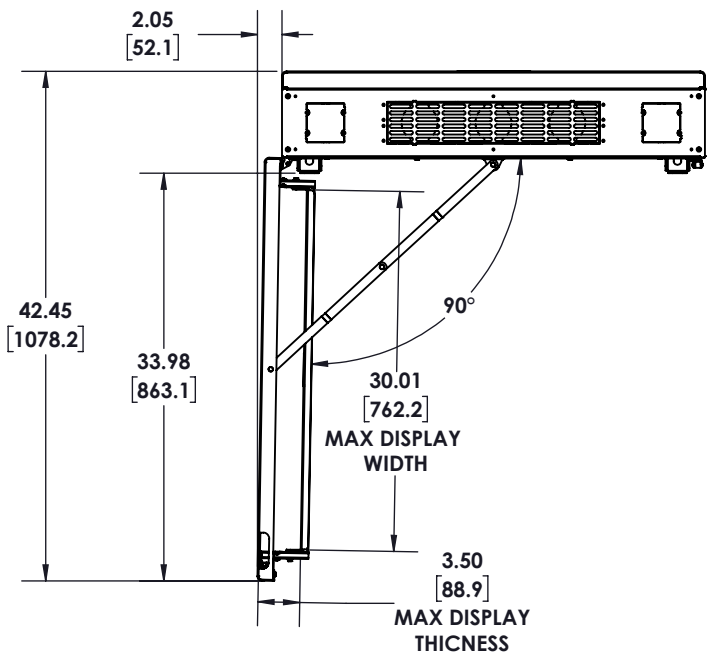


THE INFORMATION AND DESIGNS CONTAINED IN THIS DRAWING ARE CONFIDENTIAL AND THE PROPRIETARY PROPERTY OF MILESTONE AV TECHNOLOGIES NEITHER THIS DESIGN NOR ANY INFORMATION CONTAINED IN THIS DRAWING MAY BE REPRODUCED OR DISCLOSED TO OTHERS WITHOUT THE EXPRESS WRITTEN CONSENT OF MILESTONE AV TECHNOLOGIES.

CAD GENERATED DRAWING, DO NOT MANUALLY UPDATE.			CHIEF		6436 CITY WEST PKWY EDEN PRAIRIE MN, 55344 PHONE: 866-977-3901 FAX: 877-894-6918	
DRAWN BY	MJS	4/5/2019	DESCRIPTION LF50UxP, 50" PORTRAIT FLOOR KIOSK			
ENG APPROVAL			MODEL NO. LF50UxP			
MFG APPROVAL			SCALE 1:14			
QA APPROVAL			SIZE B	DWG. NO. TECH-000985	REV. 00	
SHEET 1 OF 2						



THE INFORMATION AND DESIGNS CONTAINED IN THIS DRAWING ARE CONFIDENTIAL AND THE PROPRIETARY PROPERTY OF MILESTONE AV TECHNOLOGIES NEITHER THIS DESIGN NOR ANY INFORMATION CONTAINED IN THIS DRAWING MAY BE REPRODUCED OR DISCLOSED TO OTHERS WITHOUT THE EXPRESS WRITTEN CONSENT OF MILESTONE AV TECHNOLOGIES.

CAD GENERATED DRAWING, DO NOT MANUALLY UPDATE.		CHIEF 6436 CITY WEST PKWY EDEN PRAIRIE MN, 55344 PHONE: 866-977-3901 FAX: 877-894-6918
DRAWN BY	MJS 4/5/2019	
ENG APPROVAL		DESCRIPTION LF50UxP, 50" PORTRAIT FLOOR KIOSK
MFG APPROVAL		MODEL NO. LF50UxP
QA APPROVAL		SCALE 1:16
SHEET 2 OF 2		SIZE B
		DWG. NO. TECH-000985
		REV. 00