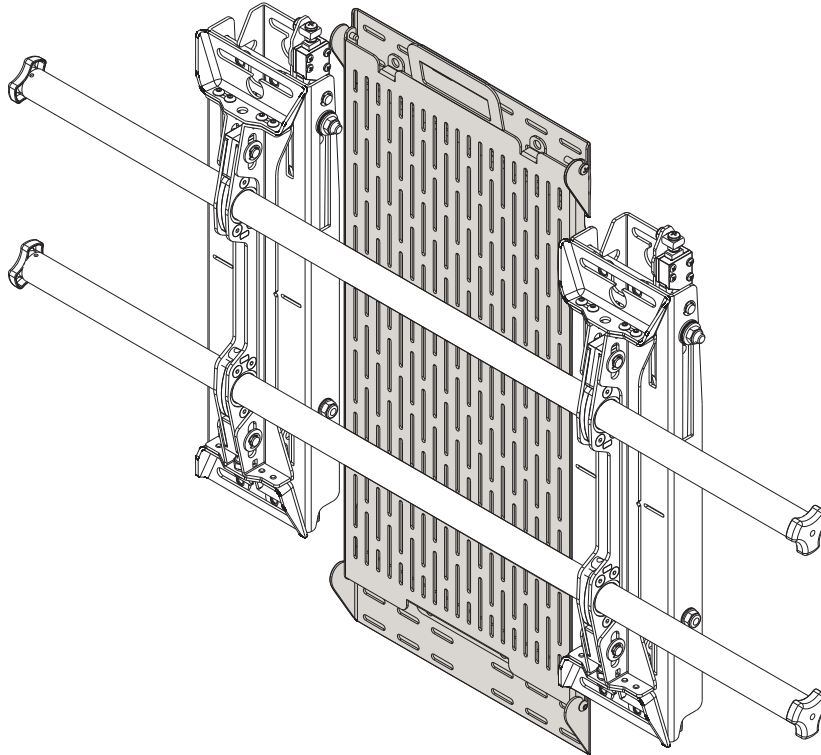

INSTALLATION INSTRUCTIONS



(CSPR with Fusion wall mount and FCAV1U accessory)

Component Storage Panel

DISCLAIMER

Milestone AV Technologies and its affiliated corporations and subsidiaries (collectively "Milestone"), intend to make this manual accurate and complete. However, Milestone makes no claim that the information contained herein covers all details, conditions or variations, nor does it provide for every possible contingency in connection with the installation or use of this product. The information contained in this document is subject to change without notice or obligation of any kind. Milestone makes no representation of warranty, expressed or implied, regarding the information contained herein. Milestone assumes no responsibility for accuracy, completeness or sufficiency of the information contained in this document.

Chief® is a registered trademark of Milestone AV Technologies. All rights reserved.

DEFINITIONS

MOUNTING SYSTEM: A MOUNTING SYSTEM is the primary Chief product to which an accessory and/or component is attached.

ACCESSORY: AN ACCESSORY is the secondary Chief product which is attached to a primary Chief product, and may have a component attached or setting on it.

COMPONENT: A COMPONENT is an audiovisual item designed to be attached or resting on an accessory or mounting system such as a video camera, CPU, screen, display, projector, etc.



WARNING: A WARNING alerts you to the possibility of serious injury or death if you do not follow the instructions.



CAUTION: A CAUTION alerts you to the possibility of damage or destruction of equipment if you do not follow the corresponding instructions.



IMPORTANT SAFETY INSTRUCTIONS



WARNING: Failure to read, thoroughly understand, and follow all instructions can result in serious personal injury, damage to equipment, or voiding of factory warranty! It is the installer's responsibility to make sure all accessories are properly assembled and installed using the instructions provided.



WARNING: Failure to provide adequate structural strength for this accessory can result in serious personal injury or damage to equipment! It is the installer's responsibility to make sure the structure to which this accessory is attached can support five times the combined weight of all equipment. Reinforce the structure as required before installing the accessory. The wall to which the accessory is being attached may have a maximum drywall thickness of 5/8" (1.6cm). Do not install drywall anchors into the seam between drywall pieces.



WARNING: Exceeding the weight capacity can result in serious personal injury or damage to equipment! It is the installer's responsibility to make sure the combined weight of all components attached to this accessory does not exceed 20 lbs (9.07 kg).



WARNING: Use this accessory only for its intended use as described in these instructions. Do not use attachments not recommended by the manufacturer.



WARNING: Never operate this accessory if it is damaged. Return the accessory to a service center for examination and repair.



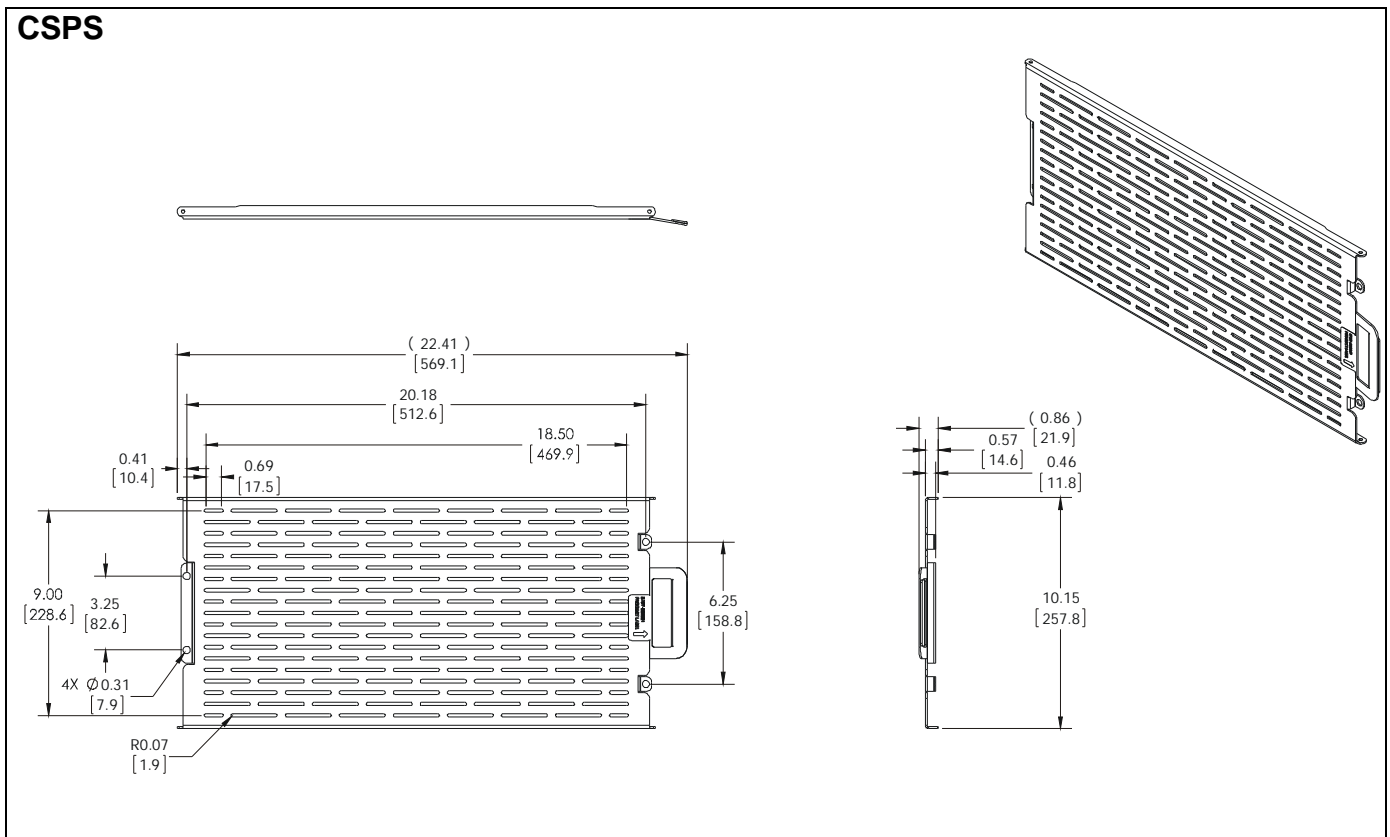
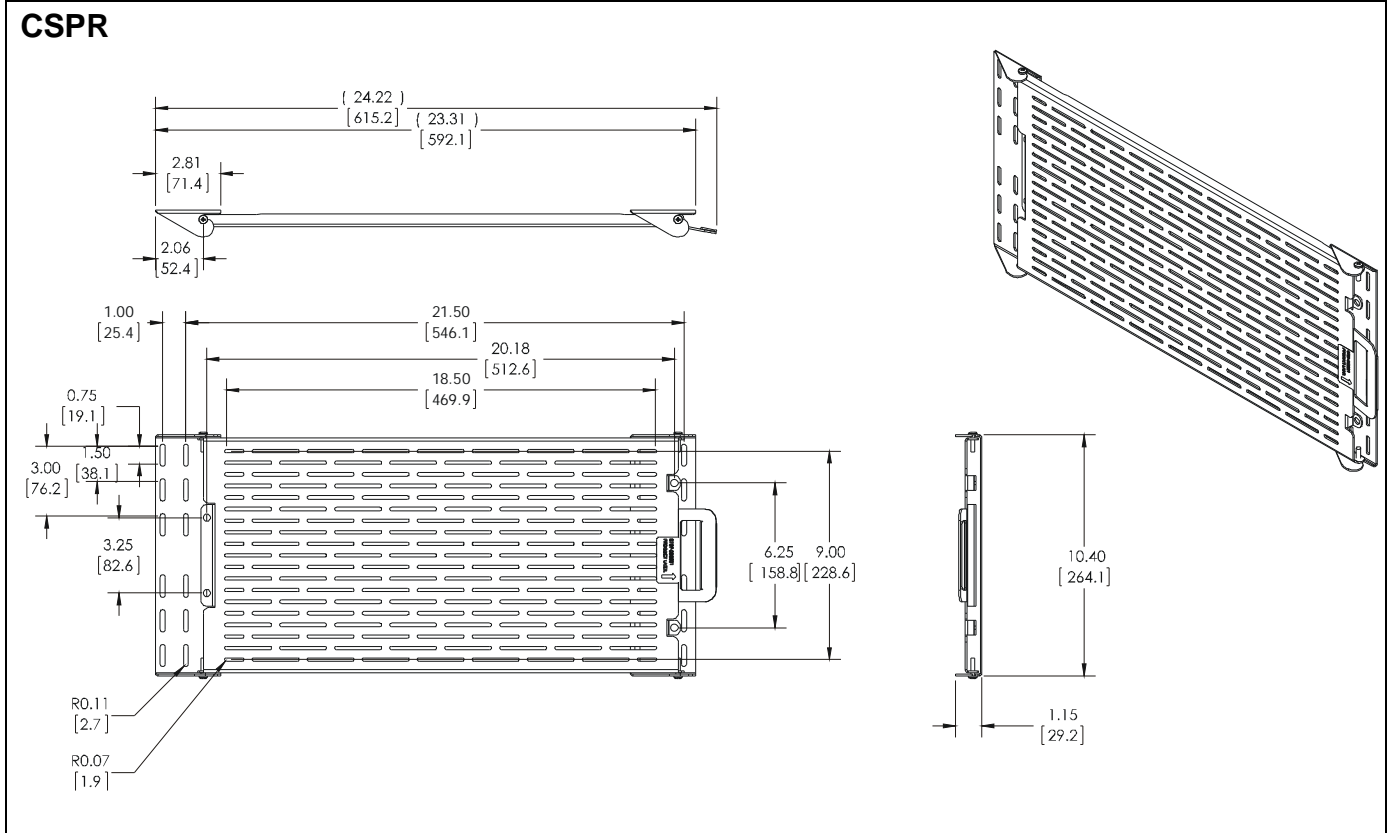
WARNING: Do not use this accessory outdoors.



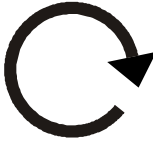




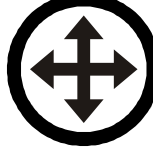






WARNING: RISK OF INJURY TO PERSONS! Do not use this accessory to support video equipment such as televisions or computer monitors.

--SAVE THESE INSTRUCTIONS--

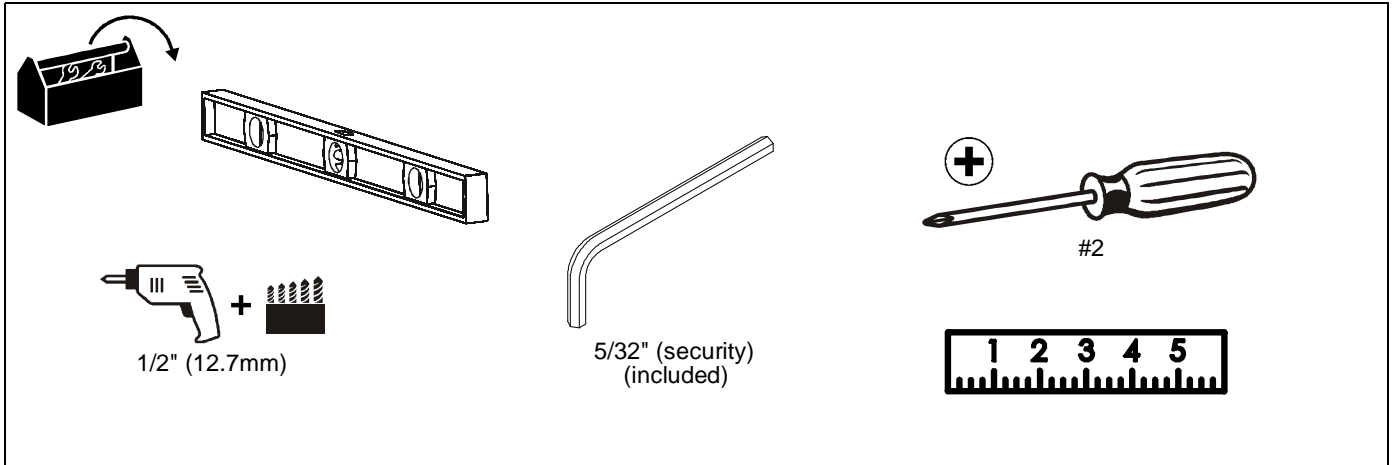
DIMENSIONS



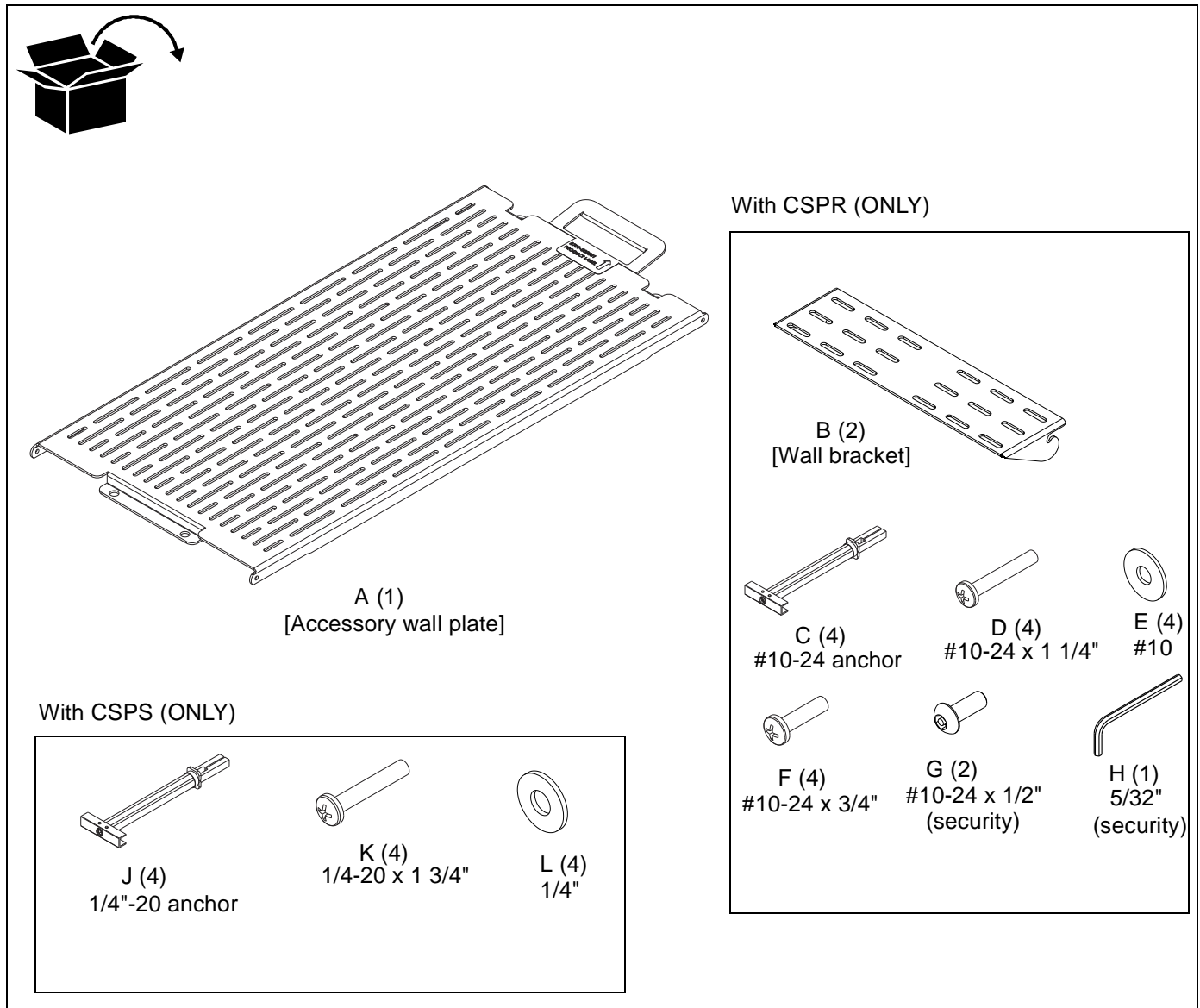
LEGEND

	<p>Tighten Fastener</p> <p>Apretar elemento de fijación</p> <p>Befestigungsteil festziehen</p> <p>Apertar fixador</p> <p>Serrare il fissaggio</p> <p>Bevestiging vastdraaien</p> <p>Serrez les fixations</p>		<p>Pencil Mark</p> <p>Marcar con lápiz</p> <p>Stiftmarkierung</p> <p>Marcar com lápis</p> <p>Segno a matita</p> <p>Potloodmerkteken</p> <p>Marquage au crayon</p>
	<p>Loosen Fastener</p> <p>Aflojar elemento de fijación</p> <p>Befestigungsteil lösen</p> <p>Desapertar fixador</p> <p>Allentare il fissaggio</p> <p>Bevestiging losdraaien</p> <p>Desserrez les fixations</p>		<p>Drill Hole</p> <p>Perforar</p> <p>Bohrloch</p> <p>Fazer furo</p> <p>Praticare un foro</p> <p>Gat boren</p> <p>Percez un trou</p>
	<p>Phillips Screwdriver</p> <p>Destornillador Phillips</p> <p>Kreuzschlitzschraubendreher</p> <p>Chave de fendas Phillips</p> <p>Cacciavite a stella</p> <p>Kruiskopschroevendraaier</p> <p>Tournevis à pointe cruciforme</p>		<p>Adjust</p> <p>Ajustar</p> <p>Einstellen</p> <p>Ajustar</p> <p>Regolare</p> <p>Afstellen</p> <p>Ajuster</p>
	<p>Open-Ended Wrench</p> <p>Llave de boca</p> <p>Gabelschlüssel</p> <p>Chave de bocas</p> <p>Chiave a punte aperte</p> <p>Steeksleutel</p> <p>Clé à fourche</p>		<p>Remove</p> <p>Quitar</p> <p>Entfernen</p> <p>Remover</p> <p>Rimuovere</p> <p>Verwijderen</p> <p>Retirez</p>
	<p>By Hand</p> <p>A mano</p> <p>Von Hand</p> <p>Com a mão</p> <p>A mano</p> <p>Met de hand</p> <p>À la main</p>		<p>Optional</p> <p>Opcional</p> <p>Optional</p> <p>Opcional</p> <p>Opzionale</p> <p>Optie</p> <p>En option</p>
	<p>Hex-Head Wrench</p> <p>Llave de cabeza hexagonal</p> <p>Sechskantschlüssel</p> <p>Chave de cabeça sextavada</p> <p>Chiave esagonale</p> <p>Zeskantsleutel</p> <p>Clé à tête hexagonale</p>		<p>Security Wrench</p> <p>Llave de seguridad</p> <p>Sicherheitsschlüssel</p> <p>Chave de segurança</p> <p>Chiave di sicurezza</p> <p>Veiligheidsleutel</p> <p>Clé de sécurité</p>

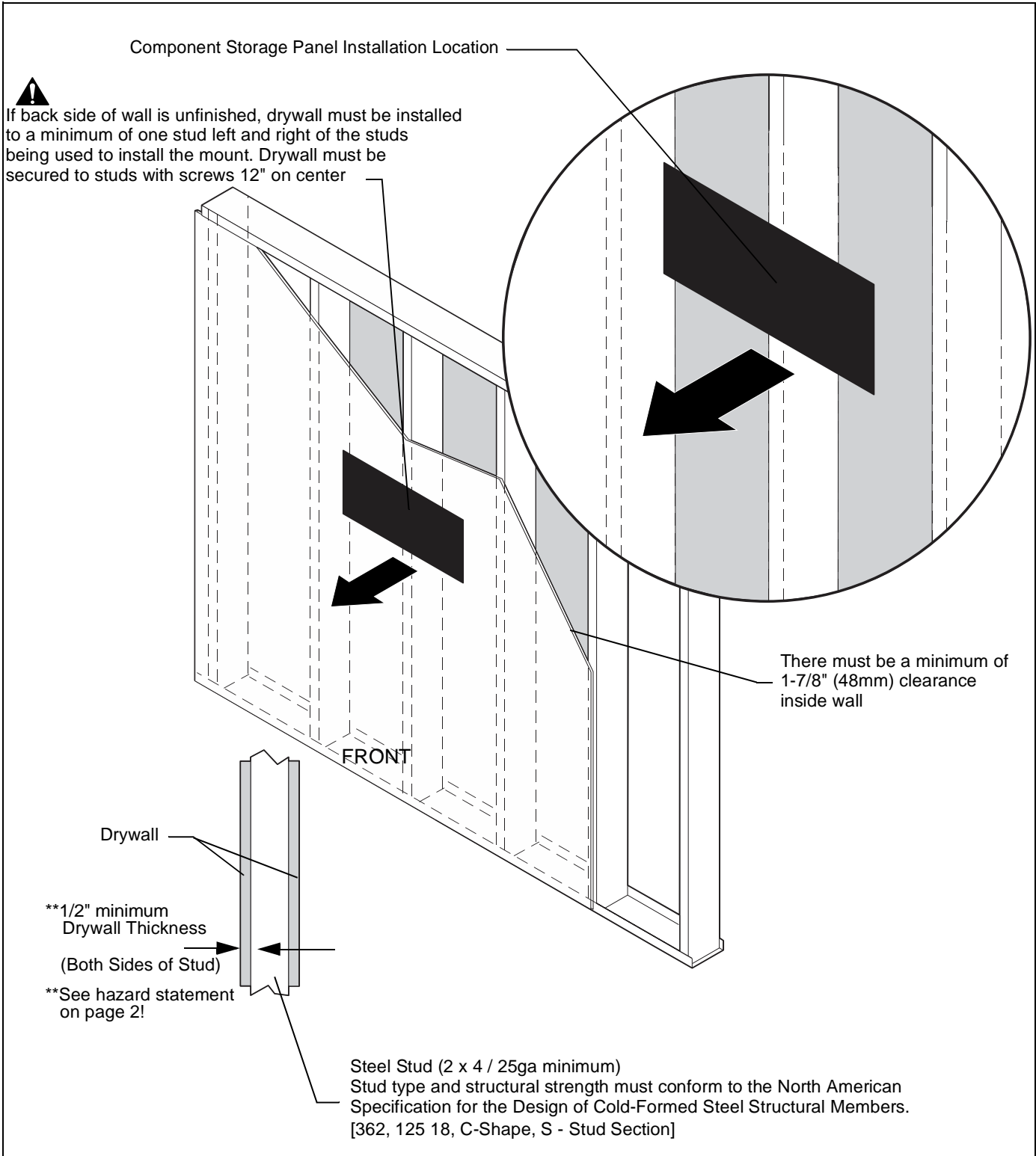
TOOLS REQUIRED FOR INSTALLATION



PARTS



Site Requirements



Assembly And Installation

CSPS Installation

1. Position accessory wall plate (A) onto wall at desired mounting location. Use a level to ensure of an even mount. (See Figure 1)
2. Mark and drill four 1/2" (12.7mm) holes at the desired mounting locations. (See Figure 1)

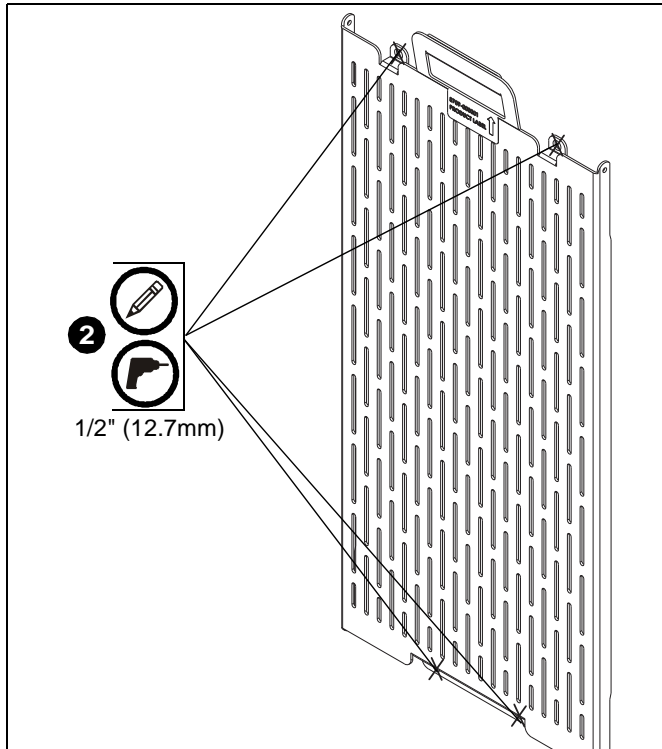


Figure 1

3. Hold metal channel on 1/4"-20 anchor (J) flat alongside plastic straps and slide channel through hole. (See Figure 2)

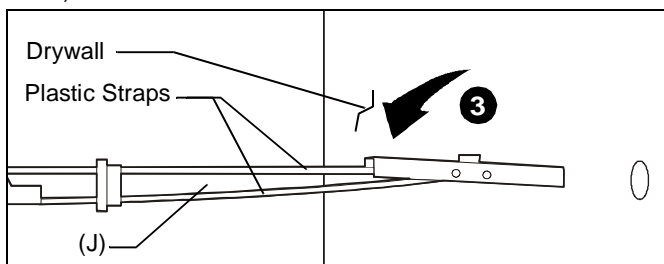


Figure 2

4. Holding plastic straps on anchor (J), pull anchor away from wall until channel rests flush behind wall. (See Figure 3)
5. Slide plastic cap on anchor (J) towards wall until flange of cap is flush with wall. (See Figure 3)

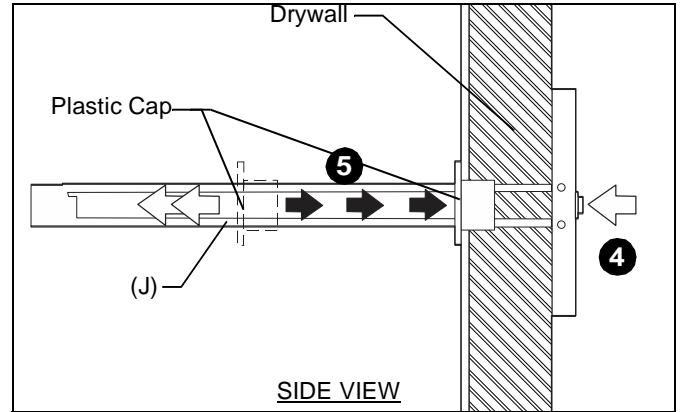


Figure 3

6. Snap off plastic straps on anchor at wall by pushing side to side, snapping off straps level with flange of plastic cap. (See Figure 4)
7. Repeat Steps 3 through 6 for the other mounting holes.

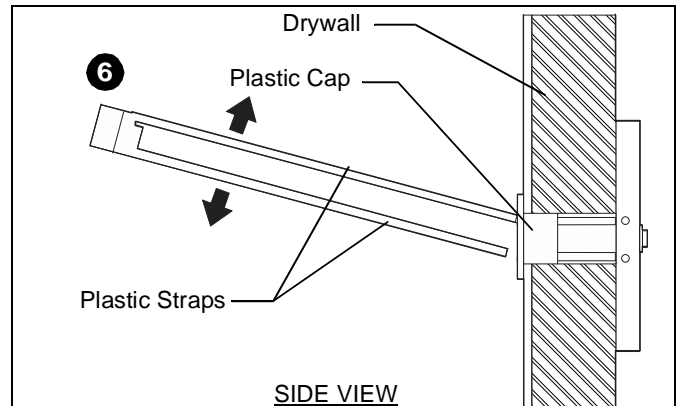


Figure 4

8. Place mount over anchors and align mounting holes on mount with holes in anchors. (See Figure 5)
9. Use four 1/4"-20 x 1 3/4" Phillips pan machine screws (K) and four 1/4" washers (L) to secure wall plate (A) to anchors (J). (See Figure 5)

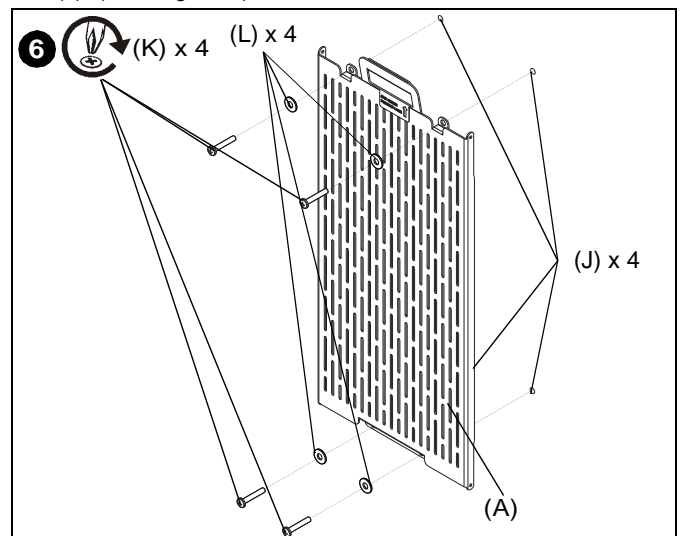


Figure 5

CSPR Installation

1. Position top wall bracket (B) on wall at desired mounting location. Use a level to ensure of an even mount. (See Figure 6)
2. Mark and drill four 1/2" (12.7mm) holes at the desired mounting locations. (See Figure 6)

NOTE: Any two holes may be used to mount the wall brackets to the wall as long as they are on opposite sides of the brackets.

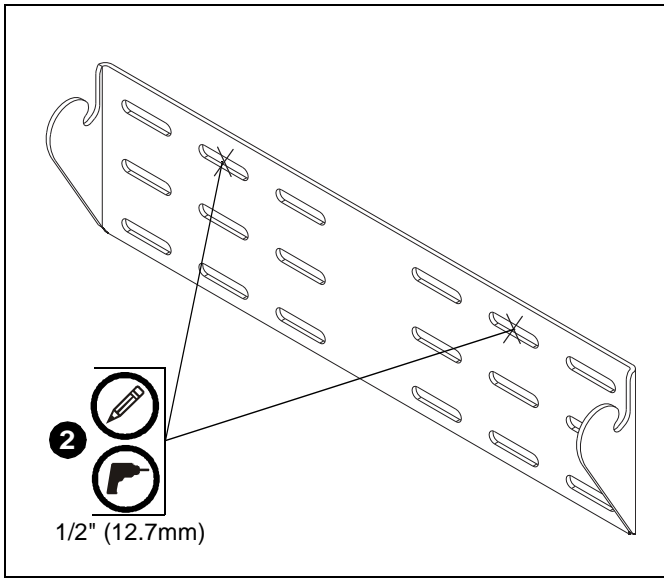


Figure 6

3. Hold metal channel on #10-24 anchor (C) flat alongside plastic straps and slide channel through hole. (See Figure 7)

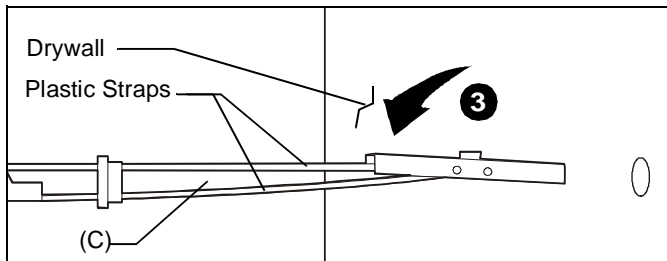


Figure 7

4. Holding plastic straps on anchor (C), pull anchor away from wall until channel rests flush behind wall. (See Figure 8)
5. Slide plastic cap on anchor (C) towards wall until flange of cap is flush with wall. (See Figure 8)

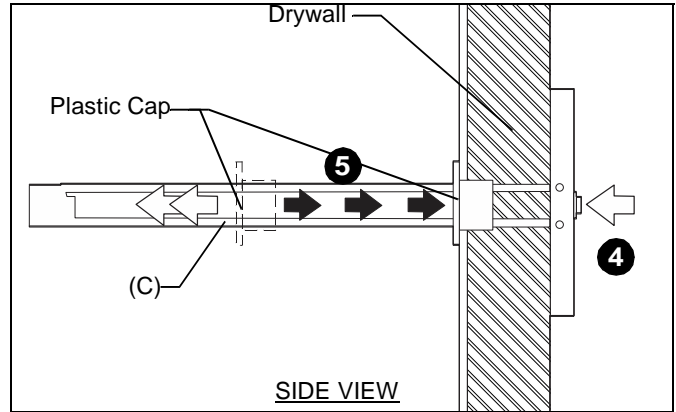


Figure 8

6. Snap off plastic straps on anchor at wall by pushing side to side, snapping off straps level with flange of plastic cap. (See Figure 9)
7. Repeat Steps 3 through 6 for the other mounting hole.

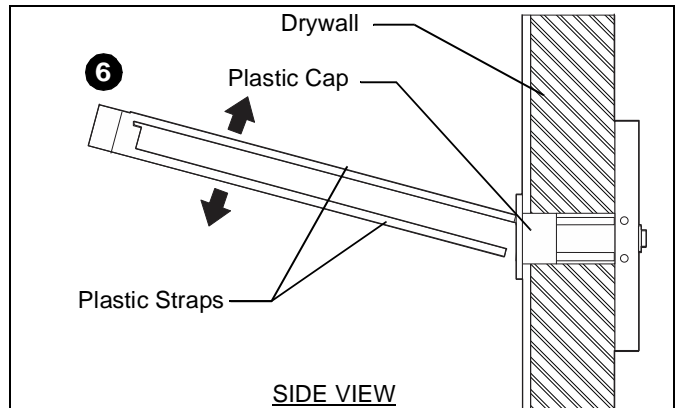


Figure 9

8. Use two #10-24 x 1 1/4" Phillips pan machine screws (D) and two #10 washers (E) to secure wall bracket (B) to anchors (C). (See Figure 10)

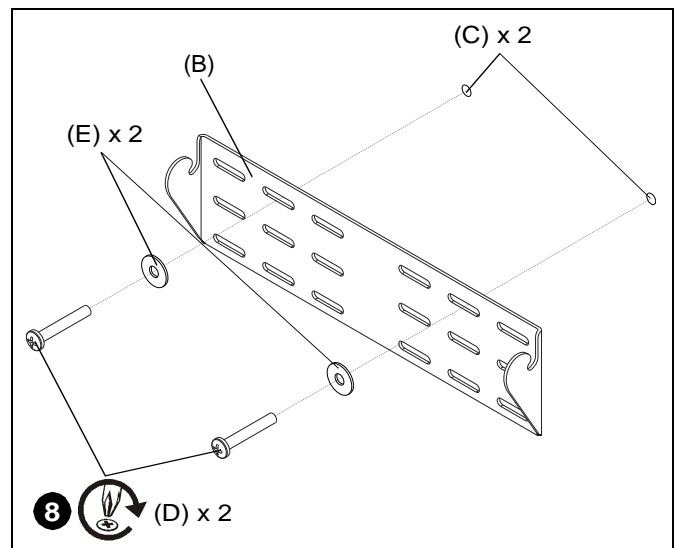


Figure 10

- Loosely install four #10-24 x 3/4" Phillips pan machine screws (F) into top and bottom holes on accessory wall plate (A). Two #10-24 x 1/2" button head security screws (G) may be used in place of two Phillips screws (F) on the top or bottom if greater security is desired. (See Figure 11)

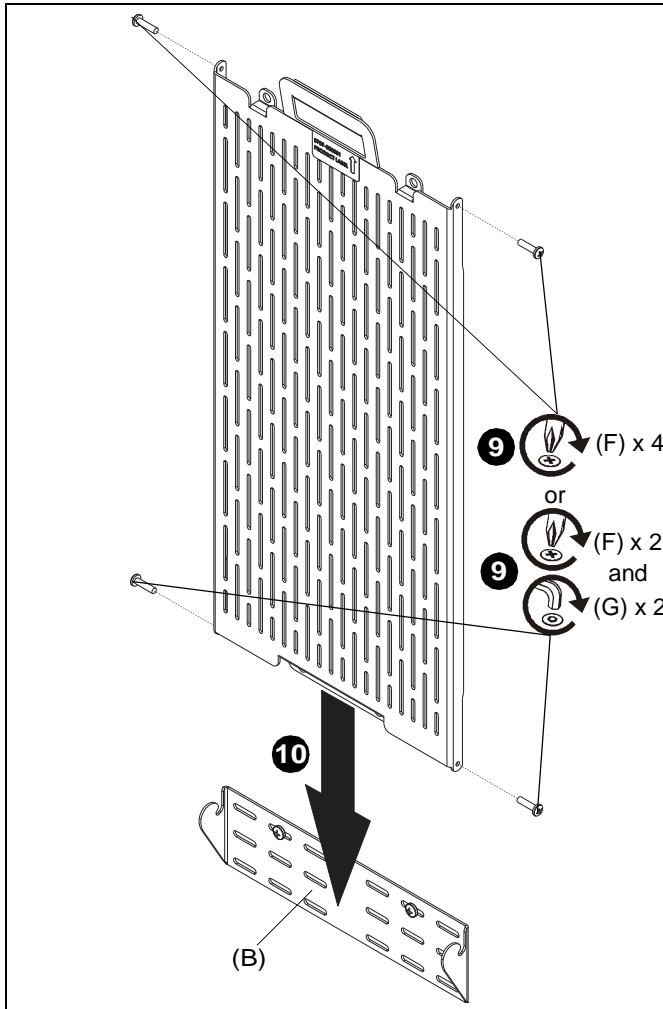


Figure 11

- Slide accessory wall plate (A) onto top wall bracket (B) until top two screws (F) or (G) hang in upper slots of wall bracket (B). (See Figure 11)
- Place lower wall bracket (B) under accessory wall plate so that lower screws (F) or (G) sit in the slots of lower wall bracket (B). (See Figure 12)
- Mark desired hole locations to mount lower wall bracket to wall. (See Figure 12)

NOTE: Any two holes may be used to mount the wall brackets to the wall as long as they are on opposite sides of the brackets.

- Remove lower wall bracket from wall and drill two 1/2" holes at marked locations. (See Figure 12)
- Install two #10-24 anchors (C) into drilled holes following Steps 3-6.
- Reposition lower wall bracket (B) in mounting position and use two #10-24 x 1 1/4" Phillips pan machine screws (D) and two #10 washers (E) to secure wall bracket (B) to anchors (C). (See Figure 12)

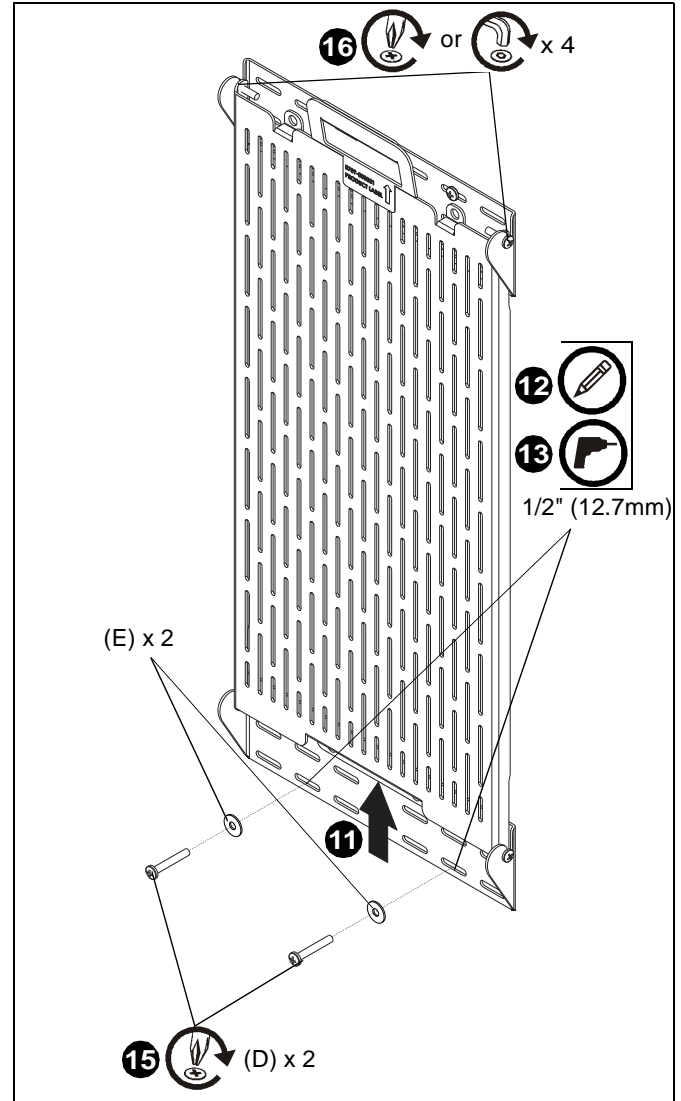


Figure 12

- Tighten all four screws (F) or (G) holding accessory wall plate (A) to wall brackets (B). (See Figure 12)

Component Installation



WARNING: Exceeding the weight capacity can result in serious personal injury or damage to equipment! It is the installer's responsibility to make sure the combined weight of all components attached to this accessory does not exceed 20 lbs (9.07 kg).

- Install components to accessory wall plate (A) as desired using appropriate hardware (not provided) for each component.

Accessory Plate Removal (CSPR ONLY)

1. Loosen four screws holding accessory wall plate (A) to wall brackets (B). (See Figure 13)
2. Grab handle and pull accessory wall plate (A) straight up until removed from wall brackets (B). (See Figure 13)

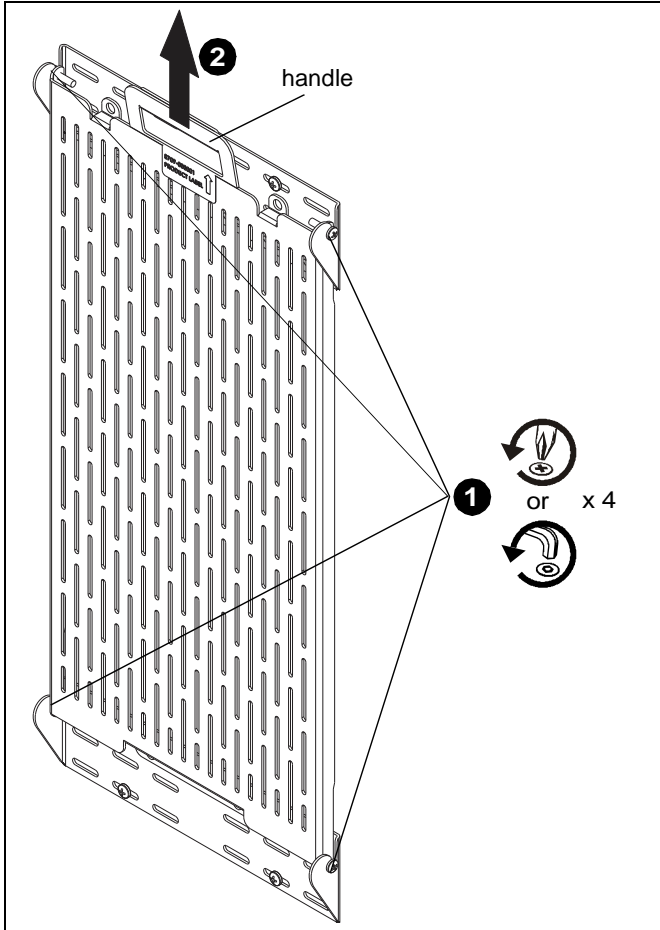


Figure 13



Our Mounts. **Your Vision.**

Chief, a products division of
Milestone AV Technologies

8800-002943 Rev00
©2017 Milestone AV Technologies
www.milestone.com
03/17

USA/International	A 6436 City West Parkway, Eden Prairie, MN 55344
	P 800.582.6480 / 952.225.6000
	F 877.894.6918 / 952.894.6918
Europe	A Franklinstraat 14, 6003 DK Weert, Netherlands
	P +31 (0) 495 580 852
	F +31 (0) 495 580 845
Asia Pacific	A Office No. 918 on 9/F, Shatin Galleria 18-24 Shan Mei Street Fotan, Shatin, Hong Kong
	P 852 2145 4099
	F 852 2145 4477

