

FUSION® LARGE TABLE STANDS

Chief's new Fusion® Table Stands safely support large monitors and displays, and are designed with user-friendly swivel and cable management features. Perfect for conference rooms, hospitality and event applications. Available in bolt-down and freestanding solutions.



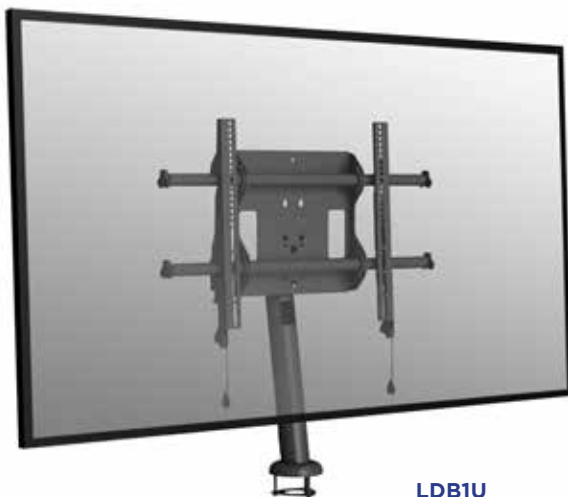
LDS1U



LDB1U



LDS1U



LDB1U

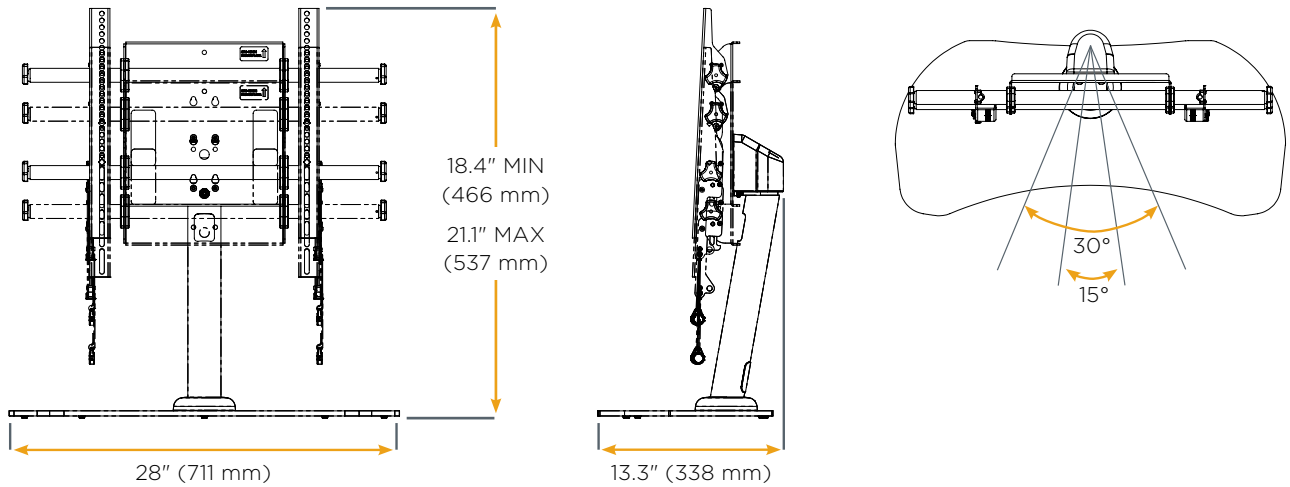
FEATURES

- Built-in universal interface fits most 46 - 70" displays and provides everything needed for installation in just one SKU
- Weight capacity range up to 125 lbs. (56.7 kg) for simple specification - perfect for Dell®, Apple® and other heavy displays and monitors
- Mounting pattern range: VESA® 100 x 100 mm - 640 x 400 mm
- Vertical height adjustment of 3" (76 mm)
- Prevent display from colliding with walls or furniture by setting rotation limits at +/- 15° or 30°
- Easily route and conceal cables through a wide, in-column channel for a clean finish
- Set screw locks display mount once centered, preventing horizontal shifting
- LDS1U is UL and TUV rated. LDB1U is TUV rated.
- Works with Fusion Camera Shelf and Speaker Adapter Accessories FCA800, FCA801, FCA870, FCA830 and with Fusion CPU Accessories FCA112 and FCA110

SPECIFICATIONS

Model	Description	Weight Capacity	Orientation	Swivel Range	Display Height Range	Typical Display Sizes	Mounting Pattern Compatibility	Finish
LDS1U	Large Fusion Table Stand	125 lbs. (56.7 kg)	Landscape	+/- 15° or 30°	22 - 38"	46 - 70"	100 x 100 mm - 640 x 400 mm	Black
LDB1U	Large Fusion Bolt-Down Table Stand							

LDS1U



LDB1U

