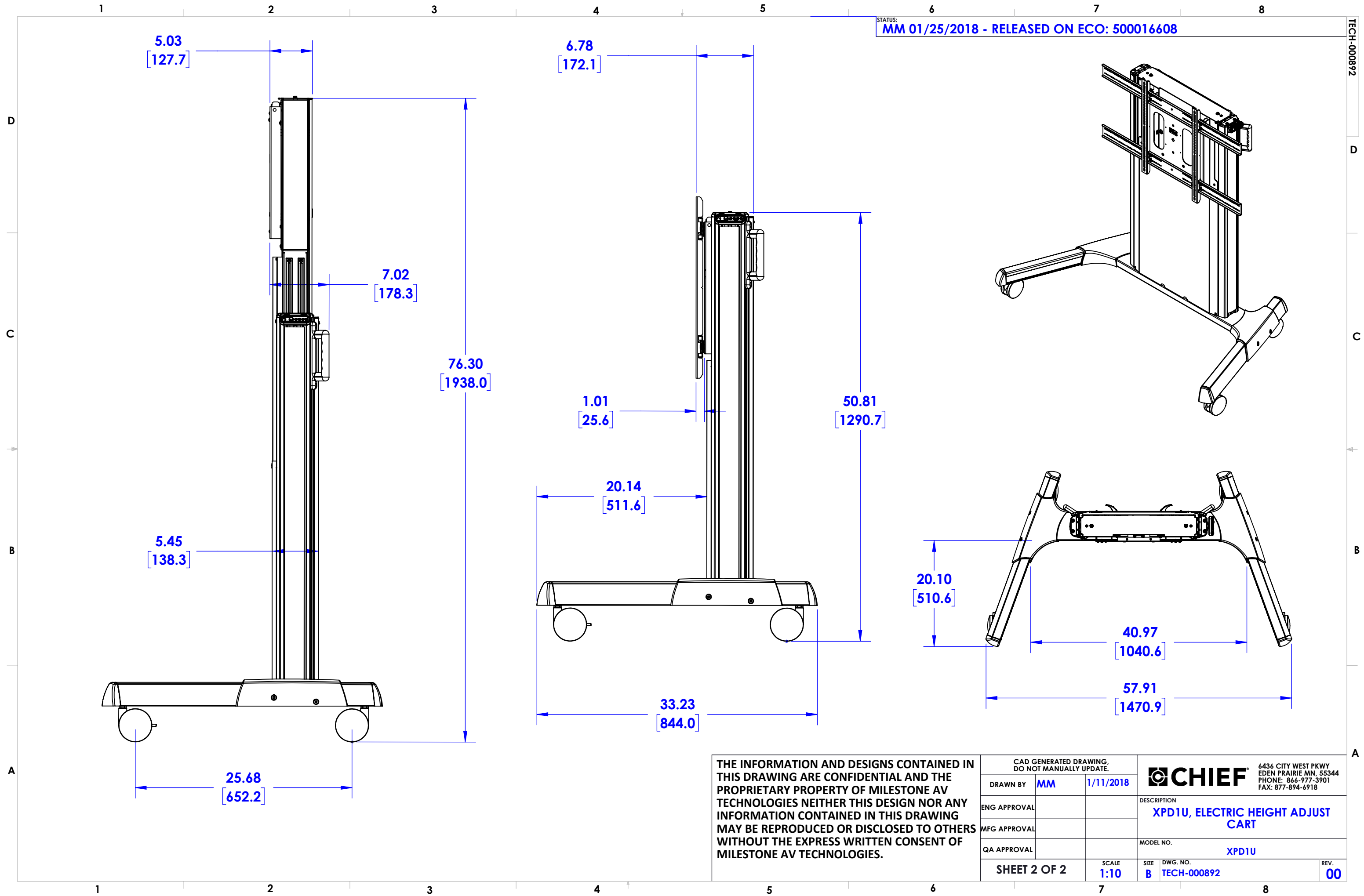


ACCESSORY MOUNTING PATTERN 3.93 [100mm]

THE INFORMATION AND DESIGNS CONTAINED IN THIS DRAWING ARE CONFIDENTIAL AND THE PROPRIETARY PROPERTY OF MILESTONE AV TECHNOLOGIES NEITHER THIS DESIGN NOR ANY INFORMATION CONTAINED IN THIS DRAWING MAY BE REPRODUCED OR DISCLOSED TO OTHERS WITHOUT THE EXPRESS WRITTEN CONSENT OF MILESTONE AV TECHNOLOGIES.

CAD GENERATED DRAWING, DO NOT MANUALLY UPDATE.			6436 CITY WEST PKWY EDEN PRAIRIE MN, 55344 PHONE: 866-977-3901 FAX: 877-894-6918
DRAWN BY	MM	1/11/2018	
ENG APPROVAL			DESCRIPTION
MFG APPROVAL			XPD1U, ELECTRIC HEIGHT ADJUST CART
QA APPROVAL			MODEL NO.
SHEET 1 OF 2			XPD1U
SCALE	1:10	SIZE	DWG. NO.
		B	TECH-000892
			REV.
			00



THE INFORMATION AND DESIGNS CONTAINED IN THIS DRAWING ARE CONFIDENTIAL AND THE PROPRIETARY PROPERTY OF MILESTONE AV TECHNOLOGIES NEITHER THIS DESIGN NOR ANY INFORMATION CONTAINED IN THIS DRAWING MAY BE REPRODUCED OR DISCLOSED TO OTHERS WITHOUT THE EXPRESS WRITTEN CONSENT OF MILESTONE AV TECHNOLOGIES.

CAD GENERATED DRAWING, DO NOT MANUALLY UPDATE.				6436 CITY WEST PKWY EDEN PRAIRIE MN, 55344 PHONE: 866-977-3901 FAX: 877-894-6918	
DRAWN BY	MM	1/11/2018		DESCRIPTION XPD1U, ELECTRIC HEIGHT ADJUST CART	
ENG APPROVAL			MODEL NO. XPD1U		
MFG APPROVAL			REV. 00		
QA APPROVAL			SHEET 2 OF 2		
SCALE		1:10	SIZE	DWG. NO. TECH-000892	