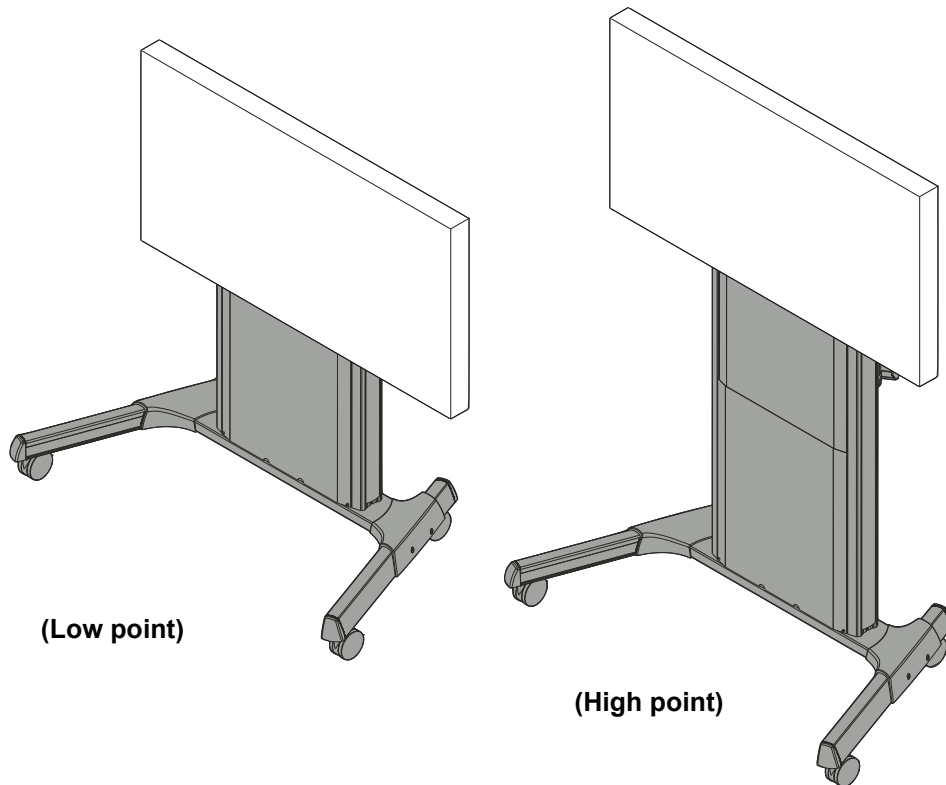

INSTALLATION INSTRUCTIONS



Electrical XL Height Adjustable Video Cart

DISCLAIMER

Milestone AV Technologies and its affiliated corporations and subsidiaries (collectively "Milestone"), intend to make this manual accurate and complete. However, Milestone makes no claim that the information contained herein covers all details, conditions or variations, nor does it provide for every possible contingency in connection with the installation or use of this product. The information contained in this document is subject to change without notice or obligation of any kind. Milestone makes no representation of warranty, expressed or implied, regarding the information contained herein. Milestone assumes no responsibility for accuracy, completeness or sufficiency of the information contained in this document.

Chief® is a registered trademark of Milestone AV Technologies. All rights reserved.

DEFINITIONS

⚠ WARNING alerts you to the possibility of serious injury or death if you do not follow the instructions.

⚠ CAUTION alerts you to the possibility of damage or destruction of equipment if you do not follow the corresponding instructions.

⚠ DANGER alerts you to an imminently hazardous situation which, if not avoided, will result in death or serious injury.

MOUNTING SYSTEM: A MOUNTING SYSTEM is the primary Chief product to which an accessory and/or component is attached.

ACCESSORY: AN ACCESSORY is the secondary Chief product which is attached to a primary Chief product, and may have a component attached or setting on it.

COMPONENT: A COMPONENT is an audiovisual item designed to be attached or resting on an accessory or mounting system such as a video camera, CPU, screen, display, projector, etc.

⚠ IMPORTANT SAFETY INSTRUCTIONS

WARNING: FAILURE TO READ AND FOLLOW THE FOLLOWING INSTRUCTIONS CAN RESULT IN SERIOUS PERSONAL INJURY, DAMAGE TO EQUIPMENT OR VOIDING OF FACTORY WARRANTY. It is the installer's responsibility to make sure all components are properly assembled and installed using the instructions provided.

When using an electrical mounting system, basic precautions should always be followed, including the following:

READ ALL INSTRUCTIONS BEFORE USING THIS PRODUCT!!!!

⚠ DANGER: TO REDUCE THE RISK OF ELECTRIC SHOCK:

1. Always turn off power at source before cleaning.

⚠ WARNING: TO REDUCE THE RISK OF BURNS, FIRE, ELECTRIC SHOCK, OR INJURY TO PERSONS:

1. Unplug from outlet before putting on or taking off parts.
2. Close supervision is necessary when this furnishing is used by, or near children, invalids, or disabled persons.
3. Use this furnishing only for its intended use as described in these instructions. Do not use attachments not recommended by the manufacturer.
4. Never operate this mounting system if it has a damaged cord or plug, if it is not working properly, if it has been dropped or damaged, or dropped into water. Return the mounting system to a service center for examination and repair.
5. Keep the cord away from heated surfaces.
6. Never operate the furnishing with the air openings blocked. Keep the air openings free of lint, hair, and the like.
7. Never drop or insert any object into any opening.
8. Do not use outdoors.
9. Do not operate where aerosol (spray) products are being used or where oxygen is being administered.
10. To disconnect, turn all controls to the off position, then remove plug from outlet.
11. For loading always put heavier items at the bottom and not near the top in order to help prevent the possibility of the furnishing tipping over.

⚠ WARNING: Exceeding the weight capacity can result in serious personal injury or damage to equipment! It is the installer's responsibility to make sure the weight of all components attached to the XPD1U does not exceed 310 lbs (140.6 kg).

⚠ WARNING: Use this mounting system only for its intended use as described in these instructions. Do not use attachments not recommended by the manufacturer.

⚠ WARNING: Never operate this mounting system if it is damaged. Return the mounting system to a service center for examination and repair.

⚠ WARNING: RISK OF SERIOUS INJURY OR DEATH! Risk of death or serious injury may occur when children climb on audio and/or video equipment furniture. A remote control or toys placed on the furnishing may encourage a child to climb on the furnishing and as a result the furnishing may tip over on to the child.

⚠️ WARNING: RISK OF SERIOUS INJURY OR DEATH! Relocating audio and/or video equipment to furniture not specifically designed to support audio and/or video equipment may result in death or serious injury due to the furnishing collapsing or overturning onto a child.

NOTE: The XPD1U cart has no user serviceable parts.

NOTE: The XPD1U cart can support screen sizes up to a maximum of 100" wide.

NOTE: The XPD1U cart is intended for Institutional Use.

NOTE: To reduce the risk of electric shock, this furnishing has a polarized plug (one blade is wider than the other). This plug will fit in a polarized outlet only one way. If the plug does not fit fully in the outlet, reverse the plug. If it still does not fit, contact a qualified electrician to install the proper outlet. Do not change the plug in any way.

NOTE: This product is a double-insulated, cord-connected product and must be serviced accordingly. In a double-insulated product, two systems of insulation are provided instead of grounding. No grounding means for grounding to be added to the product. Servicing a double-insulated product requires extreme care and knowledge of the system, and is to be done only by qualified service personnel. Replacement parts for a double-insulated product must be identical to the parts they replace. A double-insulated product is marked with the symbol (square within a square)



different from that to which the receiver is connected.

- Consult the dealer or an experienced radio/TV technician for help.

⚠️ CAUTION: Changes or modifications to this unit not expressly approved by the manufacturer can void the units FCC compliance rating and make the unit illegal to operate.

Responsible Party:

Milestone AV Technologies
 6436 City West Parkway
 Eden Prairie, MN 55344
 866-977-3901
 info@milestone.com

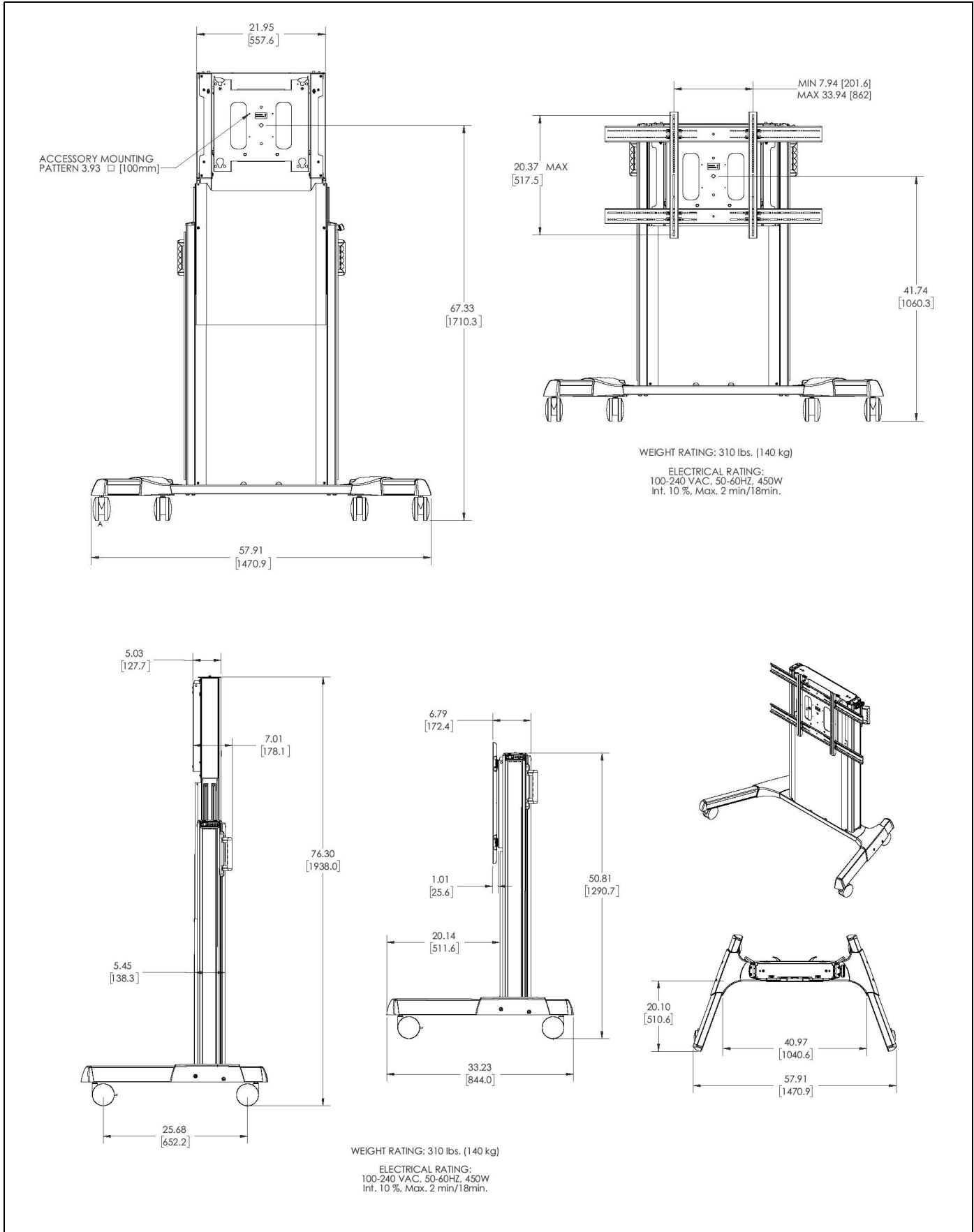
--SAVE THESE INSTRUCTIONS--

Electrical Specifications	
Input voltage, frequency	100-240 V~, 50-60 Hz, 450W
Duty Cycle	Intermittent: 10%; max 2 minutes on/18 minutes off

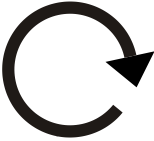

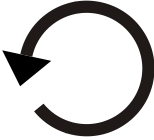









NOTE: This equipment has been tested and found to comply with the limits for a Class B digital device, pursuant to Part 15 of the FCC Rules. These limits are designed to provide reasonable protection against harmful interference in a residential installation. This equipment generates, uses and can radiate radio frequency energy and, if not installed and used in accordance with the instructions, may cause harmful interference to radio communications. However, there is no guarantee that interference will not occur in a particular installation. If this equipment does cause harmful interference to radio or television reception, which can be determined by turning the equipment off and on, the user is encouraged to try to correct the interference by one or more of the following measures:

- Reorient or relocate the receiving antenna.
- Increase the separation between the equipment and receiver.
- Connect the equipment into an outlet on a circuit

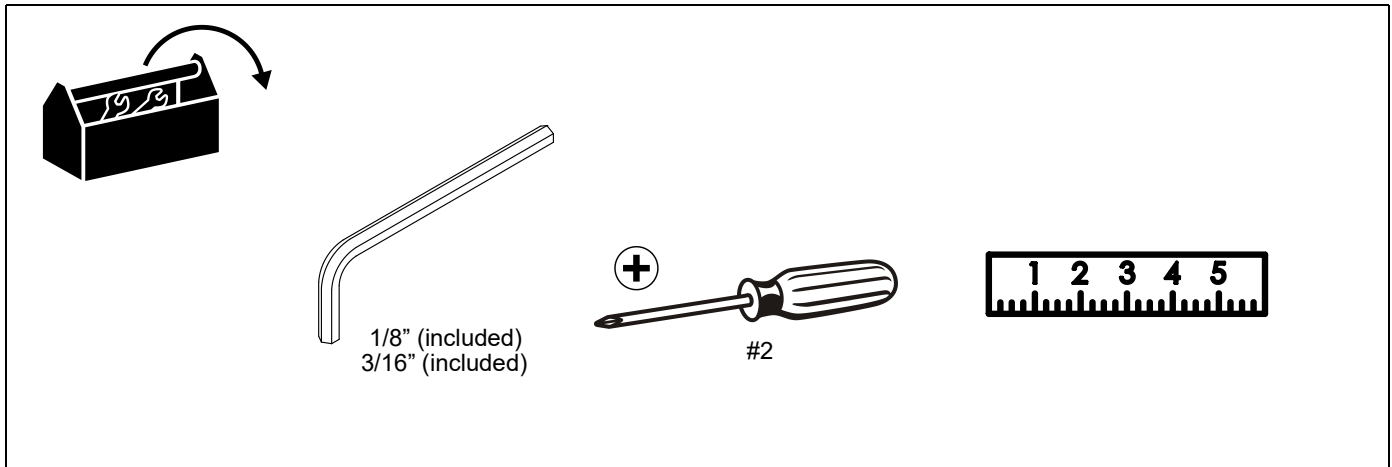
DIMENSIONS



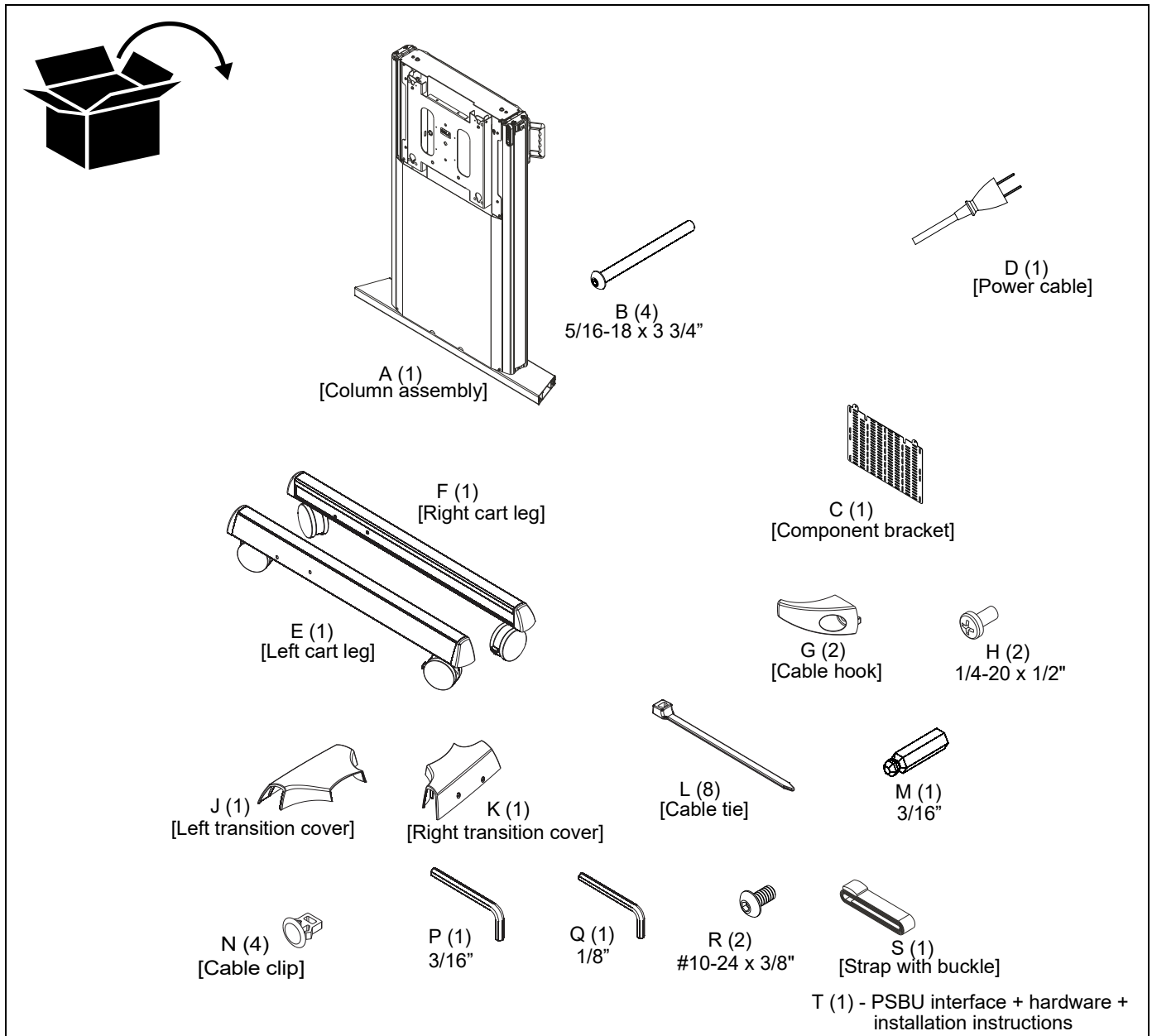
LEGEND

	<p>Tighten Fastener</p> <p>Apretar elemento de fijación</p> <p>Befestigungsteil festziehen</p> <p>Apertar fixador</p> <p>Serrare il fissaggio</p> <p>Bevestiging vastdraaien</p> <p>Serrez les fixations</p>		<p>Pencil Mark</p> <p>Marcar con lápiz</p> <p>Stiftmarkierung</p> <p>Marcar com lápis</p> <p>Segno a matita</p> <p>Potloodmerkten</p> <p>Marquage au crayon</p>
	<p>Loosen Fastener</p> <p>Aflojar elemento de fijación</p> <p>Befestigungsteil lösen</p> <p>Desapertar fixador</p> <p>Allentare il fissaggio</p> <p>Bevestiging losdraaien</p> <p>Desserrez les fixations</p>		<p>Drill Hole</p> <p>Perforar</p> <p>Bohrloch</p> <p>Fazer furo</p> <p>Praticare un foro</p> <p>Gat boren</p> <p>Percez un trou</p>
	<p>Phillips Screwdriver</p> <p>Destornillador Phillips</p> <p>Kreuzschlitzschraubendreher</p> <p>Chave de fendas Phillips</p> <p>Cacciavite a stella</p> <p>Kruiskopschroevendraaier</p> <p>Tournevis à pointe cruciforme</p>		<p>Adjust</p> <p>Ajustar</p> <p>Einstellen</p> <p>Ajustar</p> <p>Regolare</p> <p>Afstellen</p> <p>Ajuster</p>
	<p>Open-Ended Wrench</p> <p>Llave de boca</p> <p>Gabelschlüssel</p> <p>Chave de bocas</p> <p>Chiave a punte aperte</p> <p>Steeksleutel</p> <p>Clé à fourche</p>		<p>Remove</p> <p>Quitar</p> <p>Entfernen</p> <p>Remover</p> <p>Rimuovere</p> <p>Verwijderen</p> <p>Retirez</p>
	<p>By Hand</p> <p>A mano</p> <p>Von Hand</p> <p>Com a mão</p> <p>A mano</p> <p>Met de hand</p> <p>À la main</p>		<p>Optional</p> <p>Opcional</p> <p>Optional</p> <p>Opcional</p> <p>Opzionale</p> <p>Optie</p> <p>En option</p>
	<p>Hex-Head Wrench</p> <p>Llave de cabeza hexagonal</p> <p>Sechskantschlüssel</p> <p>Chave de cabeça sextavada</p> <p>Chiave esagonale</p> <p>Zeskantsleutel</p> <p>Clé à tête hexagonale</p>		<p>Security Wrench</p> <p>Llave de seguridad</p> <p>Sicherheitsschlüssel</p> <p>Chave de segurança</p> <p>Chiave di sicurezza</p> <p>Veiligheidsleutel</p> <p>Clé de sécurité</p>

TOOLS REQUIRED FOR INSTALLATION



PARTS



Assembly And Installation

IMPORTANT ! : The XPD1U packaging was designed to help make the installation and setup easier. Do NOT remove assembly prior to reading installation instructions!

Cart Assembly

1. Remove all parts and extra packaging from sides of box leaving only the column assembly (A) in the box. (See Figure 1)
2. Lift column assembly (A) up by lifting at the bottom of the assembly. (See Figure 1)
3. Carefully set column assembly (A) base on the edge of box. (See Figure 1) and (See Figure 2)

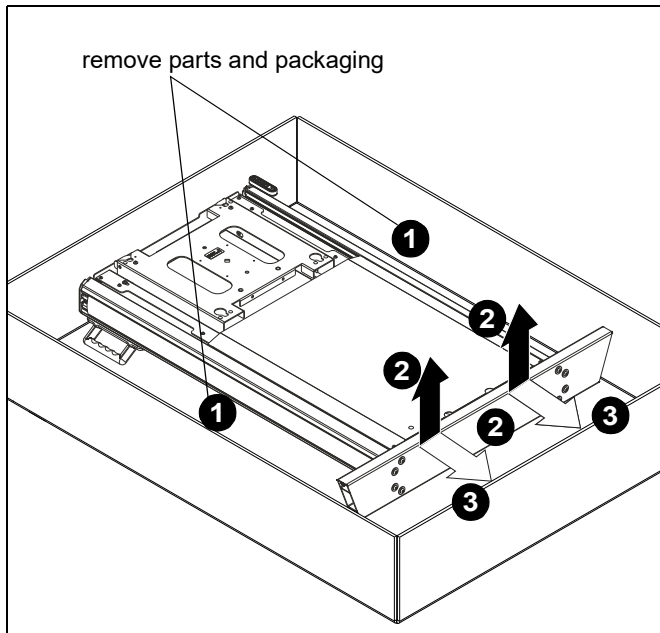


Figure 1

4. Place right transition cover (K) on right cart leg (F), lining up the holes on the cover with the holes on the leg and column assembly base. (See Figure 2)
5. Place left transition cover (J) on left cart leg (E), lining up the holes on the cover with the holes on the leg and column assembly base. (See Figure 2)



CAUTION: Attachment holes may be damaged if a power drill is used to insert button head cap screws. Screws should first be inserted and turned BY HAND with the hex key or with a hand-held screwdriver BEFORE using the hex head drill bit and power drill to complete the attachment.

6. Use four 5/16-18 x 3 3/4" button head cap screws (B) to secure legs (E and F) and covers (K and J) to column assembly (A). (See Figure 2)

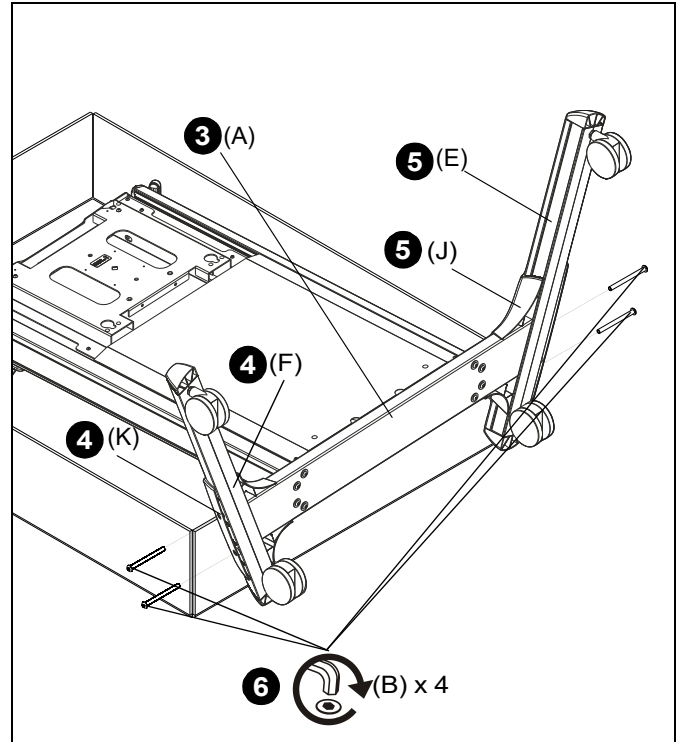


Figure 2

7. Remove cart from box by tipping it from the top onto its wheels. (See Figure 3)
8. Lock wheels to hold cart in position during installation.

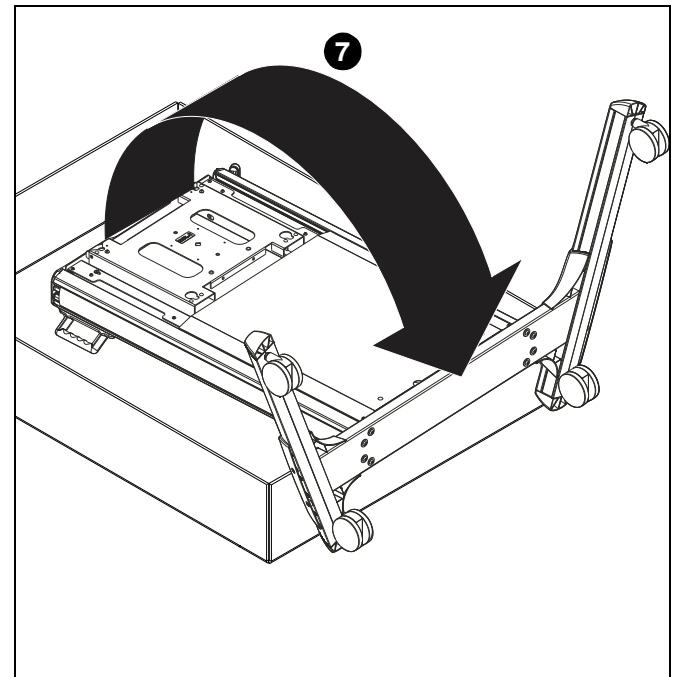


Figure 3

9. Secure control pad into control pad bracket. (See Figure 4)

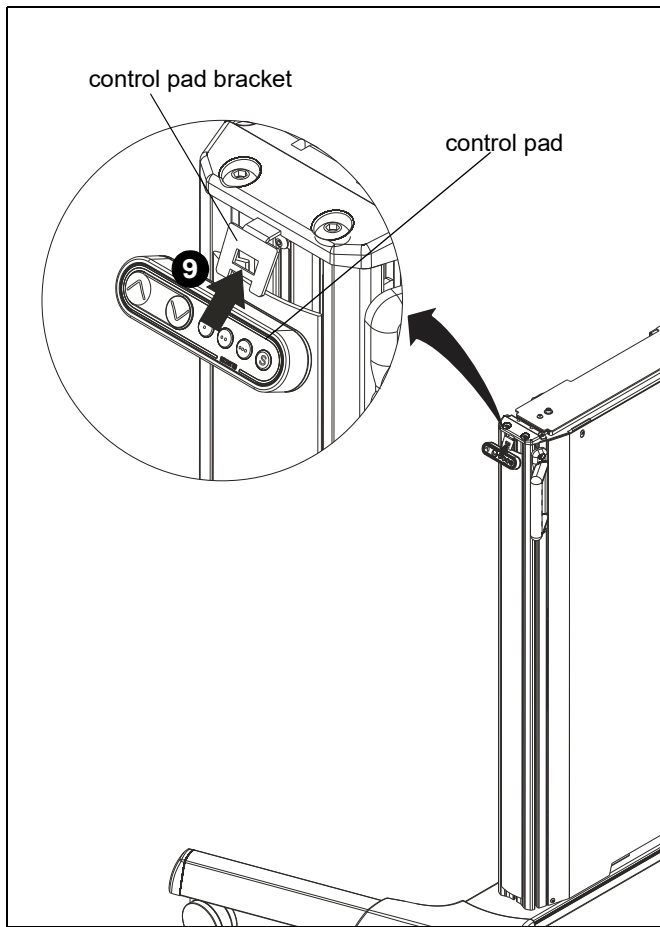


Figure 4

10. Remove bottom two screws from back cover. (See Figure 5)
11. Loosen top two screws from back cover. (See Figure 5)
12. Remove back cover by lifting cover up and out. (See Figure 5)

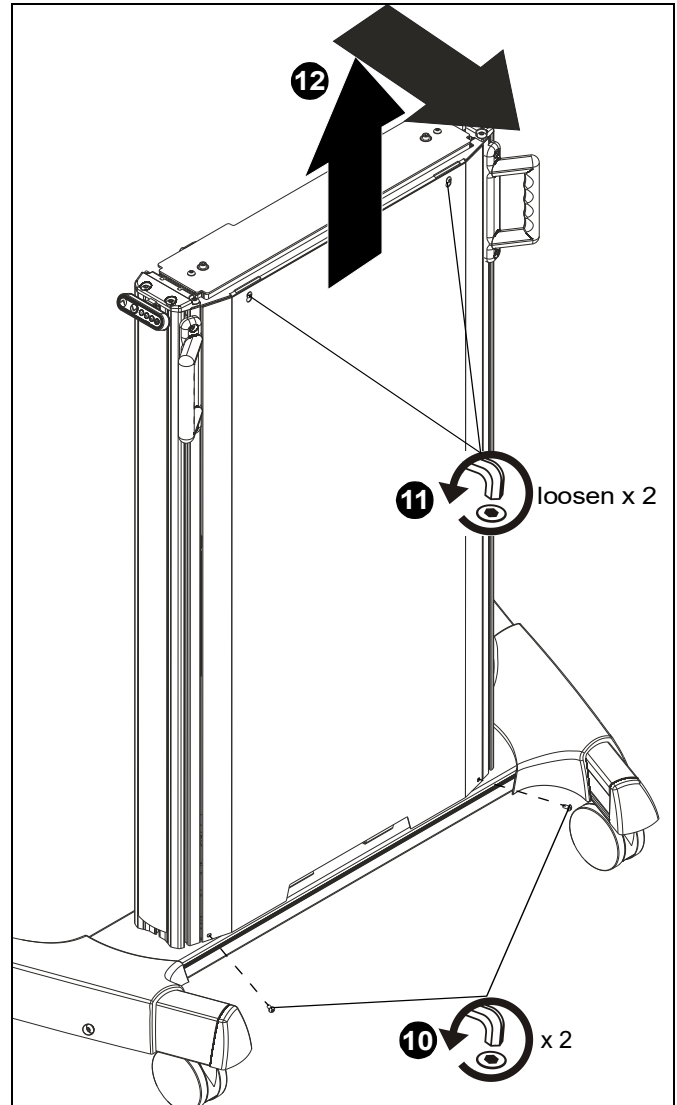


Figure 5

13. Plug in power cable (C) to power supply. Provide strain relief using the cable tie on nearest cable clip. (See Figure 6)

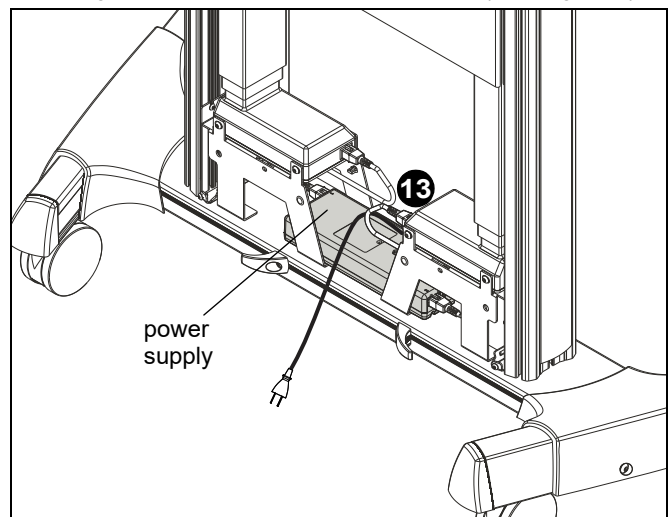


Figure 6

14. (Optional) Place component bracket (C) in mounting position. (See Figure 7)
15. (Optional) Use two #10-24 x 3/8" button head cap screws (R) to secure component bracket. (See Figure 7)

NOTE: Strap with buckle (S) and/or cable ties (L) may be used to secure components to component bracket (C).

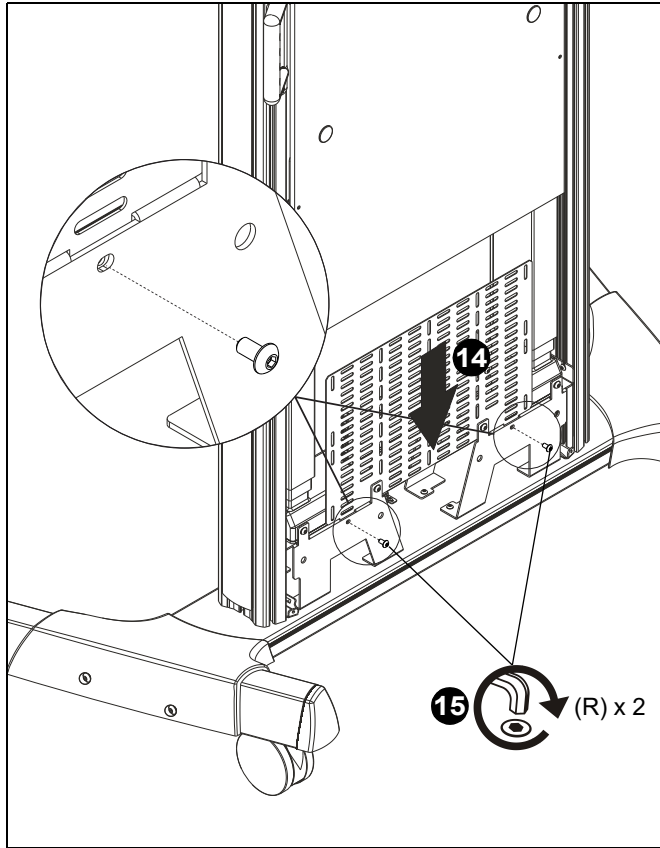


Figure 7

16. Plug in power cable to outlet.
17. Press and hold "DOWN" button for three seconds to initialize lift mechanism. (See Figure 8)
18. Press and hold "UP" button until mount reaches it's maximum height. (See Figure 8)

NOTE: If lifting mechanism does not function properly refer to "Troubleshooting" Section.

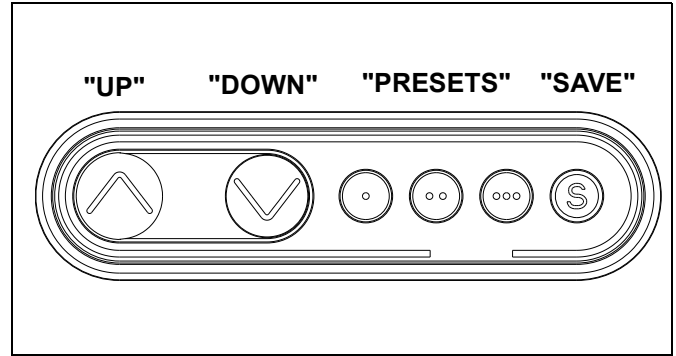


Figure 8

19. Remove bottom two screws from front cover. (See Figure 9)
20. Use finger tabs to pull front cover out and slide down. Cover must be flexed to remove pins from uprights in order to remove. (See Figure 9)

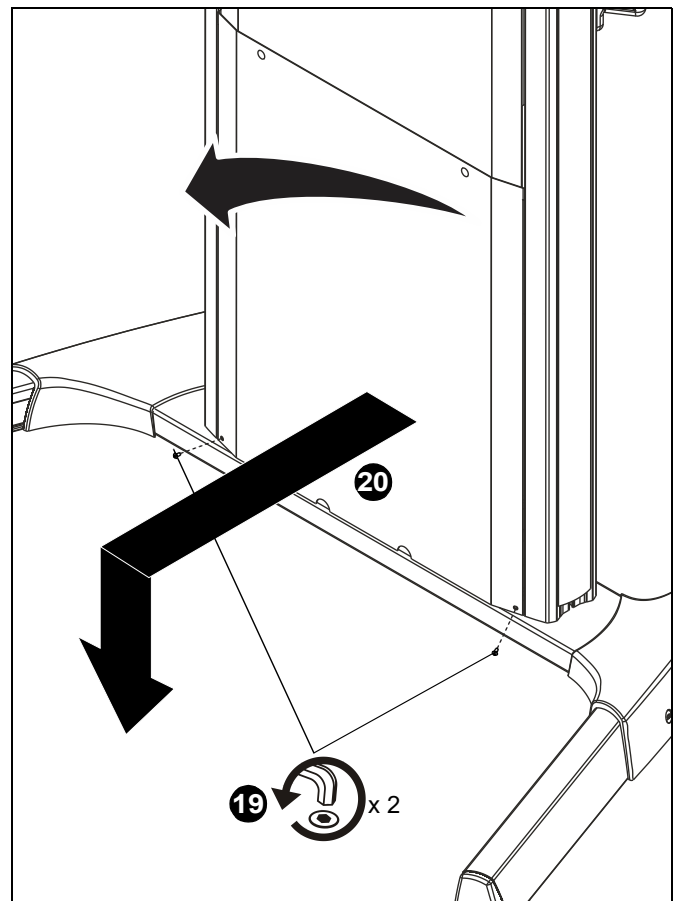


Figure 9

21. Attach display and signal cables to power source. Use cable clips (N) and cable ties (L) to route as necessary. (See Figure 10)

IMPORTANT ! : Make sure to install cables when lift is at the highest position and so that there is enough length to reach input locations for display and signal.

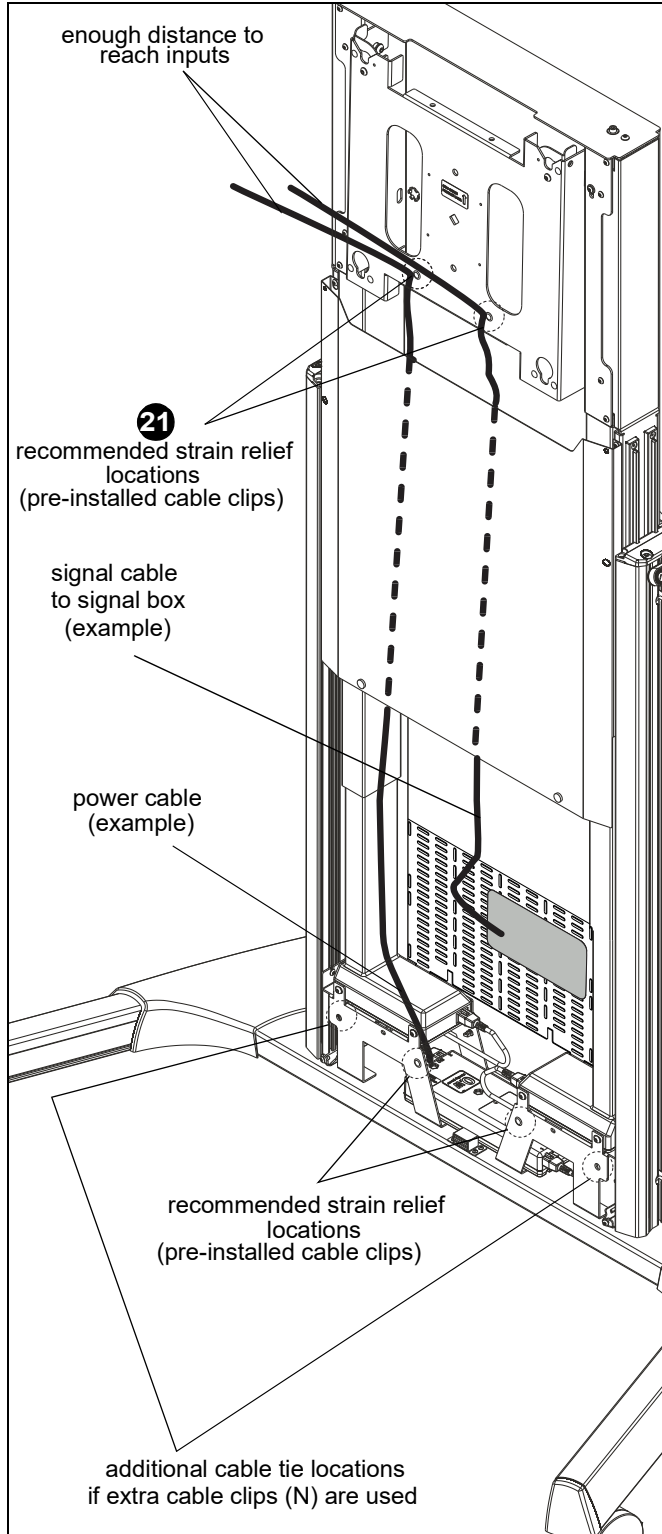


Figure 10

22. Reinstall front cover by using two screws removed in Step 22. (See Figure 11)

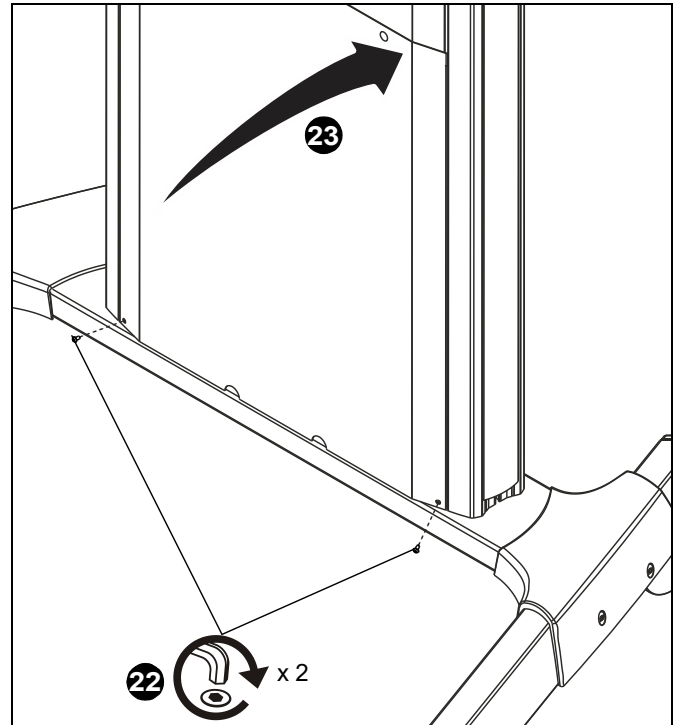


Figure 11

23. Reinstall rear cover and secure by installing screws removed in Step 10. (See Figure)

24. Tighten screws that were loosened in Step 11. (See Figure)

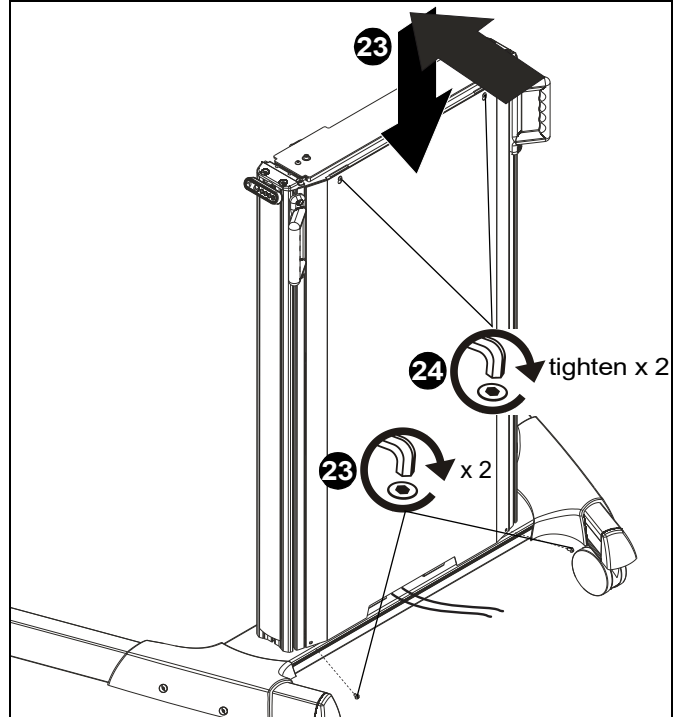


Figure 12

- Use two 1/4-20 x 1/2" Phillips pan machine screws (H) to attach two cable hooks (G) to bottom of column assembly (A). (See Figure 13)

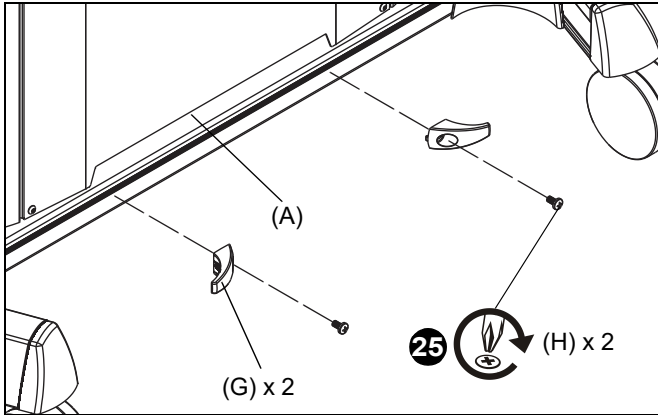


Figure 13

Display Installation



WARNING: Exceeding the weight capacity can result in serious personal injury or damage to equipment! It is the installer's responsibility to make sure the combined weight of all accessories and components attached to the XPD1U head assembly up to (and including) the display does not exceed 310 lbs (140.6 kg).

- Make sure height is at the lowest possible position.
- Make sure latching flags are in "open" position.
- Install display using PSBU interface following PSBU installation instructions.
- Make sure latching flags are in "closed" position prior to using cart!

IMPORTANT ! : Manufacturer recommends using cable ties (Z) to secure the latching flags in closed position on both sides if padlock is not being used. (See Figure 14)

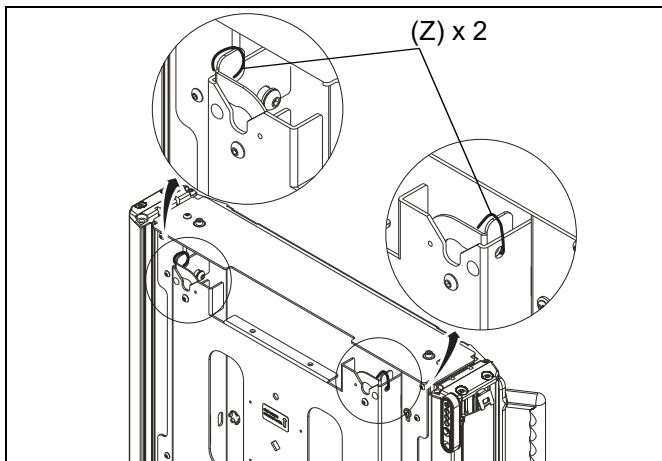


Figure 14

Adjustments

Height Adjustment

- Press "UP" or "DOWN" buttons to raise or lower height as desired. (See Figure 15)

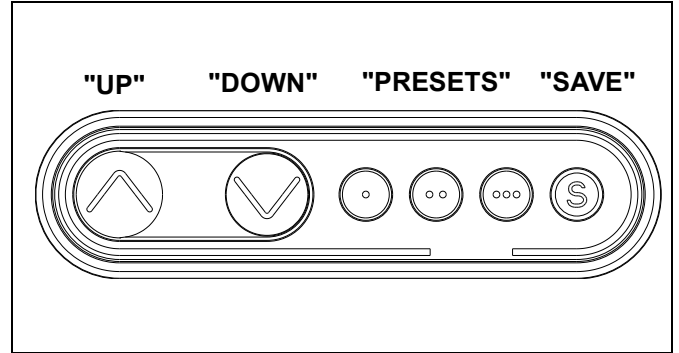


Figure 15

Save Height Levels

- Adjust height until desired preset level is reached using "UP" and "DOWN" buttons. (See Figure 15)
- Press "SAVE" button. (See Figure 15)
- Press one of three preset buttons (., .. or ...) to save preset position. (See Figure 15)
- Repeat Steps 1-3 as desired.

Leveling Adjustment

- Use 3/16" hex key to adjust leveling adjustment screws on top of cart. (See Figure 16)
 - Turn Counterclockwise to lower
 - Turn Clockwise to raise

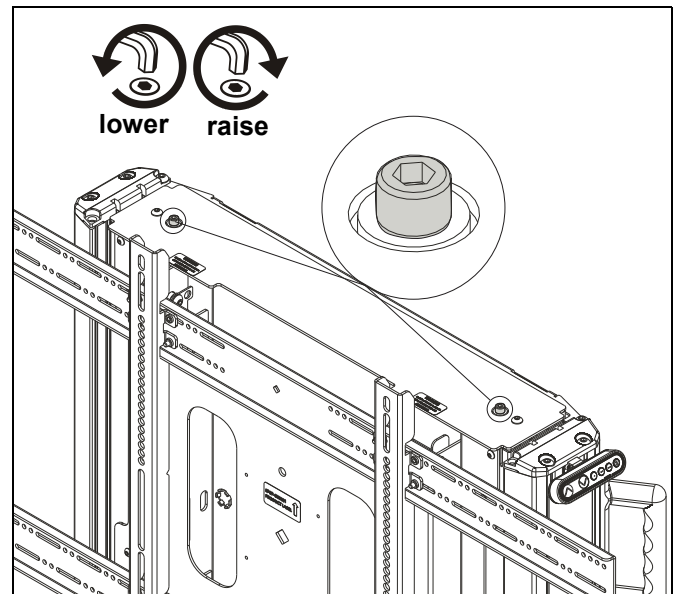


Figure 16

Cart Use and Maintenance

⚠ WARNING: Exceeding the weight capacity can result in serious personal injury or damage to equipment! It is the installer's responsibility to make sure the combined weight of all accessories and components attached to the XPD1U head assembly up to (and including) the display does not exceed 310 lbs (140.6 kg). Use with heavier televisions may result in instability causing tip over resulting in death or serious injury. See Figure below for reference.

⚠ WARNING: RISK OF SERIOUS INJURY OR DEATH!
Placing a remote control or toy on the cart may encourage a child to climb onto the cart causing the cart to tip over onto the child. DO NOT place remote controls or toys on the cart!

⚠ WARNING: RISK OF SERIOUS INJURY OR DEATH!
Relocating audio and/or video equipment to the cart may result in the cart collapsing or overturning onto a child. DO NOT relocate audio and/or video equipment to the cart!

⚠ WARNING: CART CAN TIP OVER RESULTING IN INJURY! Do not allow children under 16 to move cart. Only adults should move this cart.

⚠ WARNING: CART CAN TIP OVER RESULTING IN INJURY! Move cart slowly and with the cart set at its lowest position. Use handles for additional stability. Push, don't pull cart. (See Figure 17)

NOTE: The XPD1U cart has no user serviceable parts.

NOTE: The XPD1U cart can support screen sizes up to a maximum of 100" wide.

NOTE: The XPD1U cart is intended for institutional use.

1. Always place cart on a level surface.

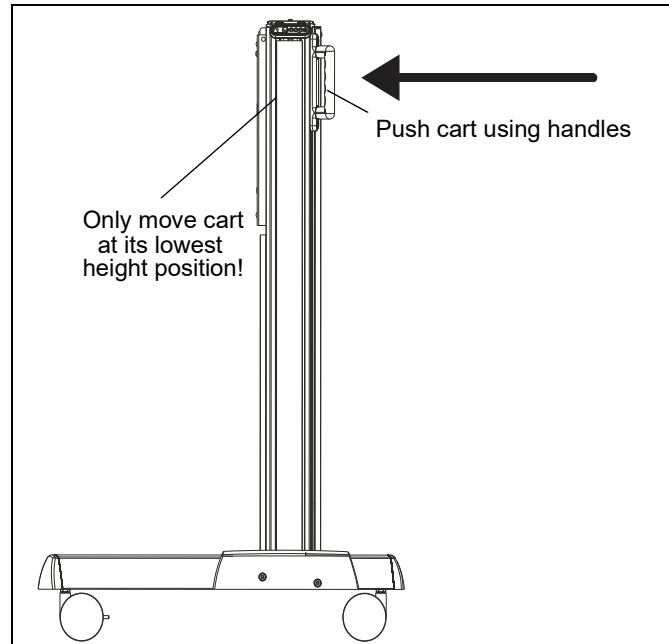


Figure 17

2. Always lock the wheels when the cart is not moving by pressing down the locks on wheels. (See Figure 18)

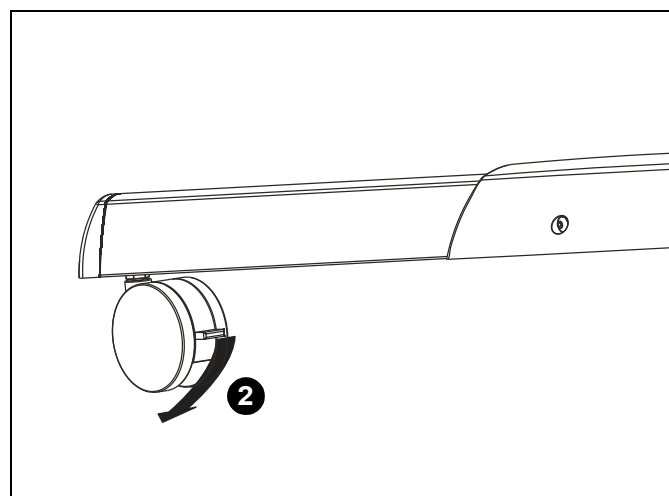


Figure 18

3. Check and tighten the hex nuts on the casters occasionally. (See Figure 19) These should be checked especially after use on uneven ground.

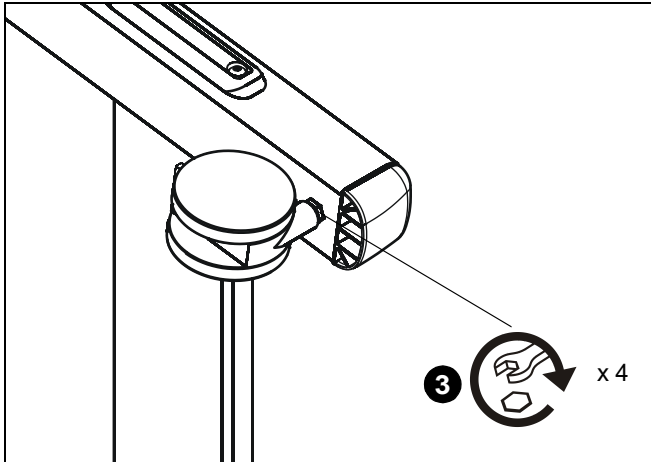


Figure 19

Troubleshooting

If lifting function does not work properly, try to following troubleshooting steps. If none of these work, contact customer service.

1. If there is uneven movement, initialize the control box (reset)
 - Hold "Down" button until lift has reached it's lower limit.
 - Briefly release "Down" button
 - Press and hold "Down" for five seconds, wait until all movement has stopped, then release
2. If there is no movement, check the following
 - Check all cable connectors between controllers and actuators.
 - Check power cable connection to control box.
3. If there is slight movement and then reverse travel, check for any obstructions that may be interfering such as cables or peripheral devices.
4. Contact customer service if none of the above steps fix the problem.



Our Mounts. **Your Vision.**

Chief, a products division of
Milestone AV Technologies

8800-003011 Rev00
©2018 Milestone AV Technologies
www.milestone.com
05/18

USA/International **A** 6436 City West Parkway, Eden Prairie, MN 55344
 P 800.582.6480 / 952.225.6000
 F 877.894.6918 / 952.894.6918

Europe **A** Franklinstraat 14, 6003 DK Weert, Netherlands
 P +31 (0) 495 580 852
 F +31 (0) 495 580 845

Asia Pacific **A** Office No. 918 on 9/F, Shatin Galleria
 18-24 Shan Mei Street
 Fotan, Shatin, Hong Kong
 P 852 2145 4099
 F 852 2145 4477

