

### PORTABLE FLAT PANEL STAND

Color	Black
Mounting Pattern Compatibility (Universal Versions)	200 x 200 - 860 x 515 mm
Manual Height Adjustment	114 -183 cm in 25 mm increments
Orientation	Landscape and Portrait
Shipping Weight	49.9 kg
Net Weight	36 kg
Solution Type	Universal
Weight Capacity	90.7 kg
Base dimensions	913 x 851 mm

\*Always check compatibility with the Chief mountfinder on Milestone.com



Color option:



### SPECIFICATIONS

- Fast set up and tear down
- Intuitive, tool-less installation
- Rugged design withstands heavy use
- Folds up for easy transport and storage
- Integrated cable management
- Includes Universal (PSBUB) Interface with 200x200 - 860x515 mounting compatibility
- Supports padlock security
- Weight capacity: 90.7 kg
- Shipping weight: 49.9 kg
- Net weight: 36 kg
- Supports portrait and landscape orientations
- Lockable latch for added padlock security
- Color: Black

### ACCESSORIES



#### PAC900

Portable Flat Panel Stand Case. Rugged design - Put away and pull out parts of stand in the order needed.

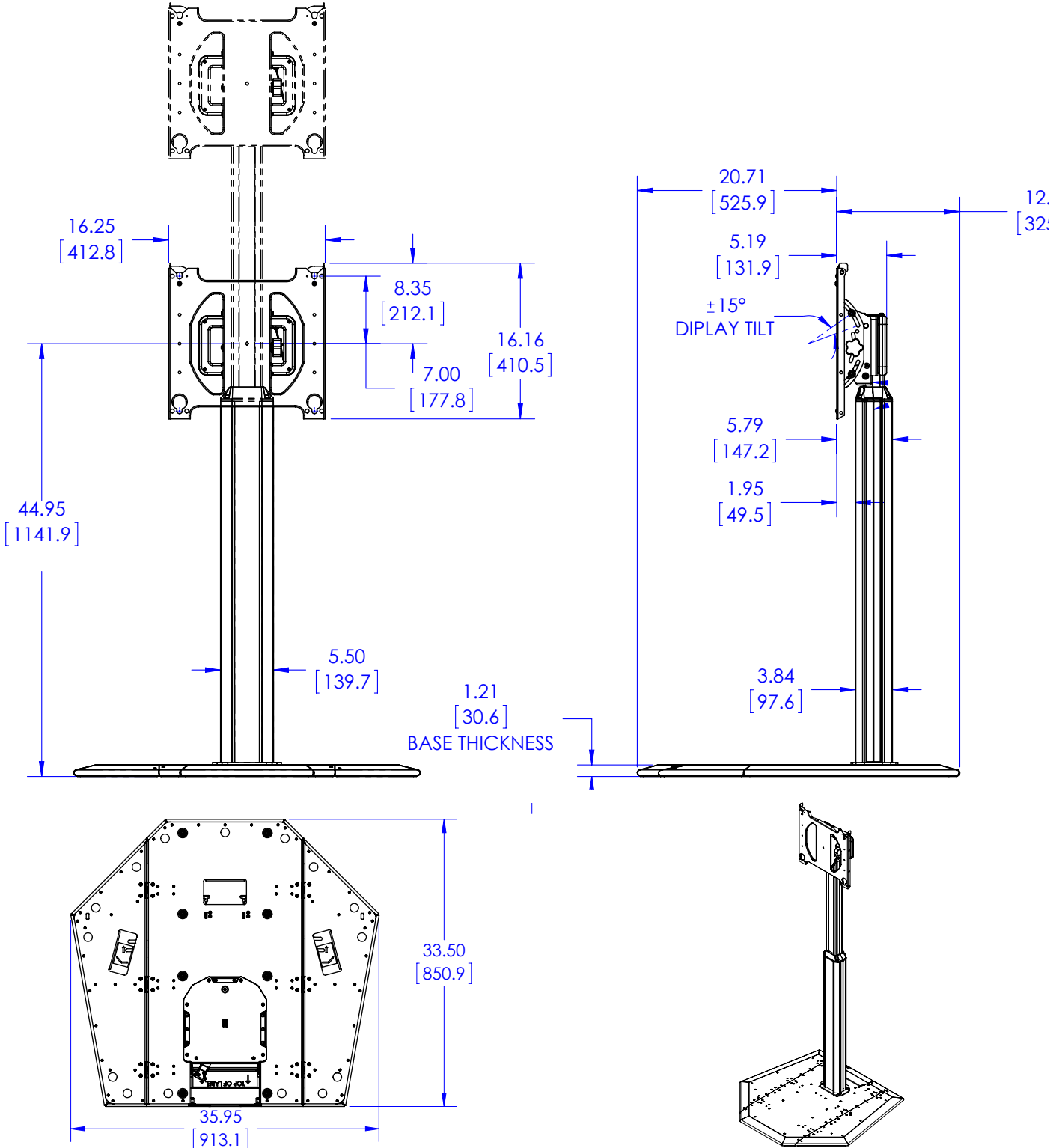


#### PAC910

Portable Flat Panel Stand Shelf. Durable as the stand and designed for fast, tool-less installation and removal.

## TECHNICAL DRAWINGS

Dimensions in mm.



A BRAND OF MILESTONE AV TECHNOLOGIES - [www.milestone.com](http://www.milestone.com)

USA P 800.582.6480 / +1.952.225.6000 - +1.952.894.6918  
 Canada P 877.345.4329 - canadainfo@milestone.com  
 EMEA P +31 495 580 840 - emea.sales@milestone.com  
 Asia Pacific P +852 2145 4099 - asia.chief@milestone.com