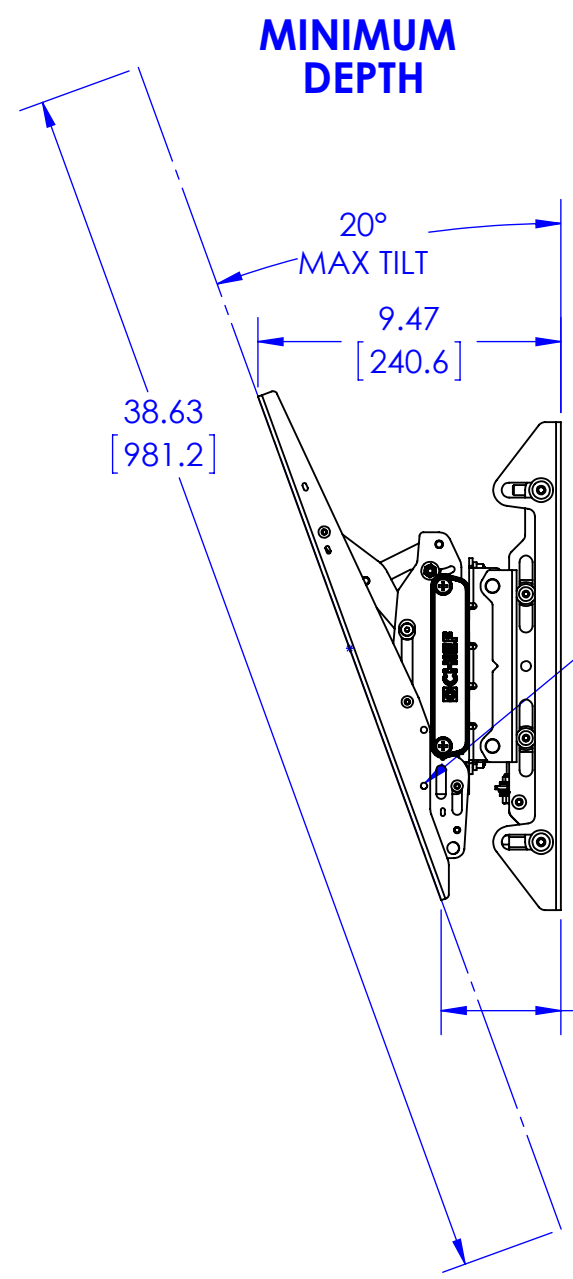


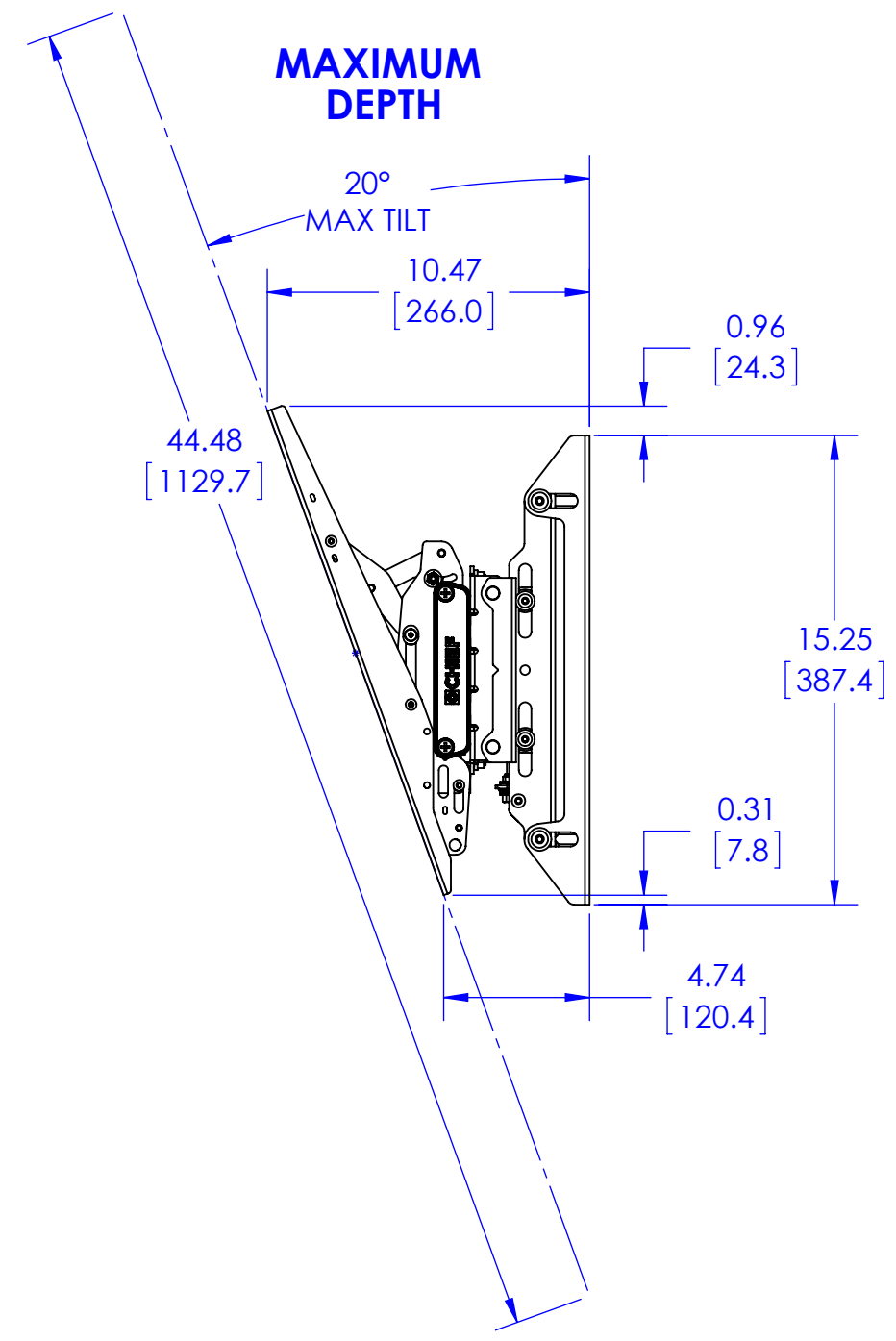
3 WIDE LANDSCAPE					
EXTRUSION LENGTH (IN.)	MINIMUM SCREEN WIDTH TO HIDE BAR (IN.)	MOUNTING PATTERN WIDTH (mm)	DISTANCE BETWEEN SCREENS (IN.)	MAX SCREEN WIDTH (IN.)	TOTAL SCREEN WIDTH (IN.)
108	36.33	600	0.0625	41.13	123.50
		400		45.06	135.19
		300		47.03	141.10
		200		49.00	147.00

THE INFORMATION AND DESIGNS CONTAINED IN THIS DRAWING ARE CONFIDENTIAL AND THE PROPRIETARY PROPERTY OF MILESTONE AV TECHNOLOGIES NEITHER THIS DESIGN NOR ANY INFORMATION CONTAINED IN THIS DRAWING MAY BE REPRODUCED OR DISCLOSED TO OTHERS WITHOUT THE EXPRESS WRITTEN CONSENT OF MILESTONE AV TECHNOLOGIES.

CAD GENERATED DRAWING, DO NOT MANUALLY UPDATE.			CHIEF 6436 CITY WEST PKWY EDEN PRAIRIE MN, 55344 PHONE: 866-977-3901 FAX: 877-894-6918
DRAWN BY	JAB	3/23/2015	
ENG APPROVAL			DESCRIPTION MENU-BOARD, WALL MOUNTED, 3 WIDE
MFG APPROVAL			MODEL NO. LWM3X1U
QA APPROVAL			SIZE DWG. NO. REV. B TECH-000705 00
SHEET 1 OF 2			SCALE 1:16



POSITIVE TILT LOCKOUTS AT 0°, 10°, AND 20°



THE INFORMATION AND DESIGNS CONTAINED IN THIS DRAWING ARE CONFIDENTIAL AND THE PROPRIETARY PROPERTY OF MILESTONE AV TECHNOLOGIES NEITHER THIS DESIGN NOR ANY INFORMATION CONTAINED IN THIS DRAWING MAY BE REPRODUCED OR DISCLOSED TO OTHERS WITHOUT THE EXPRESS WRITTEN CONSENT OF MILESTONE AV TECHNOLOGIES.

CAD GENERATED DRAWING, DO NOT MANUALLY UPDATE.			6436 CITY WEST PKWY EDEN PRAIRIE MN, 55344 PHONE: 866-977-3901 FAX: 877-894-6918
DRAWN BY	JAB	3/23/2015	
ENG APPROVAL			DESCRIPTION
MFG APPROVAL			MENU-BOARD, WALL MOUNTED, 3 WIDE
QA APPROVAL			MODEL NO.
SHEET 2 OF 2			LWM3X1U
SCALE	1:16	SIZE	DWG. NO.
		B	TECH-000705
		REV.	00