

USB Type-C Plug		Wire		USB 3.1 Standard-A plug	
Pin	Signal Name	Wire Number	Signal Name	Pin	Signal Name
A1, B1, A12, B12	GND	1	GND_PWRrt1	4	GND
		7, 10	SDP1_Drain, SDP2_Drain	7	GND_DRAIN
A4, B4, A9, B9	VBUS	2	PWR_VBUS1	1	VBUS
A5	CC				
B5	VCONN				
A6	Dp1	3	UTP_Dp	3	D+
A7	Dn1	4	UTP_Dn	2	D-
A2	SSTXp1	5	SDPp1	6	StdA_SSRX+
A3	SSTXn1	6	SDPn1	5	StdA_SSRX-
B11	SSRXp1	8	SDPp2	9	StdA_SSTX+
B10	SSRXn1	9	SDPn2	8	StdA_SSTX-
Shell	Shield	Braid	Shield	Shell	Shield

Notes:

**NOTE:**

- 1.100% open short & miss wire test;
- 2.RoHS 2.0 AND REACH compliant
- 3.PRINTING: SUPER HIGH SPEED USB3.1 CABLE E\*\*\*\*\* AWM 2725 80°C 30V VW-1 DESAN WIRE
- 4.PACKING:1PCS/INLINE Blister+LABEL1

**MATERIAL LIST:**

NO.	PARTS NAME	SPECIFICATION STANDARD	QT' Y	REMARK
⑤	OUTER MOLD	PVC color For black	2	
④	INNER MOLD	LD-PE	2	
③	USB 3.0 A TYPE	USB 3.0 A Male Type, The Pin Gold Plating, the shell for Nickel Plating	1	
②	USB C TYPE	USB Type C Male Solder Type, Black PBT Insulation, The Pin Gold Plating, the shell for Nickel Plating	1	
①	CABLE	USB 3.1 32AWG BC*4coaxial+32AWG BC*1P+23AWG BC*2C+AEB, JACKET:PVC/black OD:4.3±0.2mm	1	

ITEM NO.	LENGTH	COLOUR	Emark	Current	Data	PACKING
35717	300±10MM	BLACK	W/O	Max 3A	Max 10G	30101A
35716	500±20MM	BLACK	W/O	Max 3A	Max 10G	30101A
35711	1000±20MM	BLACK	W/O	Max 3A	Max 10G	30101A
35714	1500±30MM	BLACK	W/O	Max 3A	Max 10G	30101A
35712	2000±30MM	BLACK	W/O	Max 3A	Max 10G	30101A

**INTOS ELECTRONIC AG**

Alei	Alvan	Add item no. :35717	2018.02.28	A2
Alvan	Arvin	Revise TC to BC, 24AWG to 23AWG, 35714 1.5A /35712 900mA to 3A	2017.8.21	A1
		NEW	2015.11.13	A
BY	CHK	REVISION RECORD MODIFICATIONS	DATE	REV.

CUSTOMER	GI	SEE THE CHART	see the chart
PRODUCT NAME	USB3.1 Gen2 A Male to Type C Male Cable	UNIT	MM
DRAWNBY	CHECKBY	APPOBY	DATE
Alei	Alvan		2018.02.28

Labeling sample:

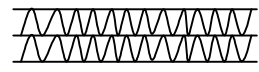


LABEL A

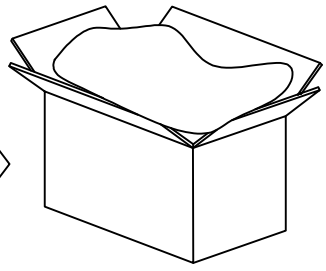
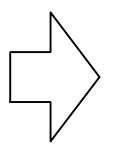
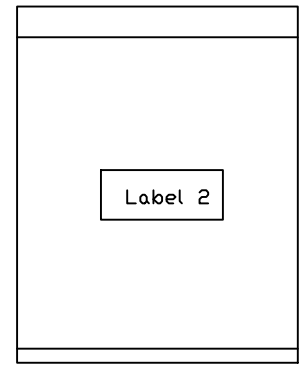
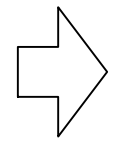
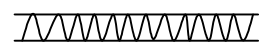
LABEL B

LABEL C

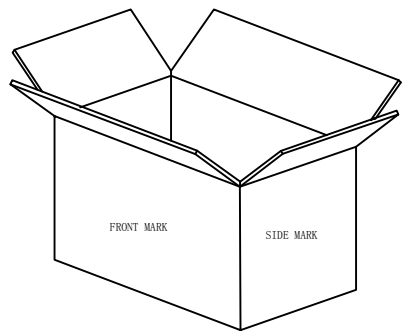
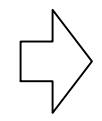
Five layer corrugated carton(outer carton):



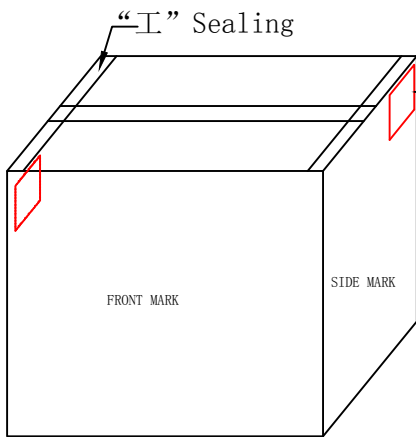
three layer corrugated carton(inner carton):



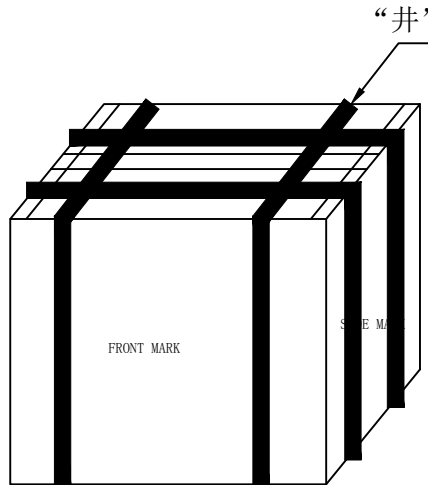
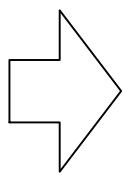
inner carton+Waterproof bag



Outer carton



Outer carton



Outer carton

“井” Packaging

FRONT MARK

INLINE  
ROHS COMPLIANT  
P/I:  
C/NO:  
MADE IN CHINA

SIDE MARK

XX.XX.XX  
Item no. :  
Q' TY:  
N. W:  
G. W:  
MEAS:

INTOS ELECTRONIC AG

Alei	Alvan	Add item no. :35717	2018.02.28	A2	CUSTOMER	GI	ITEM NO.	SEE THE CHART		
Alvan	Arvin	Revise TC to BC, 24AWG to 23AWG, 35714 1.5A /35712 900mA to 3A	2017.8.21	A1	PRODUCT NAME	PACKING			UNIT	MM
		NEW	2015.11.13	A	DRAWNBY	CHECKBY	APPOBY	DATE		
BY	CHK	REVISION RECORD MODIFICATIONS	DATE	REV.	Alei	Alvan		2018.02.28		