

**NOTE:**

1. 100% open short & miss wire test;
2. RoHS 2.0 AND REACH compliant
3. PRINTING: SUPER HIGH SPEED USB3.1 CABLE E\*\*\*\*\* AWM 2725 80°C 30V VW-1 DESAN WIRE
4. PACKING: 1PCS/INLINE Blister+LABEL1

**MATERIAL LIST:**

NO.	PARTS NAME	SPECIFICATION STANDARD	QT' Y	REMARK
⑤	OUTER MOLD	PVC color For black	2	
④	INNER MOLD	LD-PE	2	
③	USB 3.0 A TYPE	USB 3.0 A Male Type, The Pin Gold Plating, the shell for Nickel Plating	1	
②	USB C TYPE	USB Type C Male Solder Type, Black PBT Insulation, The Pin Gold Plating, the shell for Nickel Plating	1	
①	CABLE	USB 3.1 32AWG BC*4coaxial+32AWG BC*1P+23AWG BC*2C+AEB, JACKET: PVC/black OD: 4.3±0.2mm	1	

ITEM NO.	LENGTH	COLOUR	Emark	Current	Data	PACKING
35717	300±10MM	BLACK	W/O	Max 3A	Max 10G	30101A
35716	500±20MM	BLACK	W/O	Max 3A	Max 10G	30101A
35711	1000±20MM	BLACK	W/O	Max 3A	Max 10G	30101A
35714	1500±30MM	BLACK	W/O	Max 3A	Max 10G	30101A
35712	2000±30MM	BLACK	W/O	Max 3A	Max 10G	30101A

**INTOS ELECTRONIC AG**

NO.	PARTS NAME	SPECIFICATION STANDARD	QT' Y	REMARK
	Alei	Alvan	Add item no. :35717	2018.02.28 A2
	Alvan	Arvin	Revise TC to BC, 24AWG to 23AWG, 35714 1.5A /35712 900mA to 3A	2017.8.21 A1
			NEW	2015.11.13 A
BY	CHK	REVISION RECORD MODIFICATIONS		DATE REV.

CUSTOMER		GI		SEE THE CHART	see the chart	
PRODUCT NAME		USB3.1 Gen2 A Male to Type C Male Cable		UNIT	MM	
DRAWNBY		CHECKBY		APPOBY		DATE
Alei		Alvan				2018.02.28

Labeling sample:

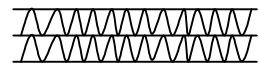


LABEL A

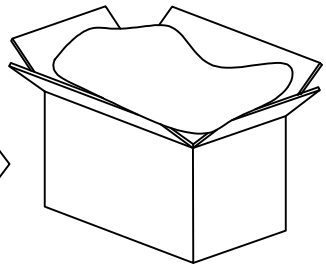
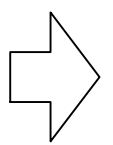
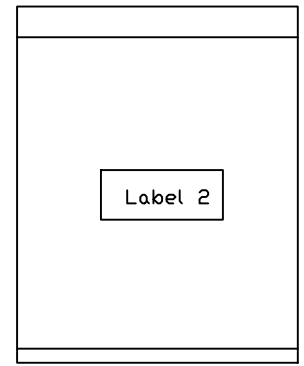
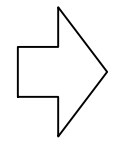
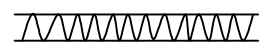
LABEL B

LABEL C

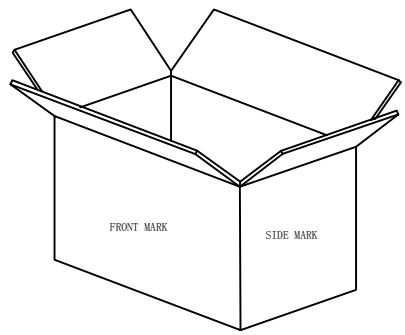
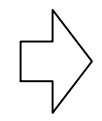
Five layer corrugated carton(outer carton):



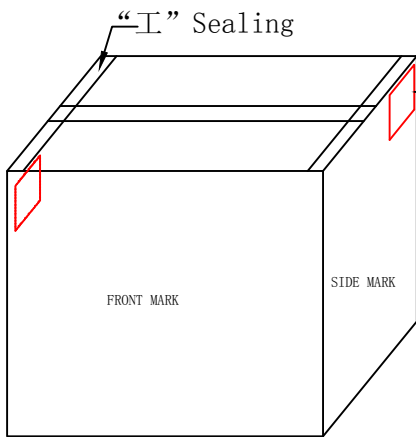
three layer corrugated carton(inner carton):



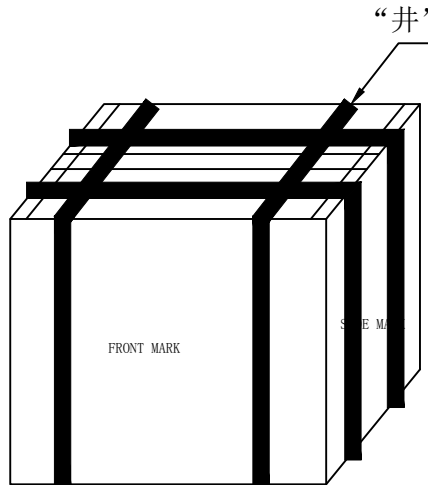
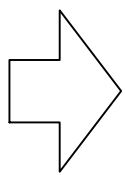
inner carton+Waterproof bag



Outer carton



Outer carton



Outer carton

“井” Packaging

FRONT MARK

INLINE  
ROHS COMPLIANT  
P/I:  
C/NO:  
MADE IN CHINA

SIDE MARK

XX.XX.XX  
Item no. :  
Q' TY:  
N. W:  
G. W:  
MEAS:

INTOS ELECTRONIC AG									
Alei	Alvan	Add item no. :35717	2018.02.28	A2	CUSTOMER	GI	ITEM NO.	SEE THE CHART	
Alvan	Arvin	Revise TC to BC, 24AWG to 23AWG, 35714 1.5A /35712 900mA to 3A	2017.8.21	A1	PRODUCT NAME	PACKING		UNIT	MM
		NEW	2015.11.13	A	DRAWNBY	CHECKBY	APPOBY	DATE	
BY	CHK	REVISION RECORD MODIFICATIONS	DATE	REV.	Alei	Alvan		2018.02.28	