

ITEM NO.	LENGTH	COLOUR	Emark	Current	Data	PACKING
35706	500±20MM	BLACK	W/E	Max 5A	Max 10G	20101A
35701	1000±20MM	BLACK	W/E	Max 5A	Max 10G	20101A
35704	1500±30MM	BLACK	W/E	Max 5A	Max 10G	20102A
35702	2000±30MM	BLACK	W/E	Max 5A	Max 10G	20102A


USB Type-C Plug #1		Wire		USB Type-C Plug #2	
Pin	Signal Name	Wire Number	Signal Name	Pin	Signal Name
A1, B1, A12, B12	GND	1 [16]	GND_PWRrt1 [GND_FWRrt2]	A1, B1, A12, B12	GND
A4, B4, A9, B9	VBUS	2 [17]	PWR_VBUS1 [PWR_VBUS2]	A4, B4, A9, B9	VBUS
A5	CC	3	CC	A5	CC
B5	VCONN	18	PWR_VCONN (See Section 4.9)	B5	VCONN
A6	Dp1	4	UTP_Dp	A6	Dp1
A7	Dn1	5	UTP_Dn	A7	Dn1
A2	SSTXp1	6	SDPp1	B11	SSRXp1
A3	SSTXn1	7	SDPn1	B10	SSRXn1
B11	SSRXp1	8	SDPp2	A2	SSTXp1
B10	SSRXn1	9	SDPn2	A3	SSTXn1
B2	SSTXp2	10	SDPp3	A11	SSRXp2
B3	SSTXn2	11	SDPn3	A10	SSRXn2
A11	SSRXp2	12	SDPp4	B2	SSTXp2
A10	SSRXn2	13	SDPn4	B3	SSTXn2
A8	SBU1	14	SBU_A	B8	SBU2
B8	SBU2	15	SBU_B	A8	SBU1
Shell	Shield	Braid	Shield	Shell	Shield

MATERIAL LIST:

⑤	OUTER MOLD	PVC color For black	2	
④	INNER MOLD	LD-PE	2	
③	USB C TYPE 2	USB C/M Solder Type, Black PBT Insulation, The Pin Gold Plating, the shell for Nickel Plating	1	
②	USB C TYPE 1	USB C/M Solder Type, Black PBT Insulation, The Pin Gold Plating, the shell for Nickel Plating	1	
①	CABLE	USB 3.1 CABLE 8 coaxial 32AWG TC ,PVC/BLACK OD:4.5±0.2mm	1	
NO.	PARTS NAME	SPECIFICATION STANDARD	QT'Y	REMARK

NOTE:

1. 100% open short & miss wire test;
2. ROHS 2.0 COMPLIANT
3. PRINTING: EXXXXXX RL AWM STYLE 2725 80°C 30V VW-1 SUPER HIGH SPEED USB Revision 3.1 PAK HENG
4. PACKING: 1PCS/INLINE BAG+LABEL1, 10PCS/PE BAG+LABEL2

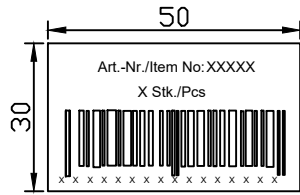
 AKTIENGESELLSCHAFT					
PRODUCT NAME	USB 3.1 GEN 2 CM/CM	DRAW NO.		UNIT	MM
DRAWNBY	CHECKBY	APPOBY	DATE		
FERGUS			2015. 11. 12		

		NEW	2015. 11. 12	A
BY	CHK	REVISION RECORD MODIFICATIONS	DATE	REV.

Labeling sample:



LABEL A

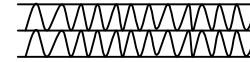


LABEL B

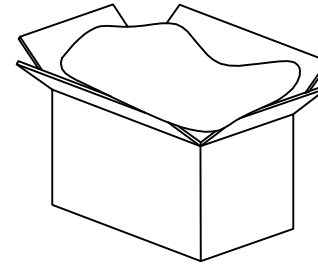
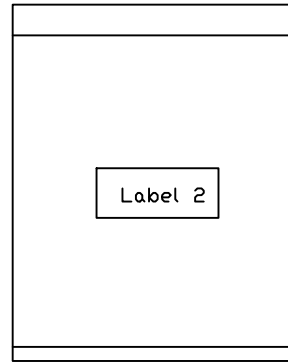
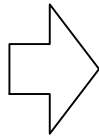
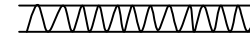


LABEL C

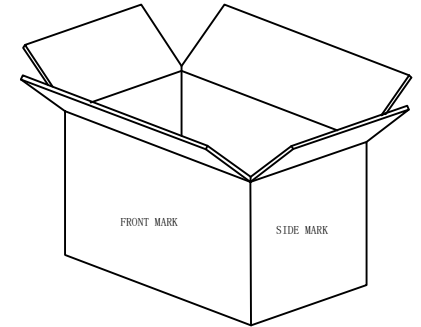
Five layer corrugated carton(outer carton):



three layer corrugated carton(inner carton):

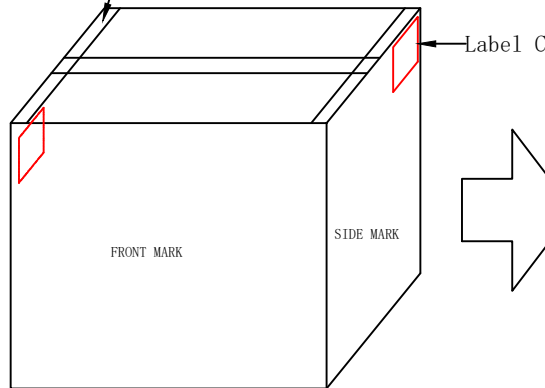


inner carton+Waterproof bag



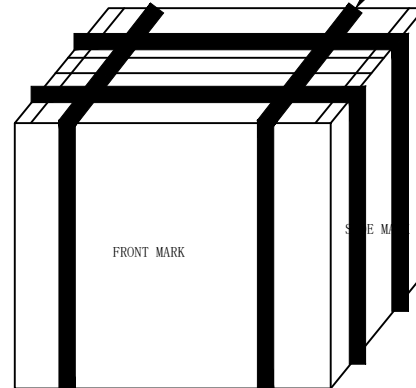
Outer carton

“工” Sealing



Outer carton

“井” Packaging



Outer carton

FRONT MARK

INLINE
ROHS COMPLIANT
P/I:
C/NO:
MADE IN CHINA

SIDE MARK

XX.XX.XX
Item no.:
Q' TY:
N. W:
G. W:
MEAS:



					PRODUCT NAME	PACKING	UNO ITEM NO.	UNIT	MM
		NEW		2015-11-13	A	DRAWNBY	CHECKBY	APPOBY	DATE
BY	CHK	REVISION RECORD MODIFICATIONS		DATE	REV.	FERGUS			2015-11-13