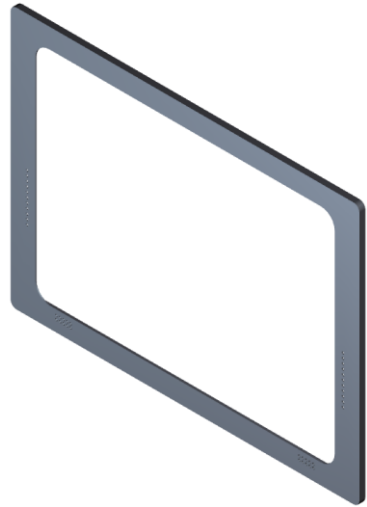




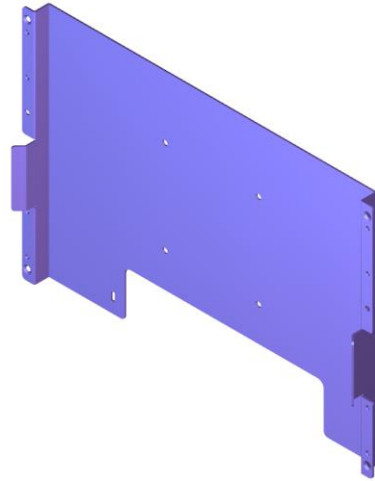
# TD-1050/D-1050 Recess Mount Installation Guide

2016-11-03

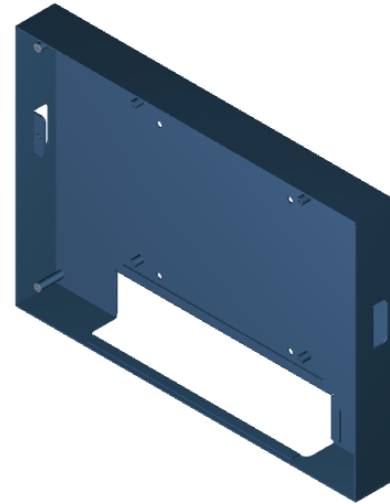
# Contents



1 Front cover with lock striker



2 Monitor bracket with lock catch



3 Wall metal box



4 VESA mount screws x4



5 Monitor bracket screws x4



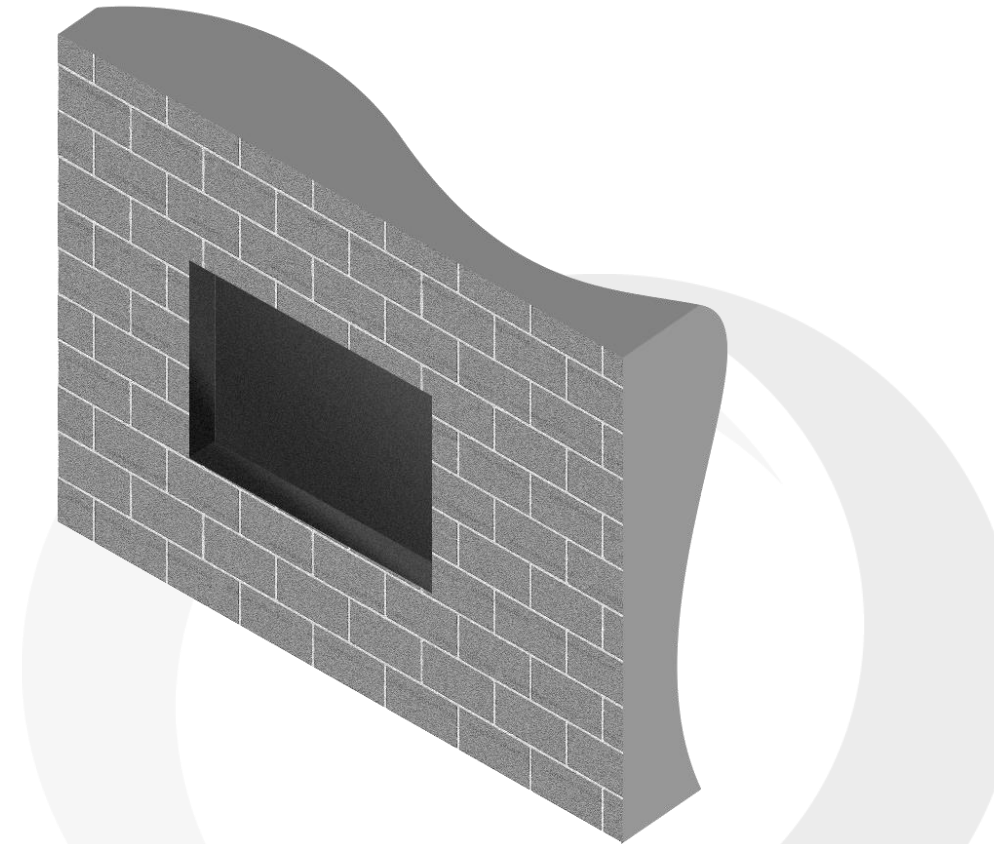
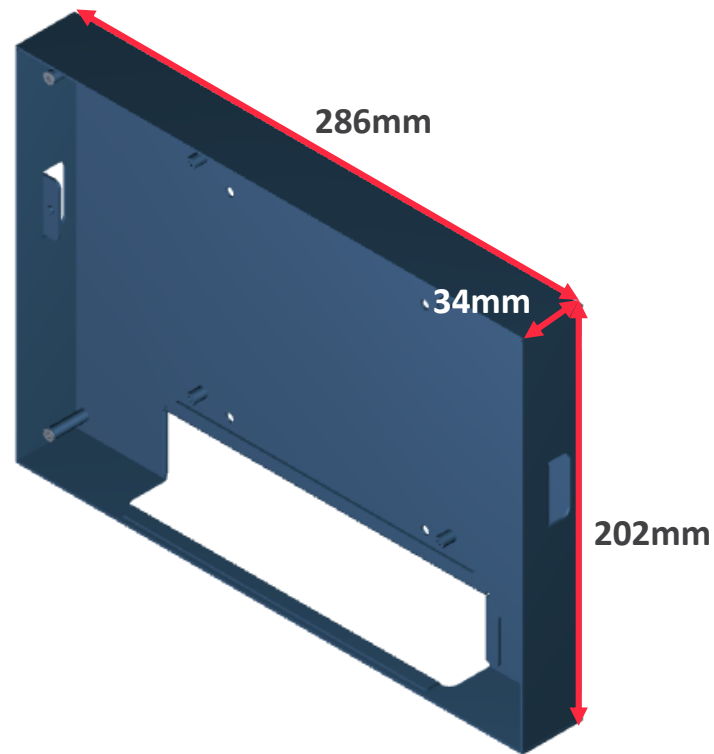
Lock striker



Lock catch

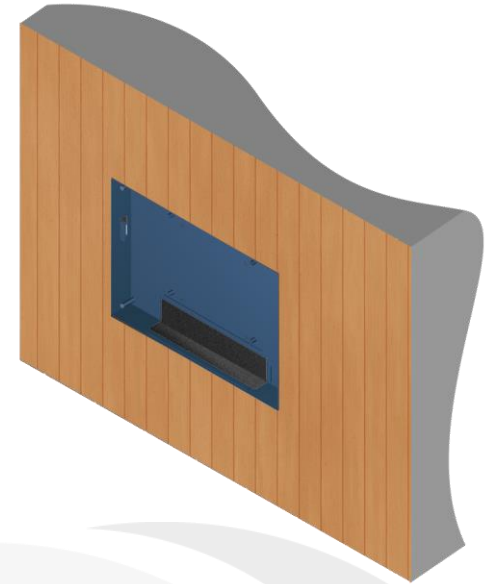
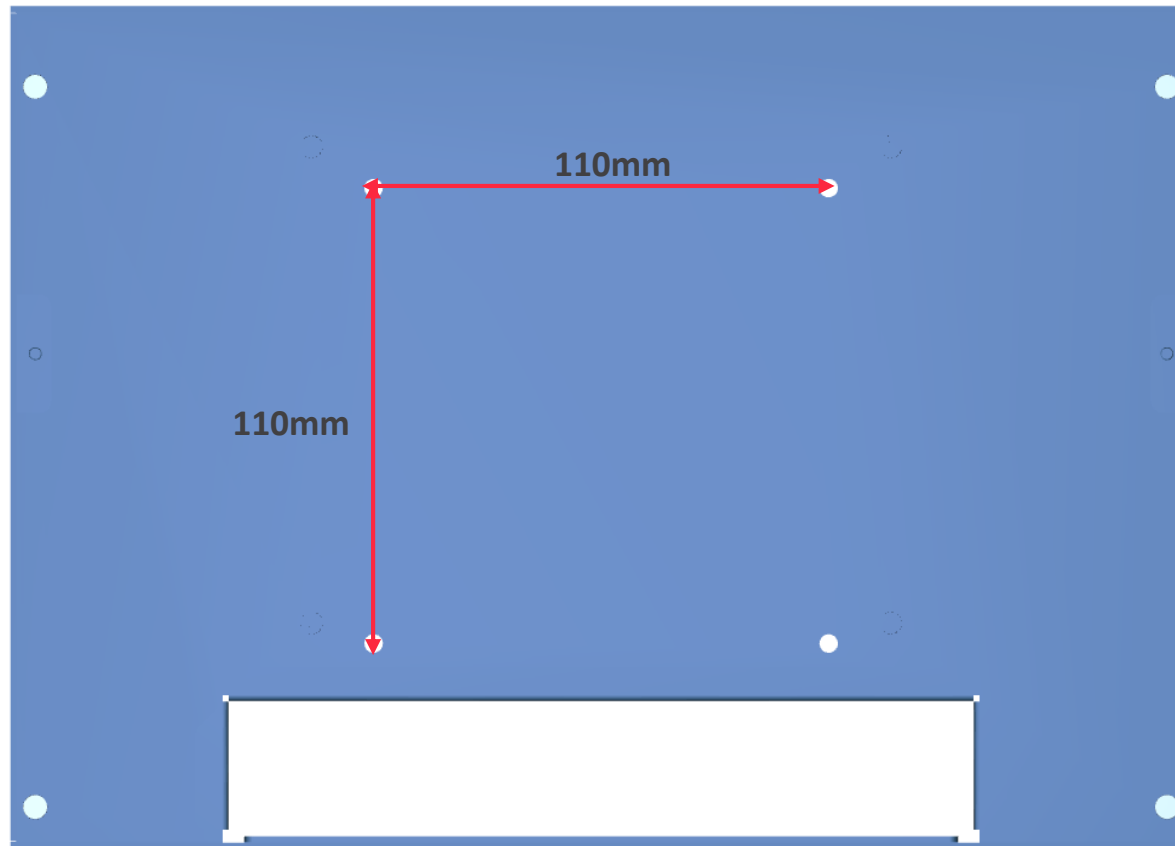
# Step 1

Make a cutout on the wall according to the cutout dimension of the wall metal box (286 x 202 x 34mm).



## Step 2

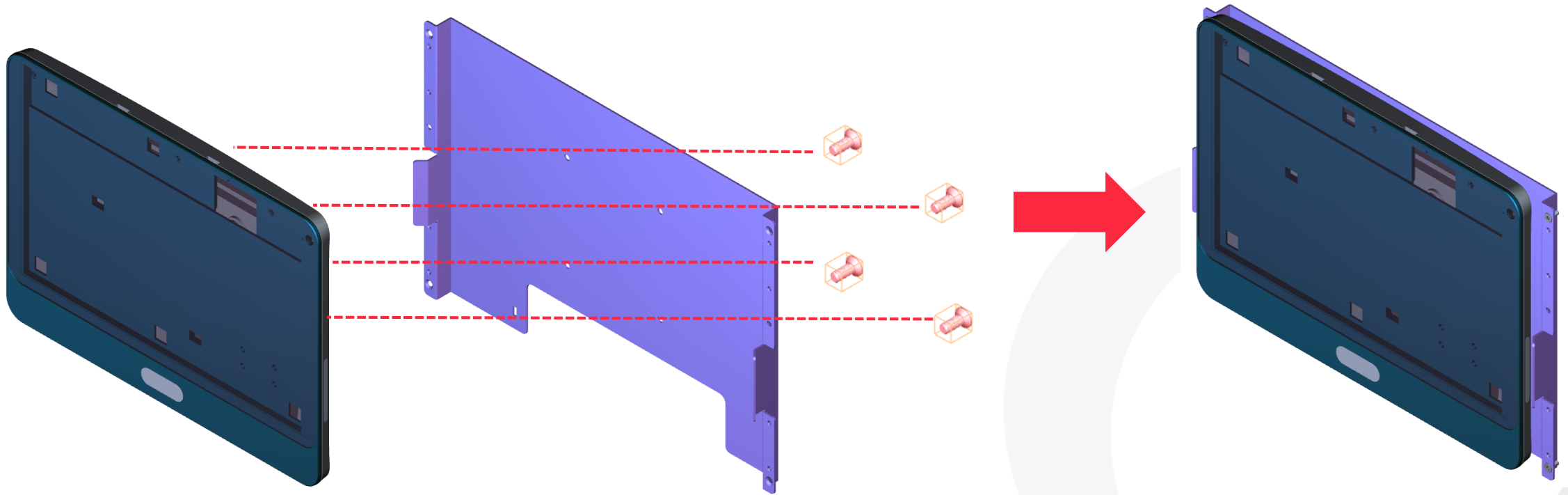
Use 4 pcs wall screws to fix the wall box into the wall.



Note:  
Installation processes should be  
done from front side of the wall.

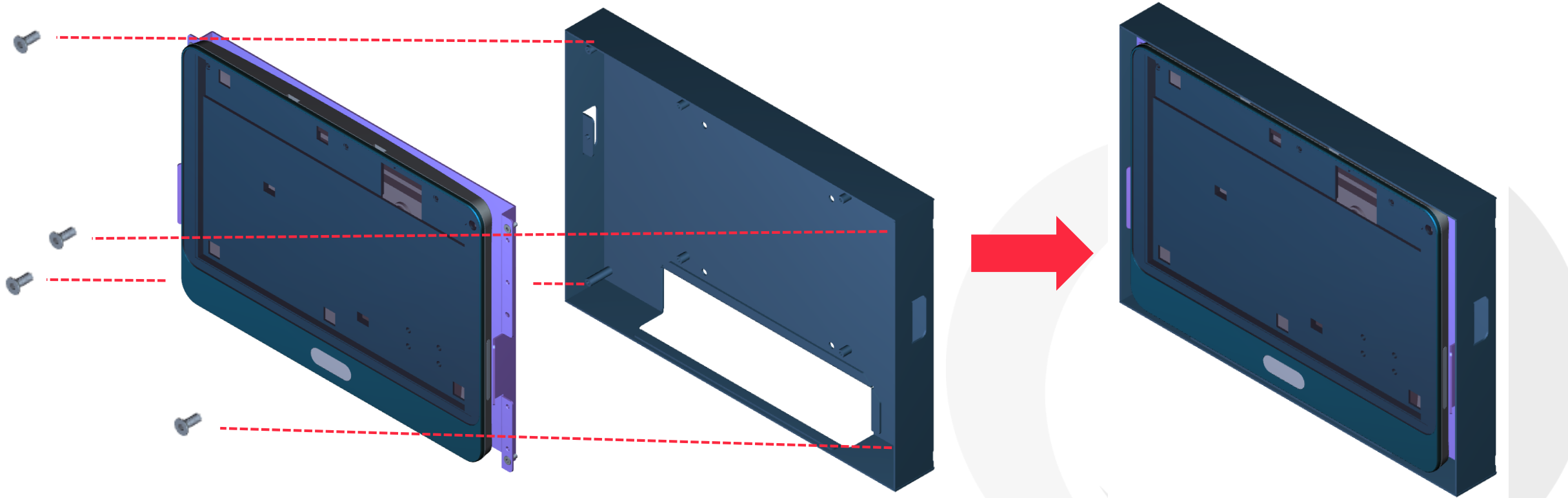
## Step 3

Use 4 pcs screws (in the package) to fix the panel PC with monitor bracket (VESA mount 75mm x 75mm).



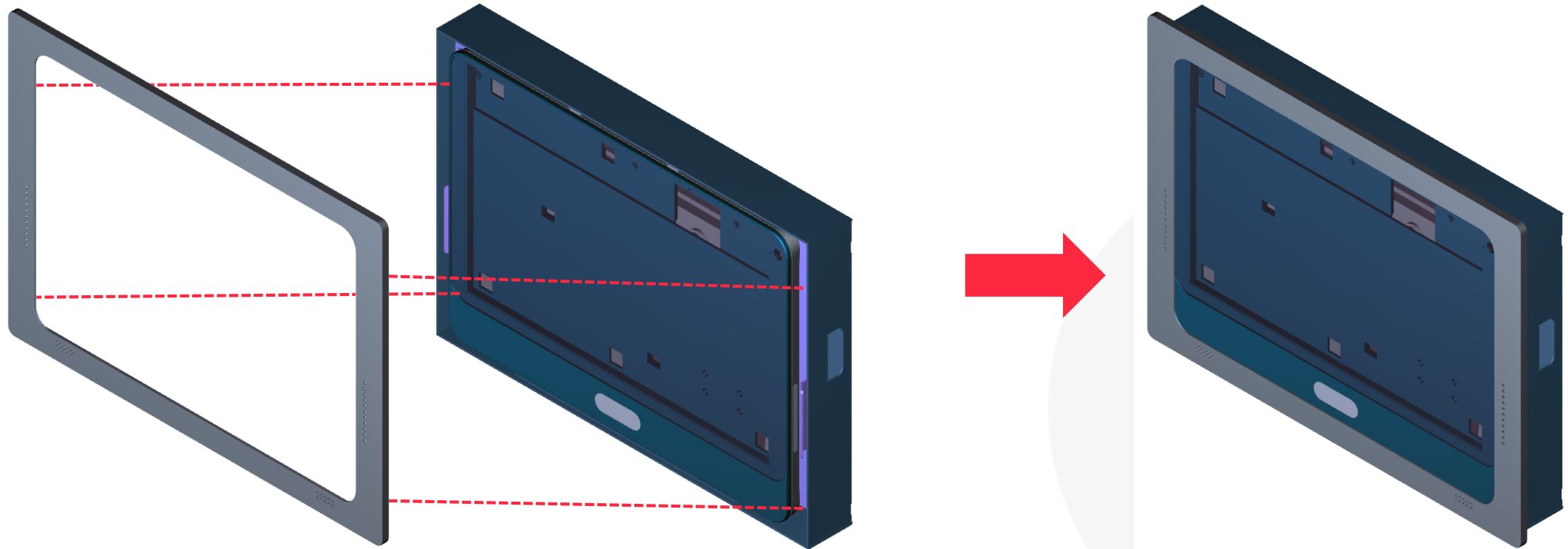
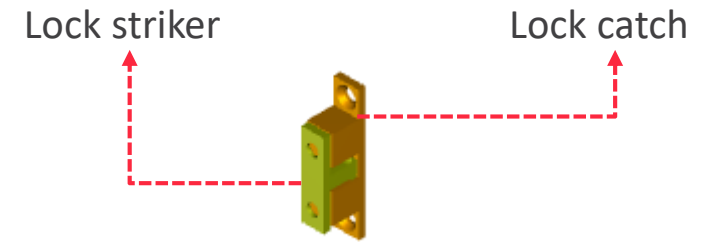
## Step 4

Use 4 pcs screws (in the package) to fix the panel PC onto the wall metal box.



## Step 5

Put the front cover onto the wall metal box, and make sure the strikers of the front cover match catches of the monitor bracket properly.



# Complete

