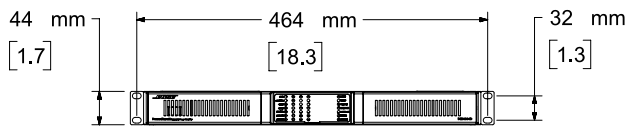
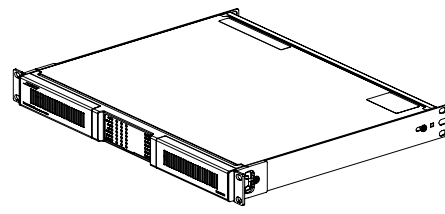
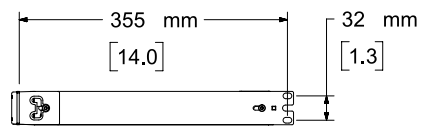


Top View



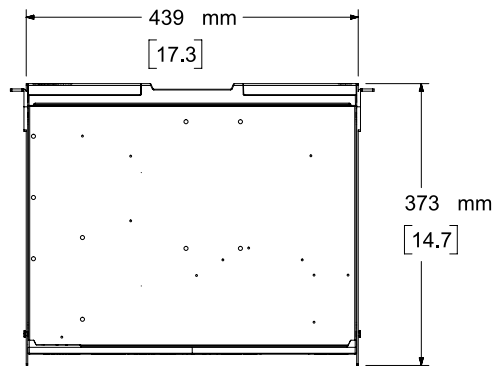
Front View



Right View
DIMENSIONS APPLY TO BOTH SIDES



Rear View



Bottom View

NOTES:
1. DIMENSIONS ARE IN MILLIMETERS OVER INCHES

	THIRD ANGLE PROJECTION		DESCRIPTION	
			POWERSHAREX PSX4804D	
	CAGE CODE	DOCUMENT NUMBER	VERSION	
		RF881599-MKTCAD4804		00.2
UNLESS OTHERWISE SPECIFIED INTERPRET THIS DRAWING PER ASME Y14.5M-1997		NOTICE		
PROFESSIONAL		2023 BOSE PROFESSIONAL THIS DRAWING MAY NOT BE COPIED, REPRODUCED, OR USED AS THE BASIS FOR MANUFACTURE OR SALE OF APPARATUS WITHOUT THE PRIOR WRITTEN AUTHORIZATION OF BOSE PROFESSIONAL.		
DO NOT SCALE DRAWING				