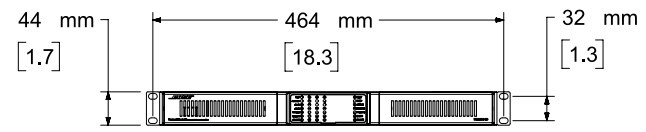
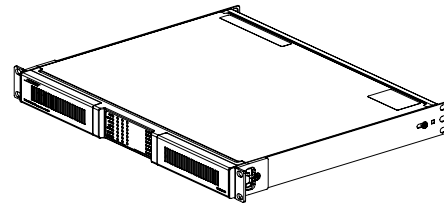
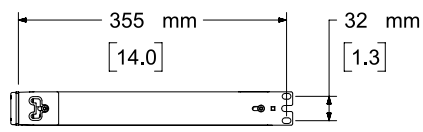


**Top View**



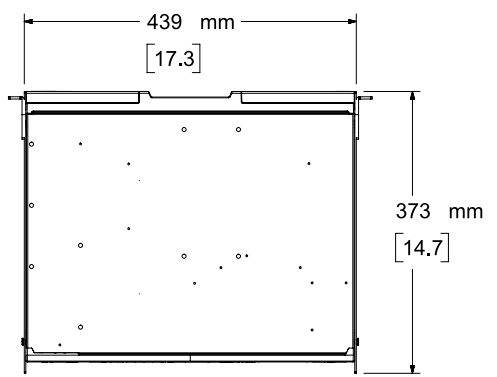
**Front View**



**Right View**  
DIMENSIONS APPLY TO BOTH SIDES



**Rear View**



**Bottom View**

NOTES:  
1. DIMENSIONS ARE IN MILLIMETERS OVER INCHES

	THIRD ANGLE PROJECTION	DESCRIPTION	
		<b>POWERSHAREX PSX2404D</b>	
UNLESS OTHERWISE SPECIFIED INTERPRET THIS DRAWING PER ASME Y14.5M-1997 <b>PROFESSIONAL</b>	CAGE CODE	DOCUMENT NUMBER	VERSION
		RF881599-MKTCAD2404	00.2
	DO NOT SCALE DRAWING		NOTICE
	2023 BOSE PROFESSIONAL THIS DRAWING MAY NOT BE COPIED, REPRODUCED, OR USED AS THE BASIS FOR MANUFACTURE OR SALE OF APPARATUS WITHOUT THE PRIOR WRITTEN AUTHORIZATION OF BOSE PROFESSIONAL.		