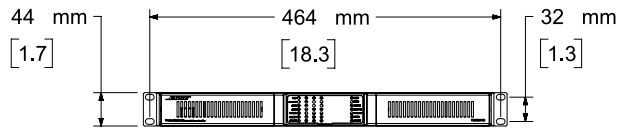
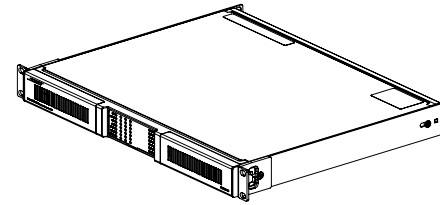
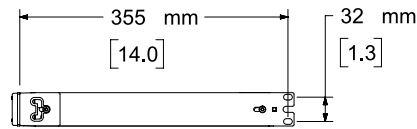


Top View



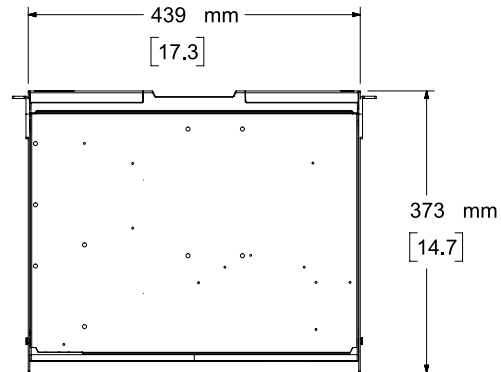
Front View



Right View
DIMENSIONS APPLY TO BOTH SIDES



Rear View



Bottom View

NOTES:
1. DIMENSIONS ARE IN MILLIMETERS OVER INCHES

		DESCRIPTION POWERSHAREX PSX1204D		
	UNLESS OTHERWISE SPECIFIED INTERPRET THIS DRAWING PER ASME Y14.5M-1997	CAGE CODE DO NOT SCALE DRAWING	DOCUMENT NUMBER RF881599-MKTCAD1204	VERSION 00.6
PROFESSIONAL		NOTICE 2023 BOSE PROFESSIONAL THIS DRAWING MAY NOT BE COPIED, REPRODUCED, OR USED AS THE BASIS FOR MANUFACTURE OR SALE OF APPARATUS WITHOUT THE PRIOR WRITTEN AUTHORIZATION OF BOSE PROFESSIONAL.		