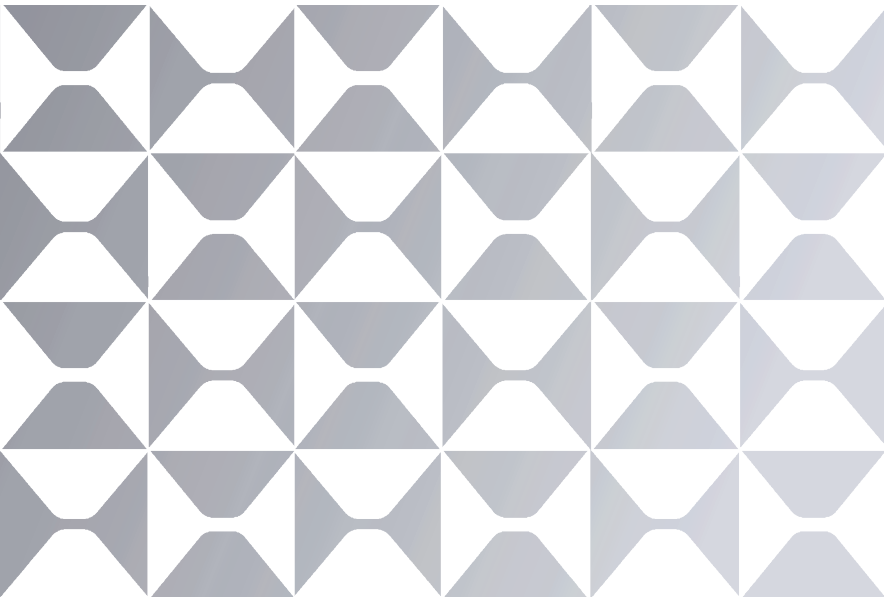


MAXHUB XCore Kit for Microsoft Teams Rooms

XCore Kit



Quick Start Guide

MAXHUB

Note: All the pictures in this manual are for reference only, please refer to the actual product.

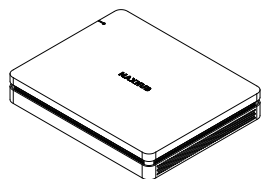
● Safety Warnings

Before using and operating this equipment, please read and observe the following precautions carefully to avoid dangerous or illegal operations.

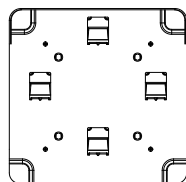
- (1) Please carefully read the QSG before using the product.
- (2) Before moving the product, please unplug the AC power cord from power socket.
- (3) Before connecting or disconnecting any signal cables, make sure that all the power cords are unplugged in advance.
- (4) To avoid damages caused by frequent start up and shutdown, please wait for at least 30seconds before restarting the product.
- (5) All the operations such as removal or installation shall be implemented on the electrostatic discharge (ESD) worktable, because some precision components are sensitive to electrostatic discharge.
- (6) If there is no ESD worktable, please take the following measures to minimize possible damages from electrostatic discharge: Wear an anti-static wrist strap during operation; Always touch the metal chassis of frame of the corresponding products before removal or installation of any components.
- (7) The normal working temperature for the product is 0°C~40°C, and the normal working humidity is 10%~90%RH.
- (8) Assure good cooling and ventilation.
- (9) There are heating hole on back cover, do not spray water to it or use damp cloth for cleaning.
- (10) Please call professional personnel for maintenance service.

● Statement

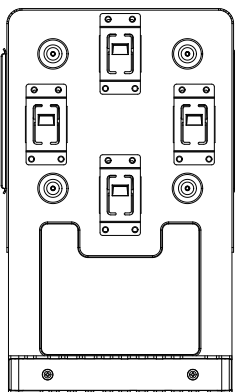
- ① Intellectual property right statement: The hardware design and software of this product are covered by the patents. Anyone who reproduces this product or the content of the instruction without the authorization of the Company shall assume legal liabilities.
- ② This manual is for reference only, and the actual function of the final product is subject to the actual function of the product received by the customer.
- ③ The picture is for reference only, please refer to the actual product. The company reserves the right to improve and change the appearance and design of the product without notice.

• Package Includes:**① XC13T Mini-PC x1**

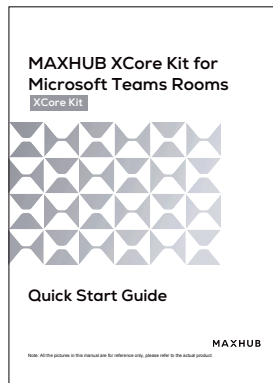
Mini PC×1



Wall Bracket×1



PC Bracket×1



Quick Start Guide×1



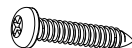
Cable Cover Screw×2



Machine Screw×4



Expansion Screw×4



Self-tapping Screw×4



Cable Cover×1

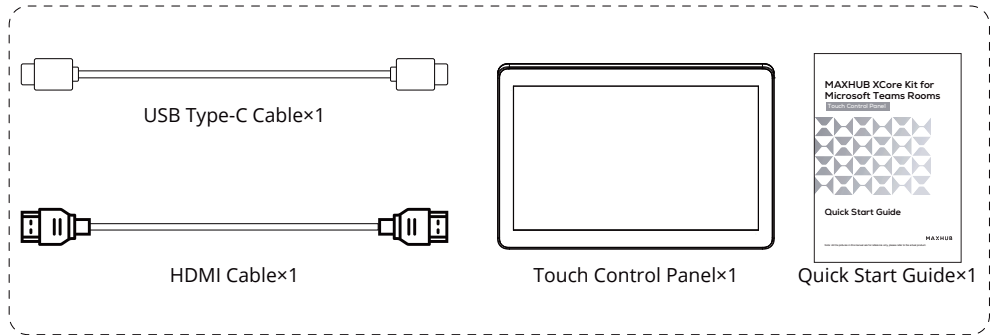


HDMI Cable×1



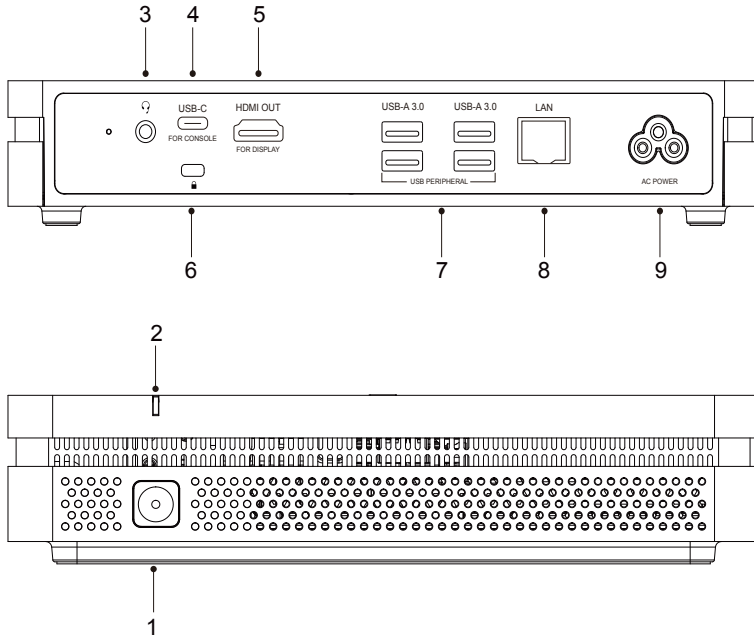
Power Cord×1

② TCP20T Touch Control Panel x1



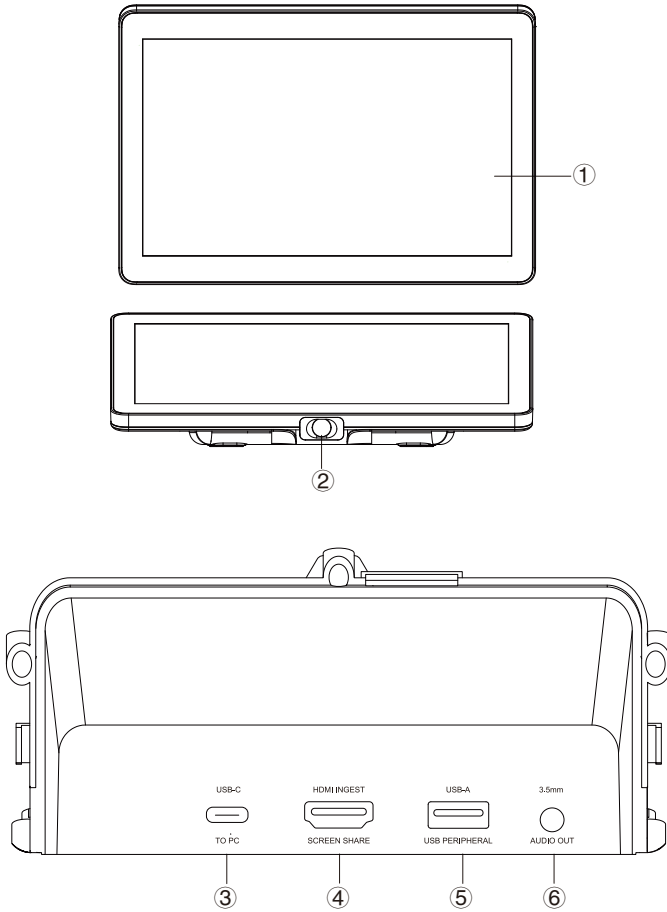
• Appearance Introduction

XC13T Mini-PC



| | |
|---|--|
| 1 | Power button |
| 2 | Power indicator light |
| 3 | AUDIO OUT: Audio output to the external speaker |
| 4 | USB-C: Power delivery (MAX: 45W), USB3.0 data transmission, DP Out. |
| 5 | HDMI OUT: Connected to the devices with HDMI input function(monitor). |
| 6 | Kensington security lock |
| 7 | USB-A 3.0: Connect USB3.0 devices such as USB disk, USB keyboard, USB mouse. |
| 8 | LAN: Connected to Ethernet |
| 9 | AC POWER: Power input |

TCP20T Touch Control Panel



| | |
|---|--|
| 1 | 10.1" Touch Screen |
| 2 | PIR: The screen will light up automatically when a person is detected in front of the screen. |
| 3 | USB-C: Support DP IN, USB downstream (3.0: HDMI signal, 2.0: Touch signal); PD15V/1.5A. |
| 4 | HDMI INGEST: Supports 4K@30Hz input. |
| 5 | USB-A: Connect USB devices such as mobile hard disk, U disk, USB keyboard, mouse, USB drives, etc. |
| 6 | AUDIO OUT: 3.5mm Jack. |

● Connection Diagram

- ① Complete the device connection according to the illustration, as shown in Figure 1.
- ② Press the Mini PC power button to start up, as shown in Figure 2.

Figure 1:

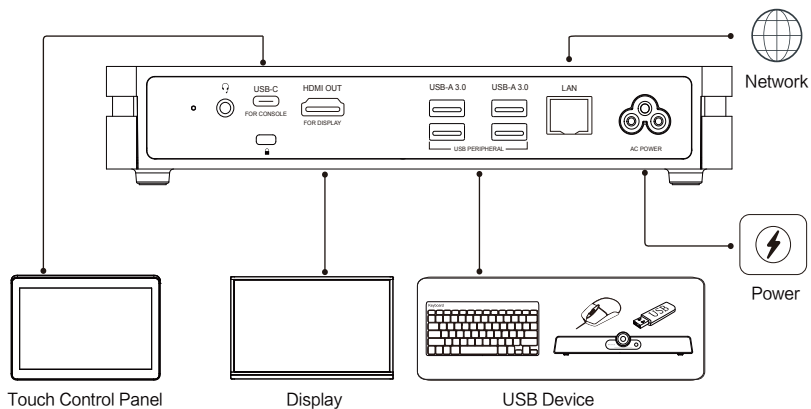
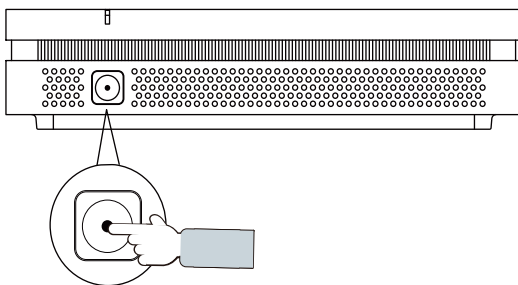
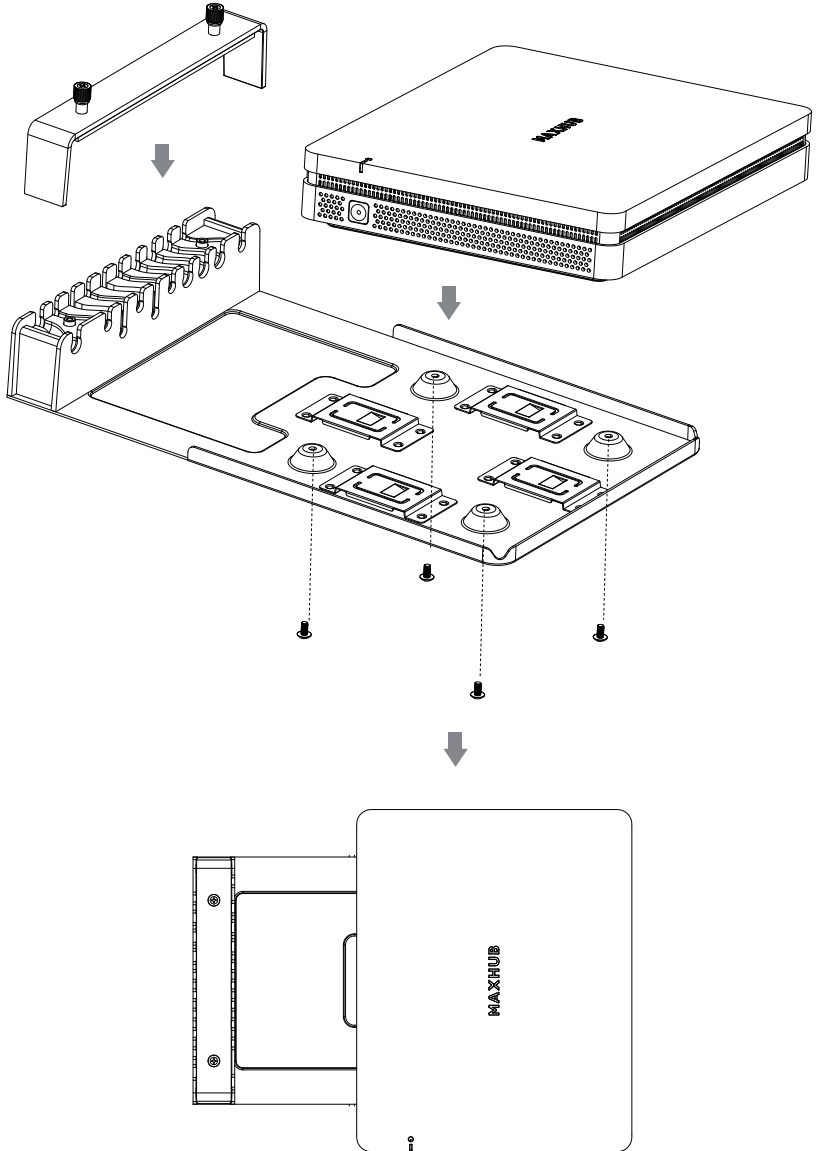


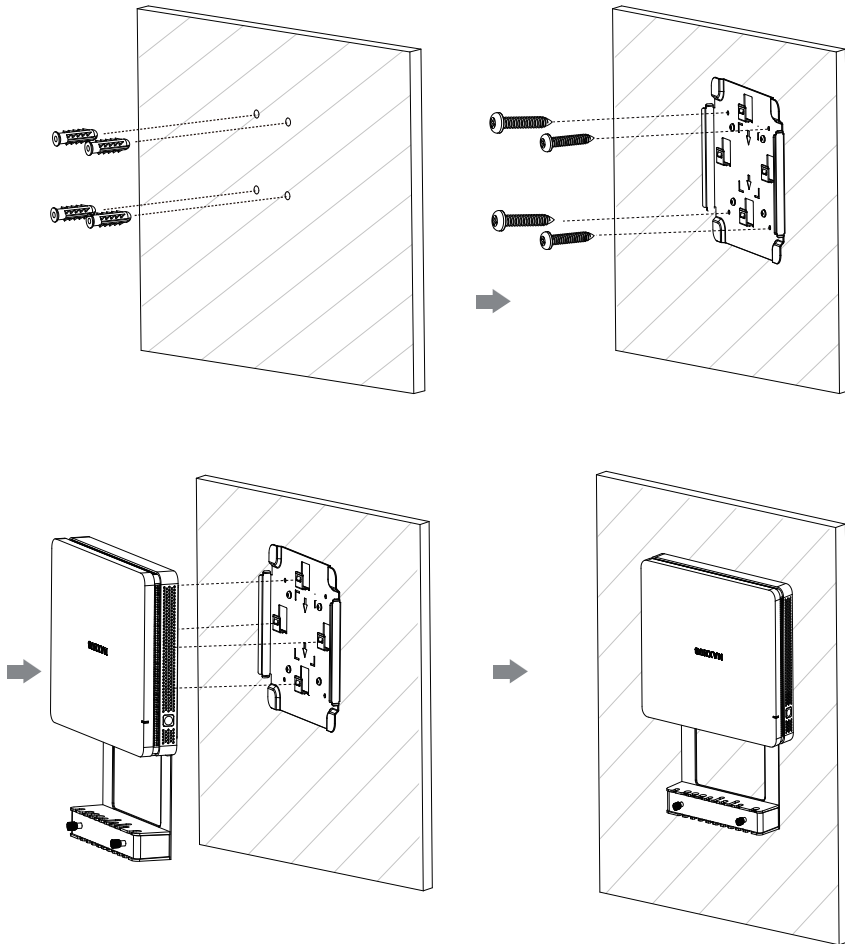
Figure 2:



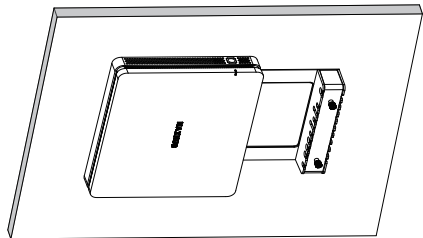
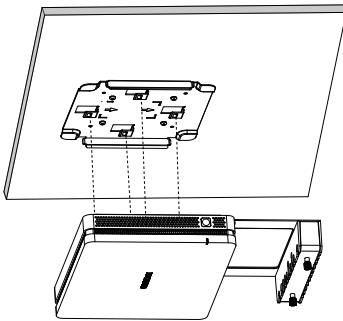
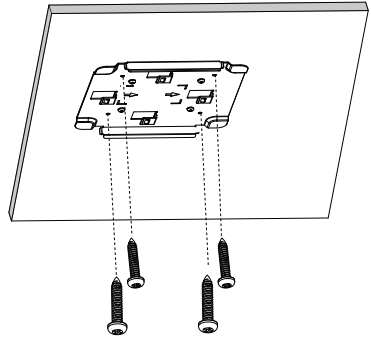
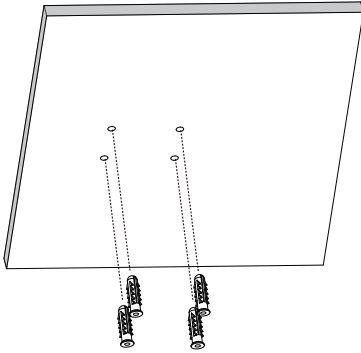
● XCore Installation



- XCore Installation - Mount on the wall



● XCore Installation - Mount below the table



● Maintenance

Proper maintenance can avoid many early faults and regular careful cleaning can make machine brand new.

Please unplug power plug before cleaning and maintenance, to prevent electric shock.

Clean Face Frame

Please use dry, soft, lint-free cloth to wipe front frame.

No Use of Machine for A Long Time

In case of no use of machine for a long time, such as holiday, please make sure to unplug the plug to prevent any possible dangers caused by power supply ripple from lightning.

● FCC Statement

This equipment has been tested and found to comply with the limits for a Class B digital device, pursuant to part 15 of the FCC Rules. These limits are designed to provide reasonable protection against harmful interference in a residential installation. This equipment generates, uses and can radiate radio frequency energy and, if not installed and used in accordance with the instructions, may cause harmful interference to radio communications. However, there is no guarantee that interference will not occur in a particular installation. If this equipment does cause harmful interference to radio or television reception, which can be determined by turning the equipment off and on, the user is encouraged to try to correct the interference by one or more of the following measures:

- Reorient or relocate the receiving antenna.
- Increase the separation between the equipment and receiver.
- Connect the equipment into an outlet on a circuit different from that to which the receiver is connected.
- Consult the dealer or an experienced radio/TV technician for help.

● FCC Warning

This device complies with Part 15 of the FCC Rules. Operation is subject to the following two conditions:

(1) this device may not cause harmful interference, and (2) this device must accept any interference received, including interference that may cause undesired operation.

Changes or modifications not expressly approved by the party responsible for compliance could void the user's authority to operate the equipment.



This symbol, affixed to the product or its packaging, indicates that the product must not be processed with household waste. It must be brought to an electric and electronic waste collection point for recycling and disposal. By the appropriate disposal of this product you also help in preventing potentially negative consequences for the environment and human health. The recycling of materials helps preserve our natural resources. For further information regarding the recycling of this product, please contact your municipality, local waste disposal center or the store where the product was purchased.



NOTICE: The terms HDMI and HDMI High-Definition Multimedia Interface, and the HDMI Logo are trademarks or registered trademarks of HDMI Licensing LLC in the United States and other countries.

MAXHUB

