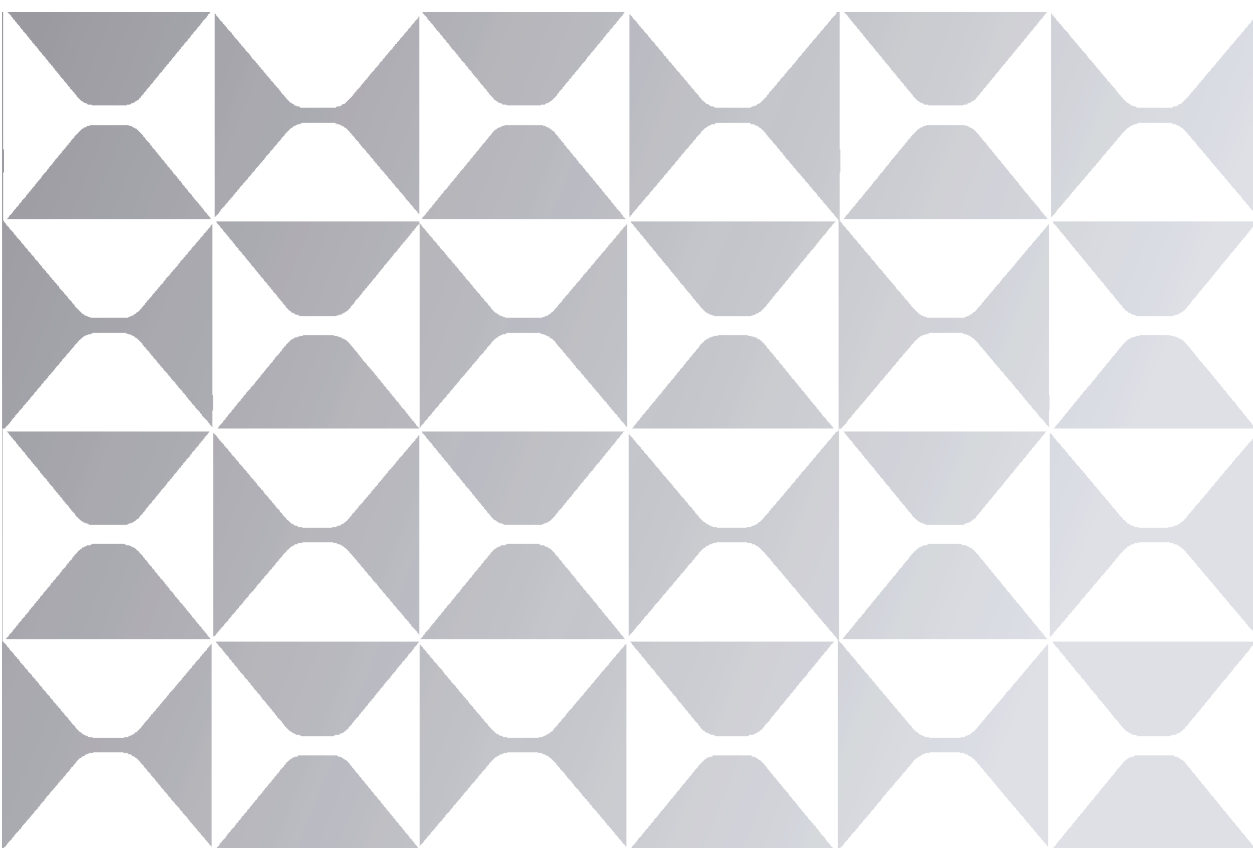


MAXHUB UC P30

Quick Start Guide



Thank you for choosing MAXHUB product.

To ensure that you are able to fully utilize the capabilities of the product, we ask that you please read this user manual carefully and thoroughly before using the device. Should you have any questions or require assistance, please do not hesitate to contact our technical support team for guidance.

⚠ Safety Warnings

Usage Environment

- (1) Do not use the equipment in dusty or humid areas to avoid internal circuit malfunctions.
- (2) Do not place the device near heat sources such as electric heaters.
- (3) The normal operating temperature for this device is 0~40℃, with a normal operating humidity of 10%~90%RH.

Children's Health

- (1) This device and its accessories may contain small parts, so please keep them out of reach of children to prevent any potential hazards.

Power Supply

- (1) Please use the adapter provided with this product.

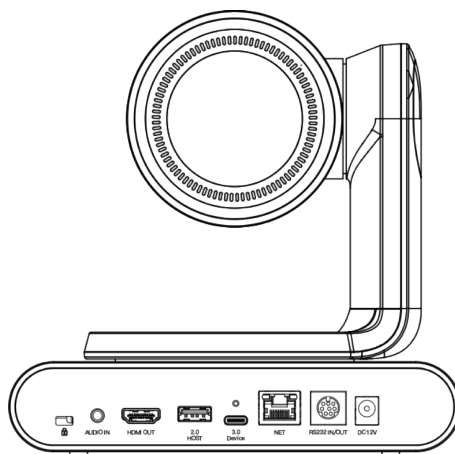
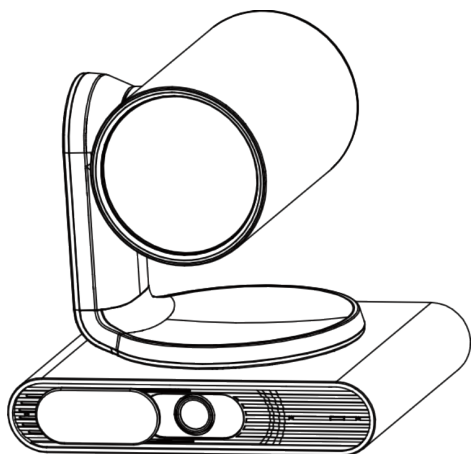
Waterproofing

- (1) This device is not waterproof, so please keep it dry.

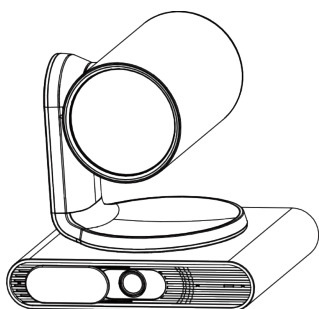
Maintenance and Care

- (1) For all repair services, please contact qualified service personnel. Do not attempt to dismantle or repair the device on your own. Please call our service hotline for repairs.
- (2) Do not insert any sharp objects into the device.
- (3) Avoid dropping or colliding with the device to prevent damage.

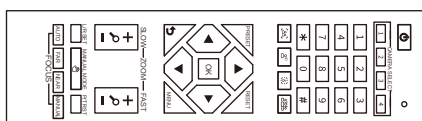
I. Appearance



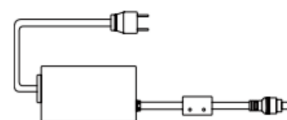
II. Package Content



UC P30



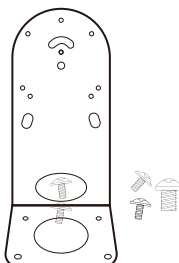
Remote Control



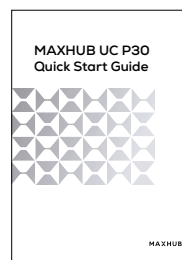
Power Adapter



USB-C to USB-A Cable
(1.8m / 5.9 ft)



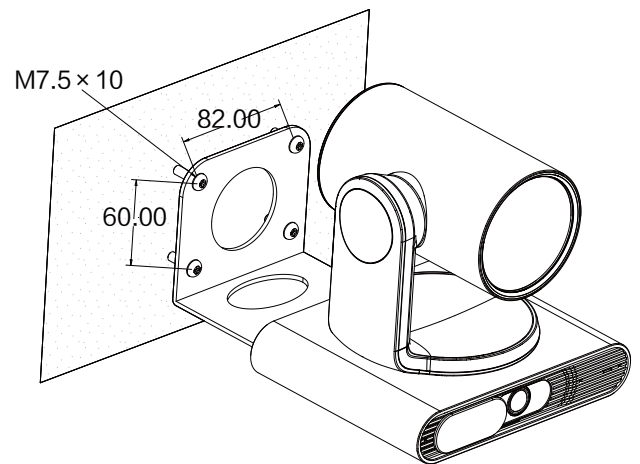
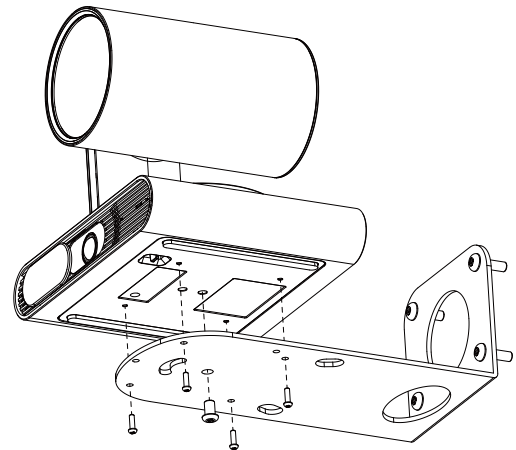
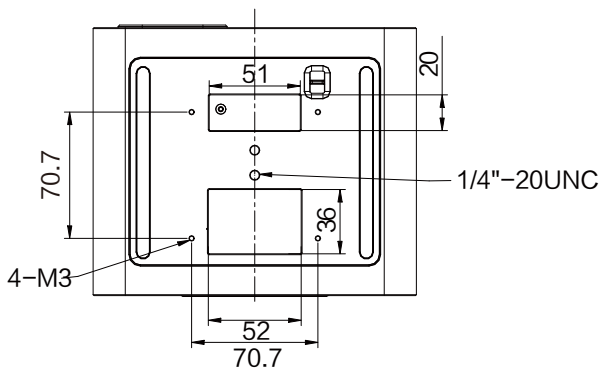
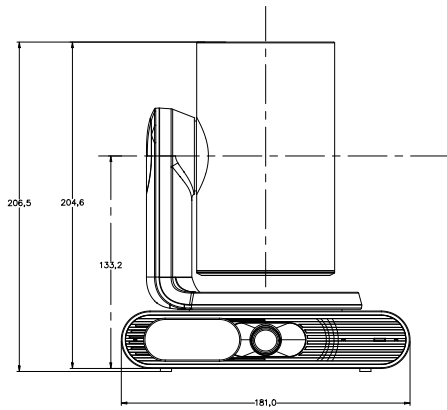
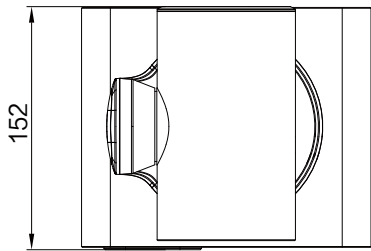
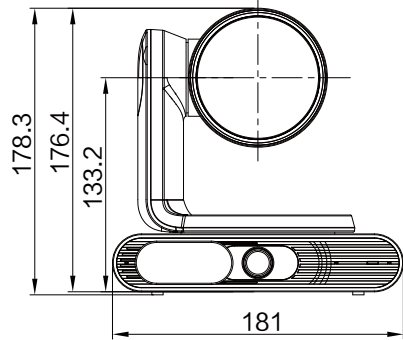
Wall mount Kits



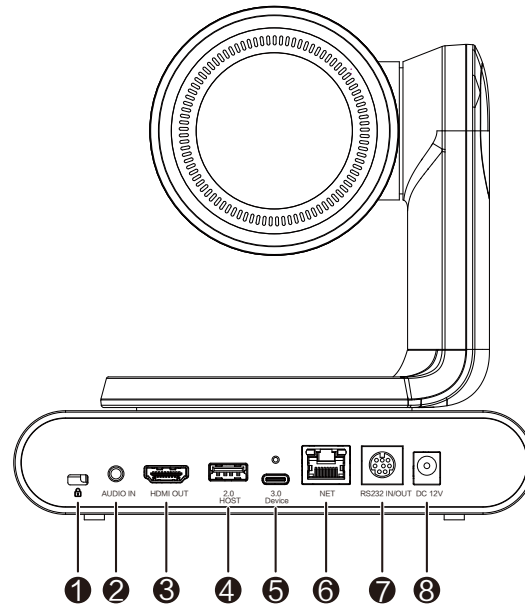
Quick Start Guide×1

III. Installation

Recommend installation height is 1.5 to 1.8 from ground



IV. Hardware Interface Instructions

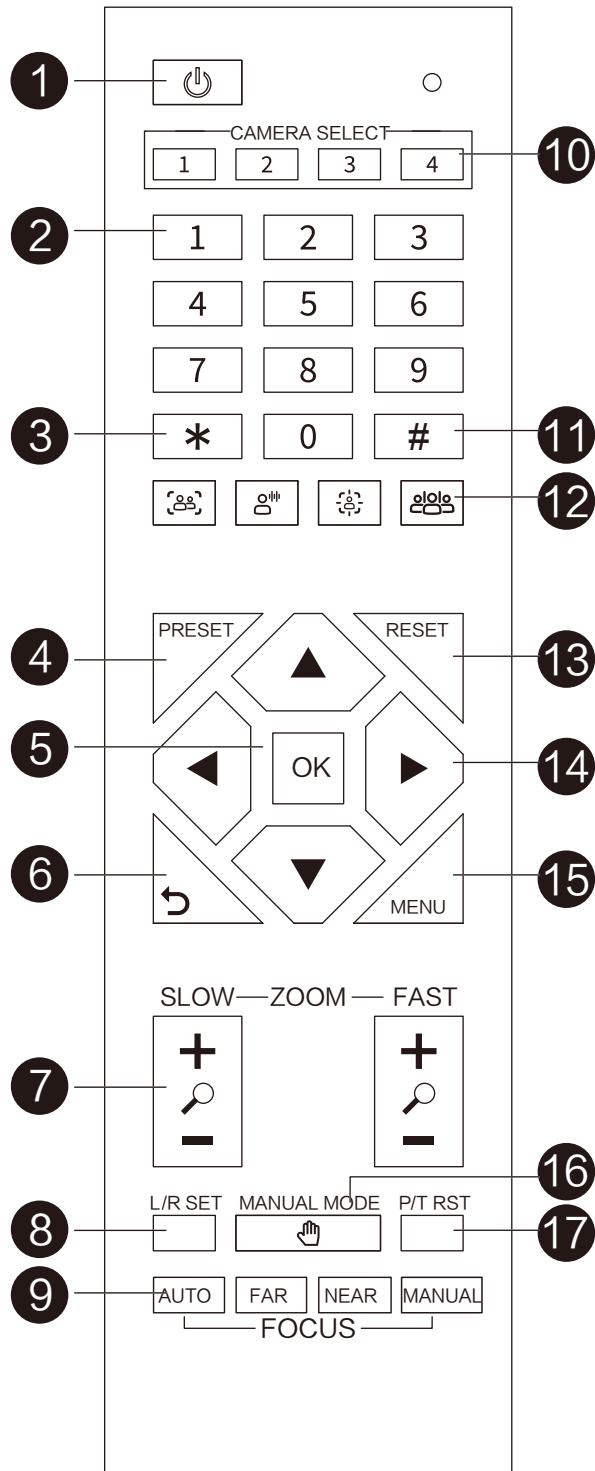


No.	Item	Description
1	Security slot	Connect a universal security cable to the UC P30 so that you can lock the UC P30 down.
2	AUDIO IN	Connect to an audio input device using an audio cable (3.5mm)
3	HDMI OUT 1.4	In video conference system, connect for sharing content or camera image.
4	USB2.0	Type-A(host)
5	USB3.0	Type-C (device, to connect PC)
6	LAN	10M/100M/1000M, Support PoE+
7	RS232 IN/OUT	Support VISCA/Pelco-D/Pelco-P
8	DC 12V	Connect to the power adapter

V.LED Indicator Instructions

LED Status	Description
Solid red	Power saving mode (only power cable connected)
Solid Orange	Device is booting up or camera off
Solid White	Camera on
Flashing Blue	Firmware upgrading

VI.Remote Control Instructions



VI.Remote Control Instructions

No.	Key	Description
1	Power Button	To enter power saving mode (only power cable is connected)
2	Number button	To Save a Preset – Move camera to desired position. Press the preset button then press number button 0~9 to store the current camera position. Press the number button 0-9 to load a saved camera position.
3	* button	To use in conjunction with other buttons
4	PRESET button	To Save a Preset – Move camera to desired position. Press the preset button and number button 0-9 successively to store the current camera position.
5	OK button	When OSD menu is displayed, press to confirm your selection. When OSD menu is not displayed, Press to return PTZ camera back to the "HOME" position
6	Return button	When OSD menu is displayed, press to go back previous menu
7	Zoom button	zoom camera in or out at a slow speed or fast speed
8	L/R SET button	Press L/R SET Button and Number button "1" in sequence to make camera pan in a forward direction. Press L/R SET Button and Number button "2" in sequence to make camera pan in a reverse direction
9	FOCUS button	AUTO : automatically adjust focus distance FAR : in manual focus mode , press to change the camera focus at a far distance NEAR : In manual focus mode, press to change the camera focus at a near distance MANUAL : change the camera to manual focus mode
10	CAMERA SELECT button	One remote control can control up to 4 MAXHUB UC P30 Cameras. Press "*" "# "1 (CAMERA SELECT)" in a sequence to set the camera as No.1 camera. Set other cameras' No. in the same way. Press CAMERA SELECT button "1" "2" "3" "4" to choose the camera according to contro
11	# button	Use with other keys
12	AI Mode button	Switch to a specific AI mode. From left to right ,Auto Framing: automatically adjusts the camera's field of view to capture all participants in the room Speaker Tracking : automatically focus on an active speaker with a close-up view Presenter Tracking : Choose a presenter, and the camera would focus on the chosen presenter with a close-up view when the speaker moves around Not defined
13	RESET button	Successively press [RESET] + Number key (0-9) to clear preset position
14	Directional button	a. In manual mode (camera tracking), press the directional button to move the camera or press and hold to continuously pan or tilt. b. When there is OSD menu displayed, press direction button to switch selections. c. In presenter tracking mode, press direction button to choose a presenter.
15	Menu button	Press the button to pull up or exit OD menu
16	MANUAL MODE button	Press the button to enter camera manual tracking mode
17	P/T RST button	Press to preset Pan/Tilt self-test
Shortcut Set		press[*]+[#]+[7] in sequence: Display current IP address press[*]+[#]+[8] in sequence: Check the firmware version press[*]+[#]+[MANUAL] in sequence: Restore to default IP address

VII. Firmware Upgrade

Use MAXHUB Align to upgrade the firmware after connecting to the PC by OTA or latest Firmware downloaded from MAXHUB download center.

MAXHUB Align <https://www.maxhub.com/en/support/?#trigger-download-center>

FCC Statement

This equipment has been tested and found to comply with the limits for a Class B digital device, pursuant to part 15 of the FCC Rules. These limits are designed to provide reasonable protection against harmful interference in a residential installation. This equipment generates, uses and can radiate radio frequency energy and, if not installed and used in accordance with the instructions, may cause harmful interference to radio communications. However, there is no guarantee that interference will not occur in a particular installation. If this equipment does cause harmful interference to radio or television reception, which can be determined by turning the equipment off and on, the user is encouraged to try to correct the interference by one or more of the following measures:

- Reorient or relocate the receiving antenna
- Increase the separation between the equipment and receiver.
- Connect the equipment into an outlet on a circuit different from that to which the receiver is connected
- Consult the dealer or an experienced radio/TV technician for help.

FCC Warning

This device complies with Part 15 of the FCC Rules. Operation is subject to the following two conditions:

(1) this device may not cause harmful interference, and (2) this device must accept any interference received, including interference that may cause undesired operation.


Changes or modifications not expressly approved by the party responsible for compliance could void the user's authority to operate the equipment.

Hereby, Guangzhou Shirui Electronics Co., Ltd. declares that the this product is compliant with the essential requirements.

The complete Declaration of Conformity may be requested through the following postal address:

MAXHUB EUROPE B.V.

BEURSPLEIN 37, 3011AA ROTTERDAM, NETHERLANDS

 This symbol, affixed to the product or its packaging, indicates that the product must not be processed with household waste. It must be brought to an electric and electronic waste collection point for recycling and disposal. By the appropriate disposal of this product you also help in preventing potentially negative consequences for the environment and human health. The recycling of materials helps preserve our natural resources. For further information regarding the recycling of this product, please contact your municipality, local waste disposal centre or the store where the product was purchased.

MAXHUB

