

Fit™ Mobile Cart FOR INTERACTIVE DISPLAYS

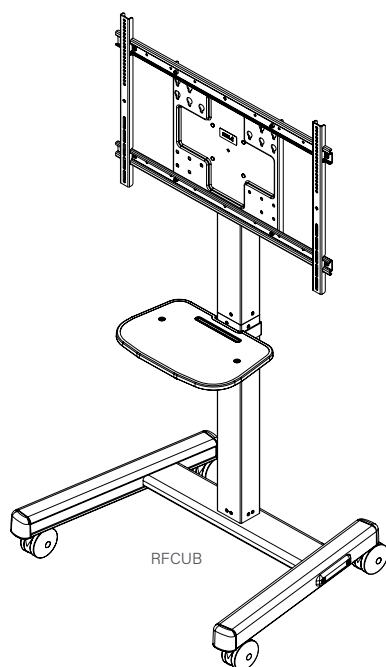
Easy Five-Step Installation

Quick Setup Guide

For complete installation instructions, refer to the Installation Manual included with this product.

This Quick Setup Guide is meant to provide only an overview of the various installation steps.

ALWAYS read the Installation Instructions in its entirety before beginning the Installation.



STEP 01

Assemble The Base

Assemble the right leg assembly (I) and left leg assembly (N) to the crossbar (L) using two 5/16-18 x 4-1/4" screws (Q) through one crossbar end cap (K) per leg. (See Figure 1)

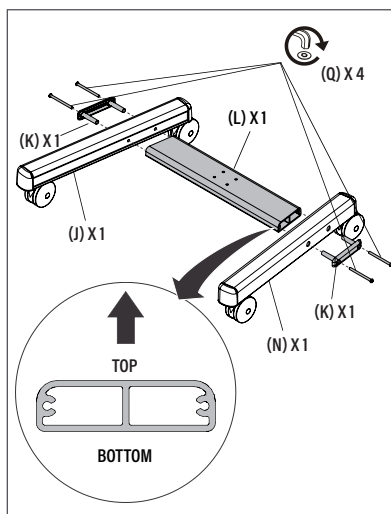


Figure 1

STEP 02

Attach The Lower Column To The Base

Attach the lower column (G) to the crossbar (L) using four 5/16-18 x 2-1/4" screws (R) and 5/16" washers (U). (See Figure 2)

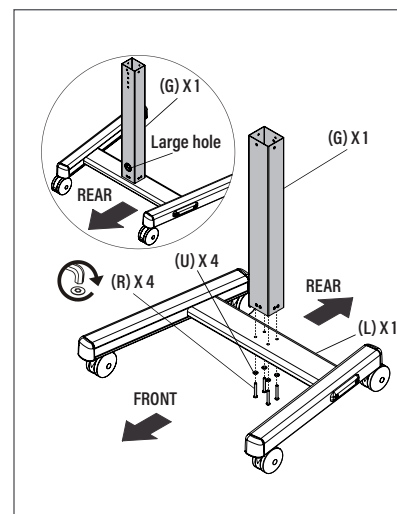


Figure 2

STEP 03

Attach The Face Plate To The Top Column

Install the face plate assembly (A) to the upper column (H) in one of three positions using one connector - stud (E), one connector - no stud (F), and four 5/16-18 flange nuts (W). (See Figure 3)

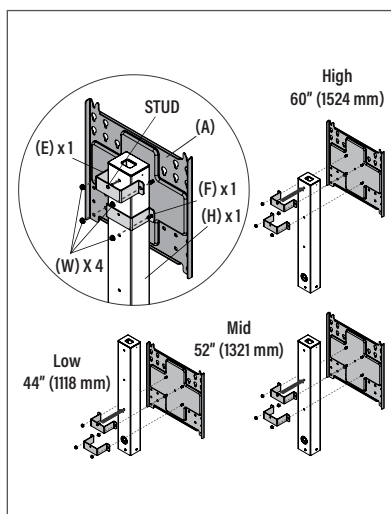


Figure 3

STEP 04

Attach The Upper Column To The Lower Column

Attach the upper column (H) to the lower column (G) using four 10-24 x 1/2" flat head screws (P). (See Figure 4)

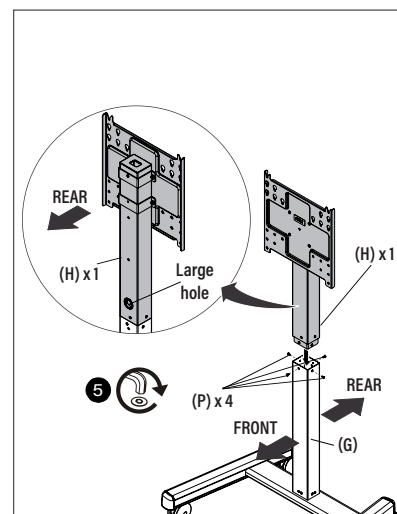
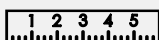


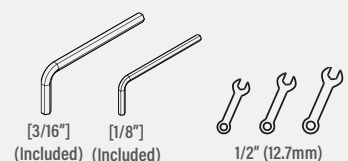
Figure 4

Tools Required for Installation



3/16 x 1" hex bit (included)

#2

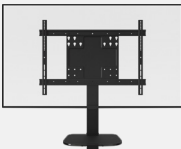


[3/16"] [1/8"]
(Included) (Included)

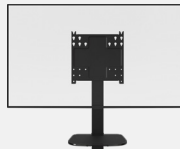
1/2" (12.7mm)

ATTACHING DISPLAY

▲ WARNING: IMPROPER INSTALLATION (A) CAN LEAD TO MOUNT FALLING OR CAUSING SERIOUS PERSONAL INJURY OR DAMAGE TO EQUIPMENT! DO NOT SUBSTITUTE HARDWARE. ONLY USE HARDWARE PROVIDED OR SPECIFIED BY MANUFACTURER.



STEP 5A
For displays up to 600 x 400 VESA, use the included interface brackets before attaching to the face plate.



STEP 5B - OPTIONAL
For displays with 400x400 VESA or smaller, mount directly to the face plate.

STEP 5A

Mount your display up to 600 x 400 VESA pattern using the included interface to the face plate

(1) Partially install two 5/16-18 x 5/8" screws (S) into the upper horizontal interface (C). (See Figure 6)

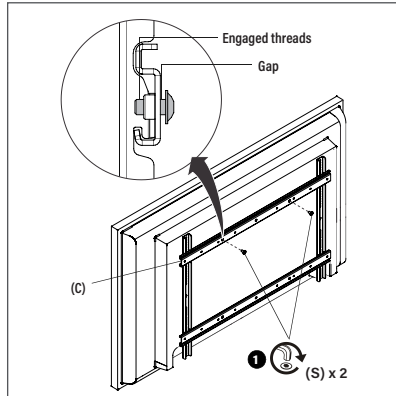


Figure 6

(2) While supporting both sides of display, align two 5/16-18 x 5/8" screws (S) installed in upper horizontal interface (C) with two mounting holes in the face plate assembly (A). (See Figure 7)

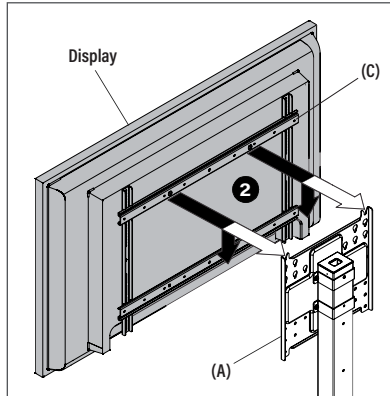


Figure 7

(3) Install two 5/16-18 x 5/8" screws (S) through the face plate assembly (A) into the lower horizontal interface (C). (See Figure 8)

(4) Tighten two 5/16-18 x 5/8" screws (S) in upper horizontal interface. (See Figure 8)

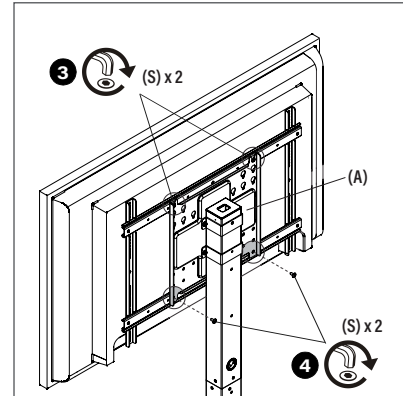


Figure 8

STEP 5B - OPTIONAL

Mount your display with 400x400 or smaller VESA pattern directly to the face plate

(1) Select correct screws, nesting spacers (if necessary), and universal washers (if required) from the hardware bag (AA-AH) and attach display to two upper mounting slots in face plate assembly (A). (See Figure 9)

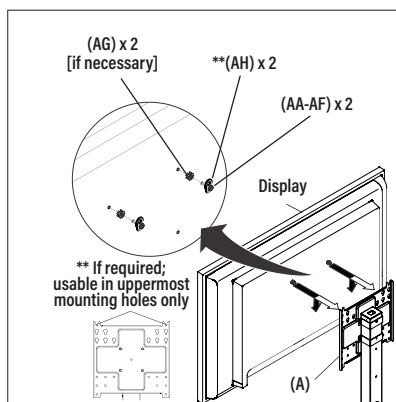


Figure 9

(2) Tighten four screws (AA-AF) in upper and lower mounting slots in face plate assembly (A). (See Figure 10)

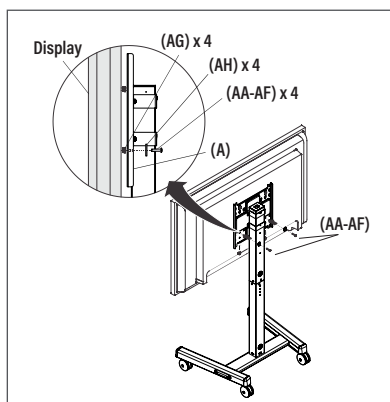


Figure 10

BONUS STEP!

Attach the included shelf to store accessories like keyboards, laptops, and styluses

The shelf assembly (B) can be installed in four different positions to achieve the desired height. (See Figure 11) To lower column (G) using one connector - stud (E) and two 5/16-18 flange nuts (W).

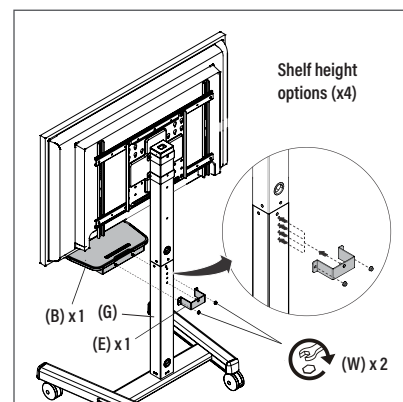


Figure 11

CHIEF®

A brand of **legrand**

LEGRAND | AV COMMERCIAL BRANDS

C2G | Chief | Da-Lite | Luxul | Middle Atlantic | Vaddio | Wiremod

INSTALLER INSPIRED | legrandav.com

USA 866.977.3901 av.chief.support@legrand.com CANADA 877.345.4329 av.chief.canada@legrand.com

EMEA +31 495 580 840 av.emea.sales@legrand.com APAC +852 2145 4099 av.asia.sales@legrand.com

©2023 Legrand AV Inc. 230867 Rev A 11/23 Chief is a registered trademark of Legrand AV Inc. All other brand names or marks are used for identification purposes and are trademarks of their respective owners. All patents are protected under existing designations. Other patents pending.