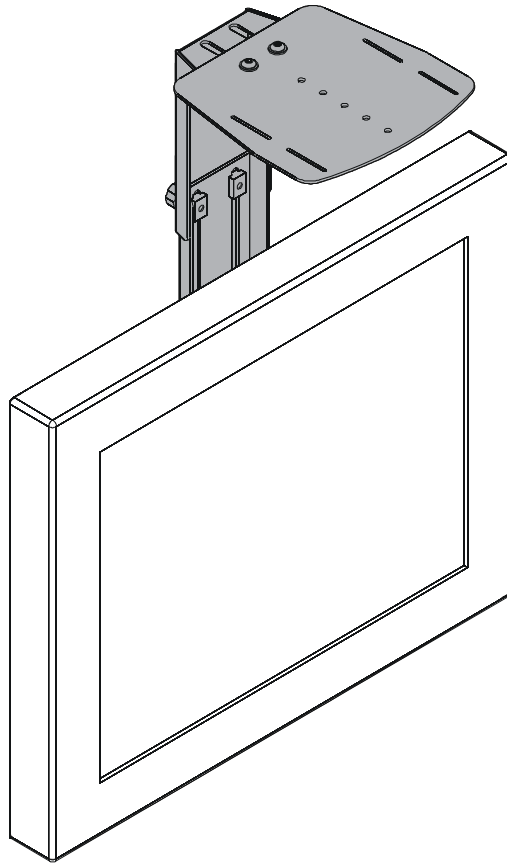


---

# INSTALLATION INSTRUCTIONS

---



---

## Video Conferencing Shelf

---

## DISCLAIMER

Milestone AV Technologies and its affiliated corporations and subsidiaries (collectively "Milestone"), intend to make this manual accurate and complete. However, Milestone makes no claim that the information contained herein covers all details, conditions or variations, nor does it provide for every possible contingency in connection with the installation or use of this product. The information contained in this document is subject to change without notice or obligation of any kind. Milestone makes no representation of warranty, expressed or implied, regarding the information contained herein. Milestone assumes no responsibility for accuracy, completeness or sufficiency of the information contained in this document.

Chief® is a registered trademark of Milestone AV Technologies. All rights reserved.

## DEFINITIONS

**MOUNTING SYSTEM:** A MOUNTING SYSTEM is the primary Chief product to which an accessory and/or component is attached.

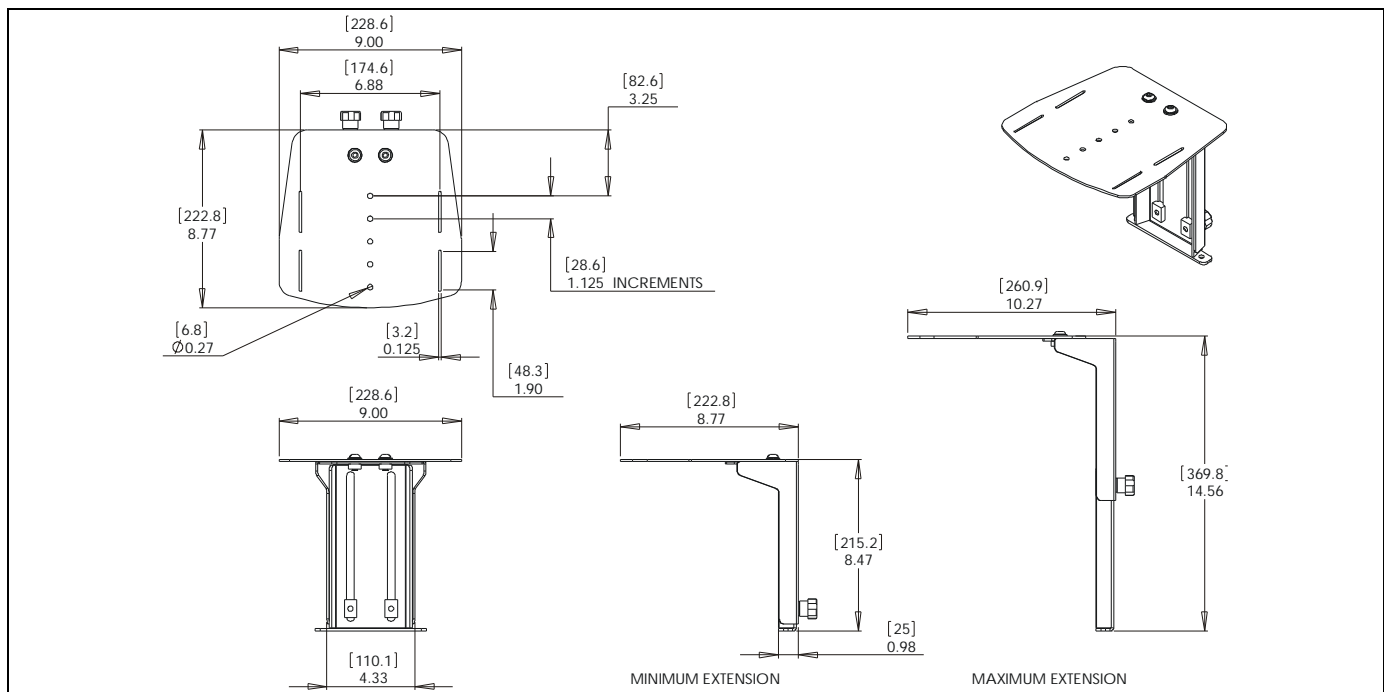
**ACCESSORY:** AN ACCESSORY is the secondary Chief product which is attached to a primary Chief product, and may have a component attached or setting on it.

**COMPONENT:** A COMPONENT is an audiovisual item designed to be attached or resting on an accessory or mounting system such as a video camera, CPU, screen, display, projector, etc.

**WARNING:** A WARNING alerts you to the possibility of serious injury or death if you do not follow the instructions.

**CAUTION:** A CAUTION alerts you to the possibility of damage or destruction of equipment if you do not follow the corresponding instructions.

## DIMENSIONS



## IMPORTANT SAFETY INSTRUCTIONS!

**WARNING:** Failure to read, thoroughly understand, and follow all instructions can result in serious personal injury, damage to equipment, or voiding of factory warranty! It is the installer's responsibility to make sure all mounting systems/ accessories are properly assembled and installed using the instructions provided.

**WARNING:** Failure to provide adequate structural strength for this accessory can result in serious personal injury or damage to equipment! It is the installer's responsibility to make sure the structure to which this accessory is attached can support five times the combined weight of all equipment. Reinforce the structure as required before installing the accessory.



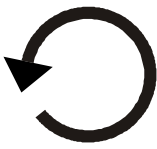









**WARNING:** Exceeding the weight capacity can result in serious personal injury or damage to equipment! It is the installer's responsibility to make sure the combined weight of all equipment and accessories mounted on the PAC715 does not exceed 10 lbs (4.54 kg).

**WARNING:** RISK OF INJURY TO PERSONS! Do not use this accessory to support video equipment such as televisions or computer monitors.

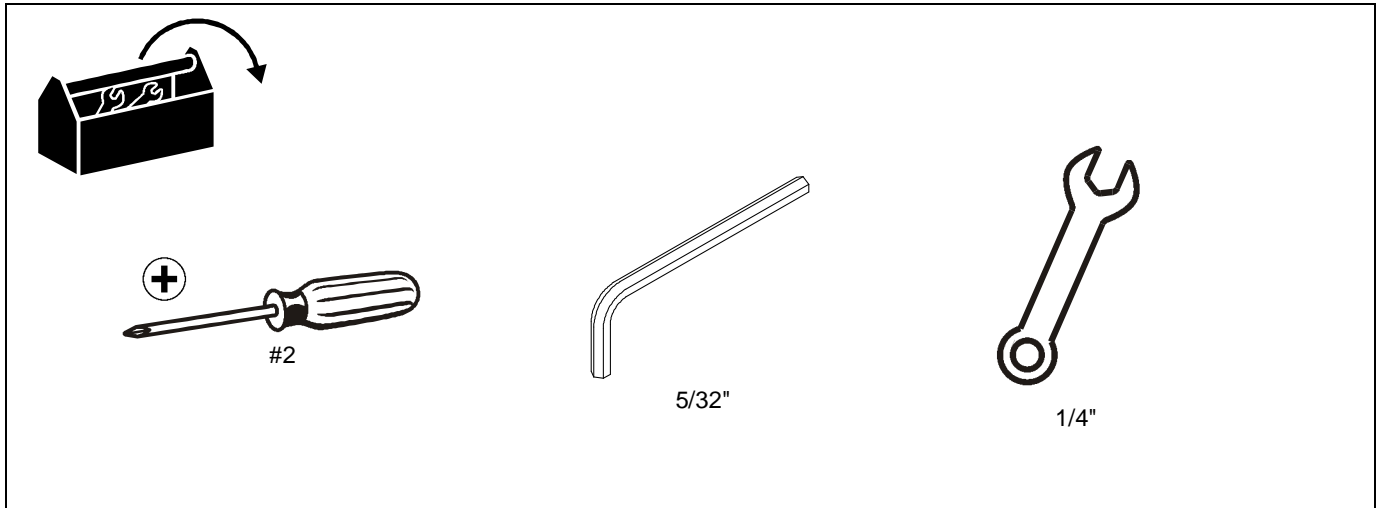
**WARNING:** Do not use this accessory outdoors.

**--SAVE THESE INSTRUCTIONS--**

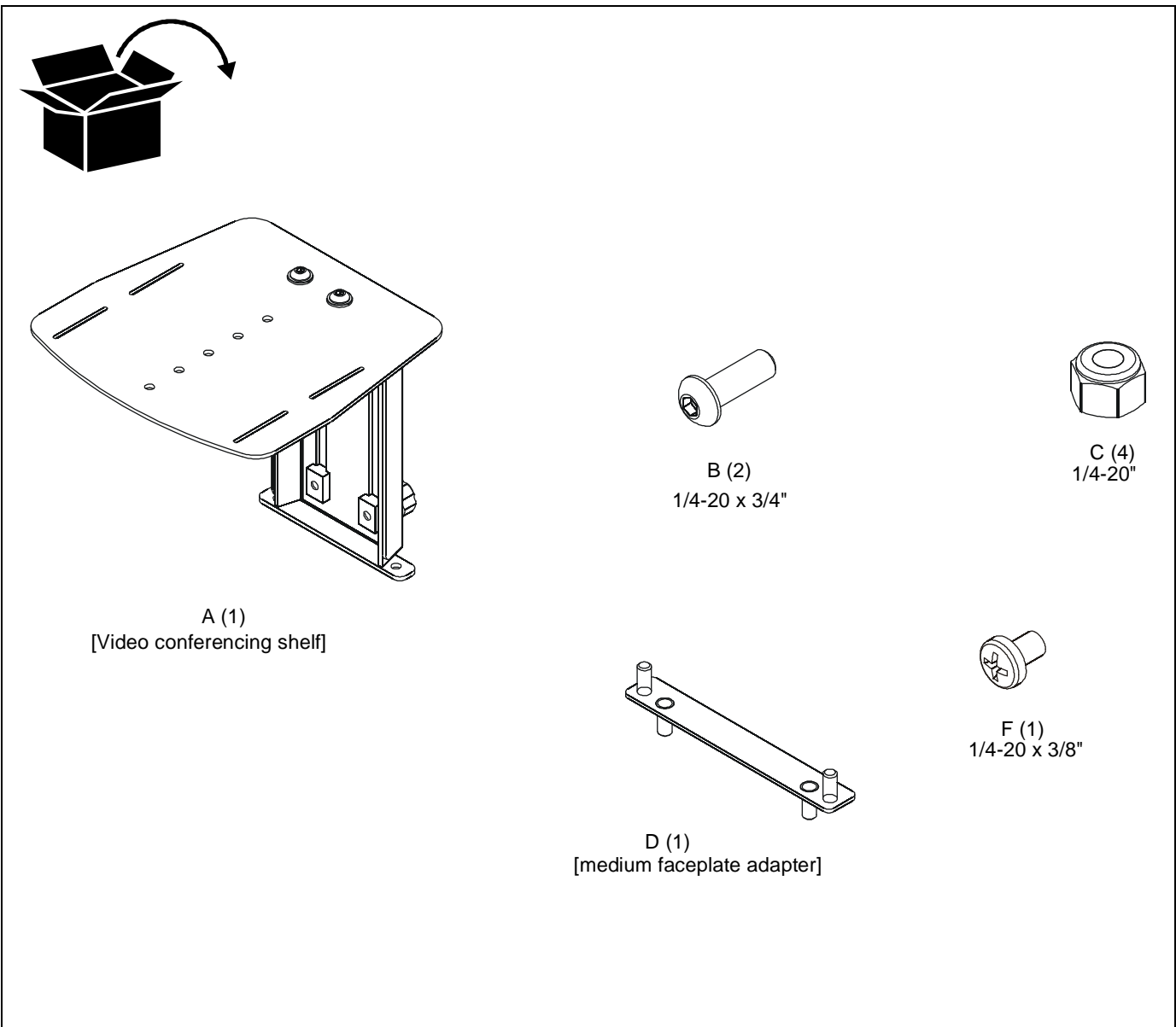
**LEGEND**

	<p><b>Tighten Fastener</b></p> <p>Apretar elemento de fijación</p> <p>Befestigungsteil festziehen</p> <p>Apertar fixador</p> <p>Serrare il fissaggio</p> <p>Bevestiging vastdraaien</p> <p>Serrez les fixations</p>		<p><b>Pencil Mark</b></p> <p>Marcar con lápiz</p> <p>Stiftmarkierung</p> <p>Marcar com lápis</p> <p>Segno a matita</p> <p>Potloodmerkteken</p> <p>Marquage au crayon</p>
	<p><b>Loosen Fastener</b></p> <p>Aflojar elemento de fijación</p> <p>Befestigungsteil lösen</p> <p>Desapertar fixador</p> <p>Allentare il fissaggio</p> <p>Bevestiging losdraaien</p> <p>Desserrez les fixations</p>		<p><b>Drill Hole</b></p> <p>Perforar</p> <p>Bohrloch</p> <p>Fazer furo</p> <p>Praticare un foro</p> <p>Gat boren</p> <p>Percez un trou</p>
	<p><b>Phillips Screwdriver</b></p> <p>Destornillador Phillips</p> <p>Kreuzschlitzschraubendreher</p> <p>Chave de fendas Phillips</p> <p>Cacciavite a stella</p> <p>Kruiskopschroevendraaier</p> <p>Tournevis à pointe cruciforme</p>		<p><b>Adjust</b></p> <p>Ajustar</p> <p>Einstellen</p> <p>Ajustar</p> <p>Regolare</p> <p>Afstellen</p> <p>Ajuster</p>
	<p><b>Open-Ended Wrench</b></p> <p>Llave de boca</p> <p>Gabelschlüssel</p> <p>Chave de bocas</p> <p>Chiave a punte aperte</p> <p>Steeksleutel</p> <p>Clé à fourche</p>		<p><b>Remove</b></p> <p>Quitar</p> <p>Entfernen</p> <p>Remover</p> <p>Rimuovere</p> <p>Verwijderen</p> <p>Retirez</p>
	<p><b>By Hand</b></p> <p>A mano</p> <p>Von Hand</p> <p>Com a mão</p> <p>A mano</p> <p>Met de hand</p> <p>À la main</p>		<p><b>Optional</b></p> <p>Opcional</p> <p>Optional</p> <p>Opcional</p> <p>Opzionale</p> <p>Optie</p> <p>En option</p>
	<p><b>Hex-Head Wrench</b></p> <p>Llave de cabeza hexagonal</p> <p>Sechskantschlüssel</p> <p>Chave de cabeça sextavada</p> <p>Chiave esagonale</p> <p>Zeskantsleutel</p> <p>Clé à tête hexagonale</p>		<p><b>Security Wrench</b></p> <p>Llave de seguridad</p> <p>Sicherheitsschlüssel</p> <p>Chave de segurança</p> <p>Chiave di sicurezza</p> <p>Veiligheidsleutel</p> <p>Clé de sécurité</p>

### TOOLS REQUIRED FOR INSTALLATION



### PARTS



## Installation

**NOTE:** The PAC715 video conferencing shelf can be mounted before or after the display is mounted to the faceplate. It may be mounted above or below the display if mounting to a large faceplate. It may only be mounted above the display if mounting to a medium faceplate.

**NOTE:** The PAC715 may also be installed to center of the PAC722 accessory. See "Attach to PAC722 Center" Section.

### Attach to Large Faceplate

1. Position video conferencing shelf (A) above or below the faceplate making sure to line up the holes on the shelf with the holes on the faceplate. (See Figure 1 or 2)
2. Install two 1/4-20 x 3/4" button head cap screws (B) through holes in shelf and faceplate. (See Figure 1 or 2)
3. Thread two 1/4-20" lock nuts onto screws to secure shelf to faceplate. (See Figure 1 or 2)

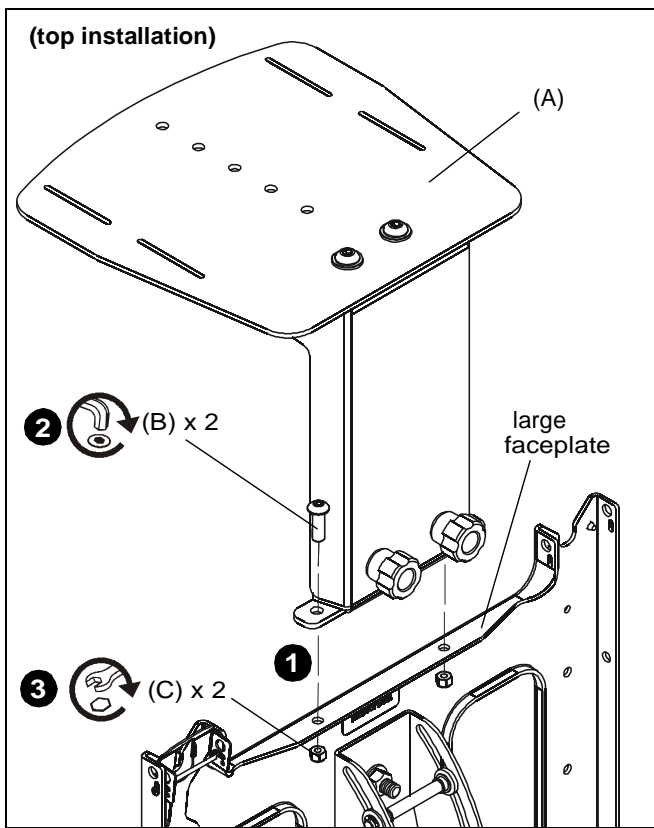


Figure 1

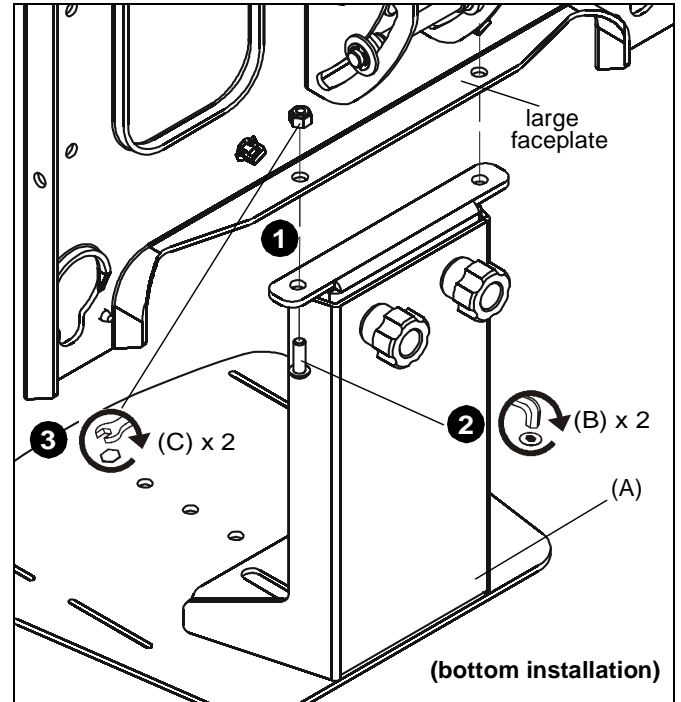


Figure 2

### Attach to Medium Faceplate

**NOTE:** The PAC715 may only be mounted above the display when mounting to a medium faceplate.

1. Use two 1/4-20" lock nuts (C) to secure medium faceplate adapter (D) to top or bottom of medium faceplate. (See Figure 3)
2. Thread two 1/4-20" lock nuts (C) onto screws to secure shelf to medium faceplate adapter (D). (See Figure 3)

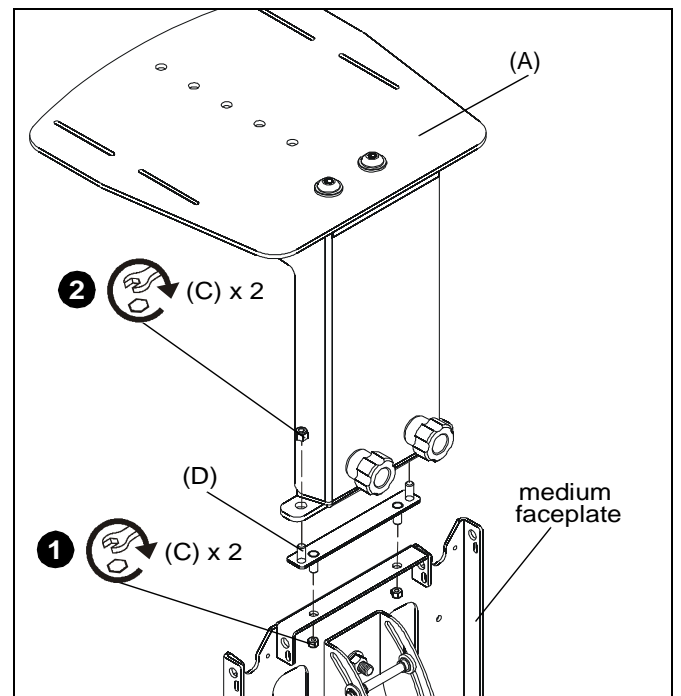


Figure 3

### Attach to PAC722 Center

The PAC722 accessory has two threaded holes in the center section which allows the PAC715 shelf to be mounted to it.

1. Install PAC722 accessory and displays following the PAC722 installation instructions.
2. Position video conferencing shelf (A) above the center of PAC722 making sure to line up the holes on the shelf with the holes on the PAC722. (See Figure 4)
3. Install two 1/4-20 x 3/4" button head cap screws (B) through holes in shelf and PAC722. (See Figure 4)

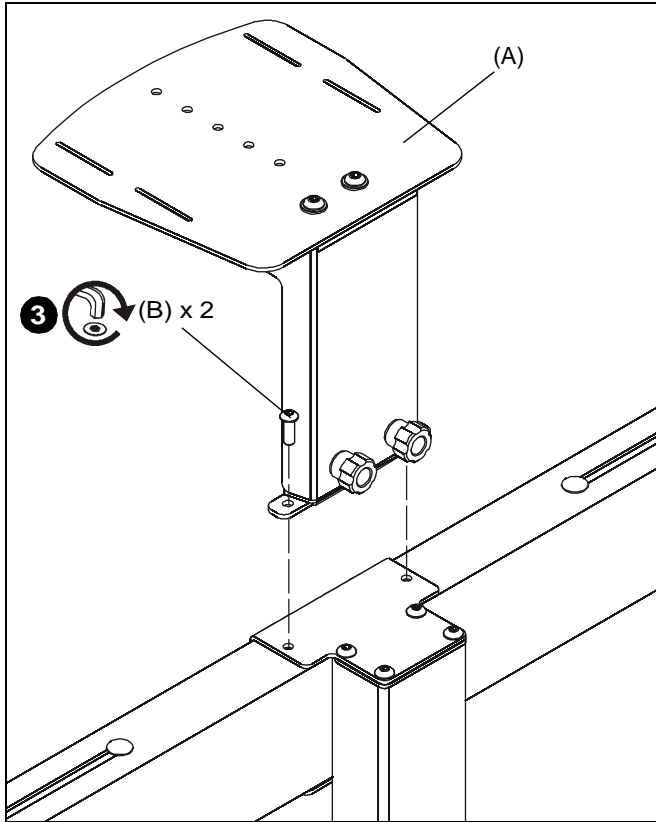


Figure 4

### Camera Mounting



**WARNING:** Exceeding the weight capacity can result in serious personal injury or damage to equipment! It is the installer's responsibility to make sure the combined weight of all equipment and accessories mounted on the PAC715 does not exceed 10 lbs (4.54 kg).

**NOTE:** Mounting options will vary depending on the type of camera being mounted.

1. Install 1/4-20 x 3/8" Phillips pan machine screw (F) through holes on shelf and into hole on bottom of camera. (See Figure 5)

**NOTE:** Camera can be secured to mount by threading a tie through outside slots on camera mount and around the camera.

**NOTE:** It is also acceptable to mount the camera directly to the shelf without any screws or ties.

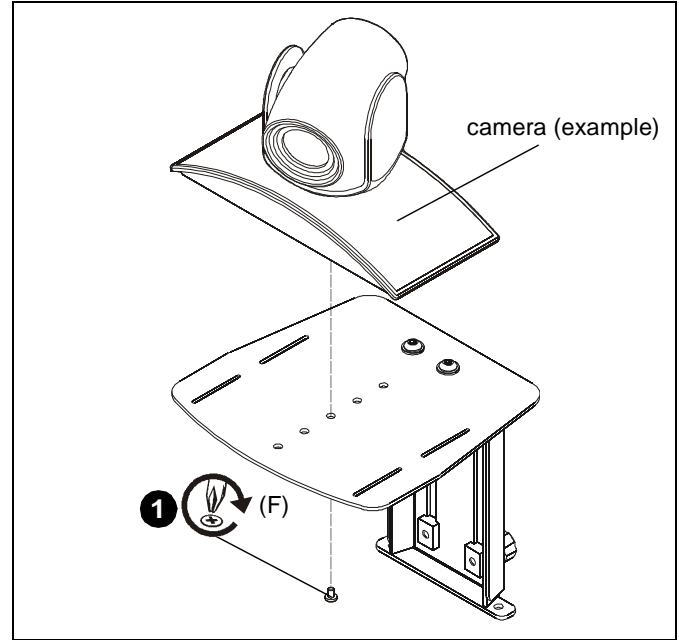


Figure 5

### Adjustments

#### Height Adjustment

1. Loosen two adjustment knobs on the back of the video conferencing shelf (A). (See Figure 6)
2. Raise or lower shelf to desired height. (See Figure 6)
3. Tighten two adjustment knobs on the back of the shelf until mount is secure. (See Figure 6)

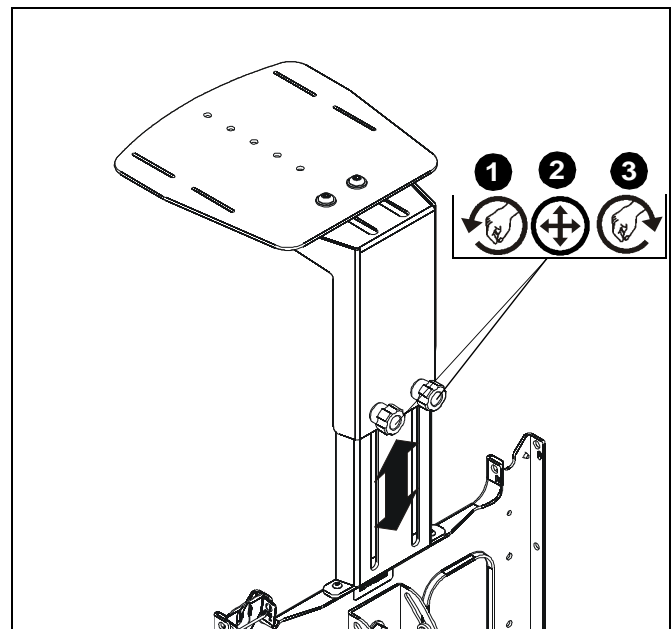


Figure 6

### Shelf Extension Adjustment

1. Loosen two button head cap screws on video conferencing shelf (A). (See Figure 7)
2. Adjust shelf to desired mounting position. (See Figure 7)
3. Tighten two button head cap screws on shelf until mount is secure. (See Figure 7)

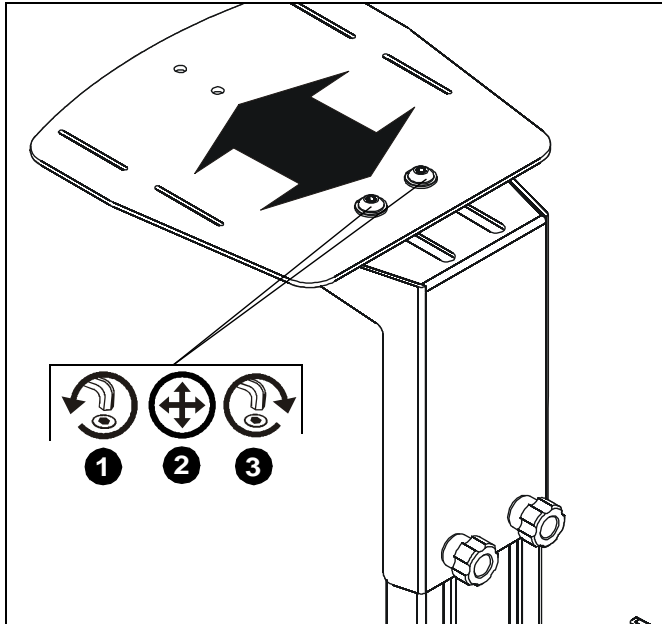


Figure 7



Our Mounts. **Your Vision.**

Chief, a products division of  
Milestone AV Technologies

8807-002000 Rev05  
©2016 Milestone AV Technologies  
[www.milestone.com](http://www.milestone.com)  
07/16

<b>USA/International</b>	<b>A</b> 6436 City West Parkway, Eden Prairie, MN 55344 <b>P</b> 800.582.6480 / 952.225.6000 <b>F</b> 877.894.6918 / 952.894.6918
<b>Europe</b>	<b>A</b> Franklinstraat 14, 6003 DK Weert, Netherlands <b>P</b> +31 (0) 495 580 852 <b>F</b> +31 (0) 495 580 845
<b>Asia Pacific</b>	<b>A</b> Office No. 918 on 9/F, Shatin Galleria 18-24 Shan Mei Street Fotan, Shatin, Hong Kong <b>P</b> 852 2145 4099 <b>F</b> 852 2145 4477

