

FIT™ SERIES DISPLAY MOUNTS

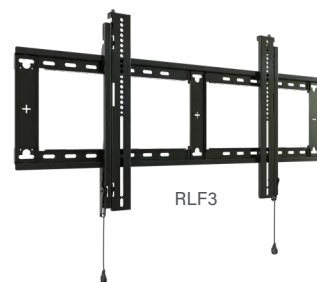
Meet the next generation of high value display mounts

All updated Fit wall mounts include these enhanced features:

- Low-profile depth facilitates ADA compliance for typical AV design requirements
- Easy to reach leveling screw for post-installation adjustments 0.75" (19 mm)
- Open wall plate for flexible positioning around power and data wall boxes
- Enhanced rigid wall plate and additional mounting slots for improved installation experience
- Tool-free GlideLock secures display to wall plate, allows perfect positioning of screen
- Kickstand and magnetic quick-store release pull cords allow easy access to cable connections
- Theft deterrent security options (not included)
- UL and TUV safety standards compliant

Fit™ Fixed Wall Mount

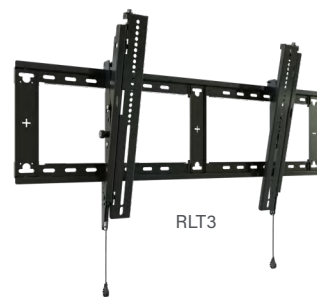
Part #	Description	Max. Mounting Pattern	Typical Screen Sizes	Weight Capacity	Certifications
RMF3	Medium Fit™ Fixed Display Wall Mount	550 x 450mm	32 - 65"	125 lbs (56.7 kg)	UL and TUV
RLF3	Large Fit™ Fixed Display Wall Mount	960 x 450mm	43 - 86"	200 lbs (90.7 kg)	UL and TUV
RXF3	Extra-Large Fit™ Fixed Display Wall Mount	960 x 650mm	49 - 98"	250 lbs (113 kg)	UL and TUV



Fit™ Tilt Wall Mount

- Display can be tilted up to 12° to set the optimal viewing angle

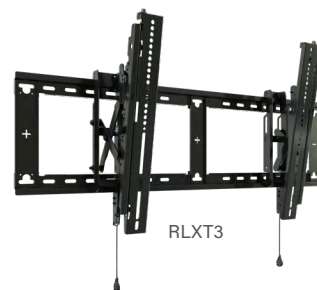
Part #	Description	Max. Mounting Pattern	Typical Screen Sizes	Weight Capacity	Certifications
RMT3	Medium Fit™ Tilt Display Wall Mount	508 x 450mm	32 - 65"	125 lbs (56.7 kg)	UL and TUV
RLT3	Large Fit™ Tilt Display Wall Mount	915 x 450mm	43 - 86"	200 lbs (90.7 kg)	UL and TUV
RXT3	Extra-Large Fit™ Tilt Display Wall Mount	915 x 650mm	49 - 98"	250 lbs (113 kg)	UL and TUV



Fit™ Extending Tilt Wall Mount

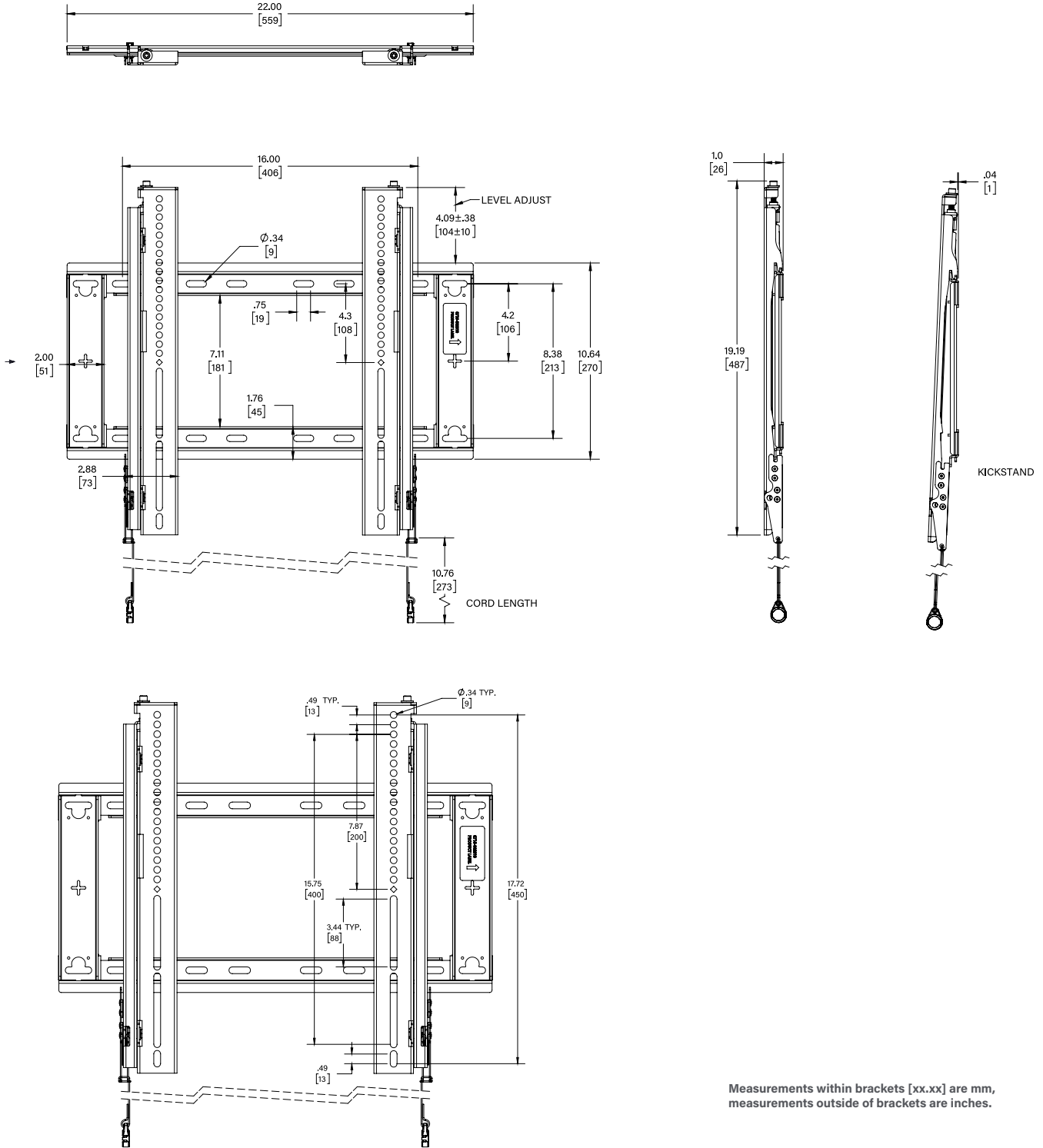
- Minimum 2.67" (68 mm) depth up to 6" (152 mm) when fully extended away from the wall
- 10° forward and back tilt

Part #	Description	Max. Mounting Pattern	Tilt	Maximum Extension	Typical Screen Sizes	Weight Capacity	Certifications
RLXT3	Large Fit™ Extending Tilt Display Wall Mount	100 x 100 - 863 x 450mm	+10°/-10°	6" (152 mm) from wall	43 - 85"	150 lbs (68 kg)	UL and TUV



RMF3

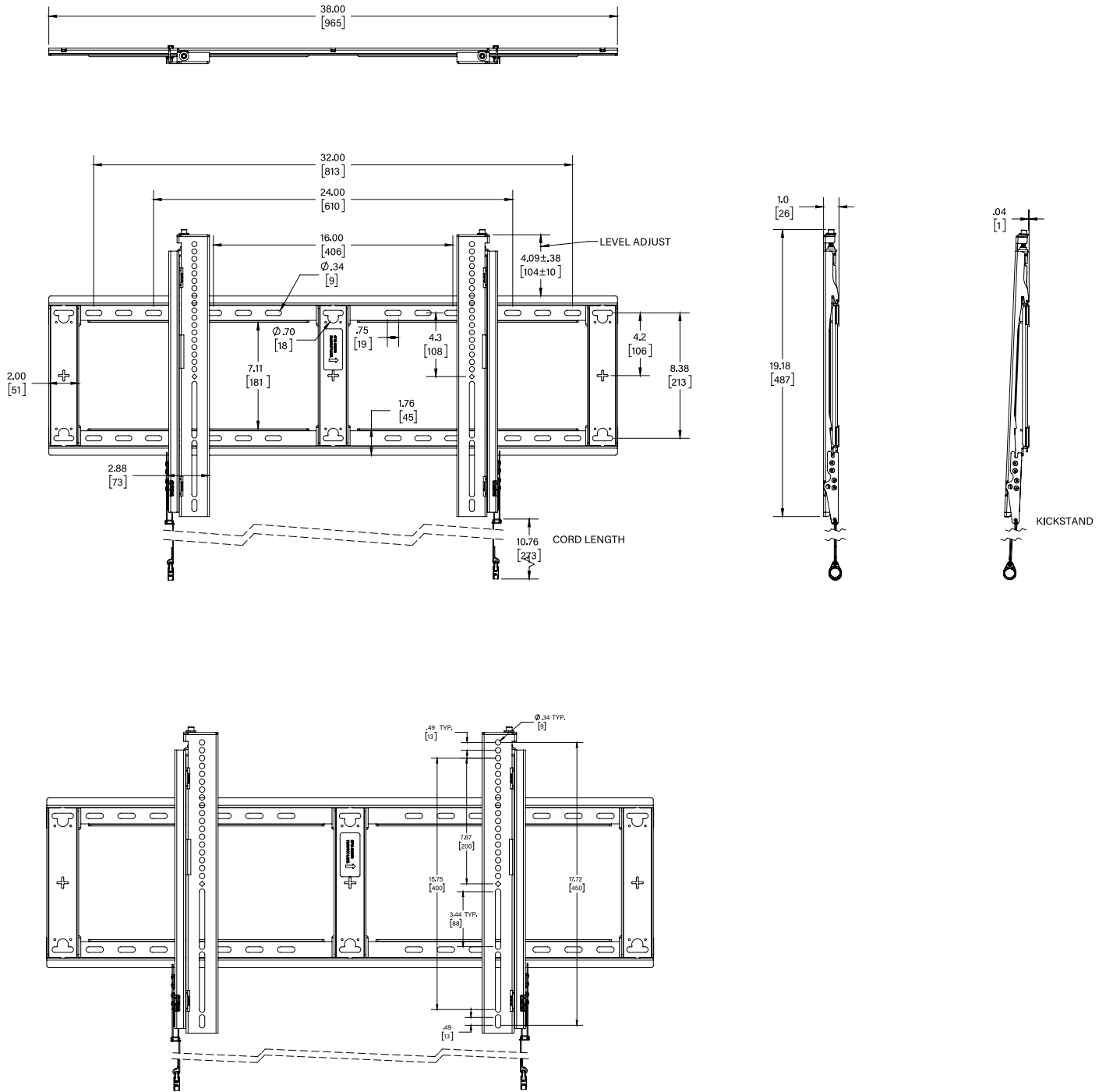
MEDIUM FIT™ FIXED WALL MOUNT



Measurements within brackets [xx.xx] are mm, measurements outside of brackets are inches.

RLF3

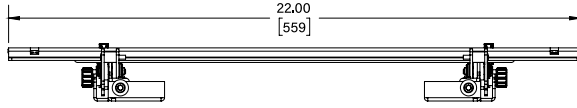
LARGE FIT™ FIXED WALL MOUNT



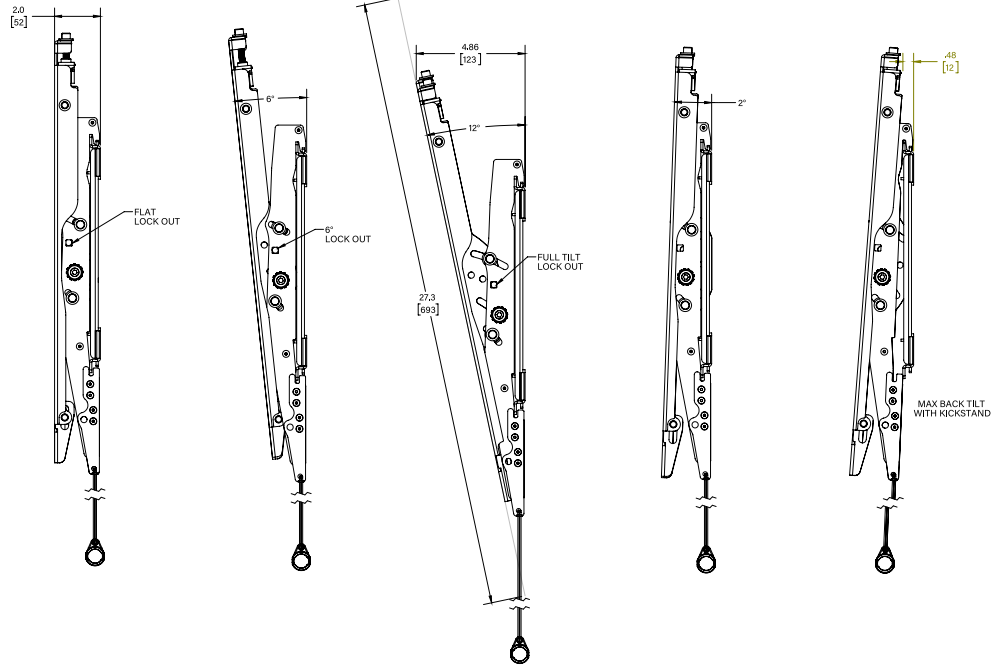
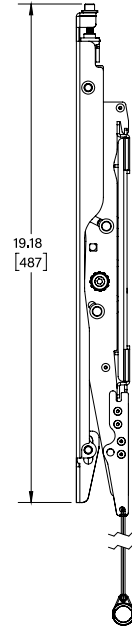
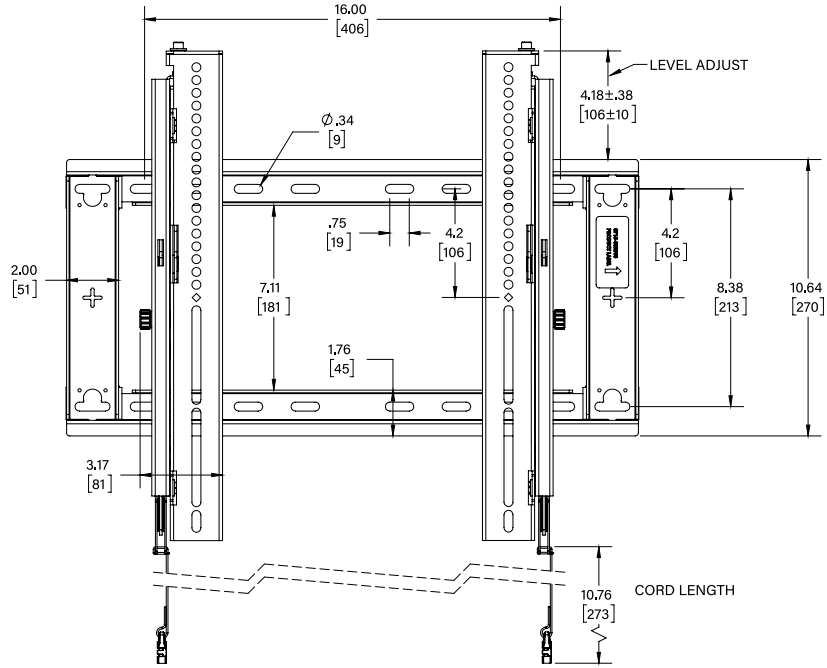
Measurements within brackets [xx.xx] are mm, measurements outside of brackets are inches.

RMT3

MEDIUM FIT™ TILT WALL MOUNT

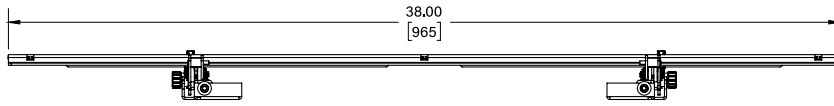


Measurements within brackets [xx.xx] are mm, measurements outside of brackets are inches.

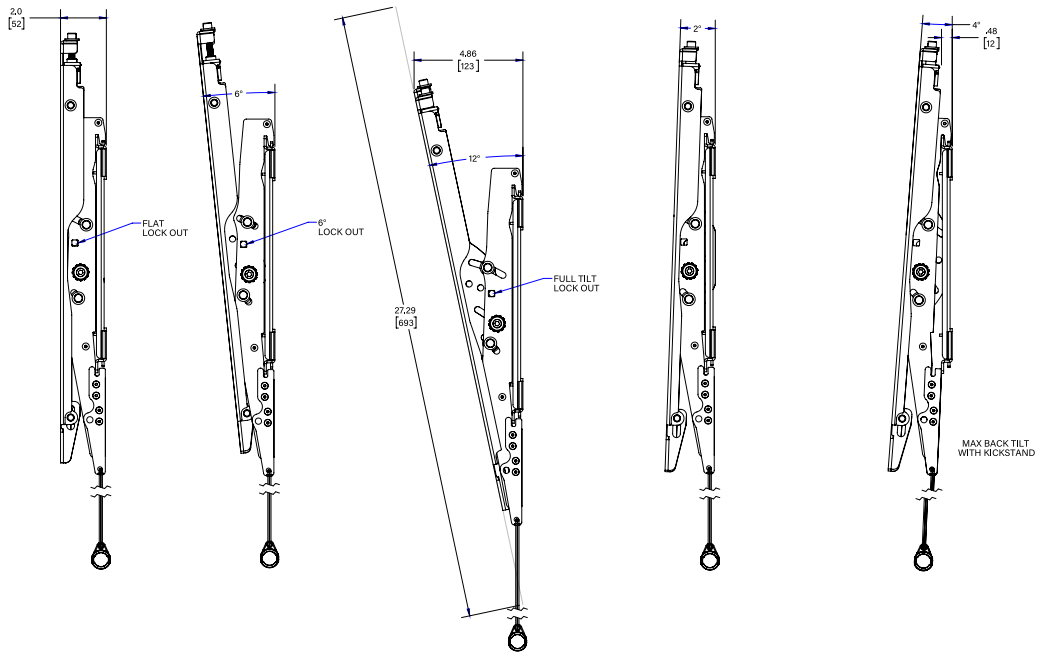
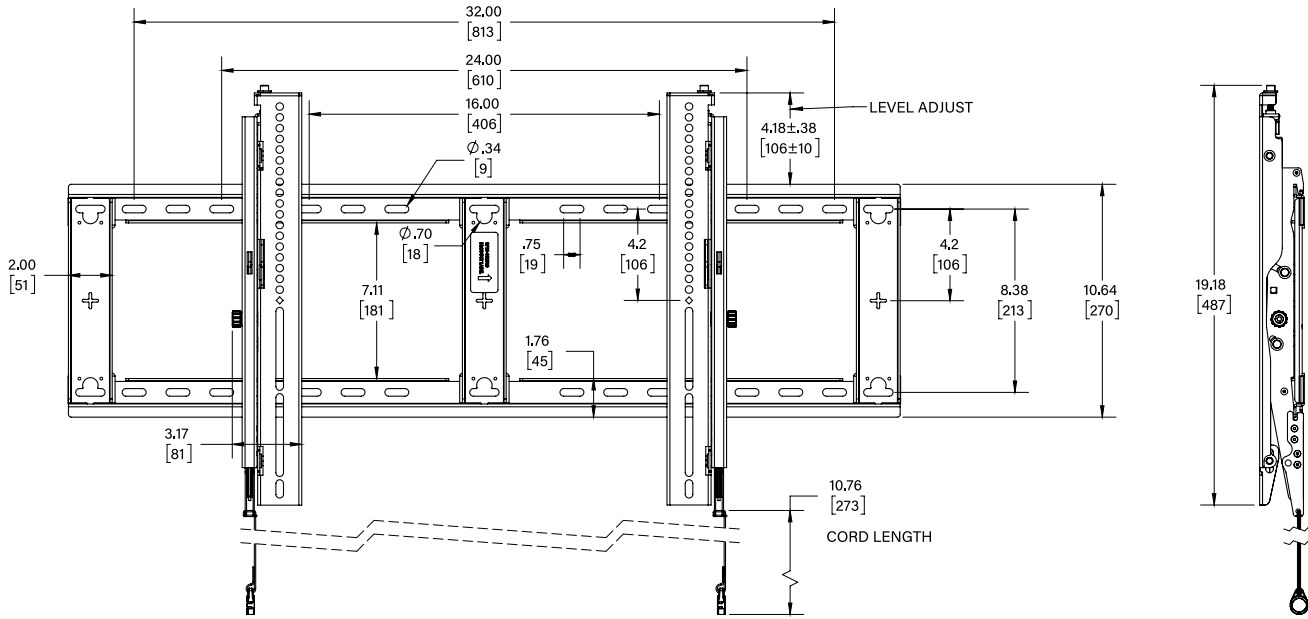


RLT3

LARGE FIT™ TILT WALL MOUNT

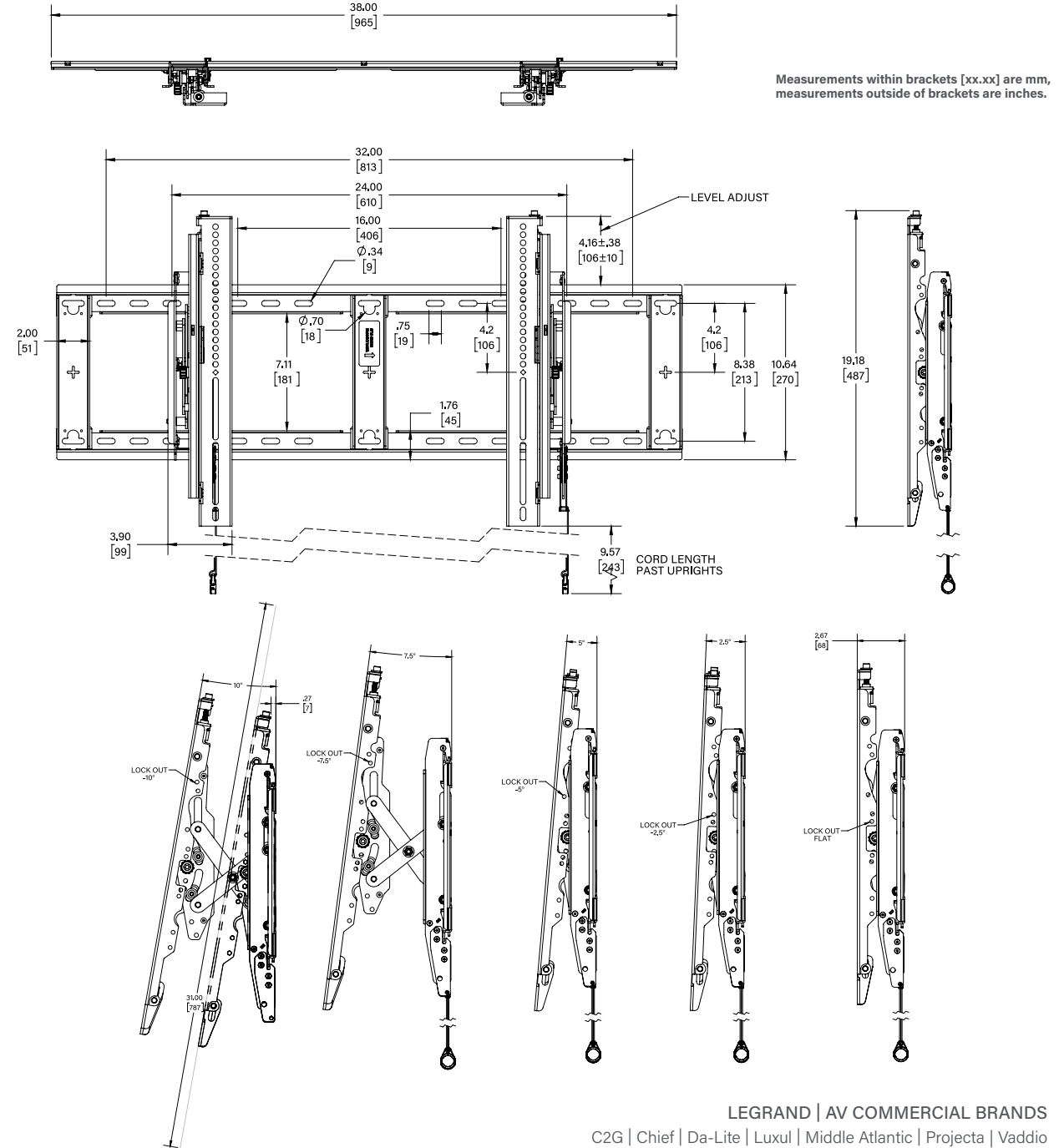


Measurements within brackets [xx.xx] are mm, measurements outside of brackets are inches.



RLXT3

**EXTRA-LARGE
FIT™ TILT
WALL MOUNT**



LEGRAND | AV COMMERCIAL BRANDS
C2G | Chief | Da-Lite | Luxul | Middle Atlantic | Projecta | Vaddio

INSTALLER INSPIRED | legrandav.com

USA 866.977.3901 av.chief.support@legrand.com CANADA 877.345.4329 av.chief.canada@legrand.com

EMEA +31 495 580 840 av.emea.sales@legrand.com APAC +852 2145 4099 av.asia.sales@legrand.com

©2022 Legrand AV Inc. 220580 Rev A 8/22 Chief is a registered trademark of Legrand AV Inc. All other brand names or marks are used for identification purposes and are trademarks of their respective owners. All patents are protected under existing designations. Other patents pending.