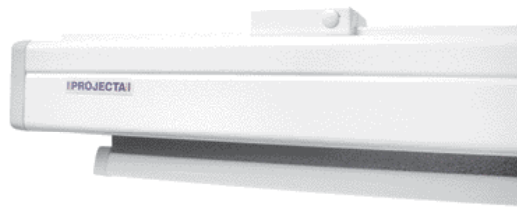


PROSCREEN CSR

Manual projection screen for wall or ceiling installations

DA-LITE.
A brand of **legrand**



Product specifications:

- Manual projection screen with a spring mechanism equipped with Controlled Screen Return for gradually retracting of the projection surface.
- Suitable for wall and ceiling mounting with the supplied flexible plastic mounting brackets (50cm).
- The steel square casing (8,8 x 8,8 cm) is galvanised on the inside and on the outside powder coated with a matte structure coating (RAL 9016).
- The grey end caps close the casing on both ends.
- An adjustment knob is available on the right end of the screen after removing the end cap to adjust the speed of retraction.
- The triangular slat bar closes the bottom of the casing on the outside.
- The screen surfaces are flame retardant and seamless.
- The projection surfaces have a 5 cm. border all around with the Video-, HDTV, and Wide format. The standard format (1:1) has a black border on both sides of 2.5 cm.
- The projection fabrics have a black backing.
- The projection screen is CE marked and satisfies the strictest quality and safety requirements.

Options:

- Extended black drop
- Without borders

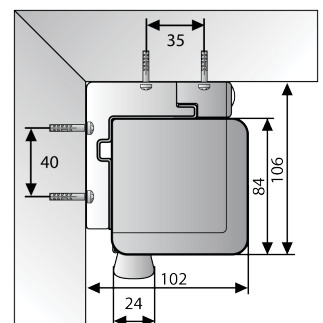


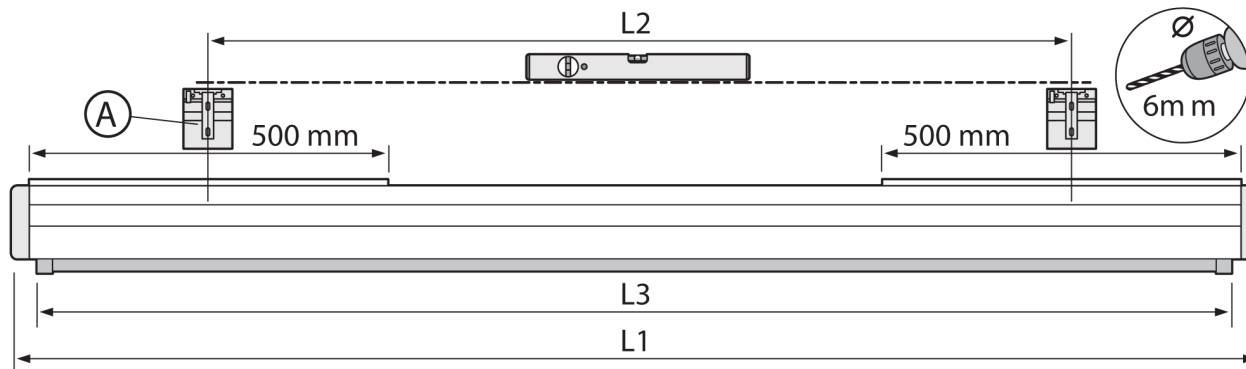
Aspect Ratios:



Available dimensions

Minimum width: 160 cm
Maximum width: 240 cm



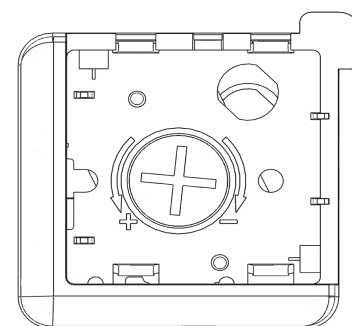


		Viewing Area	Dimensions			Border	Net weight
		cm	L1 mm	L2 mm	L3 mm	cm	kg
16:10	115 x 180	105 x 170	1914	1734	1820	5	12
	129 x 200	119 x 190	2134	1954	2040	5	14
	141 x 220	131 x 210	2334	1754	2240	5	16
	154 x 240	144 x 230	2534	2354	2440	5	18
16:9	102 x 180	95 x 168	1914	1734	1820	5	12
	117 x 200	107 x 190	2134	1954	2040	5	14
	128 x 220	118 x 210	2334	1754	2240	5	16
	139 x 240	129 x 230	2534	2354	2440	5	18
4:3	138 x 180	126 x 168	1914	1734	1820	5	12
	153 x 200	143 x 190	2134	1954	2040	5	14
	168 x 220	158 x 210	2334	1754	2240	5	16
	183 x 240	173 x 230	2534	2354	2440	5	18
1:1	160 x 160	151 x 151	1714	1534	1620	2,5 L/R	10
	180 x 180	173 x 173	1914	1734	1820	2,5 L/R	12
	200 x 200	195 x 195	2134	1954	2040	2,5 L/R	14
	220 x 220	215 x 215	2334	1754	2240	2,5 L/R	16
	240 x 240	230 x 230	2534	2354	2440	2,5 L/R	18

CSR adjustment option

To adjust retraction speed remove the endcap on the right side of the projection screen. Use a large screwdriver to turn the adjustment knob on the right end of the screen. To increase travel speed turn counterclockwise. To decrease the travel speed turn clockwise. Adjustments should be made in half turn increments and travel speed checked before adjusting further.

If the screen locks at the bottom and will not retract, turn adjustment knob one quarter turn counterclockwise.



Available standard resolution projection surfaces

All screen surfaces are seamless in the viewing area.

Matte White

Gain: 1.0
Viewing Angle: 120°
Base material: Fiberglass
Fire retardancy: B2
Black backing: Yes
Opacity rating: > 99 %
Seamless: Yes
GreenGuard certification: Yes

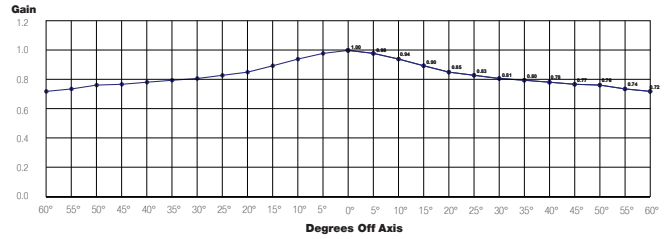


Standard: UL 2818 - 2013 Standard for Chemical Emissions for Building Materials, Finishes and Furnishings

Certification number

Greenguard - 4710-410

Greenguard Gold - 4710-420



Certifications

- Products are manufactured in an ISO14001 certified facility
- Projecta is an ISO 9001 certified company
- REACH - Registration, Evaluation, Authorisation and Restriction of Chemical substances.
- RoHS - Restriction of Hazardous Substances.
- WEEE - Waste Electronic and Electrical Equipment Regulations.



Customisation

Give exact the sizes of the projection screen you need:

Viewing size: _____ Height (cm.) x _____ width (cm.)

Surface: _____ Border top: _____ (cm.) Border bottom: _____ (cm.)

RAL color case and plastic parts: RAL _____

Screen fabric mounted reversely

Remarks: _____

Accessories - control options

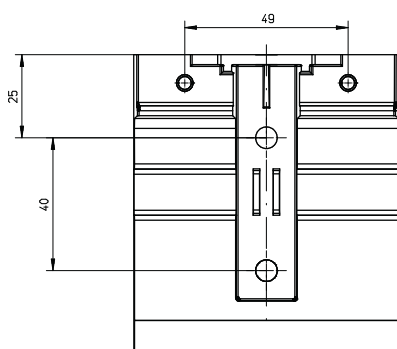
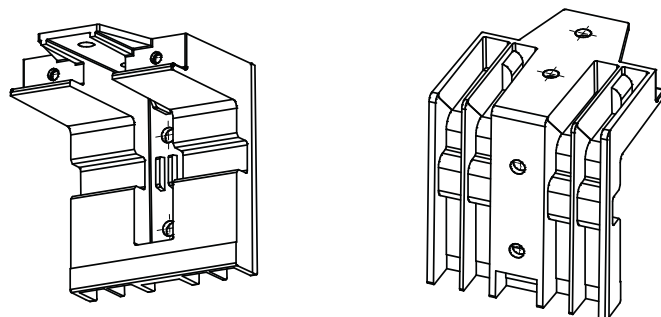
Pull Rod

Accessories - installation

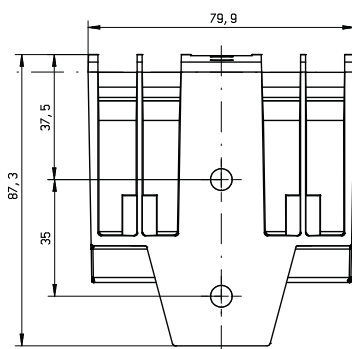
- Ceiling brackets (100 cm.)
- Set extension brackets (75 cm.)
- Set extension brackets (30 cm.)
- Set extension brackets (10 cm.)
- Wall clamps

ProScreen - mounting bracket included

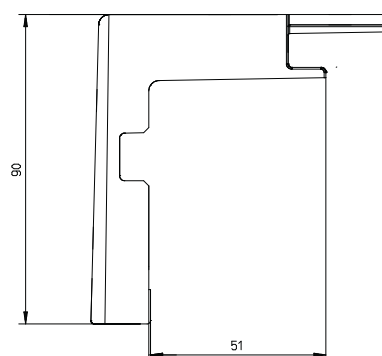
(Dimensions in mm)



front view



top view



side view

Warranty

Da-Lite provides a limited 5 year warranty on the Elpro Concept range and a limited 2 year warranty on all other products. The warranty on the motor of electrical screens is 5 year. All warranties are in effect beginning the date the product was invoiced by Da-Lite.