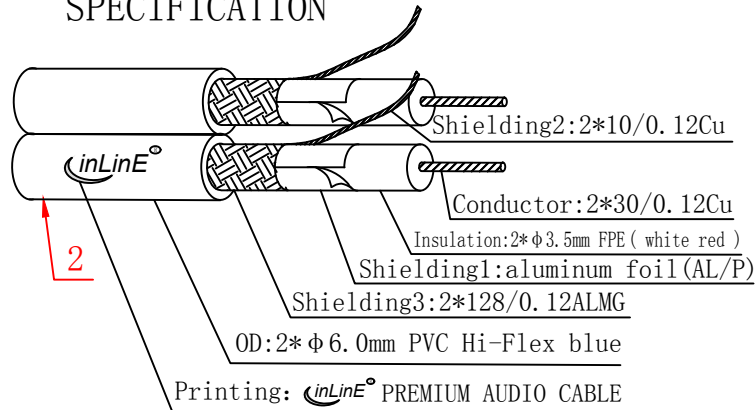
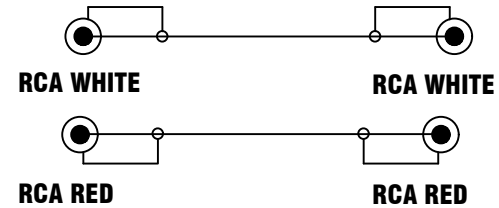


**SPECIFICATION**



**WIRING DIAGRAM**



PART NO.	LENGTH
89750P	0.5m±20mm
89701P	1.0m±30mm
98702P	2.0m±30mm
89703P	3.0m±30mm
89705P	5.0m±50mm
89707P	7.0m±70mm
89710P	10m±100mm
89715P	15m±100mm
89720P	20m±100mm
89725P	25m±100mm
89730P	30m±100mm

4	COLOR RING	White	2PCS
3	COLOR RING	Red	2PCS
2	CABLE	2C AV CABLE BLUE	L
1	CONNECTORS	GOLD RCA Male With Black Rubber Ring Shell Printed black logo inLinE OD:6.5mm	4PCS
NO.	PARTS NAME	SPECIFICATION STANDARD	QTY

- TESTING: 100% OPEN AND SHORT AND MISWIRE TEST.
- CONDUCTION RESISTANCE: 5 OHM MAX
- INSULATION RESISTANCE: 10 OHM MAX
- WITHSTAND VOLTAGE: 300V
- 100% RoHS COMPLIANT.

01	NEW ISSUE	2020.05.06
REV.	MODIFY DESCRIPTION	DATE

	SCALE	NONE	<b>TITLE</b> <b>AUDIO CABLE</b>	CUS. NAME INTOS ELECTRONIC AG
	SHEET	1/1		
DIMENSIONAL TOLERANCES UNLESS OTHERWISE NOTED .X ±      .XX ±			CUS. P/N 897xxP	ENG.      DATE
.XXX ±      ANGLES ±				DRAWING NO .
REV.	00	CUS. REV	MW-89-002	APPROVED      DATE