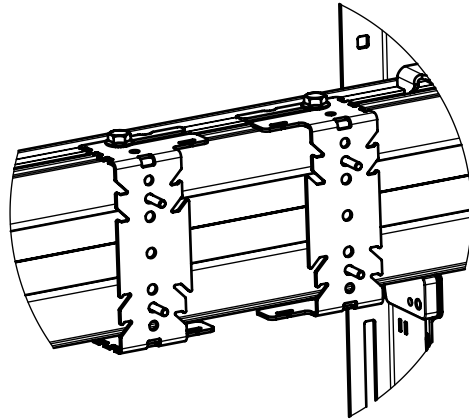
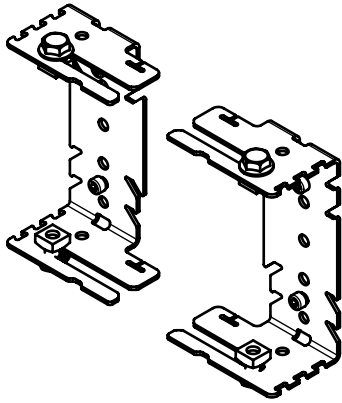


Product data sheet

RISE A122 MOUNTING BRACKET PERIPHERALS



Dimensions in mm [inch]

Max weight: 1,5 Kg

Mounting kit:

Mounting Fasteners:
M8x10 Hex. Flange Bolt 4x
M6 T-Slot nut 4x

Projector Fasteners:
M5x20 Socket head cap Screw 4x

Detail A
(1 : 5)

