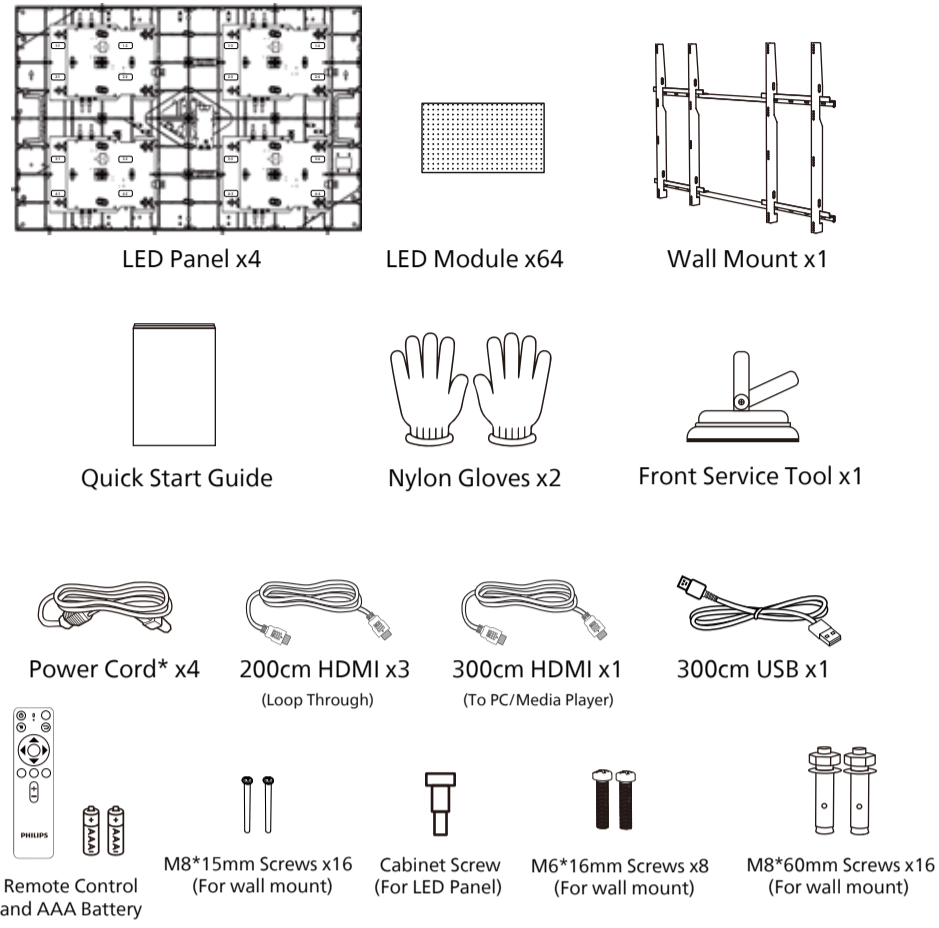
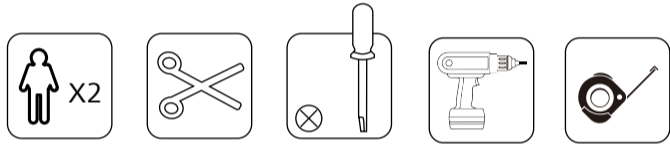


Contents

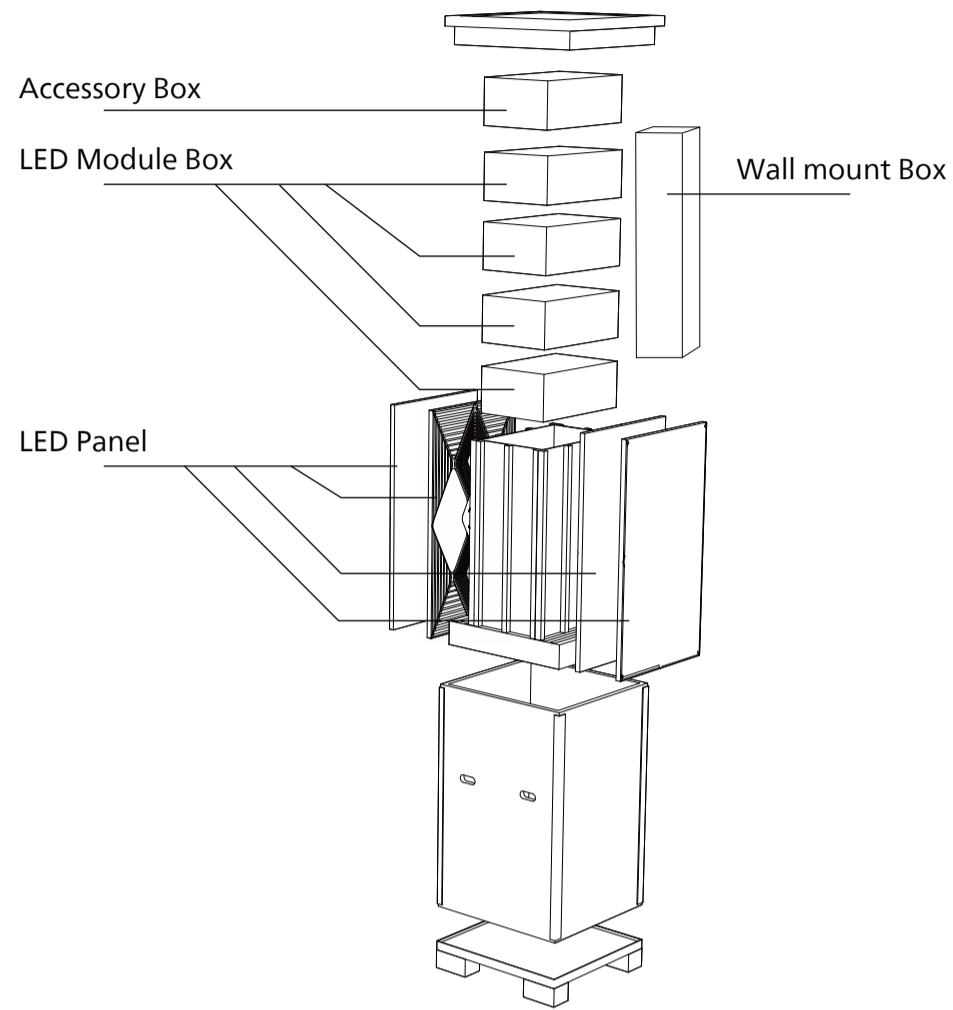
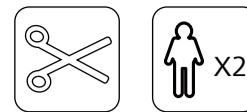


*Different according to regions
Display design and accessories may differ from those illustrated above.

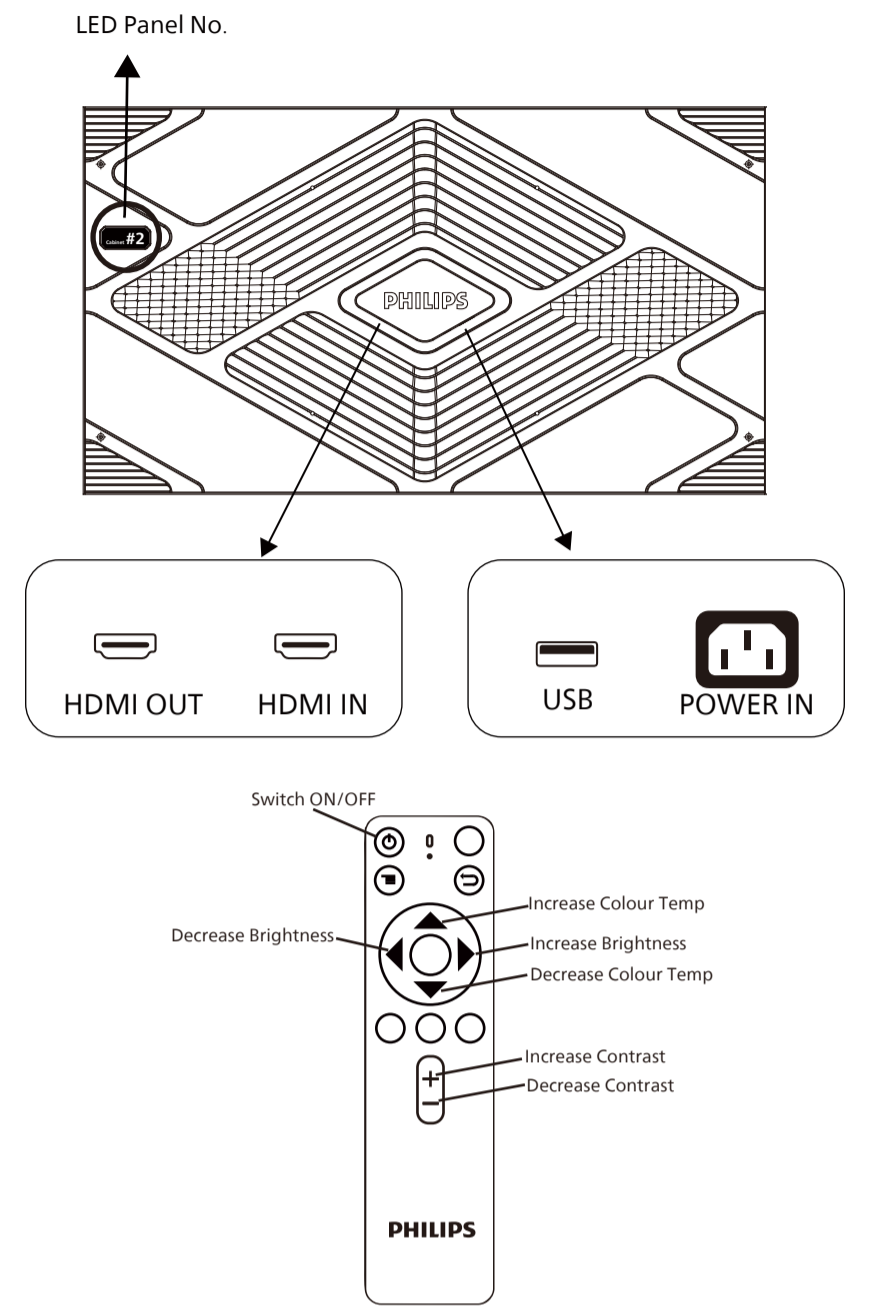


*These tools are not included in the product.

1 Unboxing



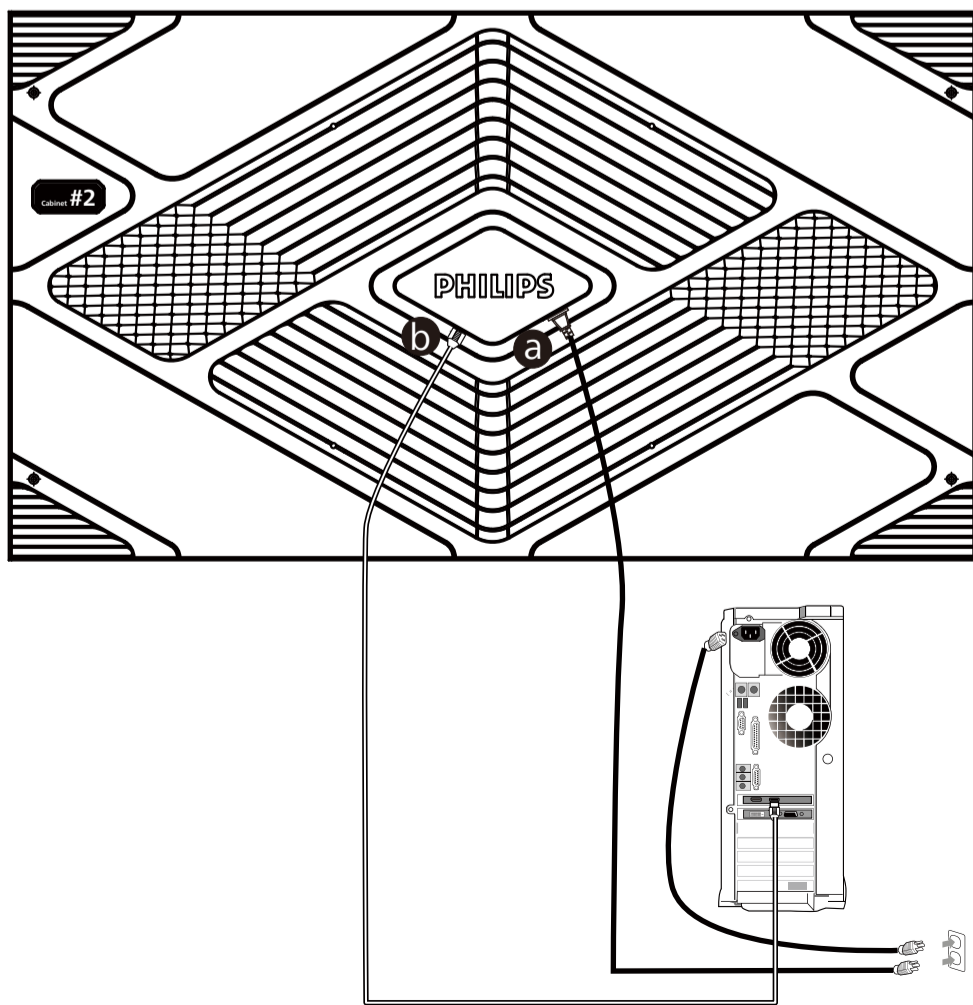
2 Input/Output and Remote Control



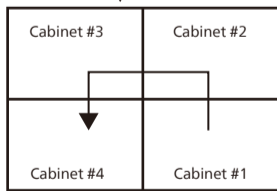
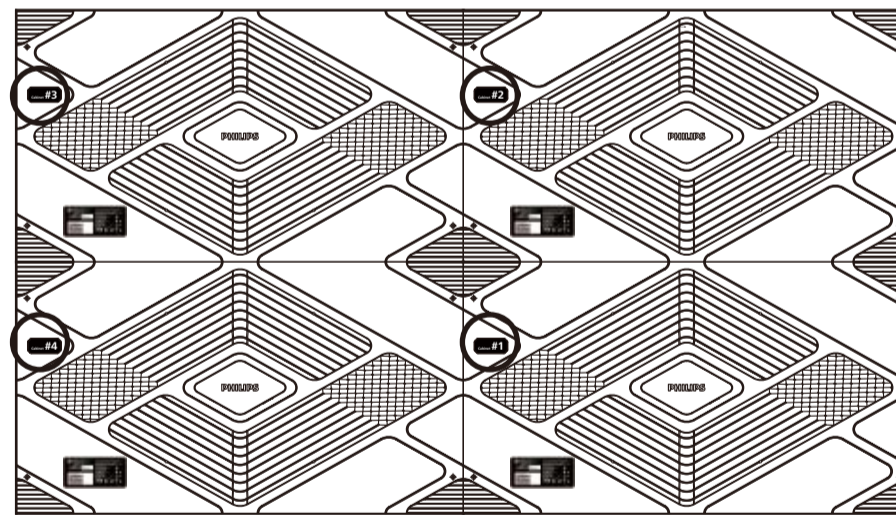
3 Connection



Single LED Panel Cabling

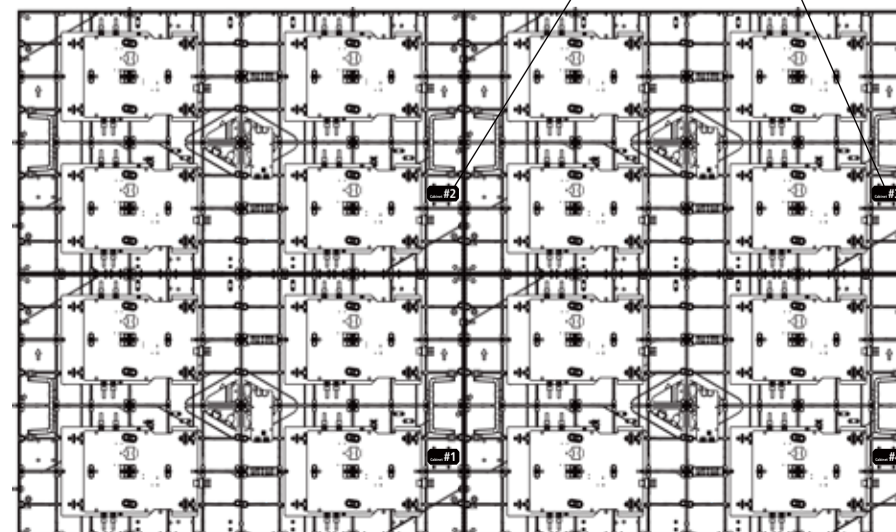


Back View

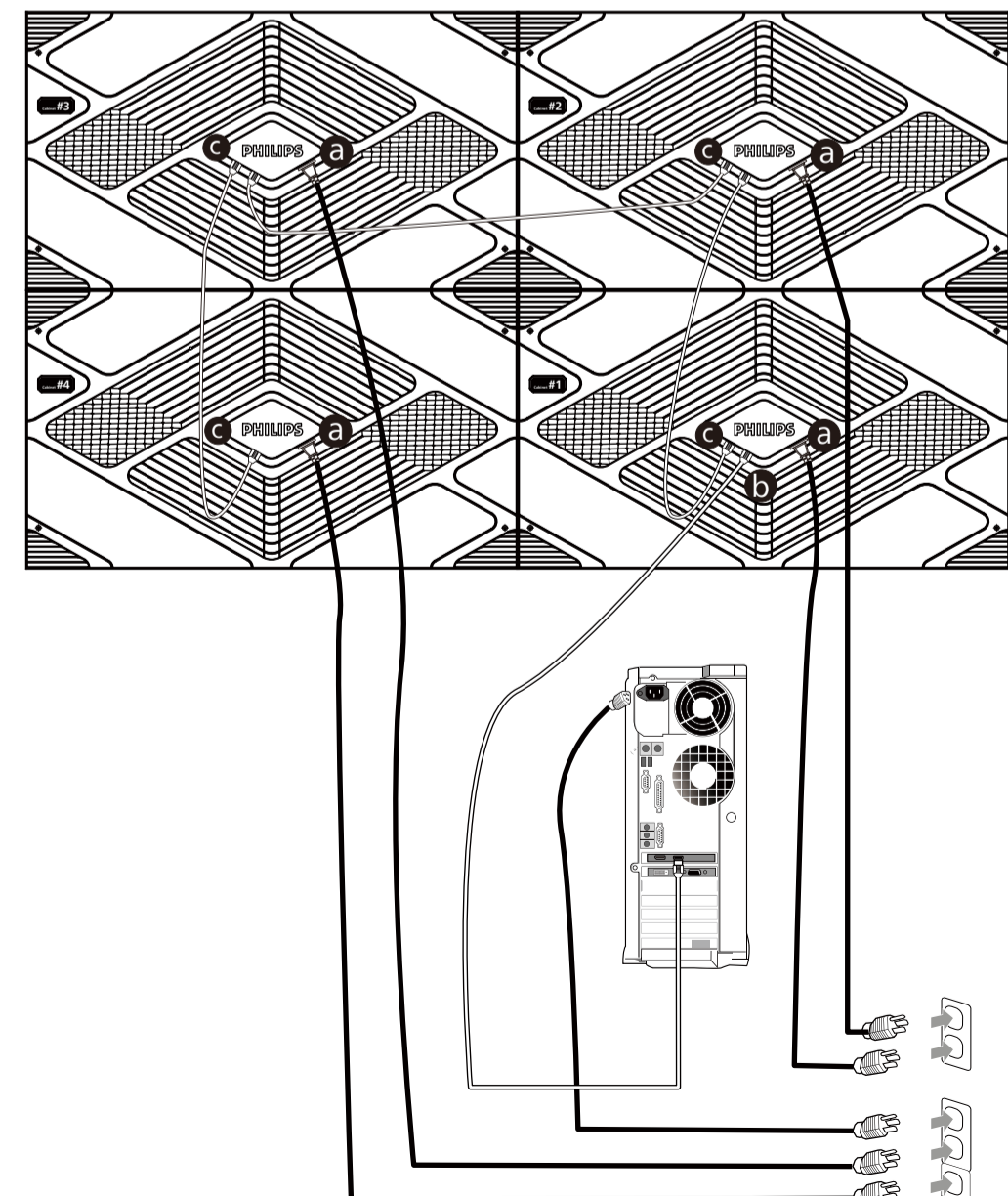


* The Assembly Arrangement should be according to Cabinet No. (Take Note of the Cabinet No. during Back & Front View)

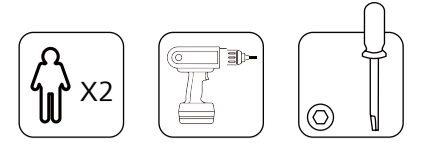
Front View



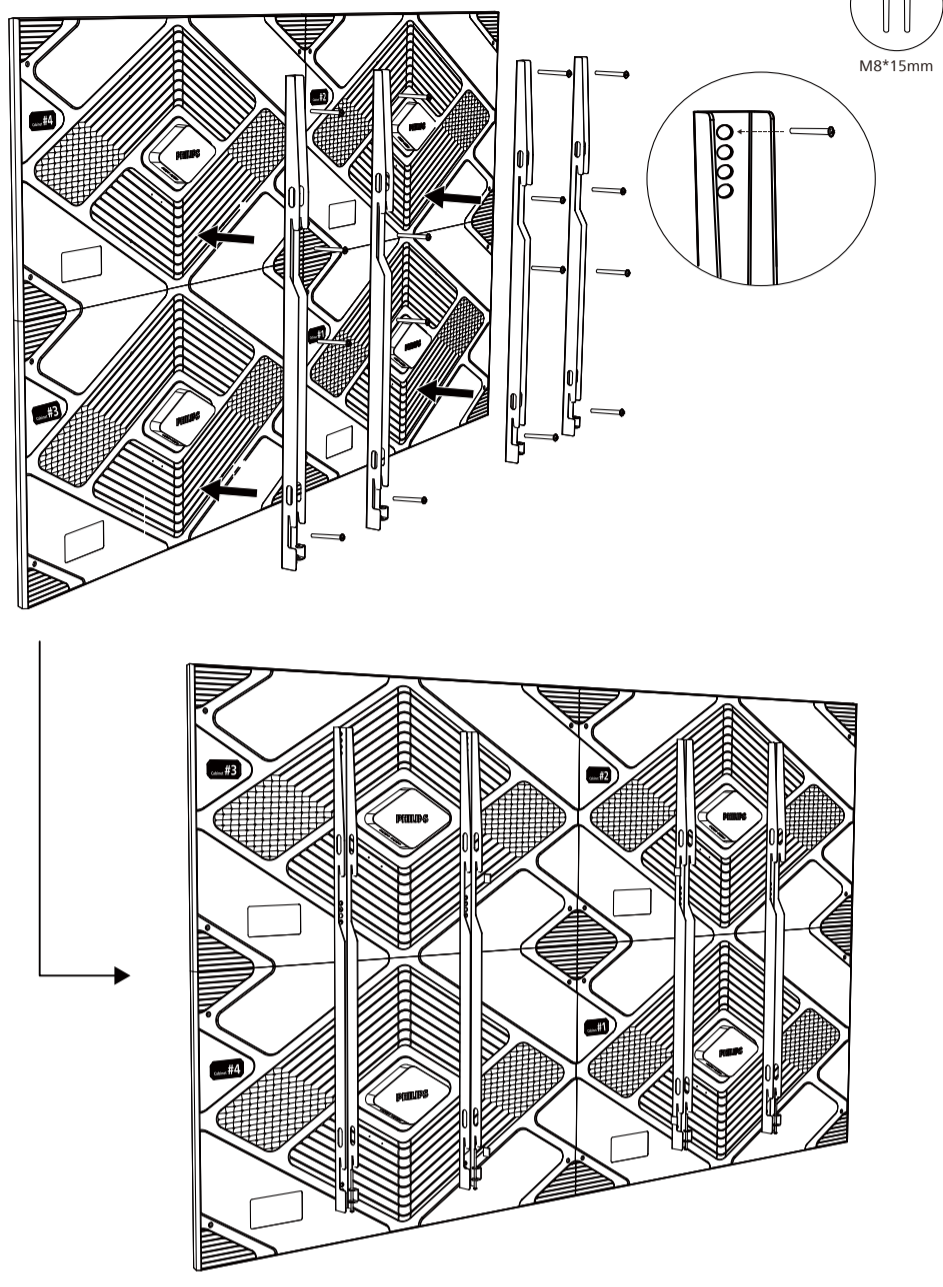
2x2 LED Panel Cabling



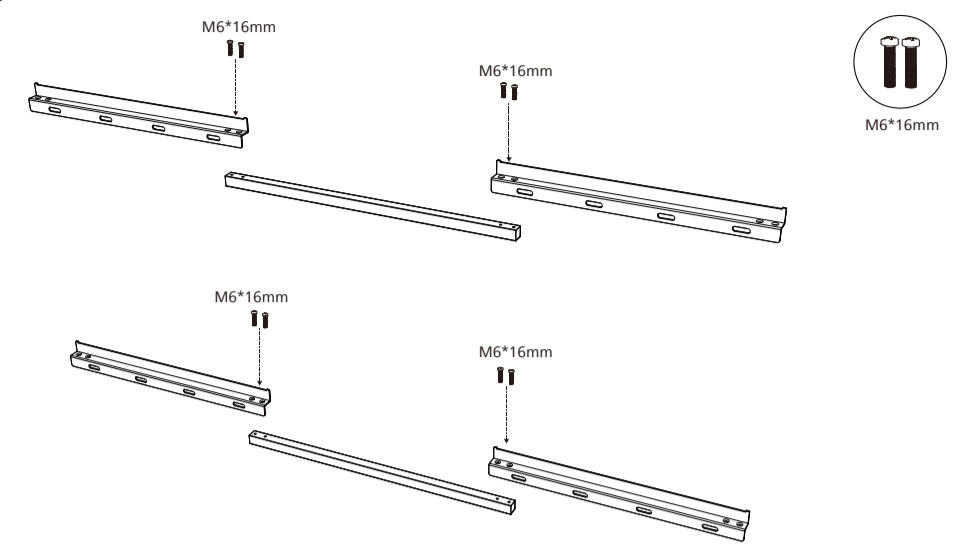
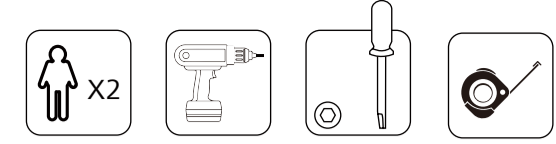
4 Installation



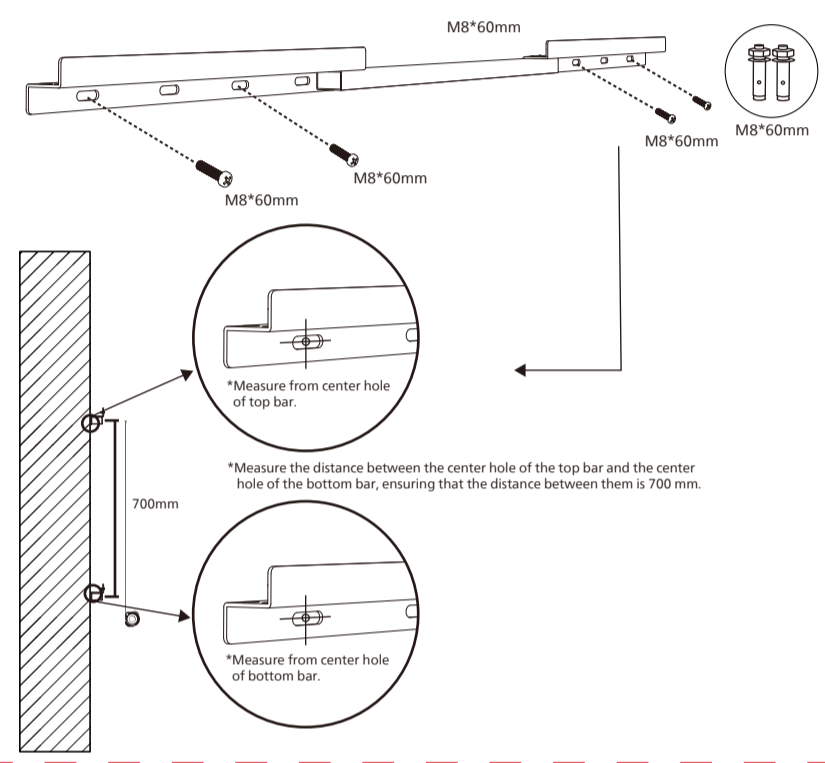
Step 1



Step 2



Step 3

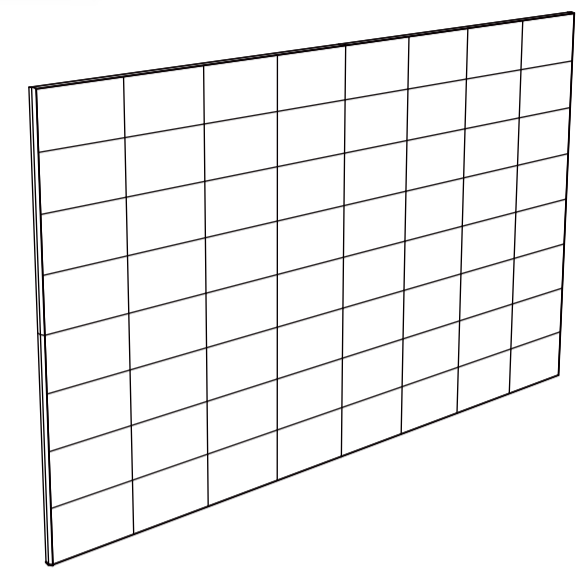


PHILIPS

Unite LED

7000 Series

110HDL70121A

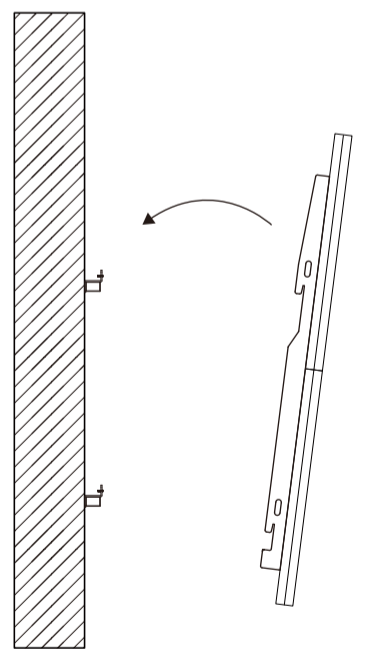
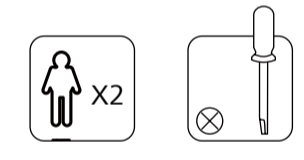


Quick start

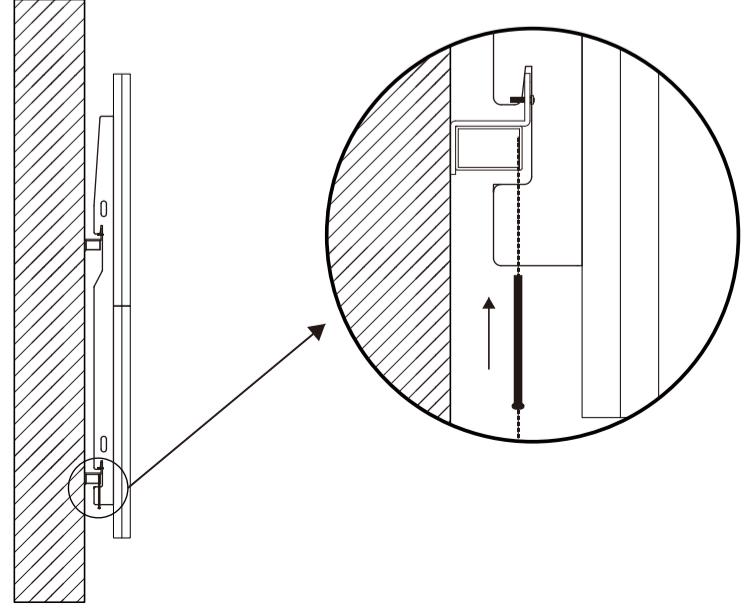


For more information, please visit:
<https://www.philips.com/ppds>

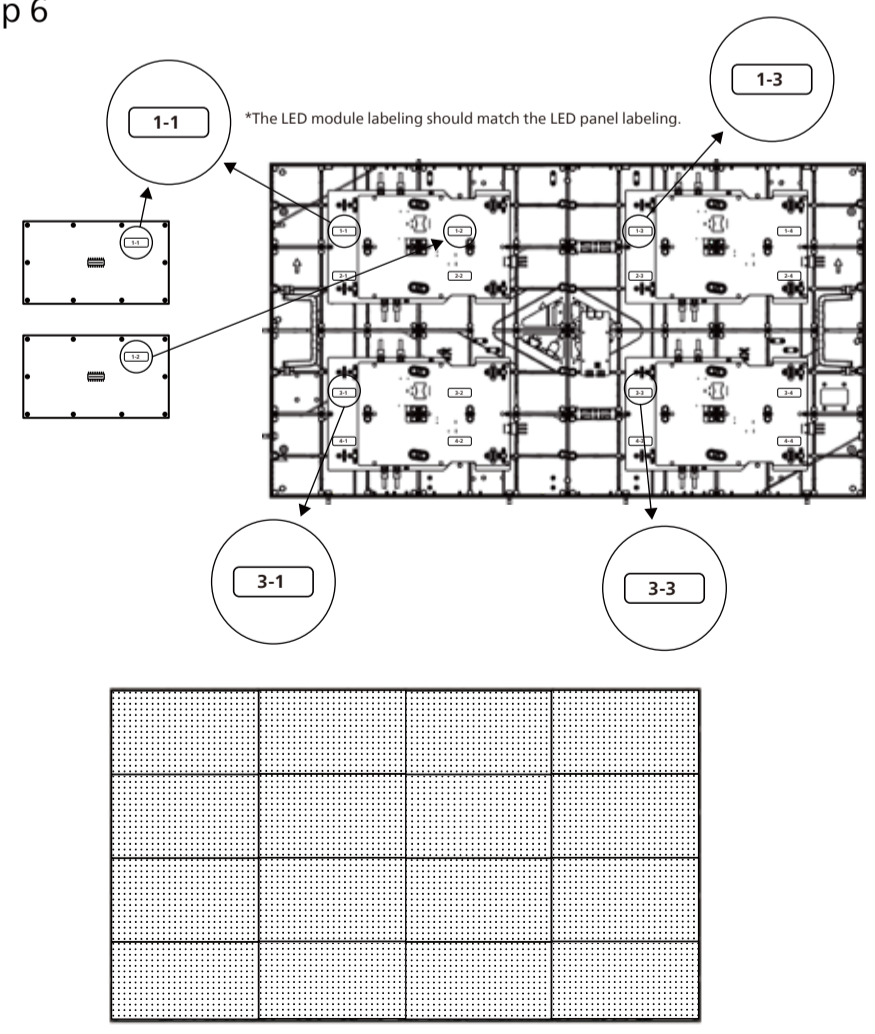
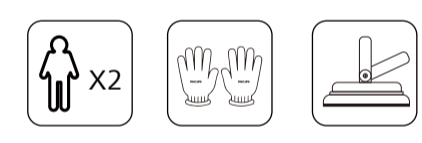
Step 4



Step 5



Step 6



Version: V1.00 2024-03-08

TPV USA Corp
 6525 Carnegie Blvd #200
 Charlotte, NC 28211
 USA

2024 © TOP Victory Investments Ltd. All rights reserved.

This product has been manufactured by and is sold under the responsibility of Top Victory Investments Ltd., and Top Victory Investments Ltd. is the warrantor in relation to this product. Philips and the Philips Shield Emblem are registered trademarks of Koninklijke Philips N.V. and are used under license.

Specifications are subject to change without notice.