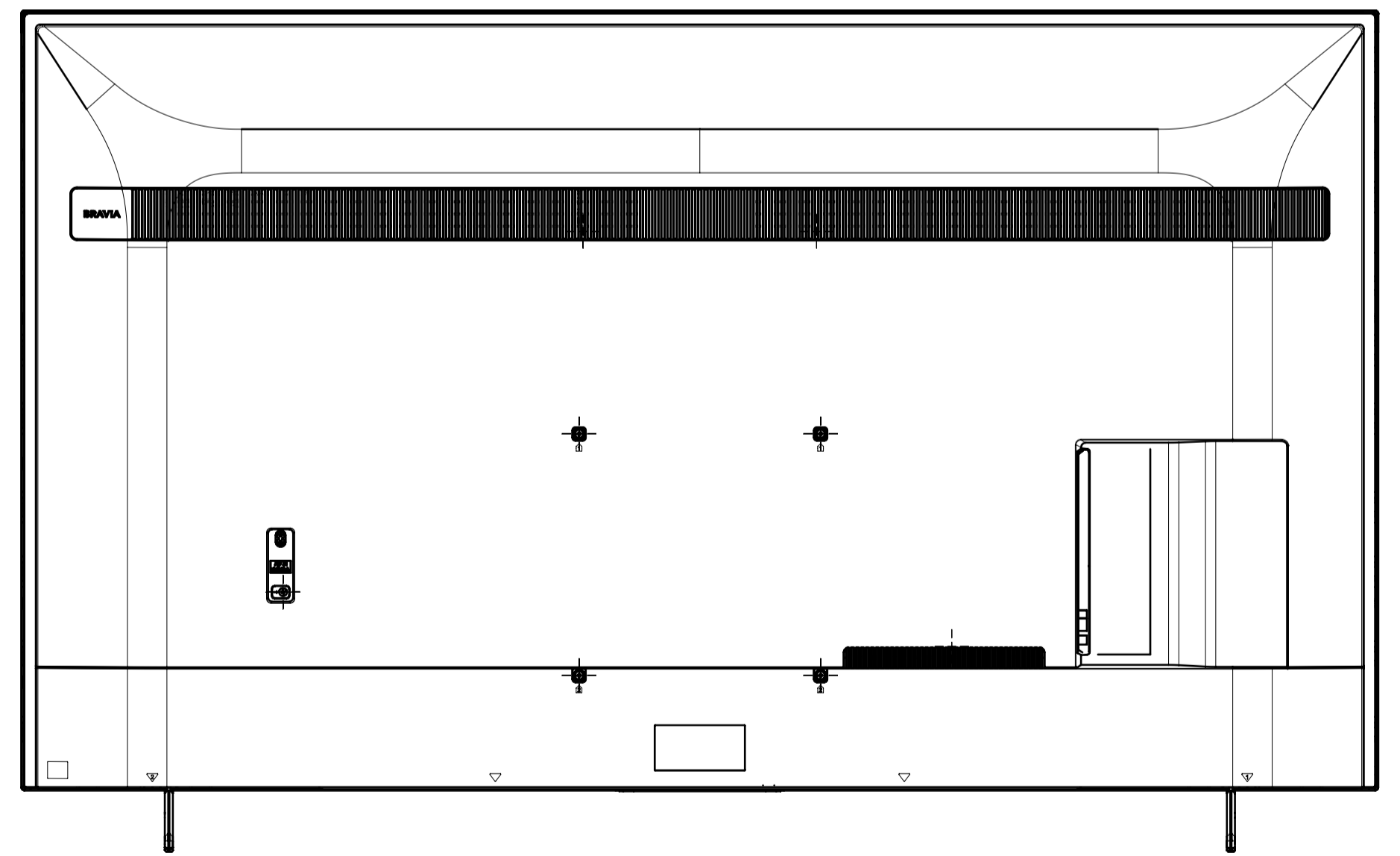
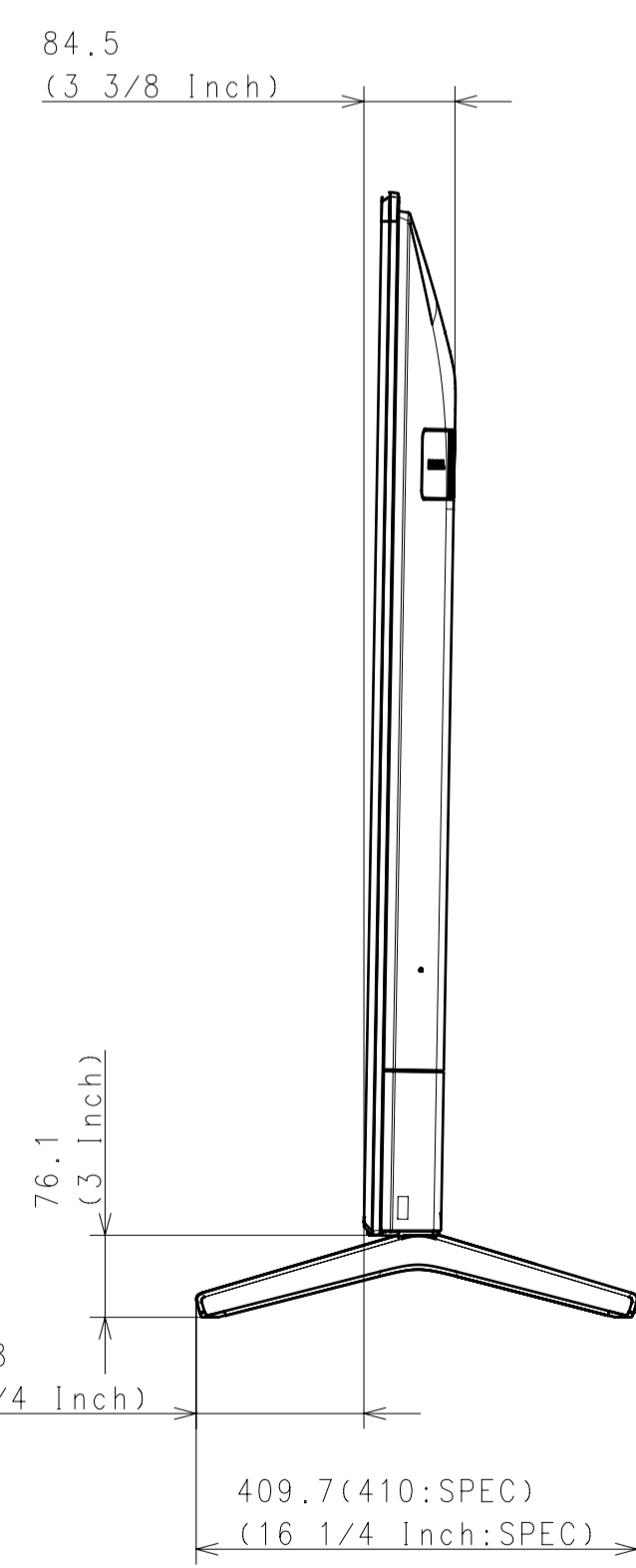
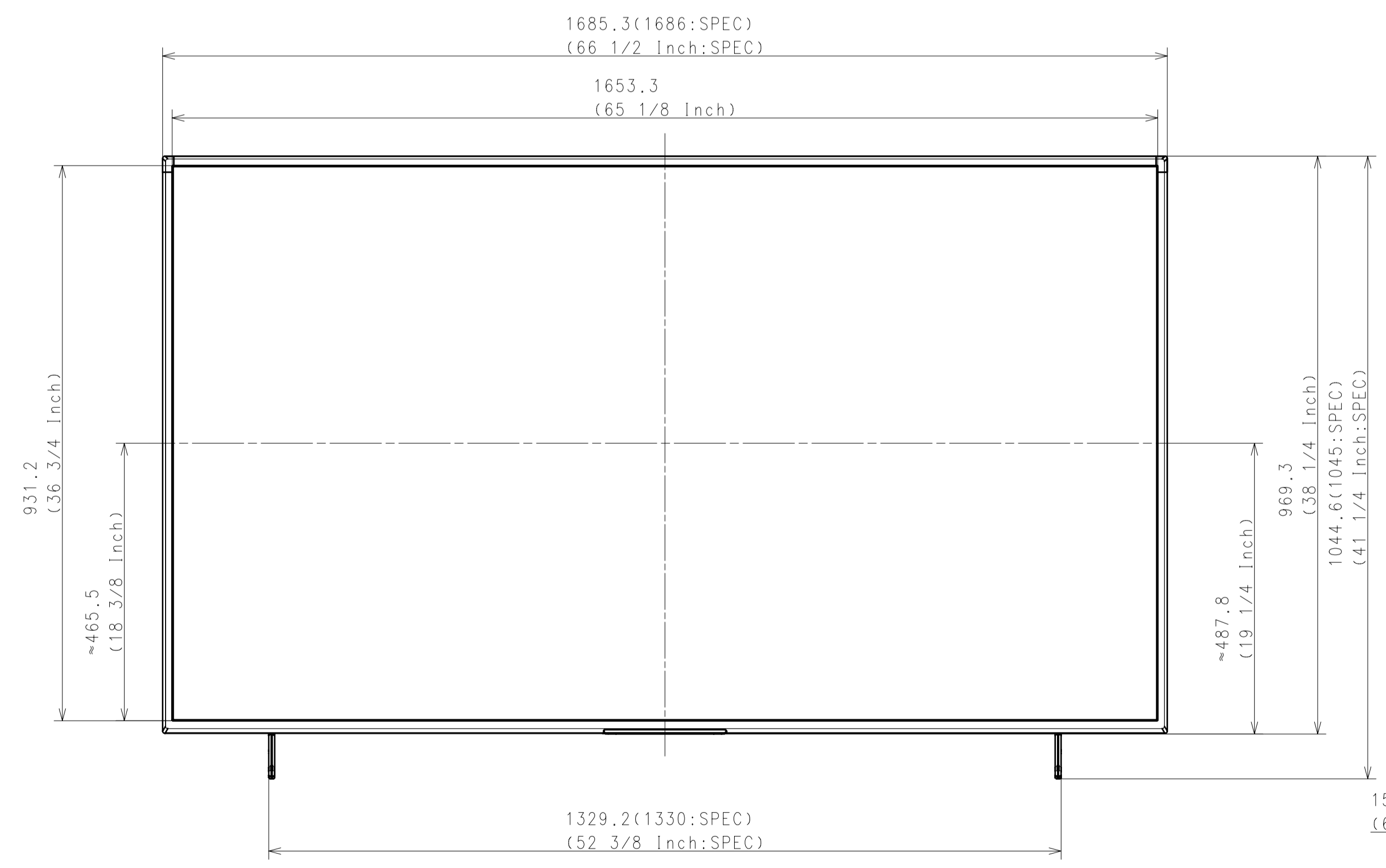
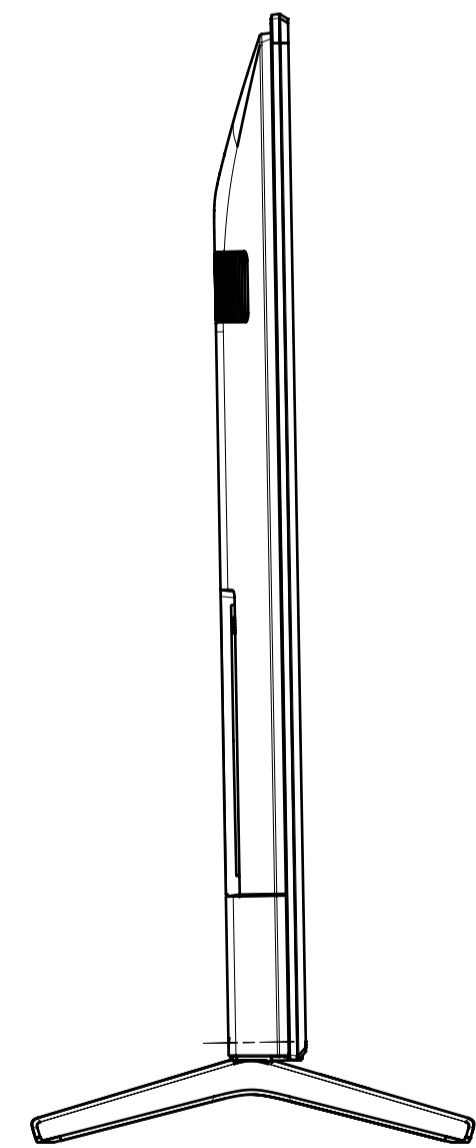
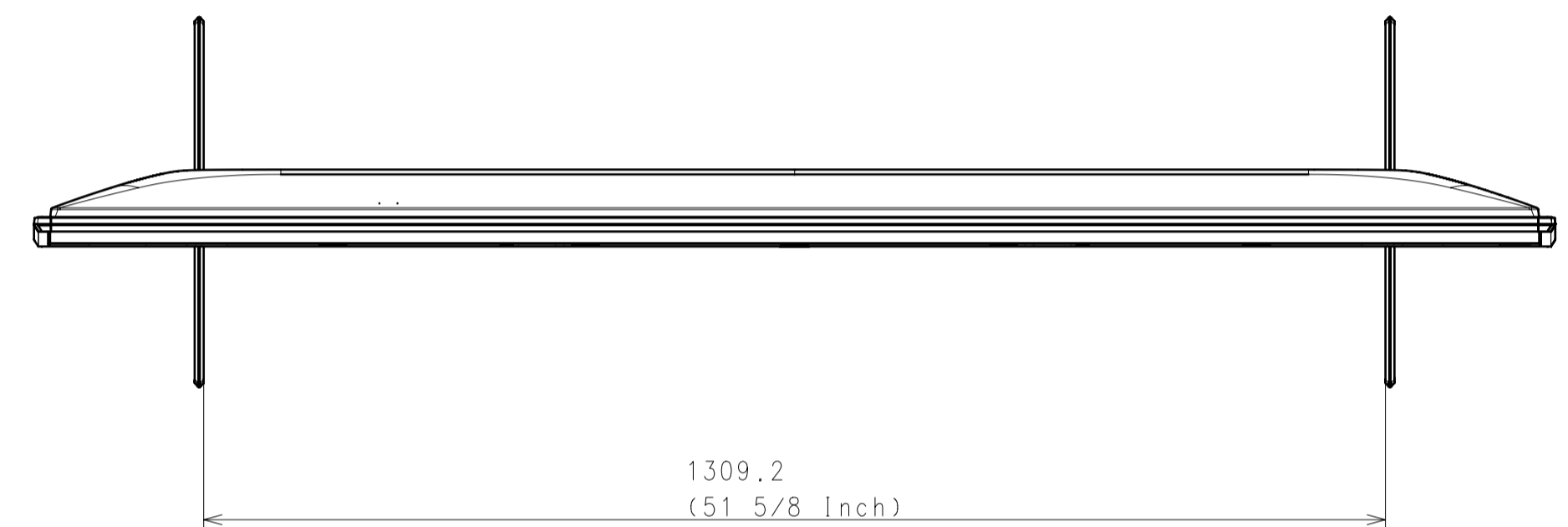


Area		JAPAN	NORTH AMERICA	EUROPE	GENERAL AREA	CHINA
Model Name		FW-75BZ40L	FW-75BZ40L	FW-75BZ40L	FW-75BZ40L	FW-75BZ40L
SV No.		SV-41558	SV-41412	SV-41496	SV-41495	SV-41520
DIMENSION	TV only (W x H x D)	168.6 x 96.9 x 7.2 cm	1686 x 969 x 72 mm / 66 1/2 x 38 1/4 x 2 7/8 inch	Approx. 168.6 x 96.9 x 7.2 cm	Approx. 1686 x 969 x 72 mm	Approx. 1686 x 969 x 72 mm
	TV only with camera (W x H x D)	-	-	-	-	-
	TV with Stand (Standard position) (W x H x D)	168.6 x 104.5 x 41.0 cm	1686 x 1045 x 410 mm / 66 1/2 x 41 1/4 x 16 1/4 inch	Approx. 168.6 x 104.5 x 41.0 cm	Approx. 1686 x 1045 x 410 mm	Approx. 1686 x 1045 x 410 mm
	TV with Stand (Narrow position) (W x H x D)	-	-	-	-	-
	TV with Stand (Soundbar position) (W x H x D)	-	-	-	-	-
	TV with Stand (Front position style) (W x H x D)	-	-	-	-	-
	TV with Stand (Back position style) (W x H x D)	-	-	-	-	-
	TV with Floor Stand (W x H x D)	-	-	-	-	-
	Stand Width (Standard position)	133.0 cm	1330 mm / 52 3/8 inch	Approx. 133.0 cm	Approx. 1330 mm	Approx. 1330 mm
	Stand Width (Narrow position)	-	-	-	-	-
Stand Width (Soundbar position)	Stand Width (Soundbar position)	-	-	-	-	-
	Stand Width (Front position style)	-	-	-	-	-
	Stand Width (Back position style)	-	-	-	-	-
	Floor Stand Width	-	-	-	-	-
VESA Hole Pitch	30.0 x 30.0 cm	300 x 300 mm / 11 7/8 x 11 7/8 inch	30.0 x 30.0 cm	300 x 300 mm	300 x 300 mm	
TV Only	TV Only	31.5 kg	31.5 kg / 69.4 lb	Approx. 31.5 kg	Approx. 31.5 kg	Approx. 31.5 kg
	TV with Stand (Standard position)	32.7 kg	32.7 kg / 72.1 lb	Approx. 32.7 kg	Approx. 32.7 kg	Approx. 32.7 kg
TV with Stand (Narrow position)	TV with Stand (Narrow position)	-	-	-	-	-
	TV with Stand (Soundbar position)	-	-	-	-	-
	TV with Stand (Front/Back position style)	-	-	-	-	-
	TV with Floor Stand	-	-	-	-	-
Floor Stand weight (Supply)	Floor Stand weight (Supply)	-	-	-	-	-
	W-M't Br. Weight (Supply)	-	-	-	-	-
Remarks			Optional stand	Optional stand		

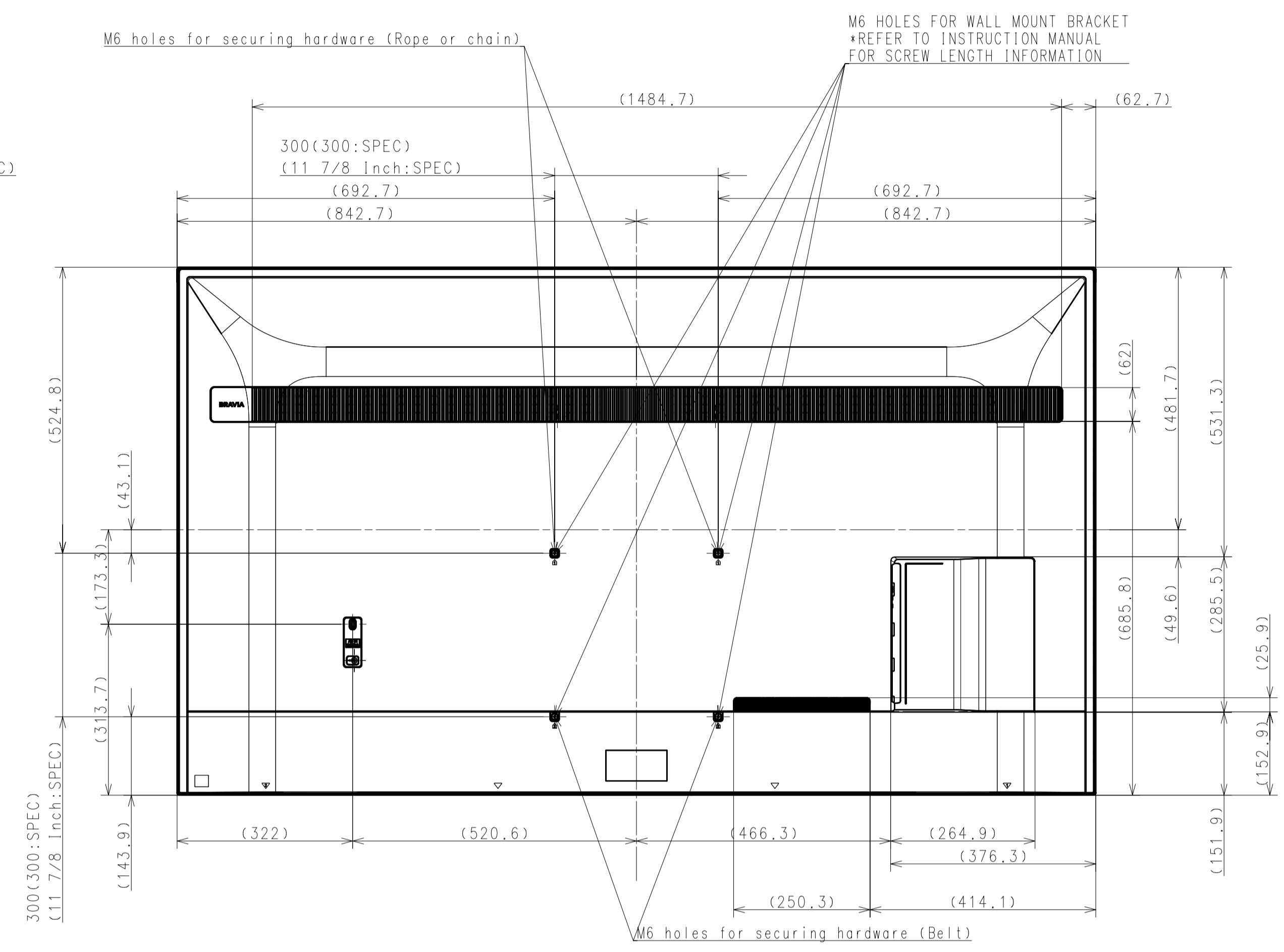
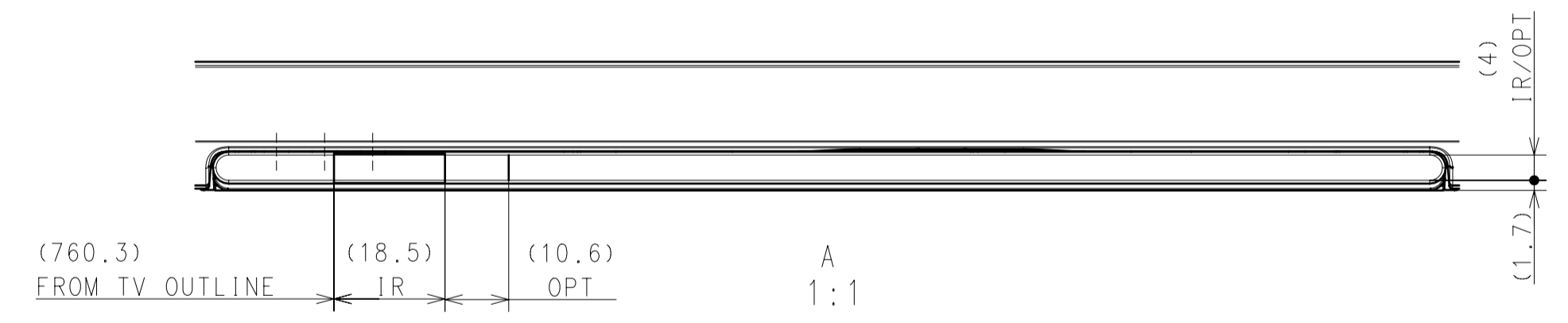
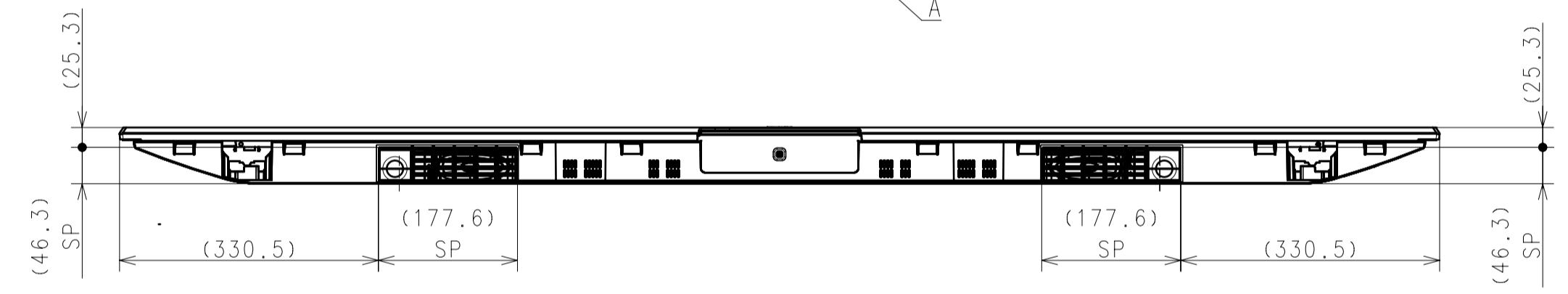
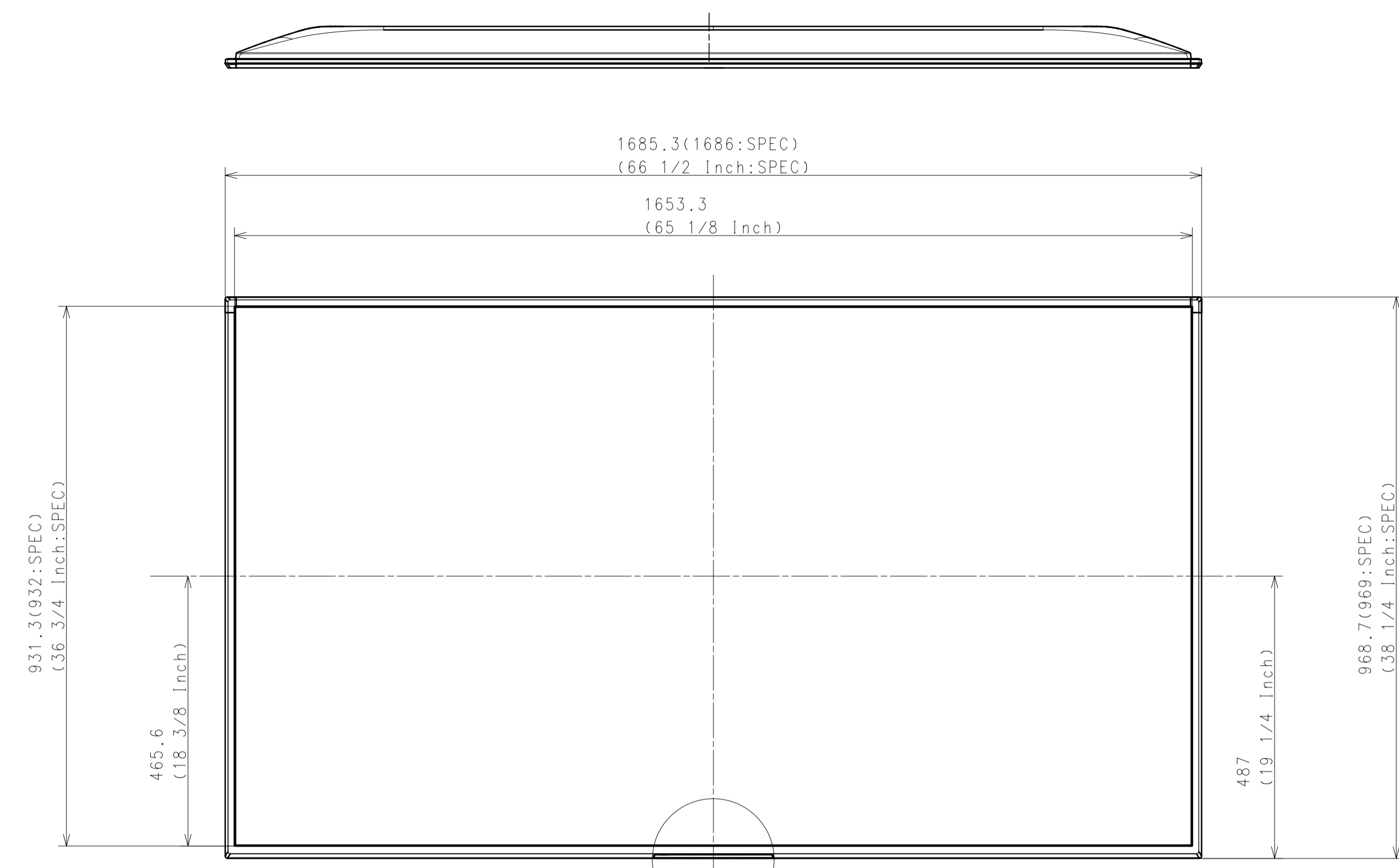
WITH STAND



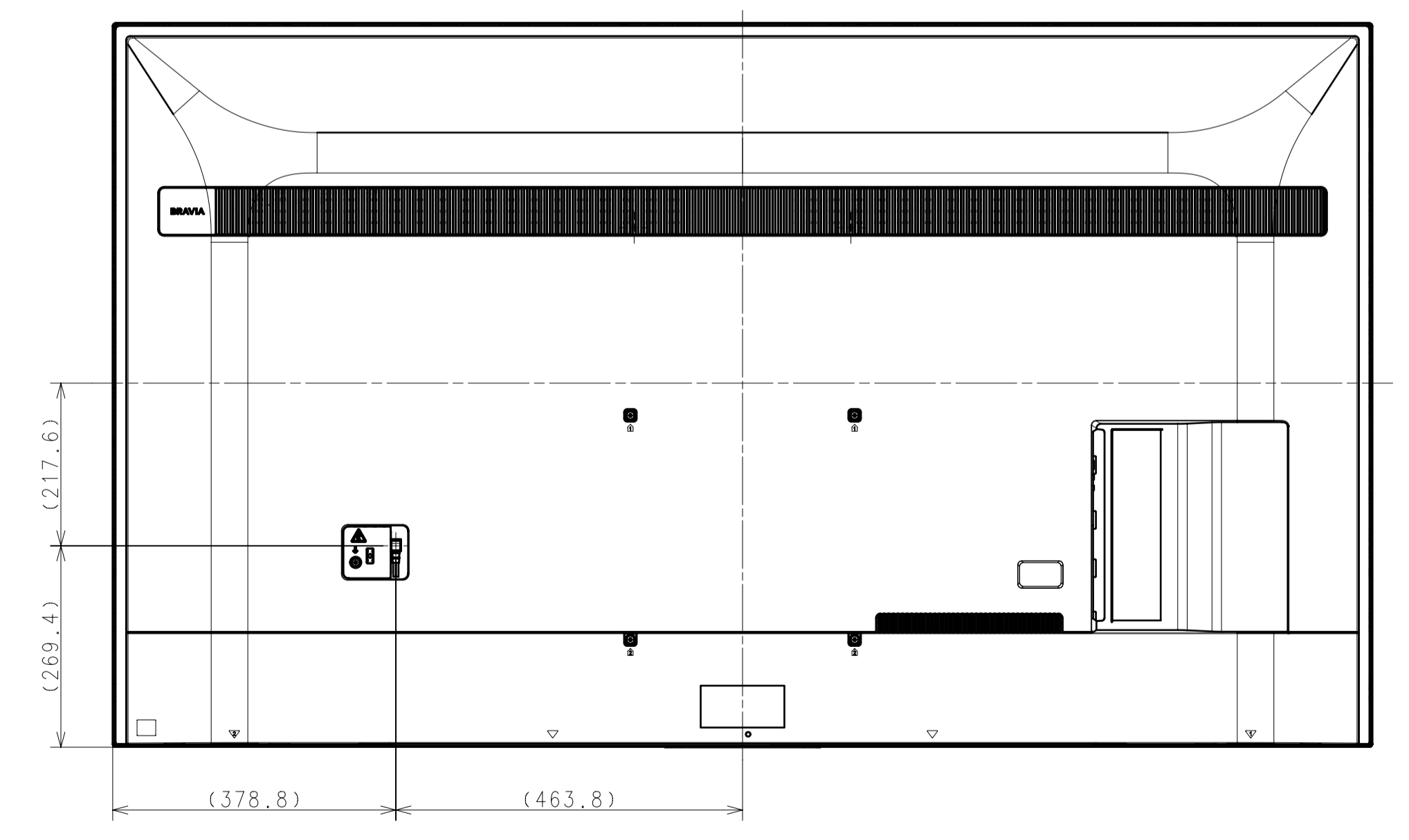
Purchase recycled resins and wire rods only from the business partners that Sony approves as Green Partners.  
再生樹脂・銅線はグリーンパートナー認定受注先から調達すること。

HISTORY / COUNT SUFFIX / AREA NO. RELEASE NO. / DATE REVISION SIGN.		GENERAL TOLERANCE DATE OF ISSUE: 2023.01.11 DOCUMENT TYPE: ASSEMBLY DRAWING TOLERANCING: JIS B 0013 (D12)	
RESPONSIBLE DEPARTMENT Sony Corporation		ORIGINAL MODEL: 75(BZ40L) EXTERIOR VIEW TENTATIVE MODEL: 75(BZ40L) EXTERIOR VIEW	
PLANNED BY DRAWN BY	CHECKED BY APPROVED BY	SCALE: 1:7 SIZE: A1 UNIT: mm	SHEET/PAGES: 1/4

WITHOUT STAND



For NORTH AMERICA, EUROPE, CHINA, GENERAL AREA



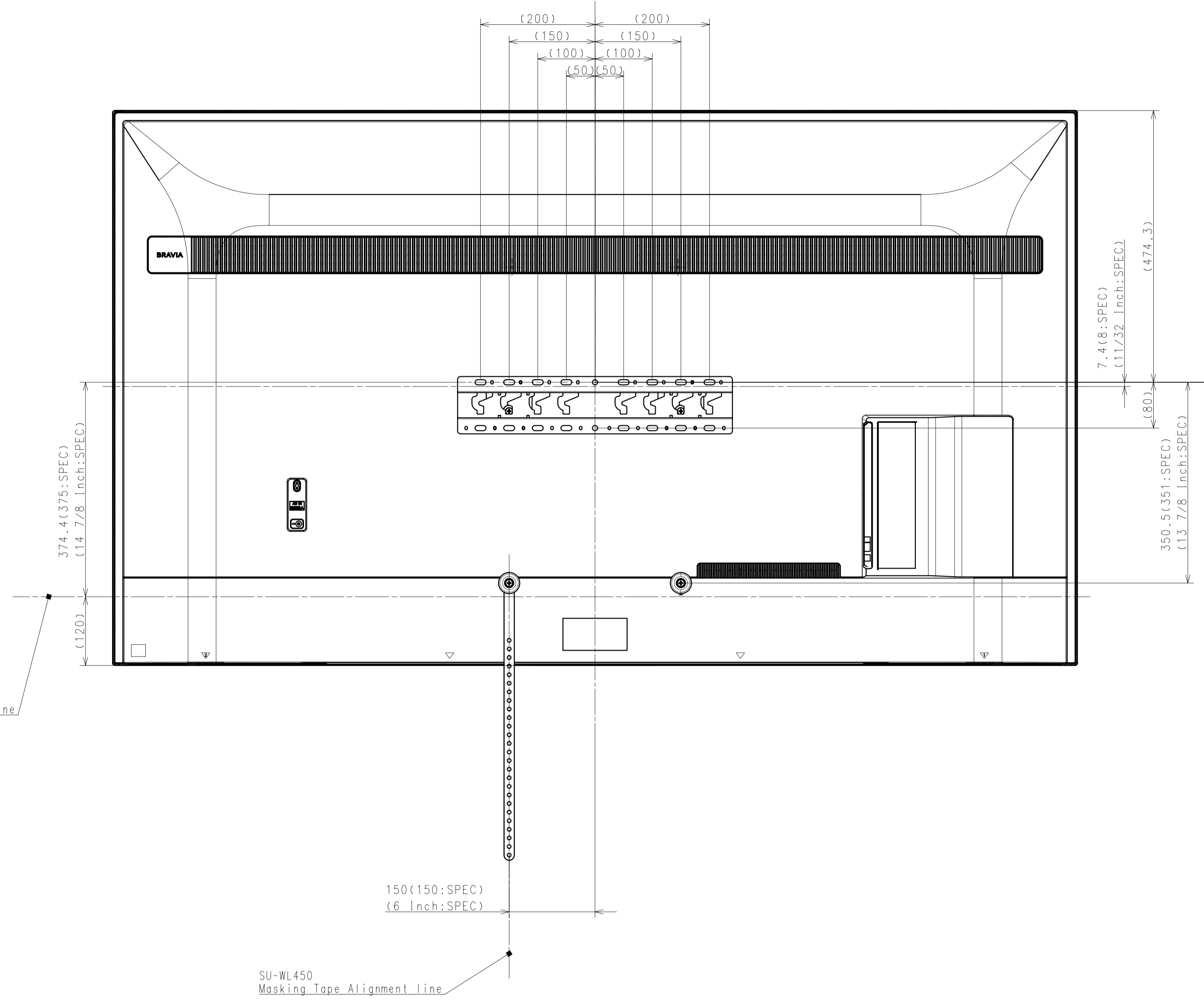
For JAPAN

DESCRIPTION/1 75(X80J) EXTERIOR VIEW	LEGAL OWNER Sony Corporation	SCALE 1:7
DESCRIPTION/2 75(X80J) EXTERIOR VIEW	TENTATIVE PART NO.	SHEET/PAGES 2 / 4

SU-WL450

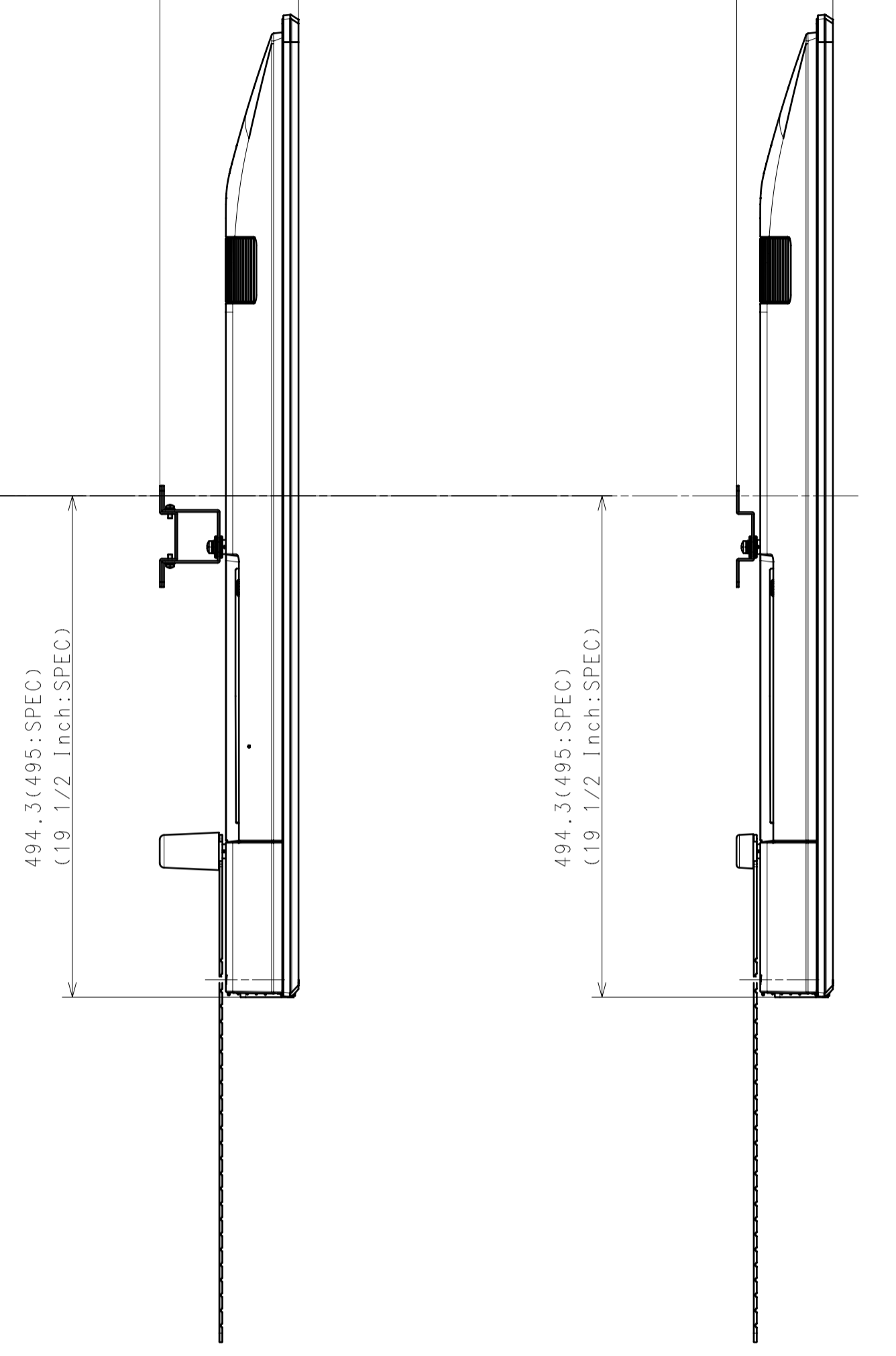
STANDARD

SLIM



136.6 (137:SPEC)  
(5 1/2 inch:SPEC)

94.8 (95:SPEC)  
(3 3/4 inch:SPEC)



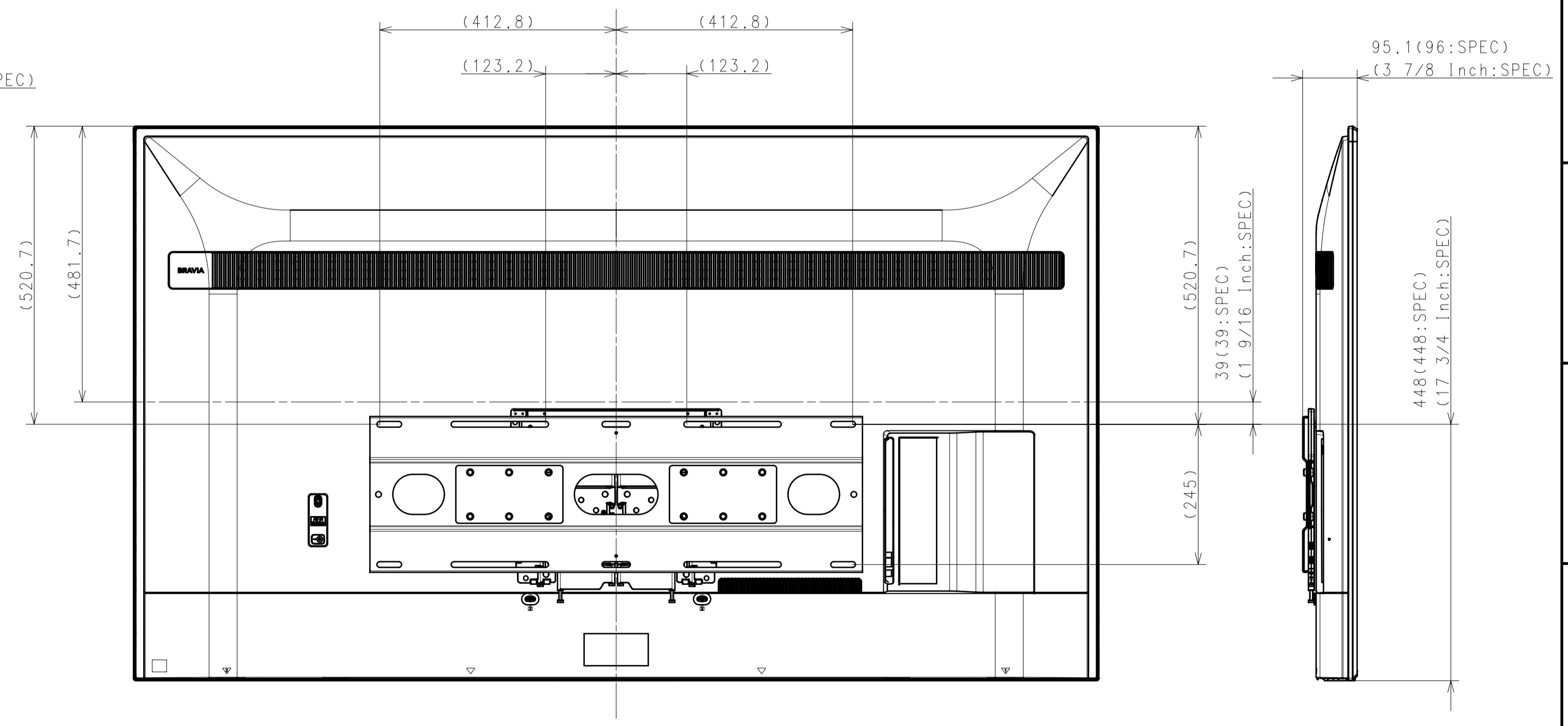
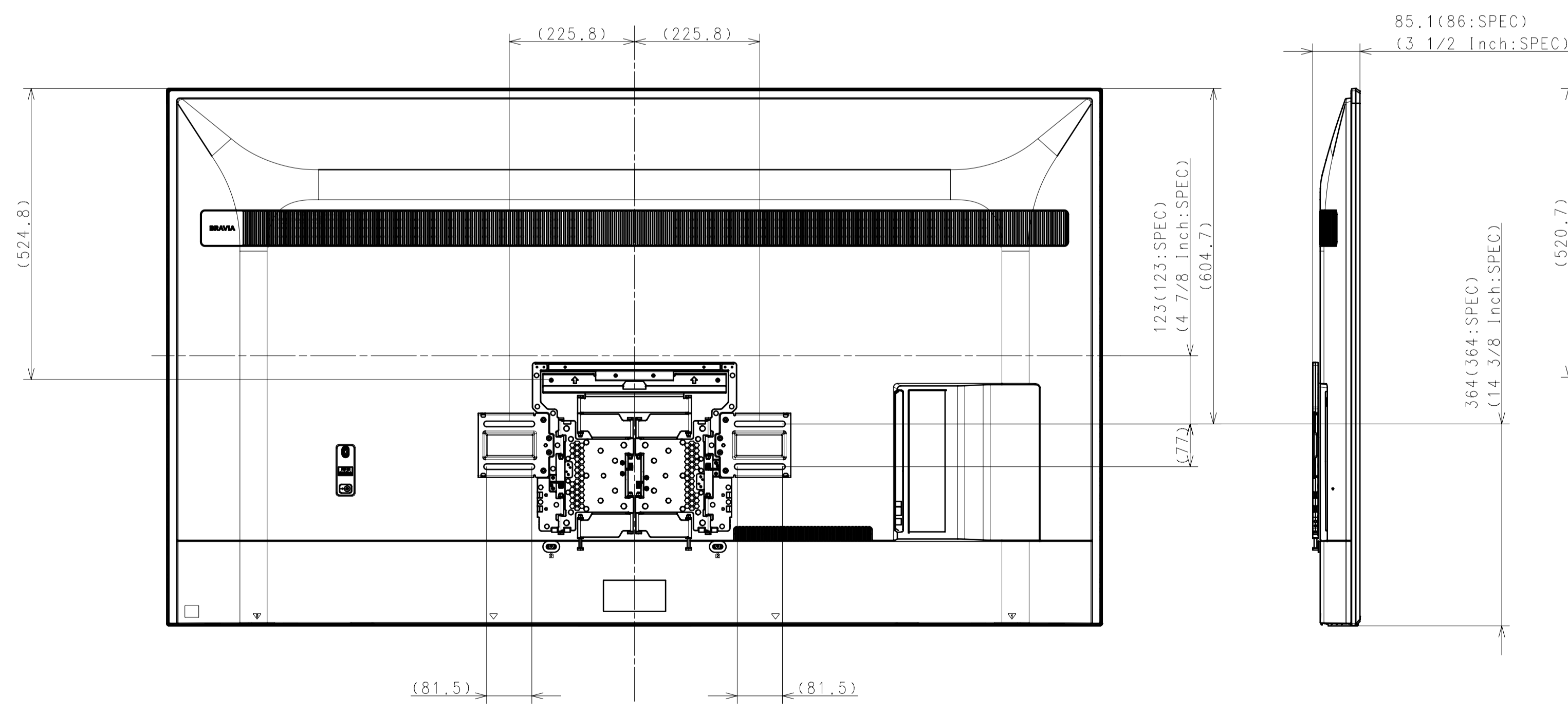
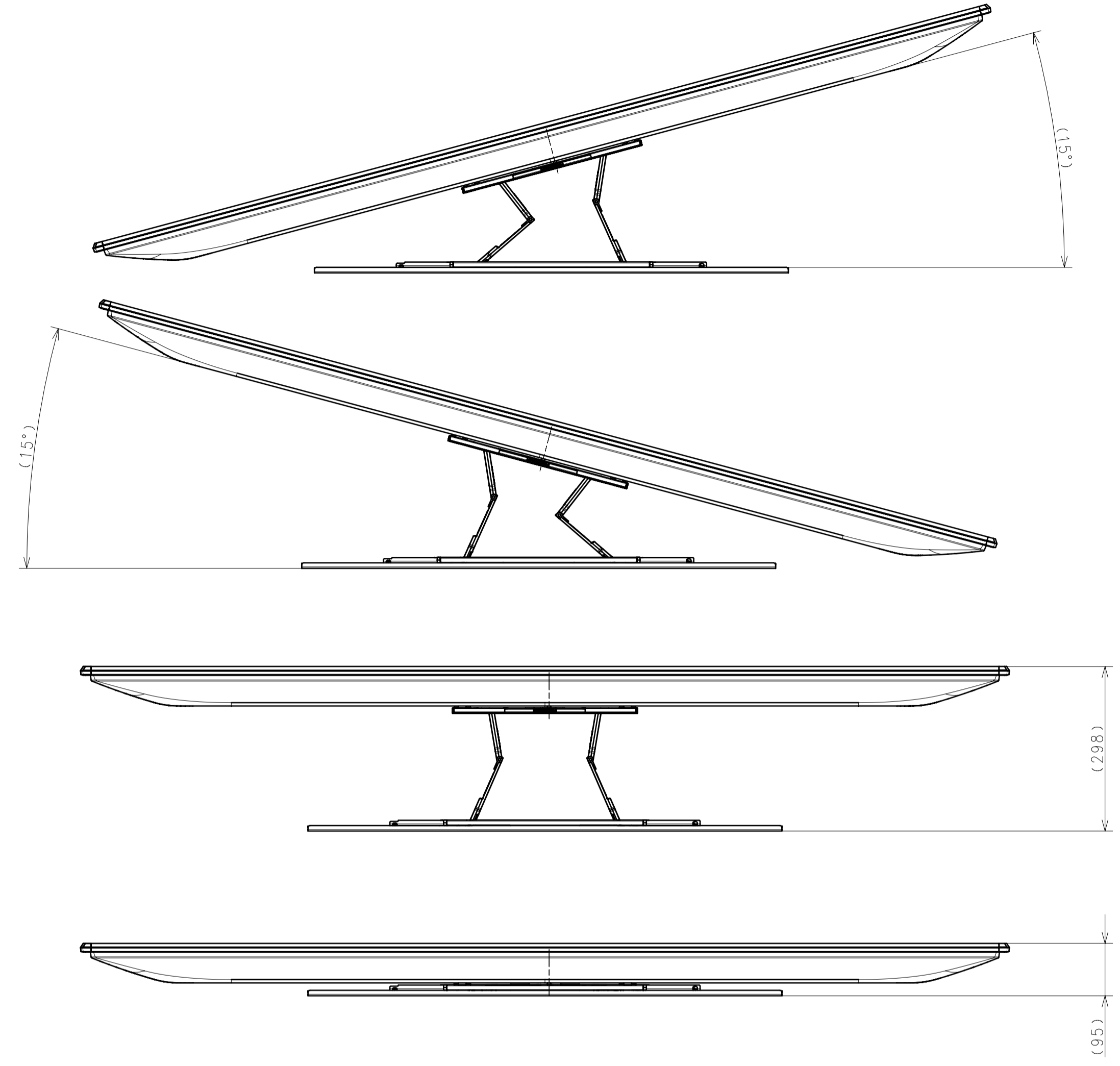
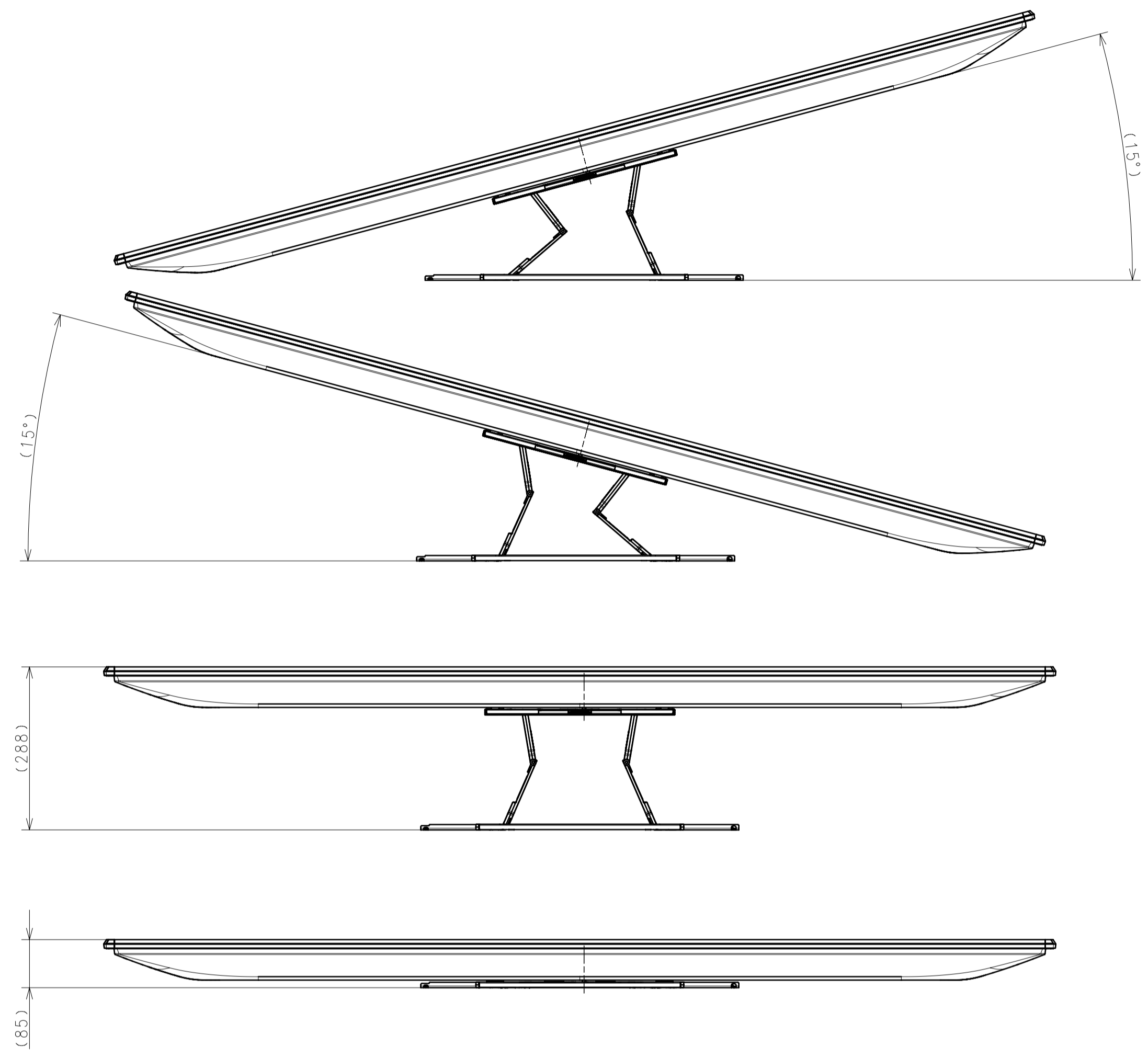
SU-WL450  
Masking Tape Alignment Line

SU-WL450  
Masking Tape Alignment Line

DESCRIPTION 1	LEGAL OWNER	SCALE
75(X80J) EXTERIOR VIEW	Sony Corporation	1:5
DESCRIPTION 2	PART NO.	SHEET/PAGES
75(X80J) EXTERIOR VIEW		3 / 4

SU-WL 850

SU-WL 855 WITH LATERAL SHAFT BRACKET



DESCRIPTION 1	LEGAL OWNER	SCALE
75(X80J) EXTERIOR VIEW	Sony Corporation	1:7
DESCRIPTION 2	PART NO.	SHEET/PAGES
75(X80J) EXTERIOR VIEW		4 / 4