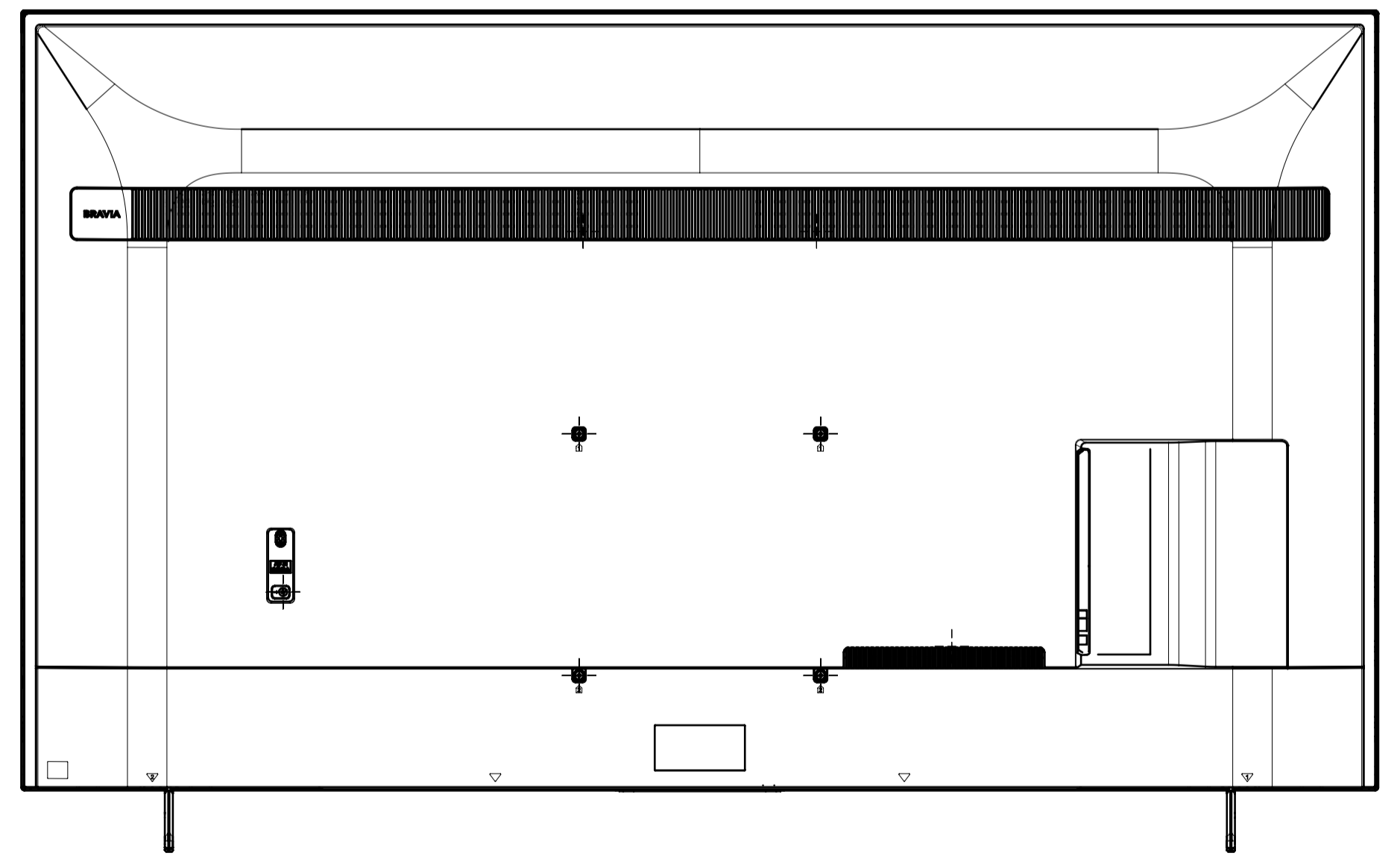
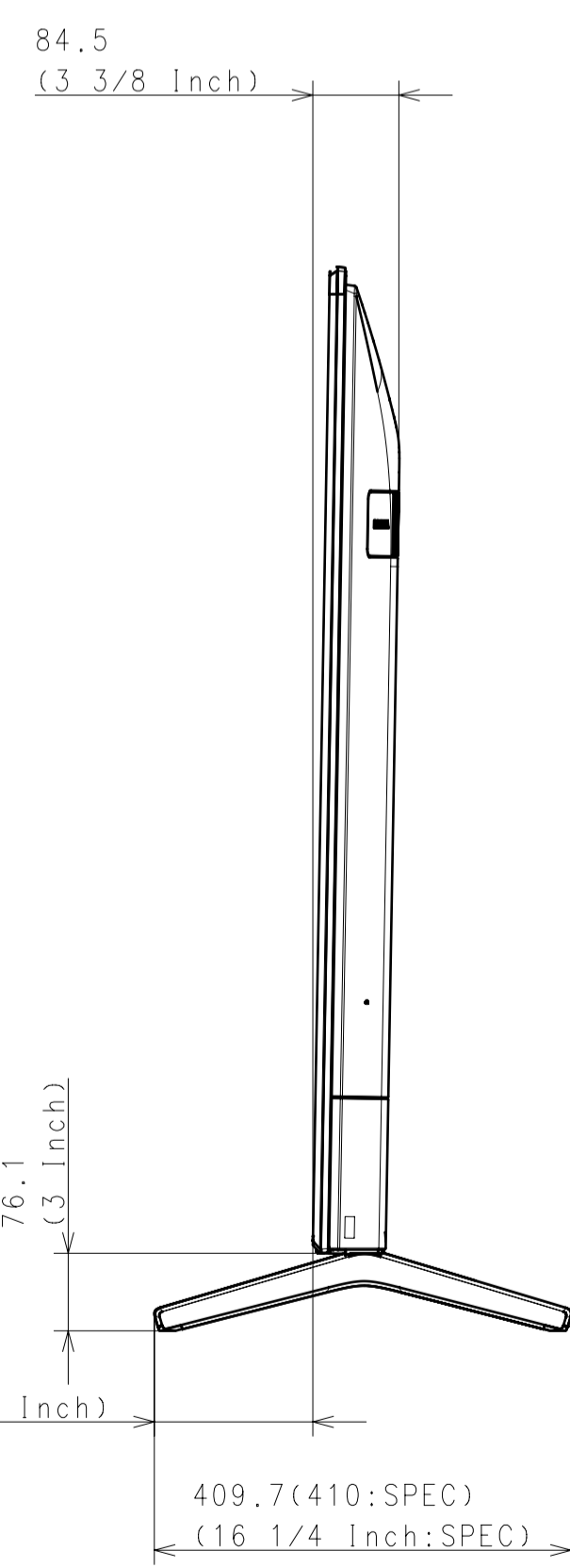
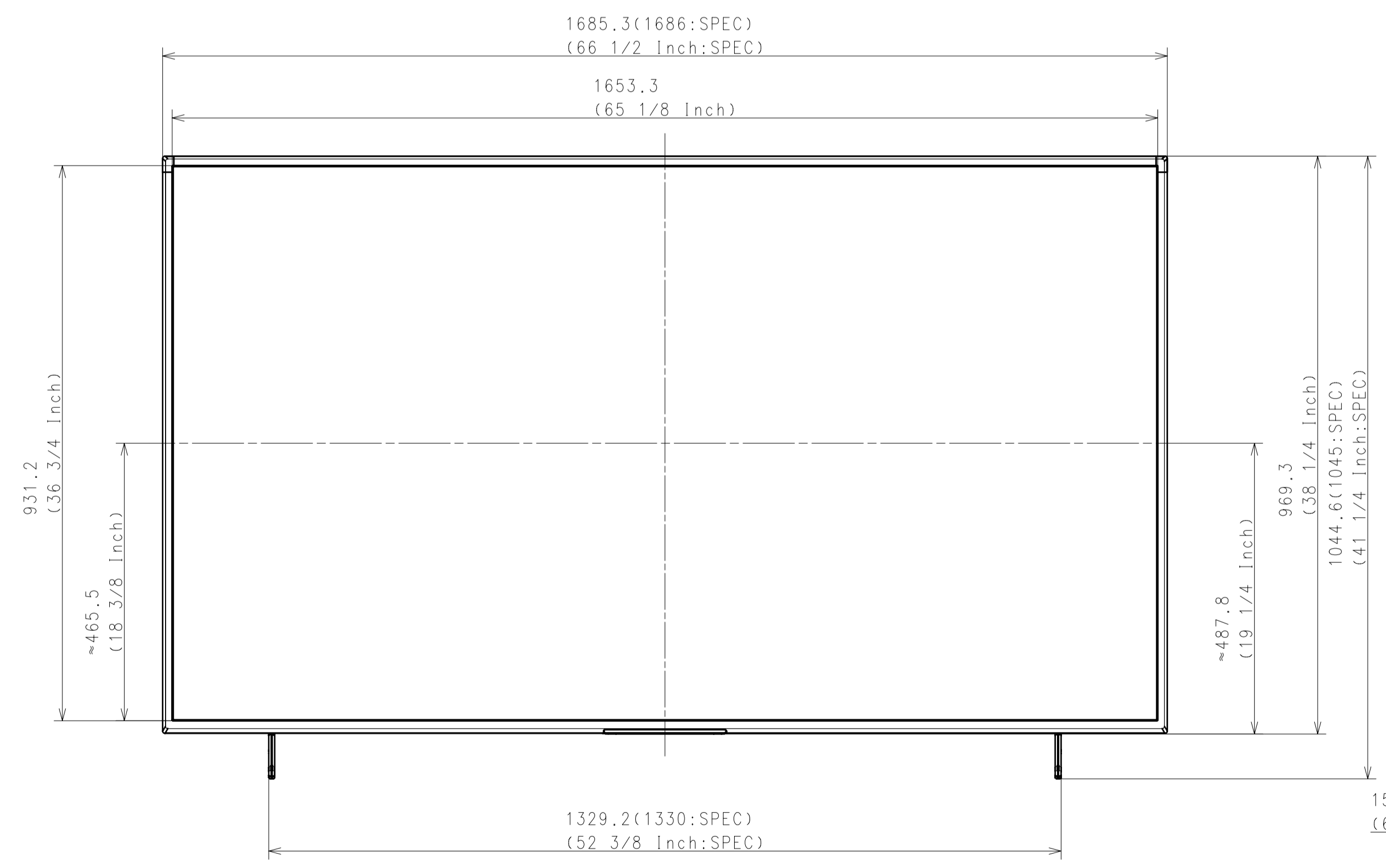
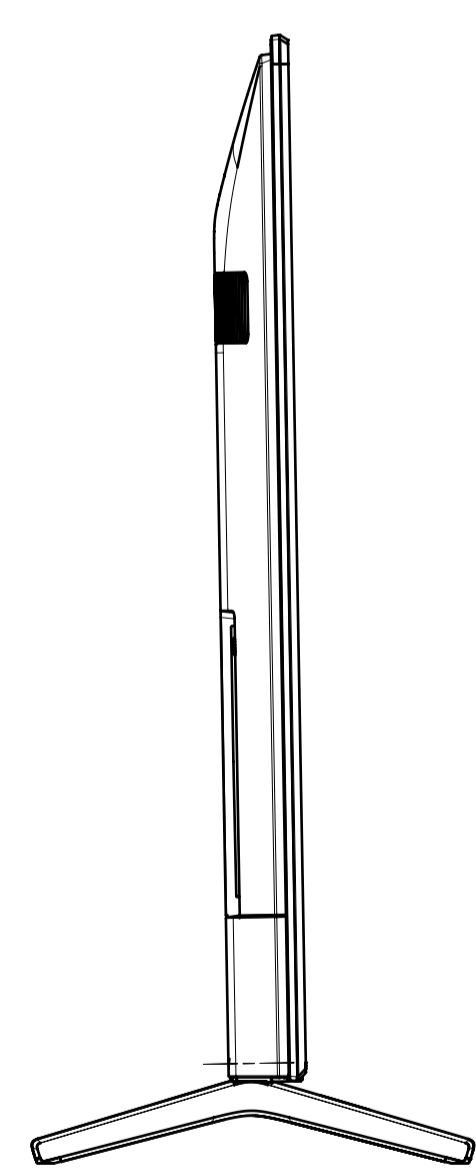
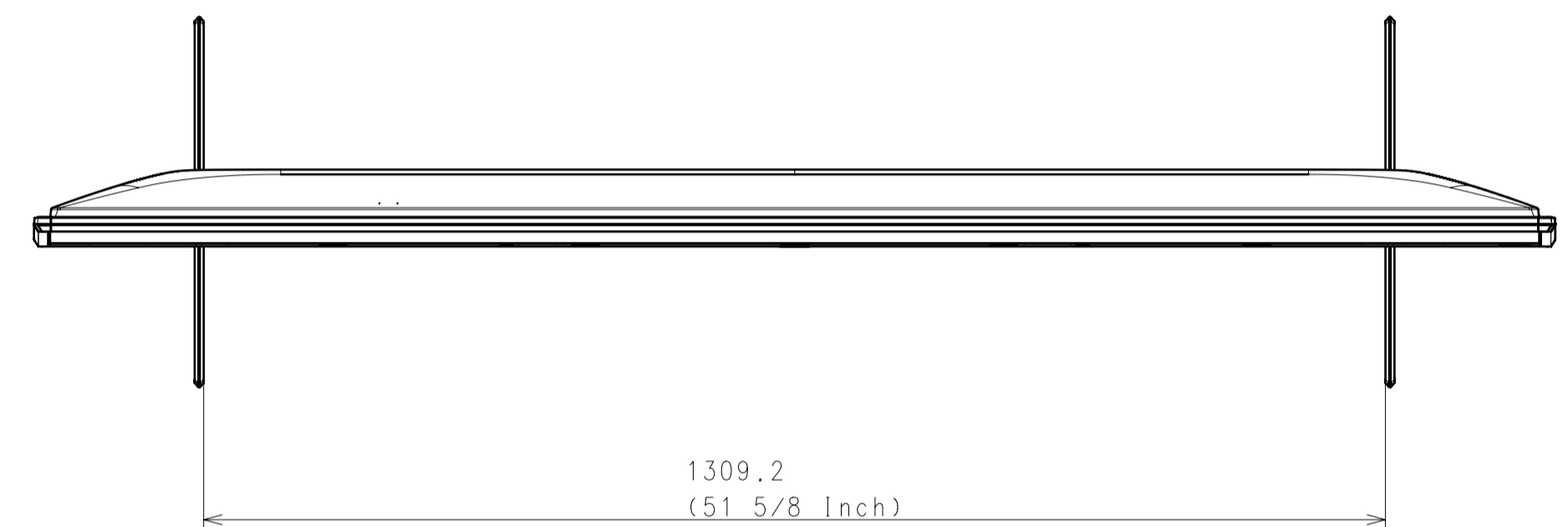


Area		NORTH AMERICA	EUROPE	GENERAL AREA	CHINA
Model Name		FW-75BZ35L	FW-75BZ35L	FW-75BZ35L	FW-75BZ35L
SV No.		SV-41408	SV-41542	SV-41737	SV-41516
DIMENSION	TV only (W x H x D)	1686 x 969 x 72 mm / 66 1/2 x 38 1/4 x 2 7/8 inch	Approx. 168.6 x 96.9 x 7.2 cm	Approx. 1686 x 969 x 72 mm	Approx. 1686 x 969 x 72 mm
	TV only with camera (W x H x D)	-	-	-	-
	TV with Stand (Standard position) (W x H x D)	1686 x 1045 x 410 mm / 66 1/2 x 41 1/4 x 16 1/4 inch	Approx. 168.6 x 104.5 x 41.0 cm	Approx. 1686 x 1045 x 410 mm	Approx. 1686 x 1045 x 410 mm
	TV with Stand (Narrow position) (W x H x D)	-	-	-	-
	TV with Stand (Soundbar position) (W x H x D)	-	-	-	-
	TV with Stand (Front position style) (W x H x D)	-	-	-	-
	TV with Stand (Back position style) (W x H x D)	-	-	-	-
	TV with Floor Stand (W x H x D)	-	-	-	-
	Stand Width (Standard position)	1330 mm / 52 3/8 inch	Approx. 133.0 cm	Approx. 1330 mm	Approx. 1330 mm
	Stand Width (Narrow position)	-	-	-	-
Floor Stand	Stand Width (Soundbar position)	-	-	-	-
	Stand Width (Front position style)	-	-	-	-
	Stand Width (Back position style)	-	-	-	-
	Floor Stand Width	-	-	-	-
	VESA Hole Pitch	300 x 300 mm / 11 7/8 x 11 7/8 inch	30.0 x 30.0 cm	300 x 300 mm	300 x 300 mm
Weight	TV Only	31.5 kg / 69.4 lb	Approx. 31.5 kg	Approx. 31.5 kg	Approx. 31.5 kg
	TV with Stand (Standard position)	32.7 kg / 72.1 lb	Approx. 32.7 kg	Approx. 32.7 kg	Approx. 32.7 kg
	TV with Stand (Narrow position)	-	-	-	-
	TV with Stand (Soundbar position)	-	-	-	-
	TV with Stand (Front/Back position style)	-	-	-	-
Floor Stand weight (Supply)	TV with Floor Stand	-	-	-	-
	Floor Stand weight (Supply)	-	-	-	-
	W-M't Br. Weight (Supply)	-	-	-	-
Remarks		Optional stand	Optional stand		

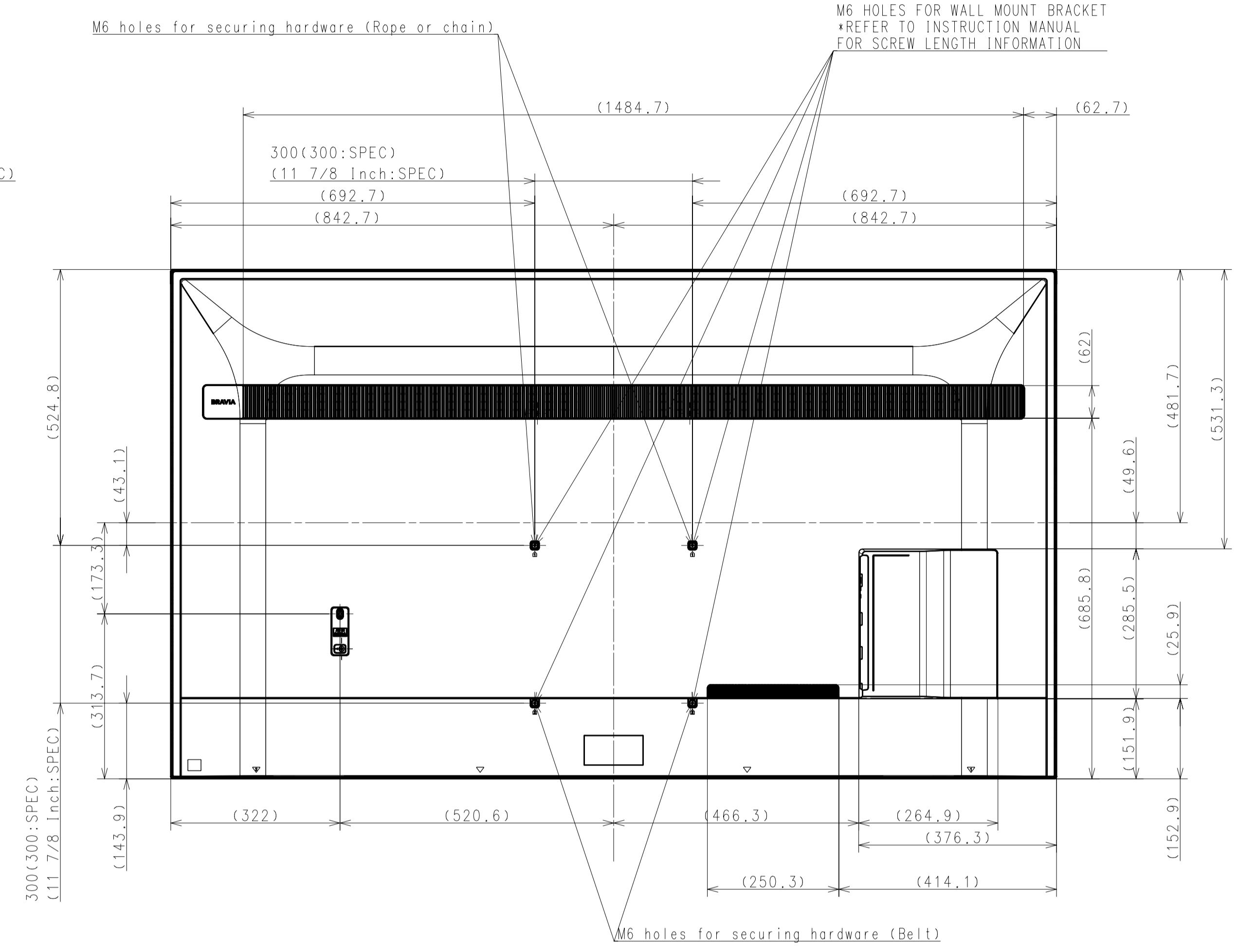
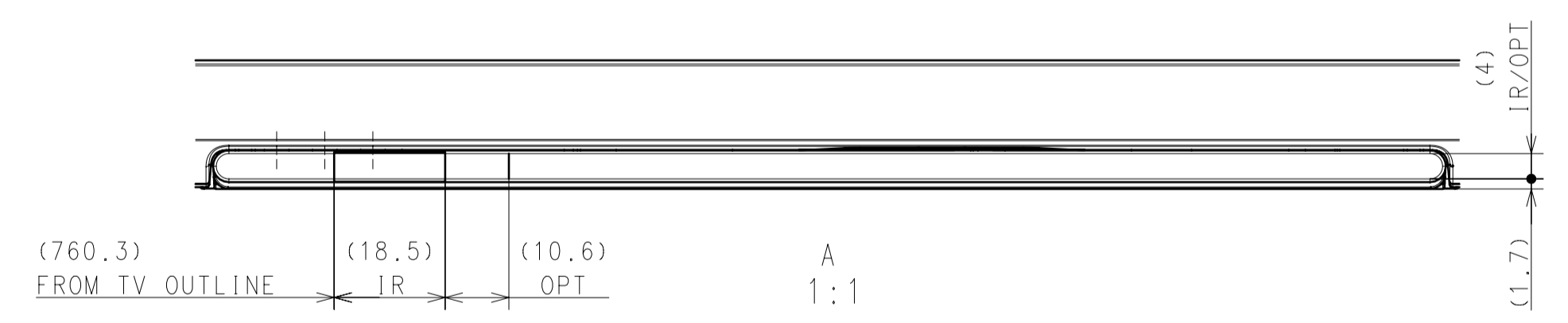
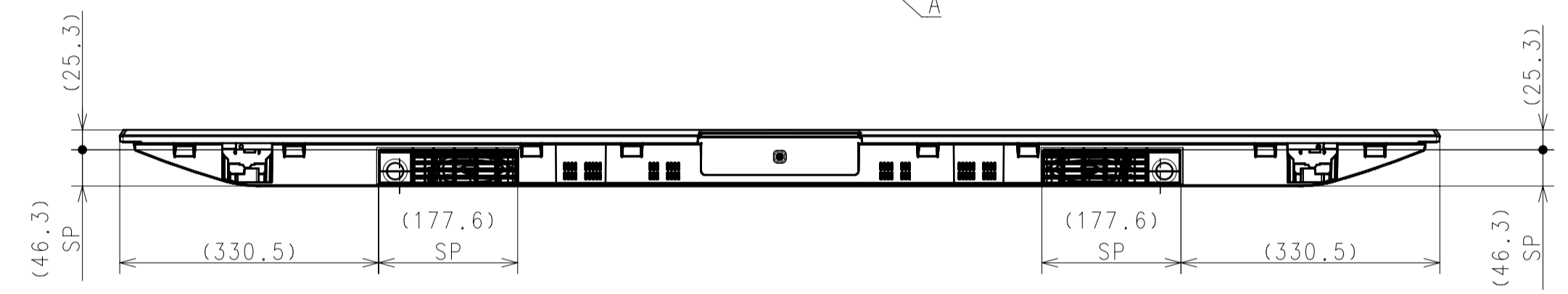
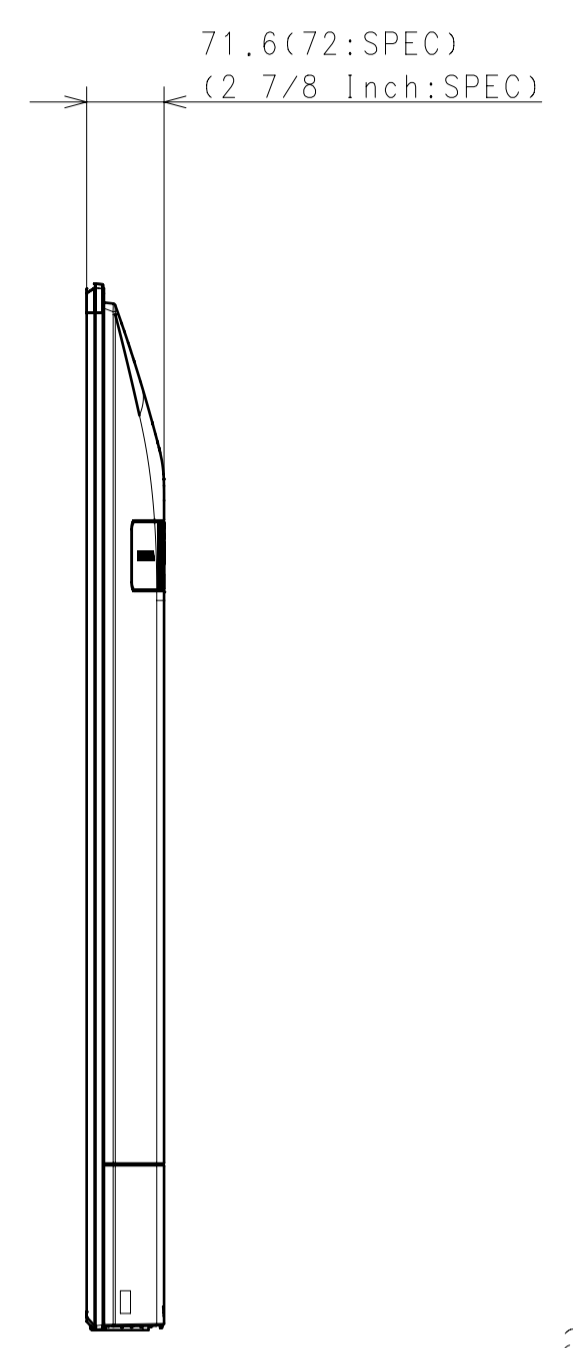
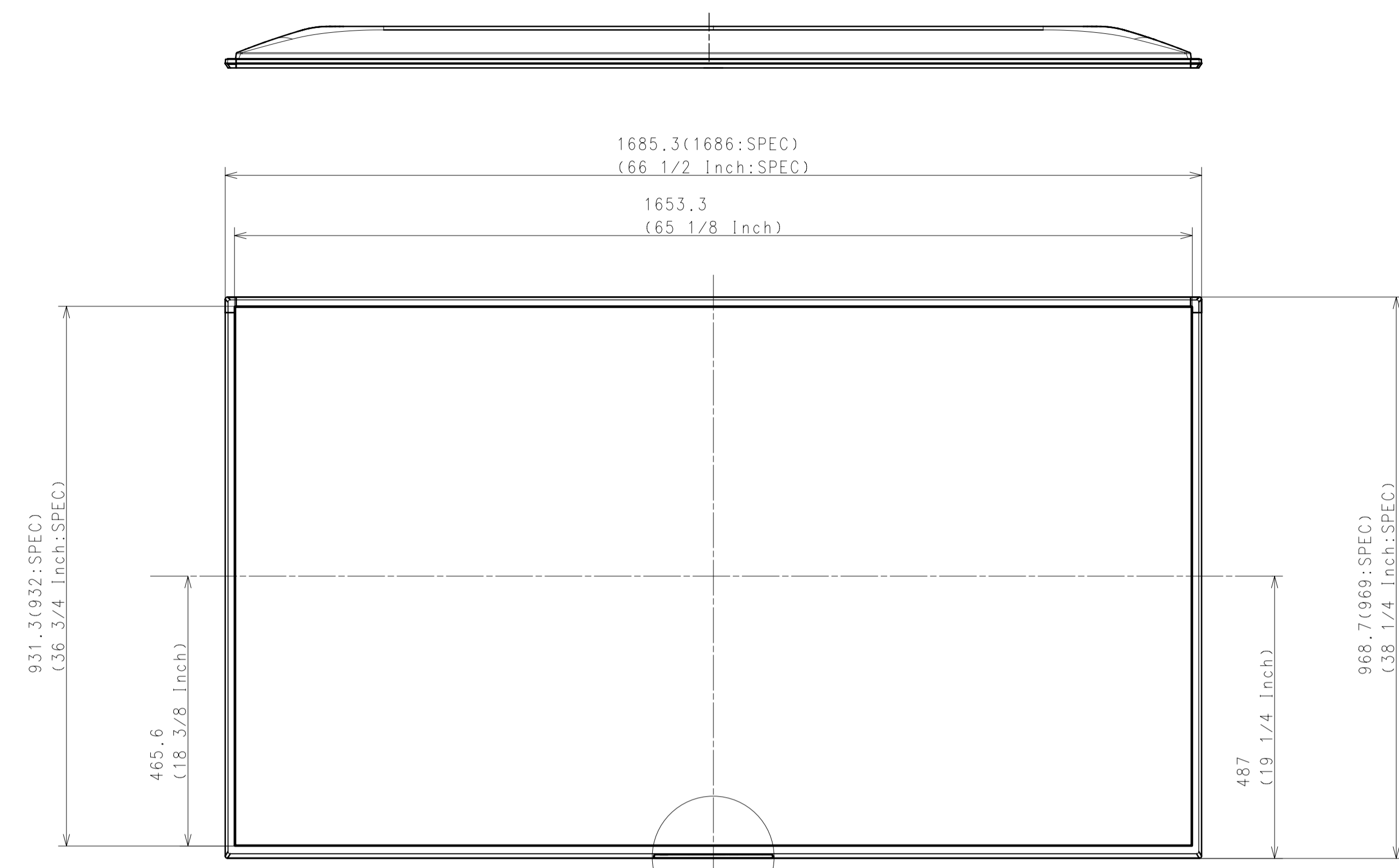
WITH STAND



Purchase recycled resins and wire rods only from the business partners that Sony approves as Green Partners.
再生樹脂・銅線はグリーンパートナーから調達すること。

HISTORY X COUNT SUFFIX AREA NO. REV. DATE LEGAL OWNER Sony Corporation		RELEASE NO. DATE REVISION SIGN.		GENERAL TOLERANCE DATE OF ISSUE 2023.01.11 DOCUMENT TYPE ASSEMBLY DRAWING TOLERANCING DRAWING (JIS & ISO/IEC JIS)	
RESPONSIBLE DEPARTMENT DRAWN BY CHECKED BY APPROVED BY SCALE 1:7 TENTATIVE MODEL ORIGINAL MODEL DESCRIPTIONS 75(BZ35L) EXTERIOR VIEW 75(BZ35L) EXTERIOR VIEW		MATERIAL COLOR FINISH COLOR		SHEET/PAGES 1/4	

WITHOUT STAND

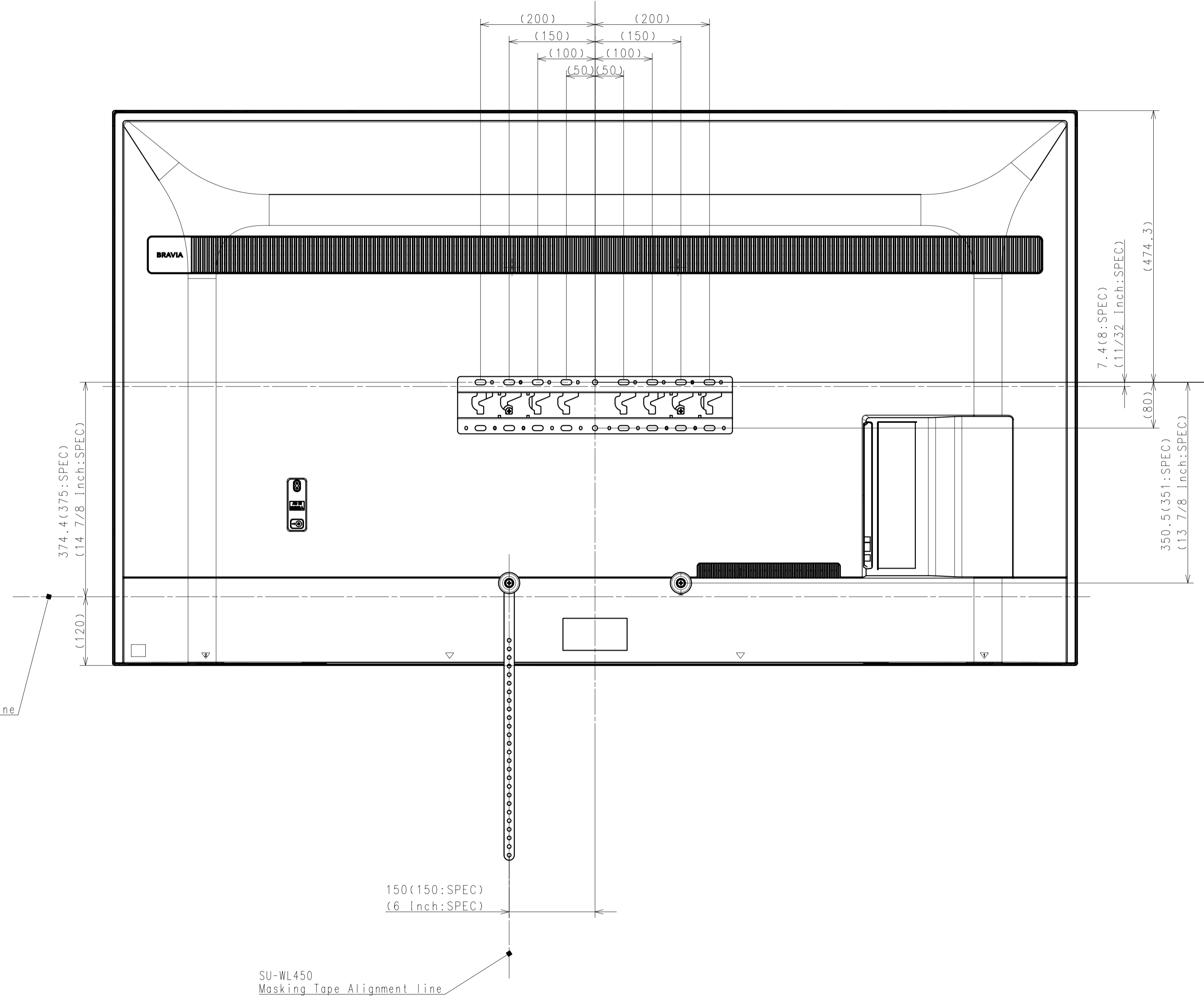


DESCRIPTION: 75(X80J) EXTERIOR VIEW	DATE: 2011.07.14	SCALE: 1:1
DESCRIPTION: 75(X80J) EXTERIOR VIEW	TENTATIVE PART NO.:	SHEET/PAGES: 2 / 4
EQUIVALENT: Sony Corporation		SCALE: 1:1
PART NO.:		SHEET/PAGES: 2 / 4

SU-WL450

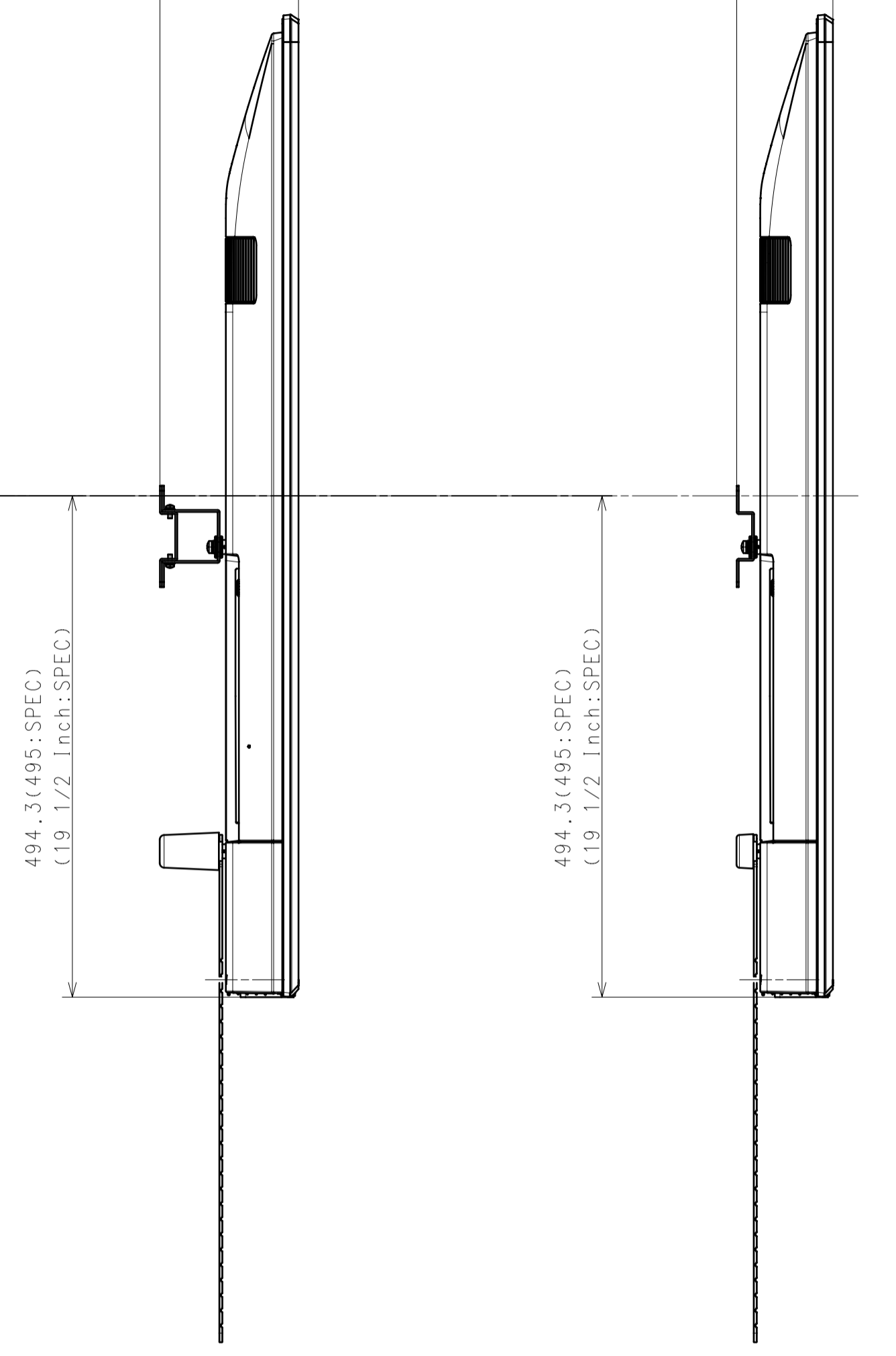
STANDARD

SLIM



136.6 (137:SPEC)
(5 1/2 Inch:SPEC)

94.8 (95:SPEC)
(3 3/4 Inch:SPEC)



SONY STANDARD
DRAWING

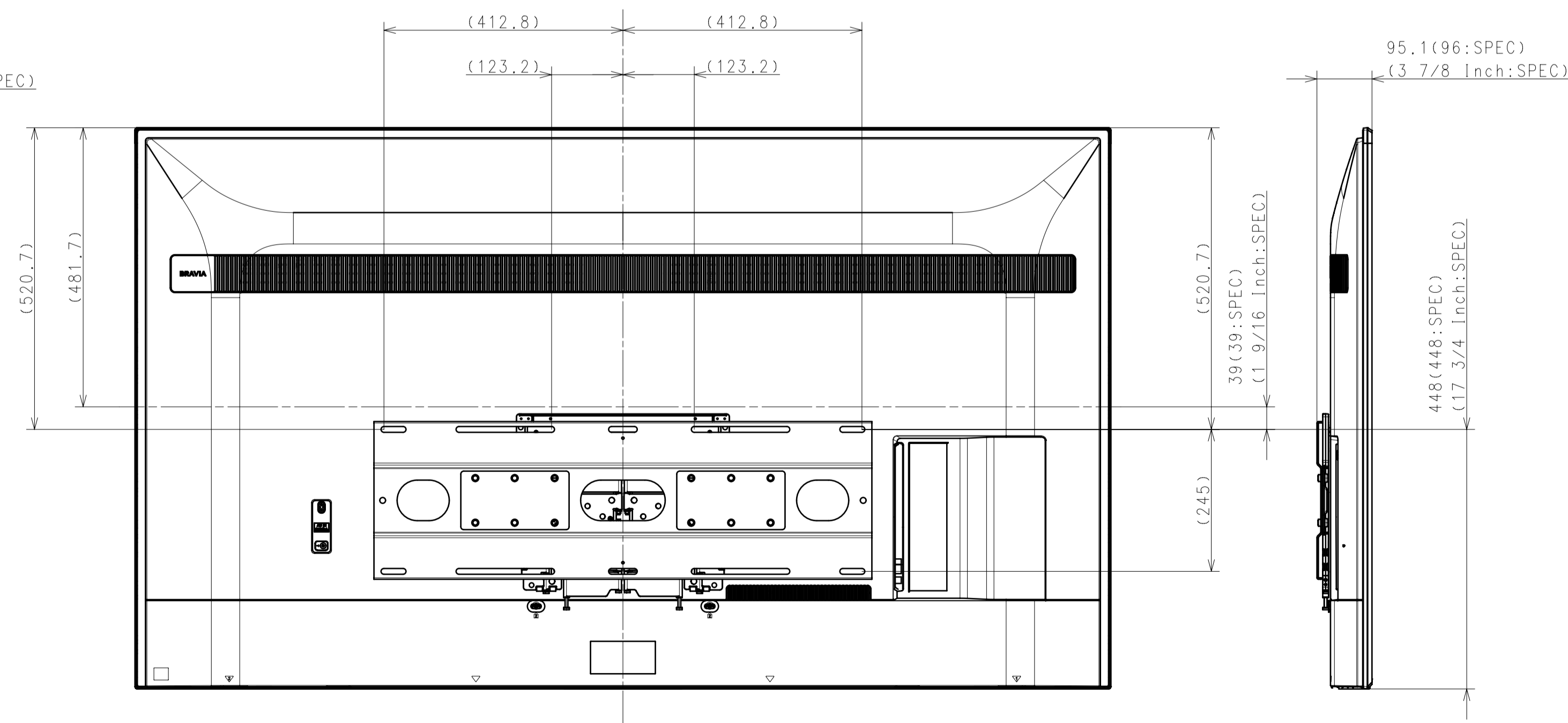
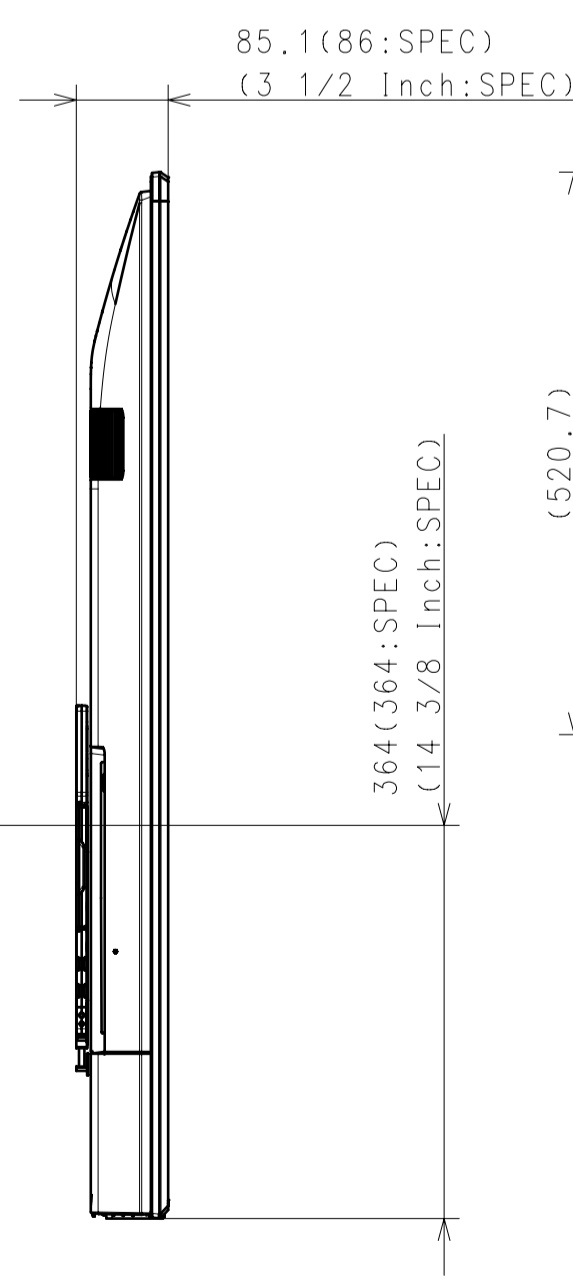
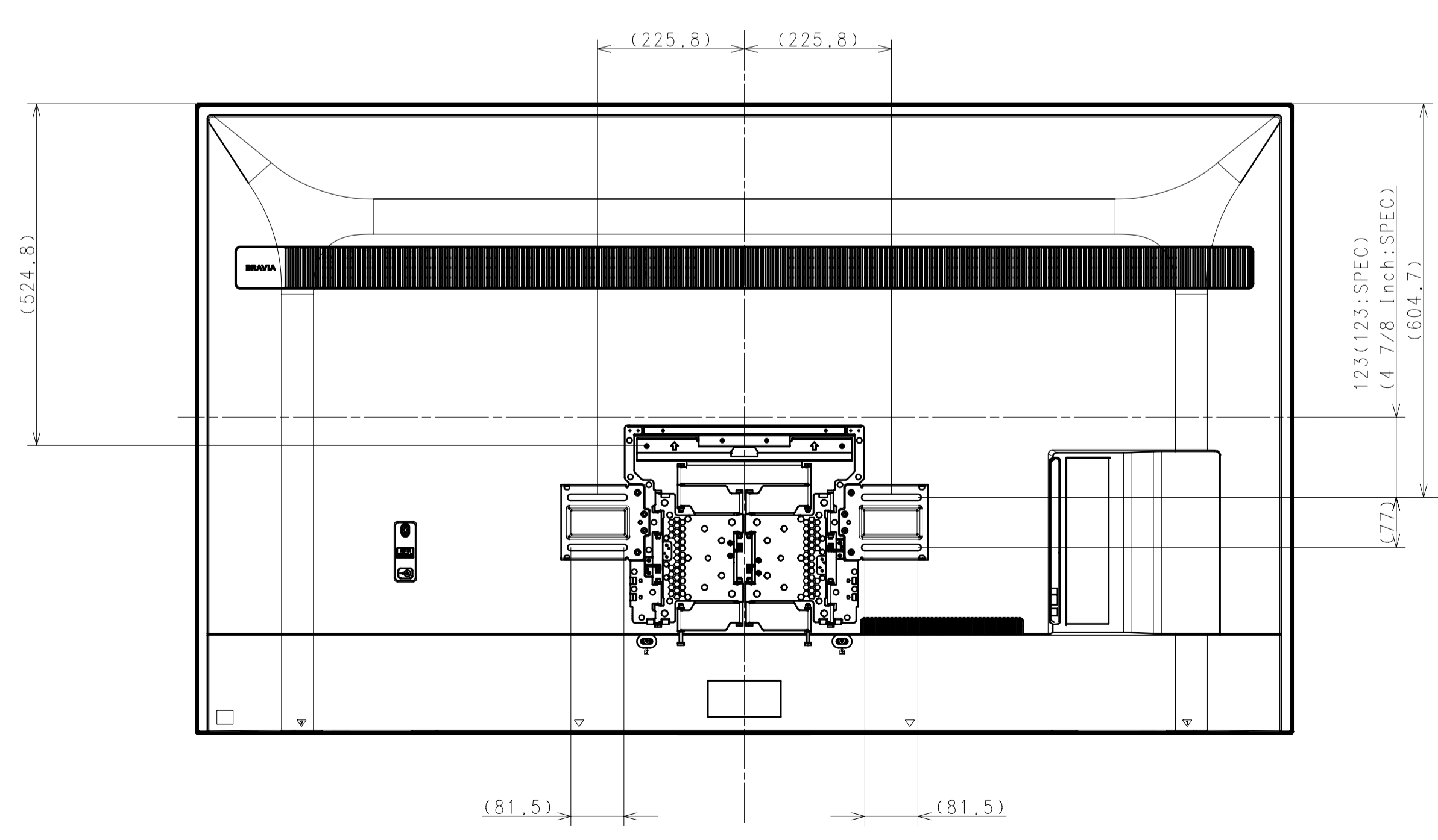
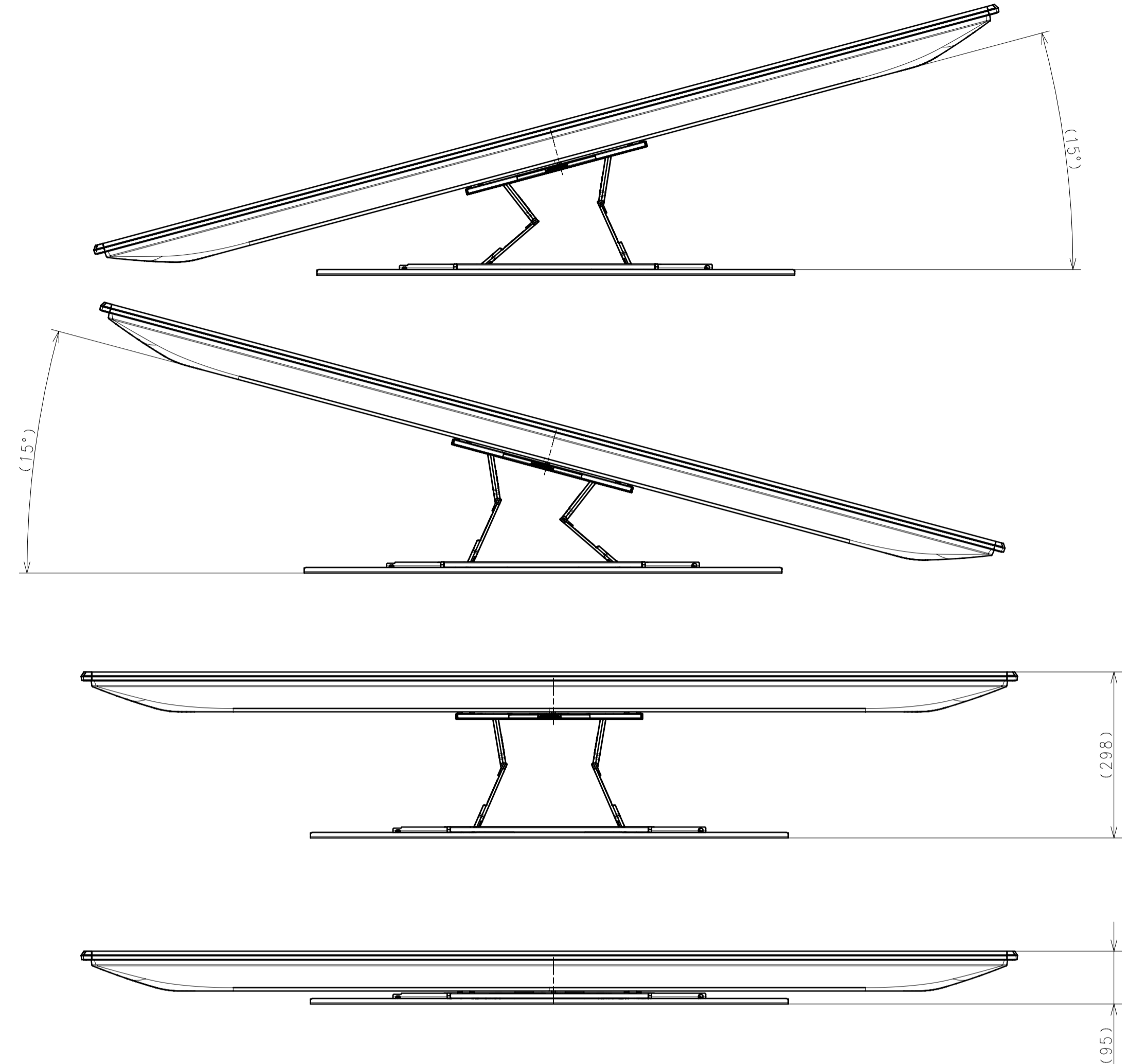
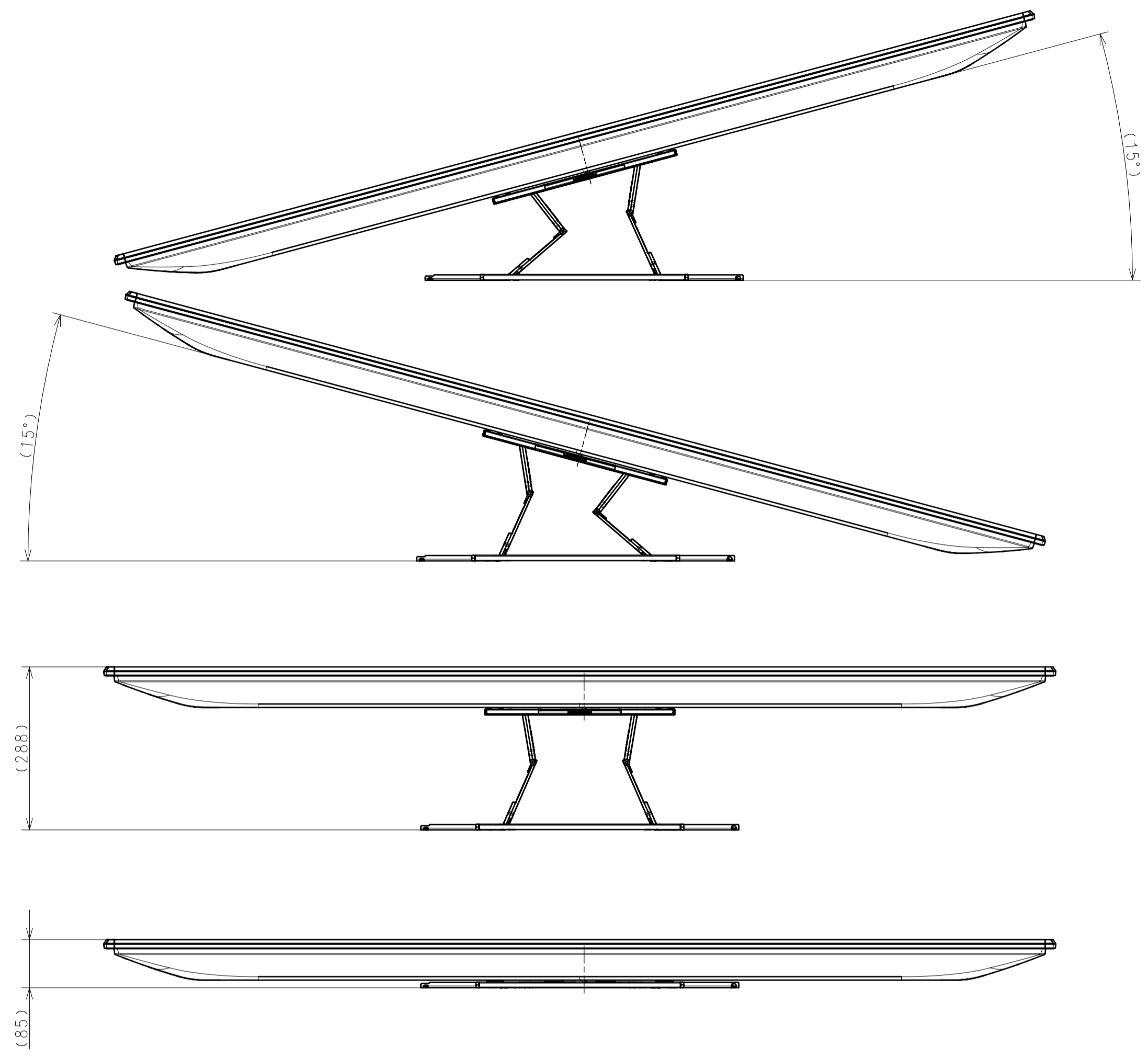
SU-WL450
Masking Tape Alignment Line

SU-WL450
Masking Tape Alignment Line

DESCRIPTION 1	LEGAL OWNER	SCALE
75(X80J) EXTERIOR VIEW	Sony Corporation	1:5
DESCRIPTION 2	PART NO.	SHEET/PAGES
75(X80J) EXTERIOR VIEW		3 / 4

SU-WL 850

SU-WL 855 WITH LATERAL SHAFT BRACKET



DESCRIPTION 1	LEGAL OWNER	SCALE
75(X80J) EXTERIOR VIEW	Sony Corporation	1:7
DESCRIPTION 2	PART NO.	SHEET/PAGES
75(X80J) EXTERIOR VIEW		4 / 4