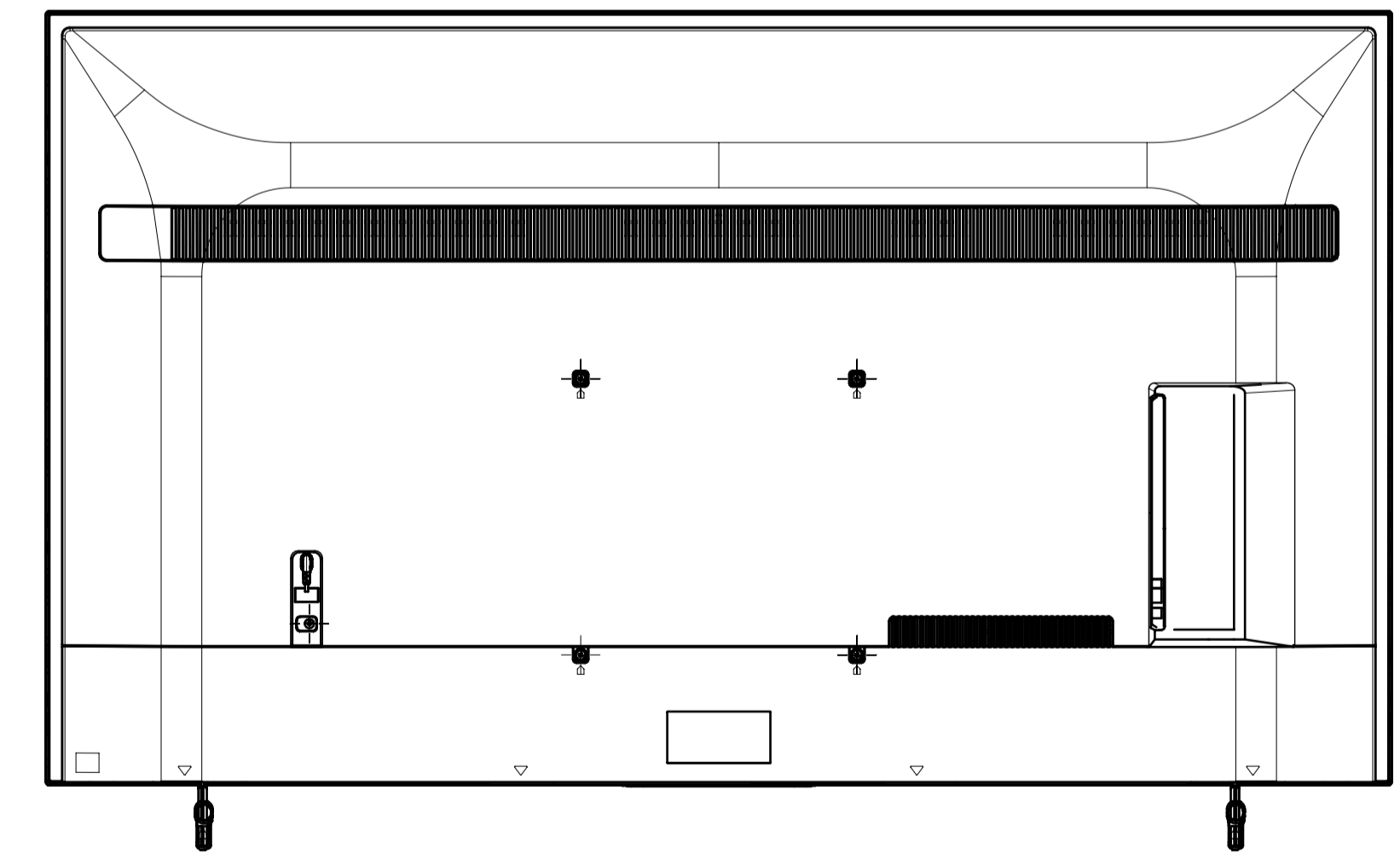
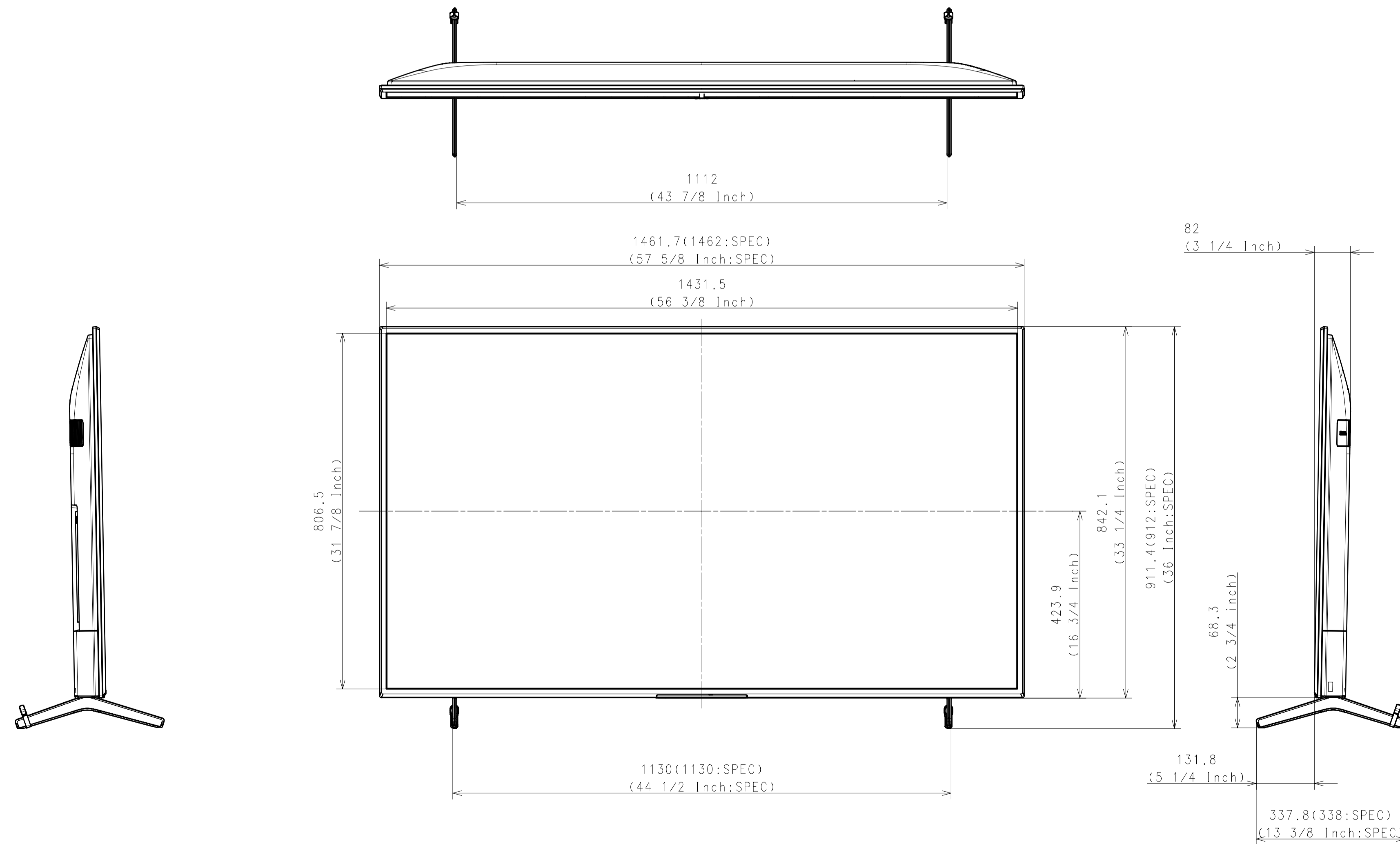


Area	JAPAN	NORTH AMERICA	EUROPE	GENERAL AREA	CHINA	
Model Name	FW-65BZ35L	FW-65BZ35L	FW-65BZ35L	FW-65BZ35L	FW-65BZ35L	
SV No.	SV-41739	SV-41409	SV-41543	SV-41738	SV-41517	
DIMENSION	TV only (W x H x D)	146.2 x 84.2 x 7.1 cm	1462 x 842 x 71 mm / 57 5/8 x 33 1/4 x 2 7/8 inch	Approx. 146.2 x 84.2 x 7.1 cm	Approx. 1462 x 842 x 71 mm	Approx. 1462 x 842 x 71 mm
	TV only with camera (W x H x D)	-	-	-	-	-
	TV with Stand (Standard position) (W x H x D)	146.2 x 91.2 x 33.8 cm	1462 x 912 x 338 mm / 57 5/8 x 36 x 13 3/8 inch	Approx. 146.2 x 91.2 x 33.8 cm	Approx. 1462 x 912 x 338 mm	Approx. 1462 x 912 x 338 mm
	TV with Stand (Narrow position) (W x H x D)	-	-	-	-	-
	TV with Stand (Soundbar position) (W x H x D)	-	-	-	-	-
	TV with Stand (Front position style) (W x H x D)	-	-	-	-	-
	TV with Stand (Back position style) (W x H x D)	-	-	-	-	-
	TV with Floor Stand (W x H x D)	-	-	-	-	-
	Stand Width (Standard position)	113.0 cm	1130 mm / 44 1/2 inch	Approx. 113.0 cm	Approx. 1130 mm	Approx. 1130 mm
	Stand Width (Narrow position)	-	-	-	-	-
Weight	Stand Width (Soundbar position)	-	-	-	-	-
	Stand Width (Front position style)	-	-	-	-	-
	Stand Width (Back position style)	-	-	-	-	-
	Floor Stand Width	-	-	-	-	-
	VESA Hole Pitch	30.0 x 30.0 cm	300 x 300 mm / 11 7/8 x 11 7/8 inch	30.0 x 30.0 cm	300 x 300 mm	300 x 300 mm
	TV Only	21.2 kg	21.2 kg / 46.7 lb	Approx. 21.2 kg	Approx. 21.2 kg	Approx. 21.2 kg
	TV with Stand (Standard position)	22.1 kg	22.1 kg / 48.7 lb	Approx. 22.1 kg	Approx. 22.1 kg	Approx. 22.1 kg
	TV with Stand (Narrow position)	-	-	-	-	-
	TV with Stand (Soundbar position)	-	-	-	-	-
	TV with Stand (Front/Back position style)	-	-	-	-	-
TV with Floor Stand	-	-	-	-	-	
Floor Stand weight (Supply)	-	-	-	-	-	
W-M't Br. Weight (Supply)	-	-	-	-	-	
Remarks			Optional stand	Optional stand		

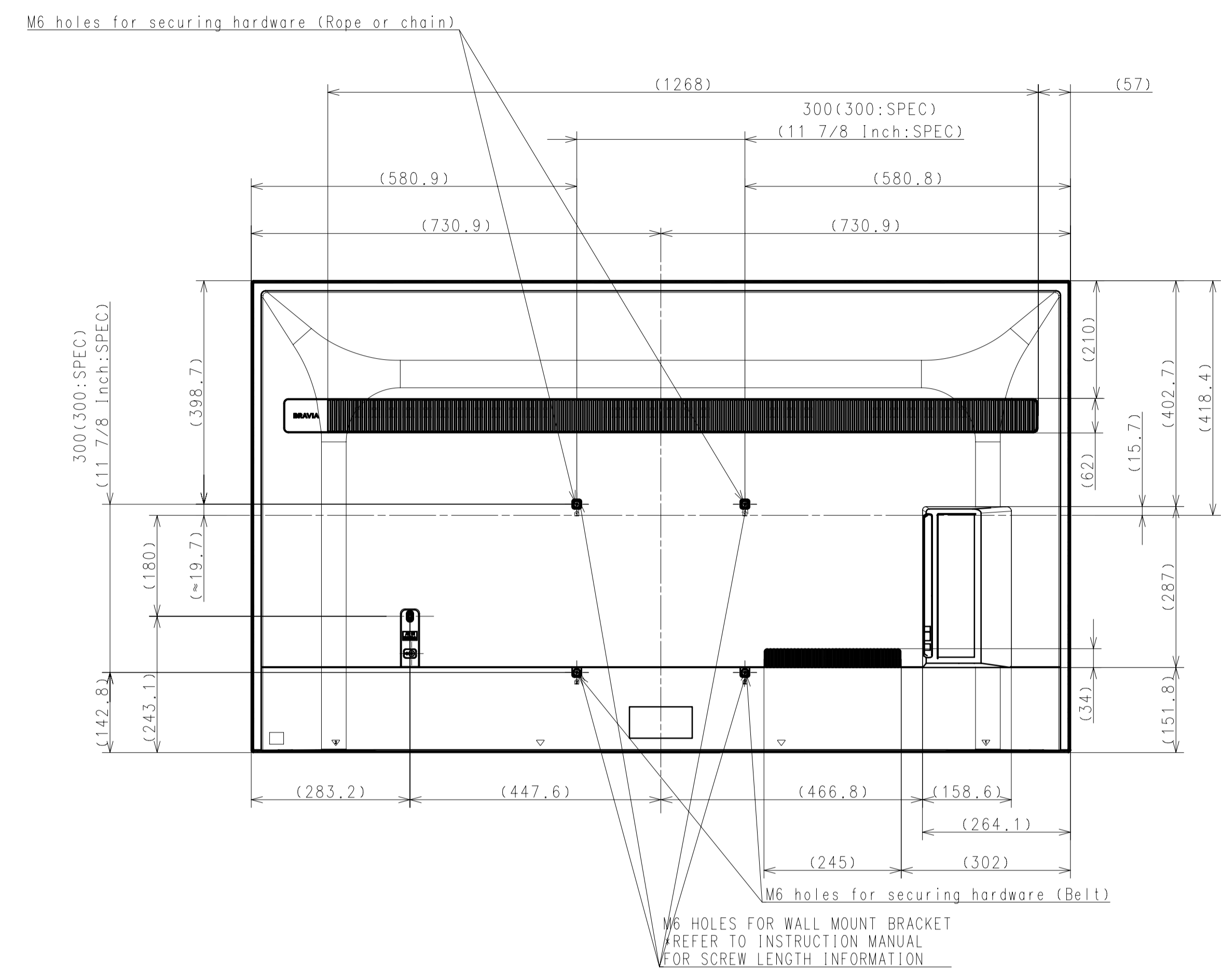
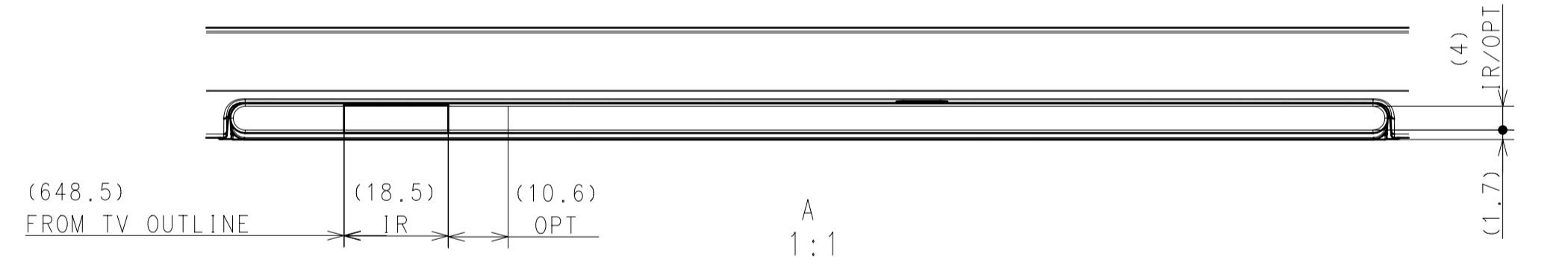
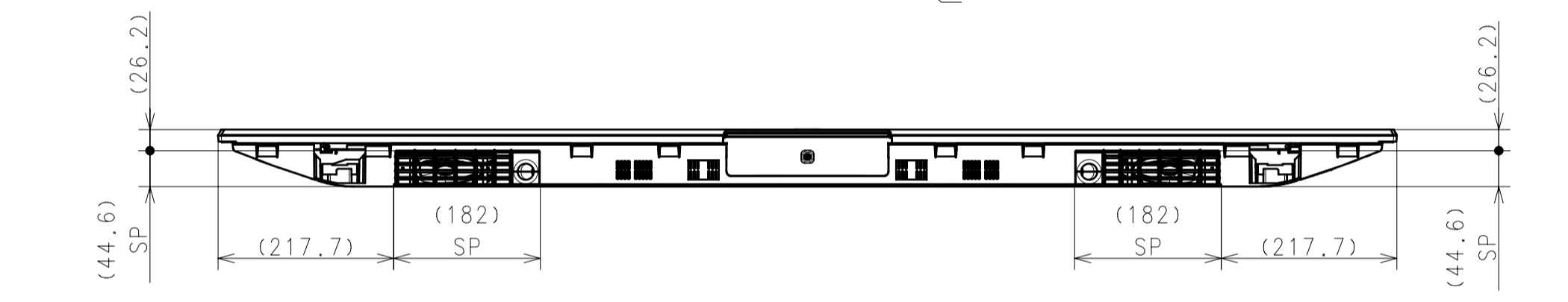
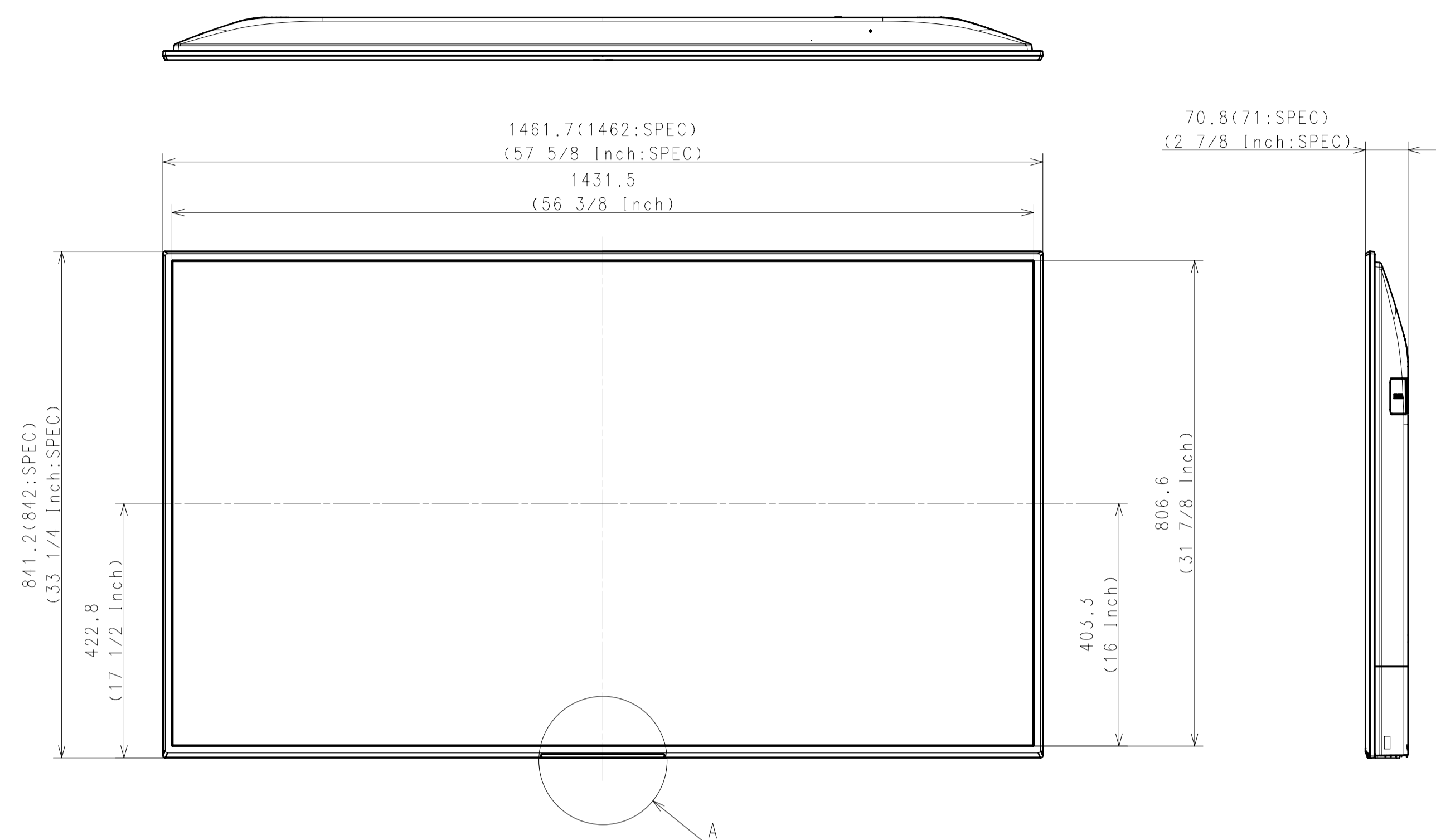
WITH STAND



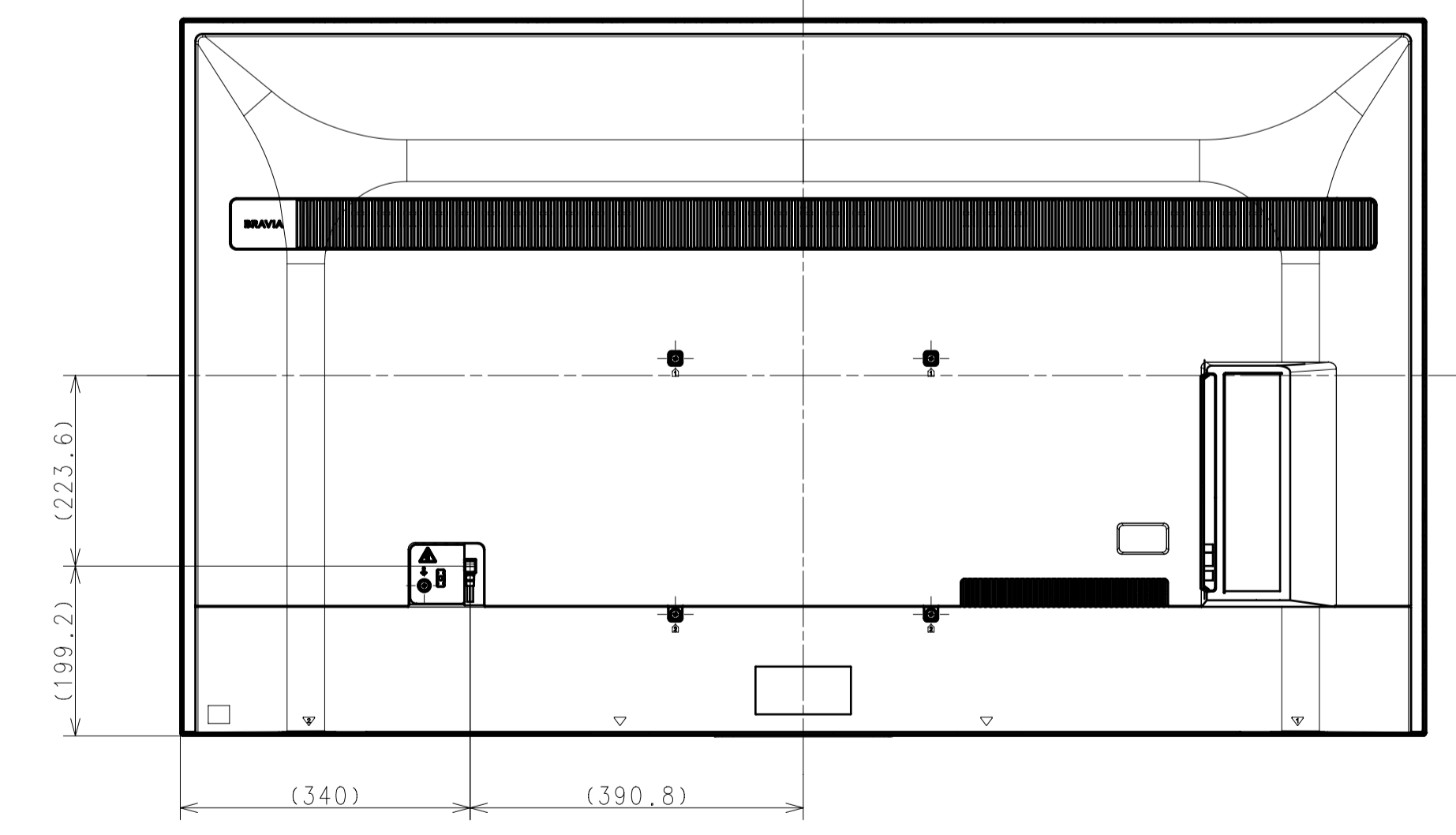
Purchase recycled resins and wire rods only from the business partners that Sony approves as Green Partners.
 再生樹脂・銅線棒のみをソニーが承認するグリーンパートナーから購入してください。

DATE OF ISSUE	DOCUMENT TYPE	TOLERANCE	DRAWING
2020.09.23	ASSEMBLY		
MATERIAL COLOR		FINISH COLOR	
RESPONSIBLE DEPARTMENT: PANEL & MECHANICAL DESIGN ORIGINAL MODEL: 65(BZ35L) EXTERIOR VIEW TENTATIVE MODEL: 65(BZ35L) EXTERIOR VIEW SCALE: 1:7 SIZE: A1 UNIT: mm SHEET/PAGES: 1/4			

WITHOUT STAND



For. NORTH AMERICA, GENERAL AREA, CHINA, EUROPE

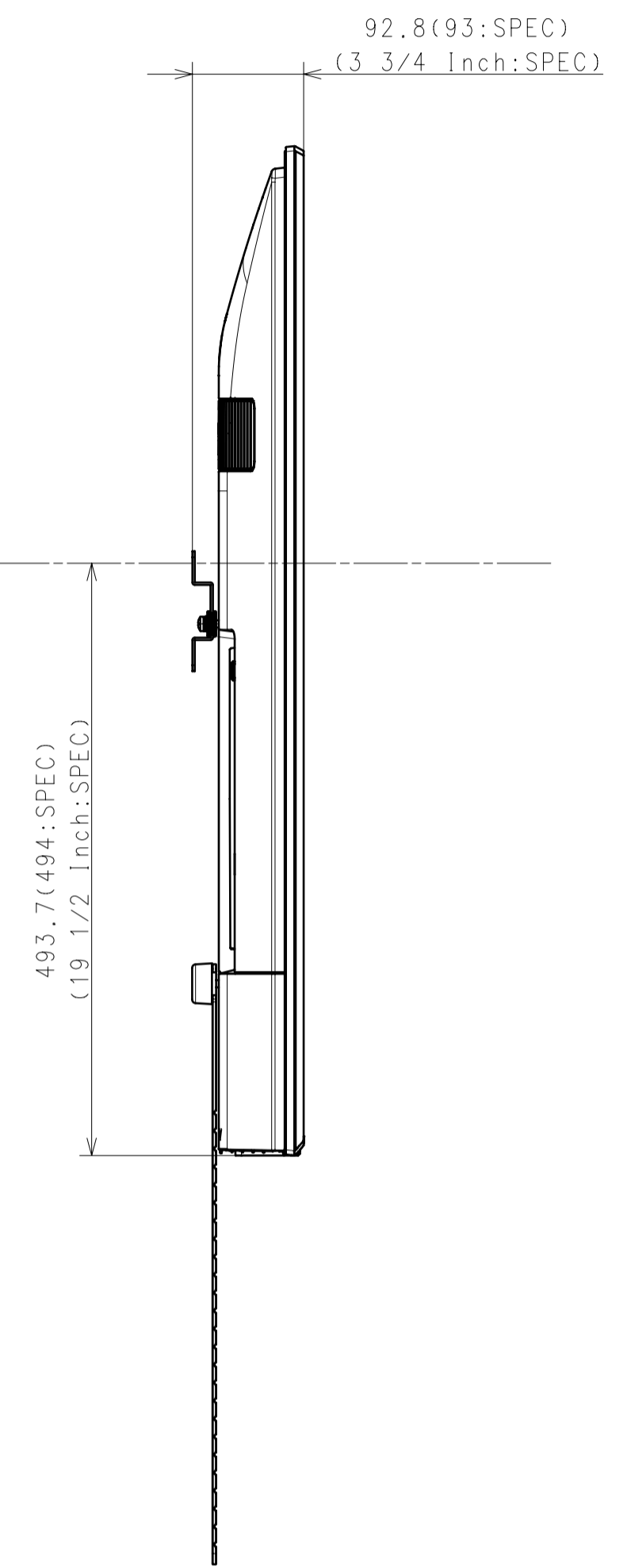
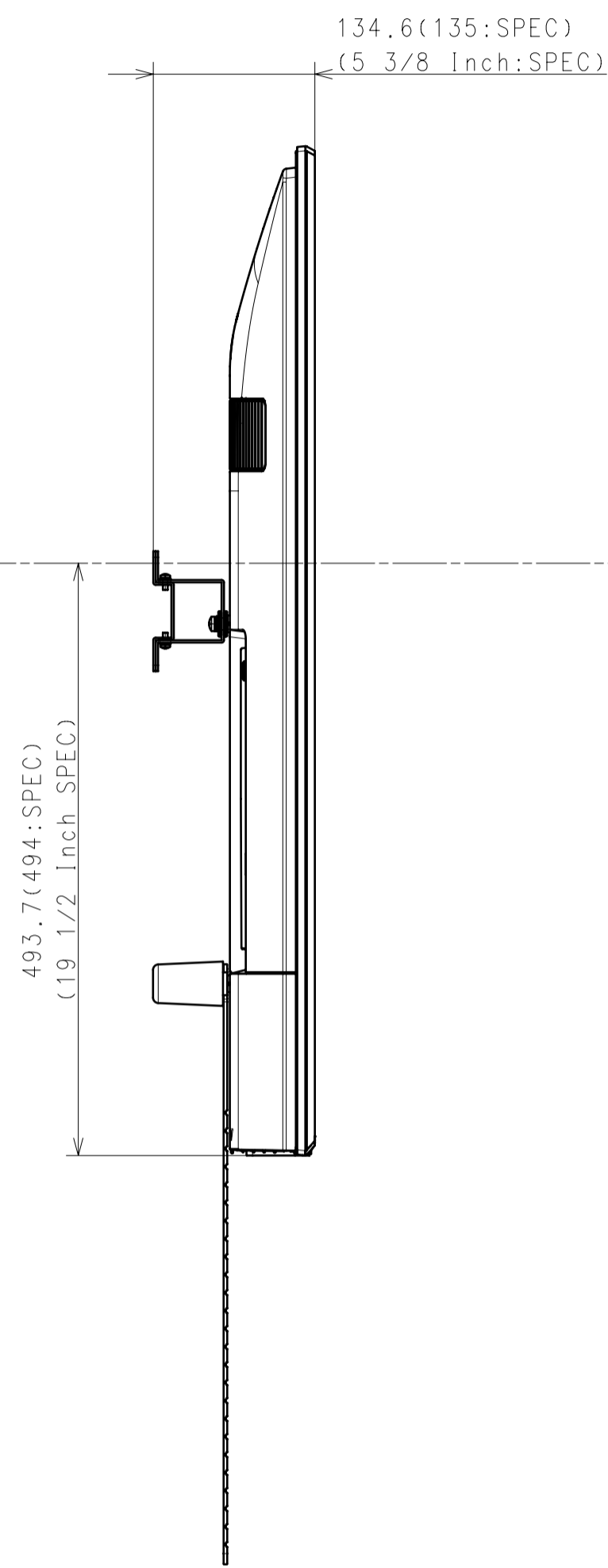
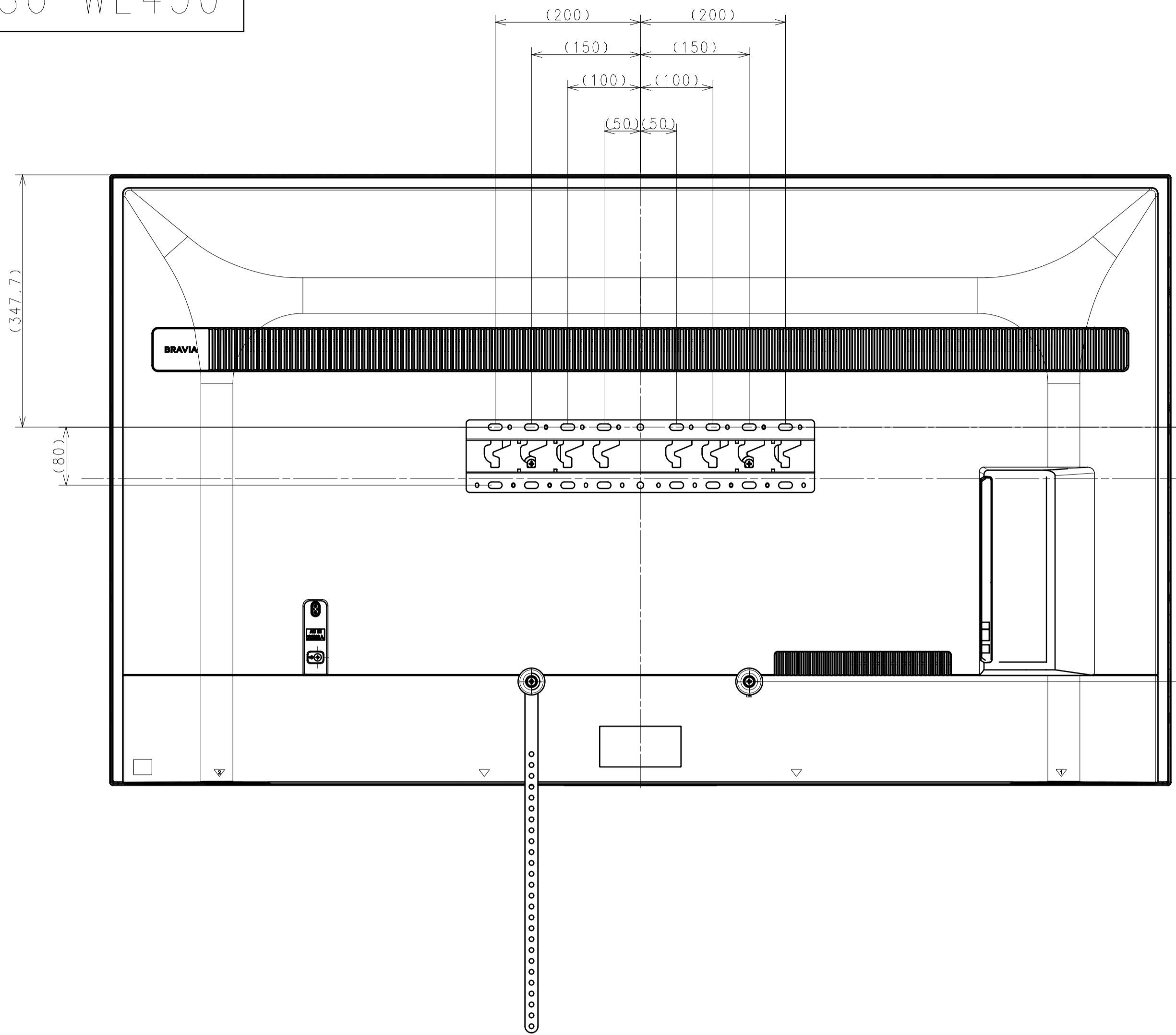


For. JAPAN

SU-WL450

STANDARD

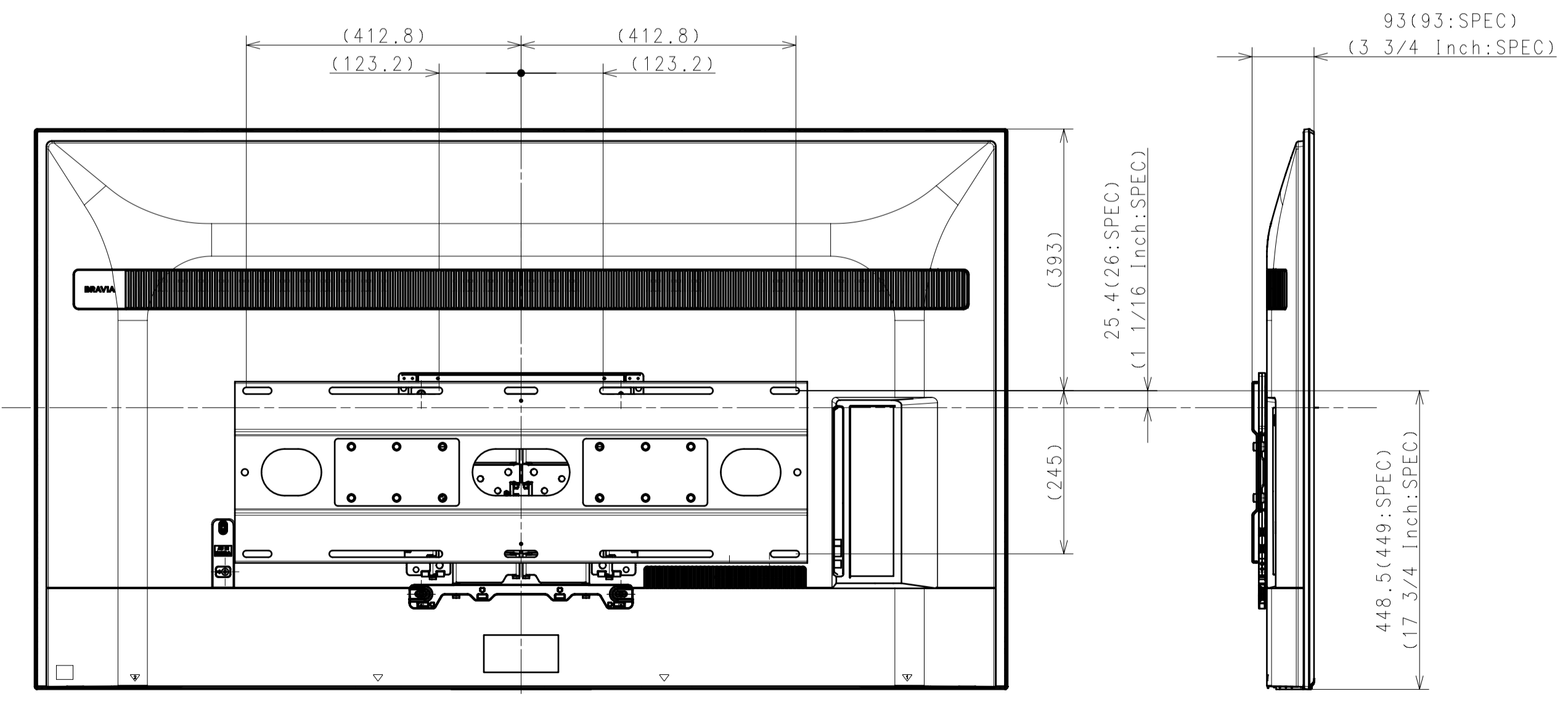
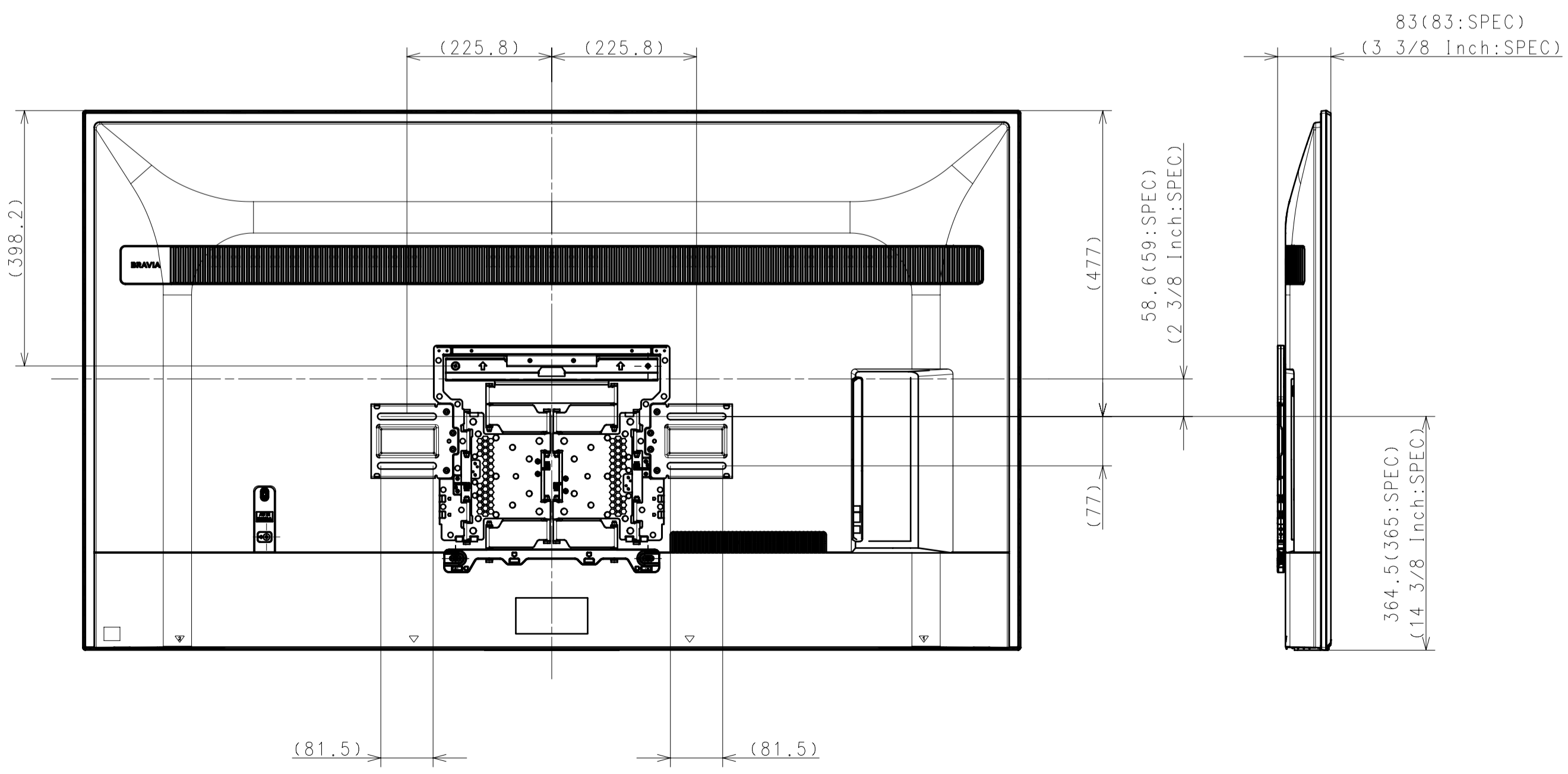
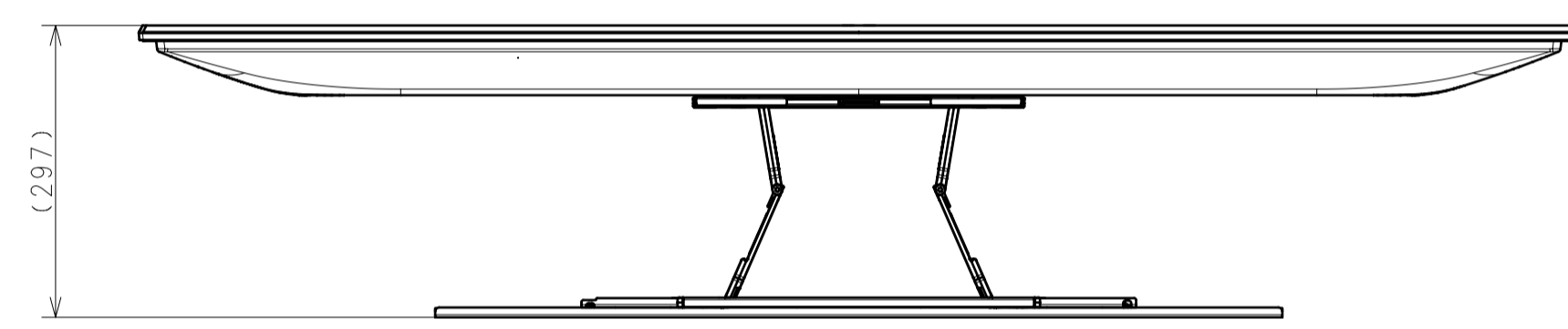
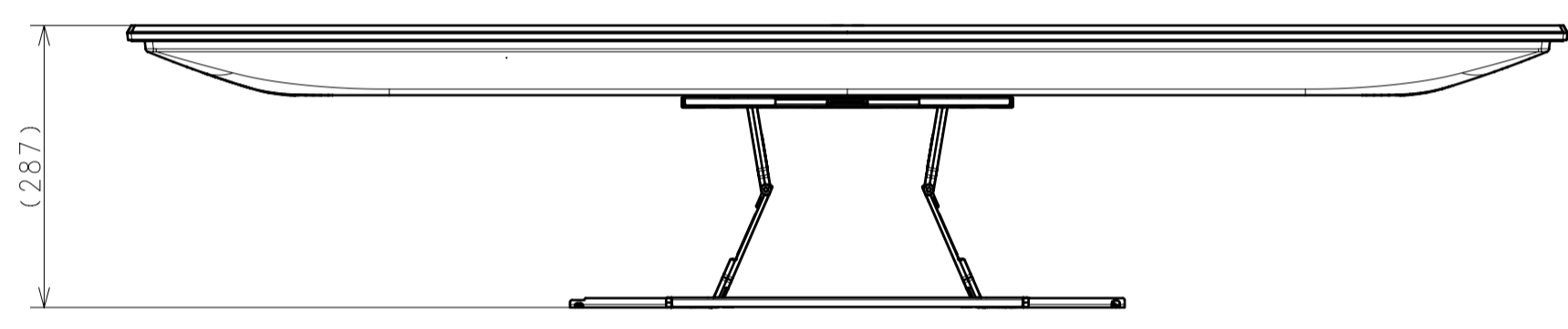
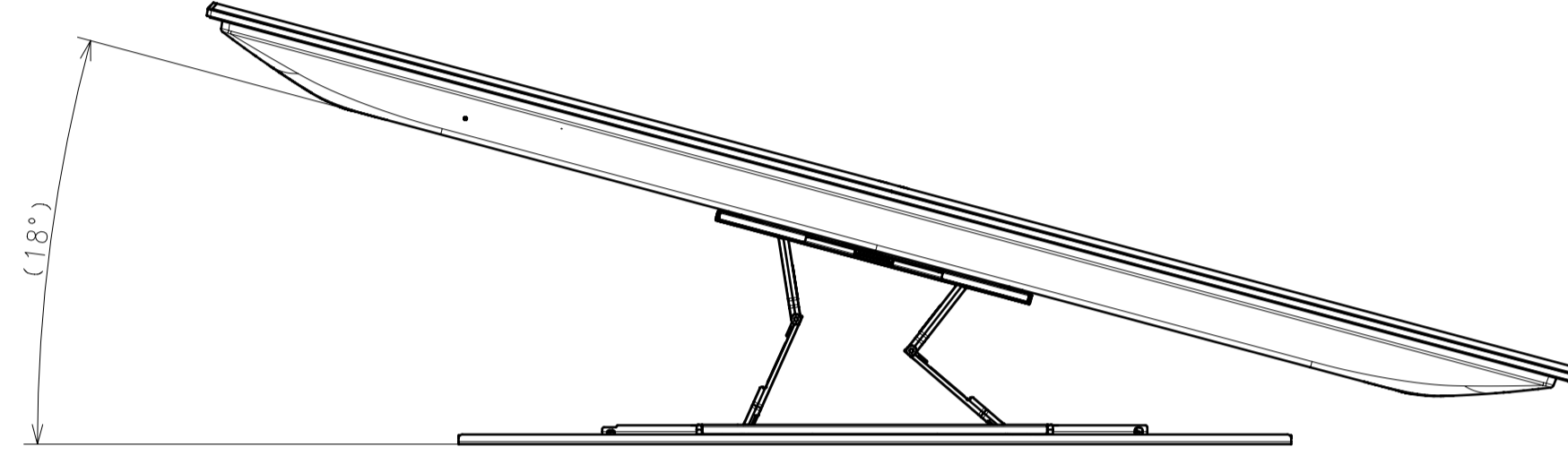
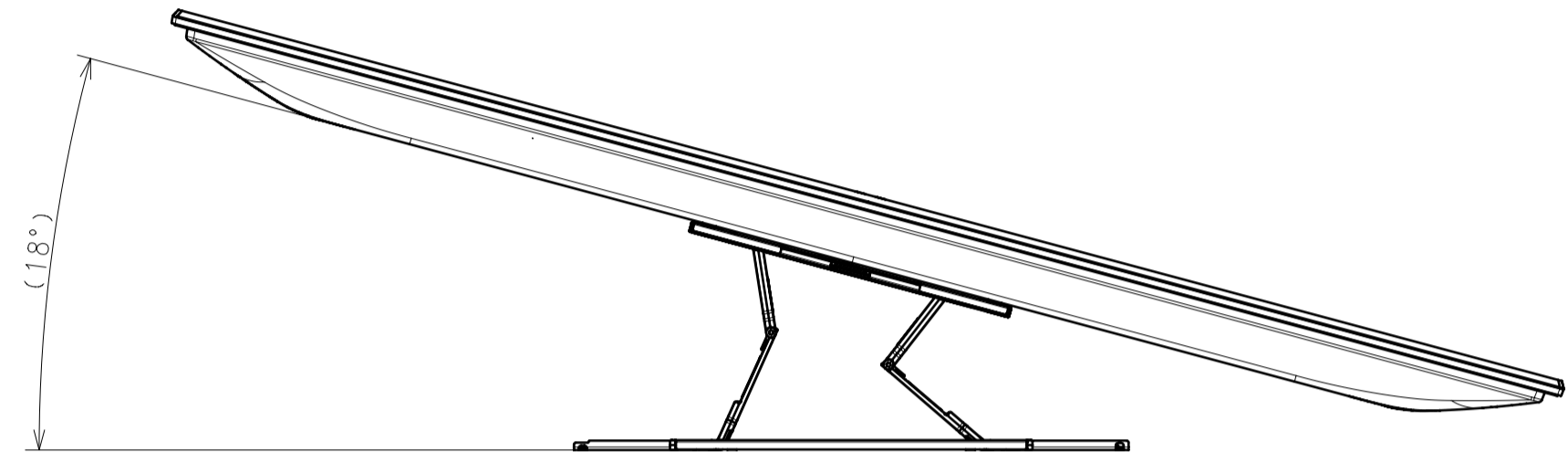
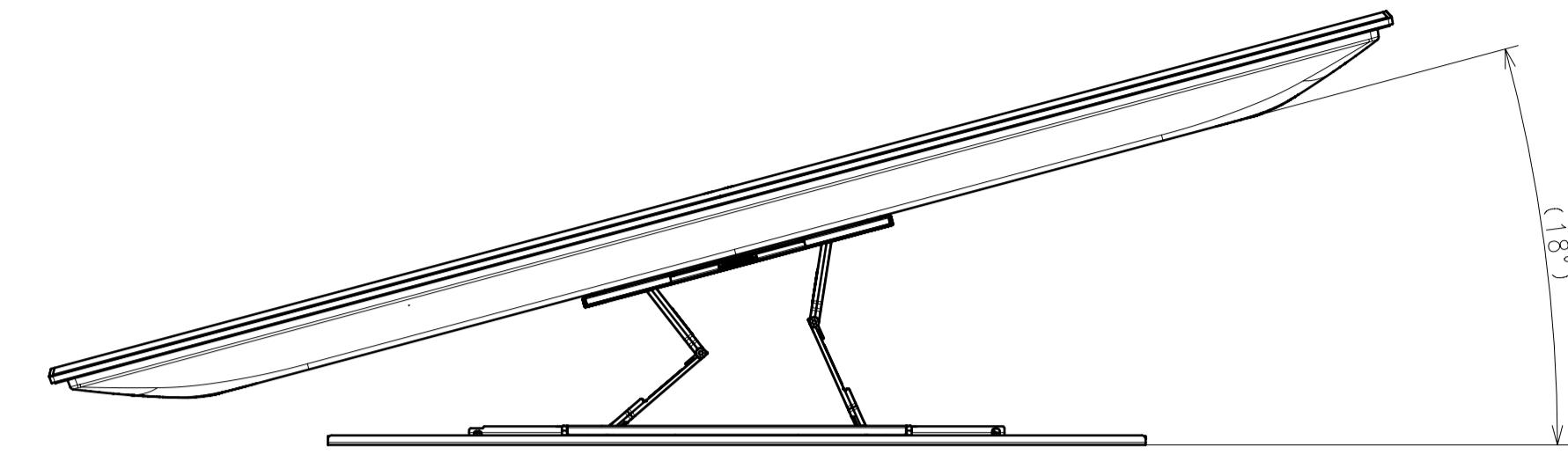
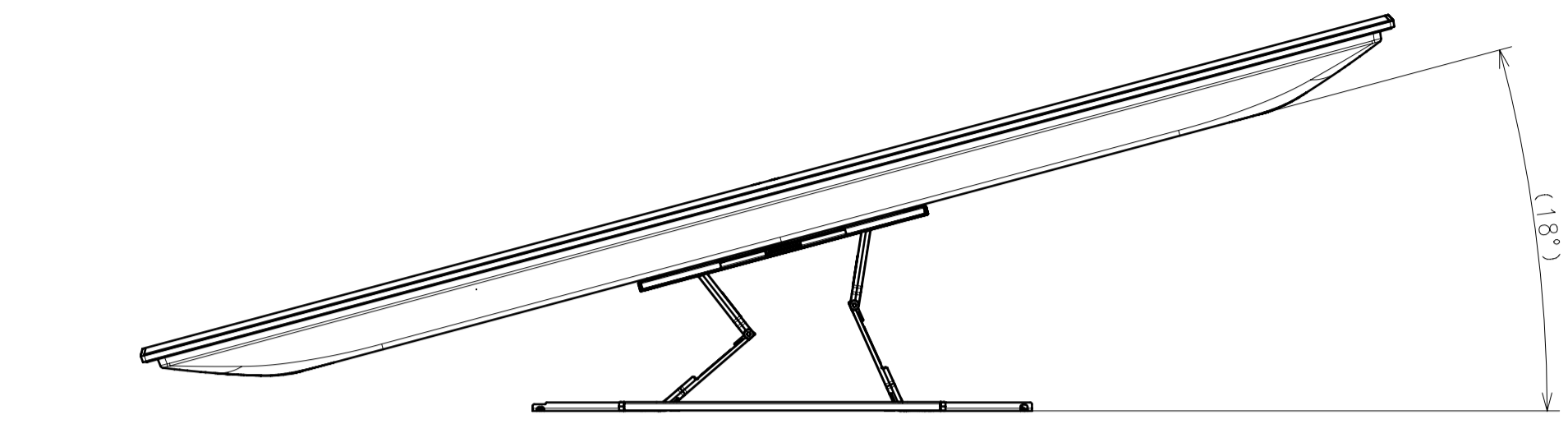
SLIM



DESCRIPTION	LEGAL OWNER	SCALE
65(BZ35L) EXTERIOR VIEW	Sony Corporation	1:5
DESCRIPTION	PART NO.	SHEET/PAGES
65(BZ35L) EXTERIOR VIEW		3 / 4

SU-WL 850

SU-WL 855 WITH LATERAL SHAFT BRACKET



DESCRIPTION 1	LEGAL OWNER	SCALE
65(BZ35L) EXTERIOR VIEW	Sony Corporation	1:7
DESCRIPTION 2	PART NO.	SHEET/PAGES
65(BZ35L) EXTERIOR VIEW		4 / 4