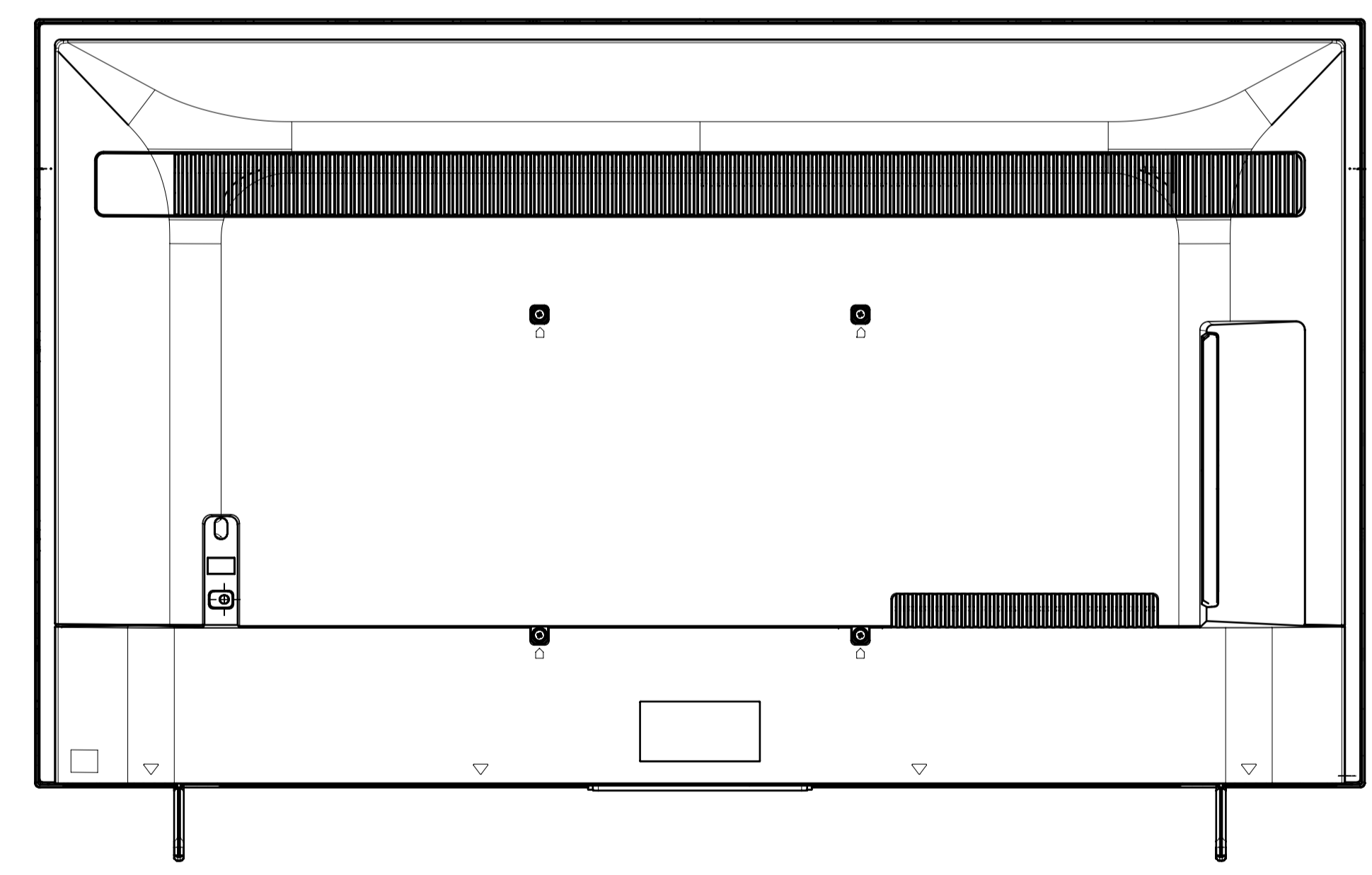
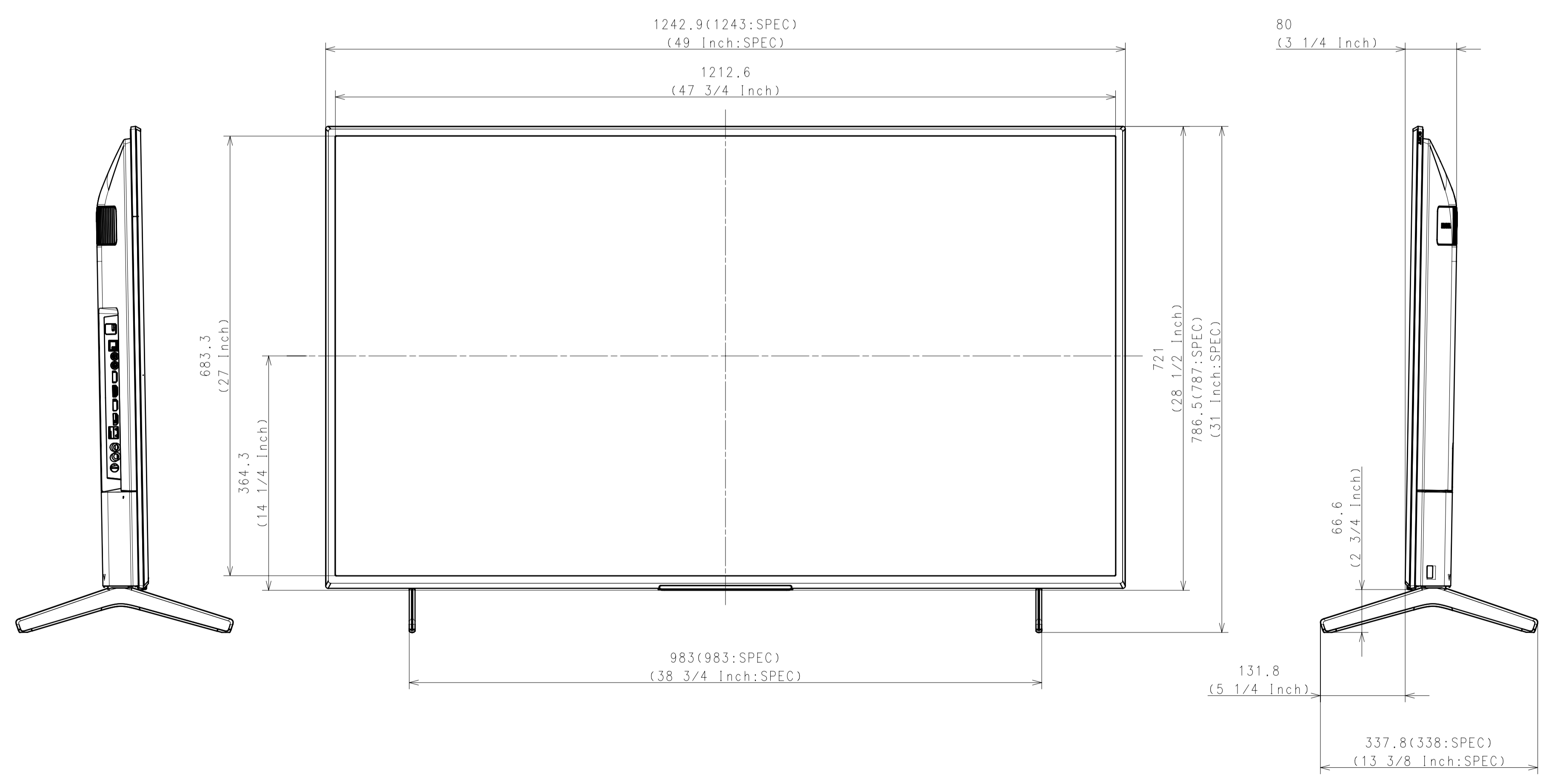
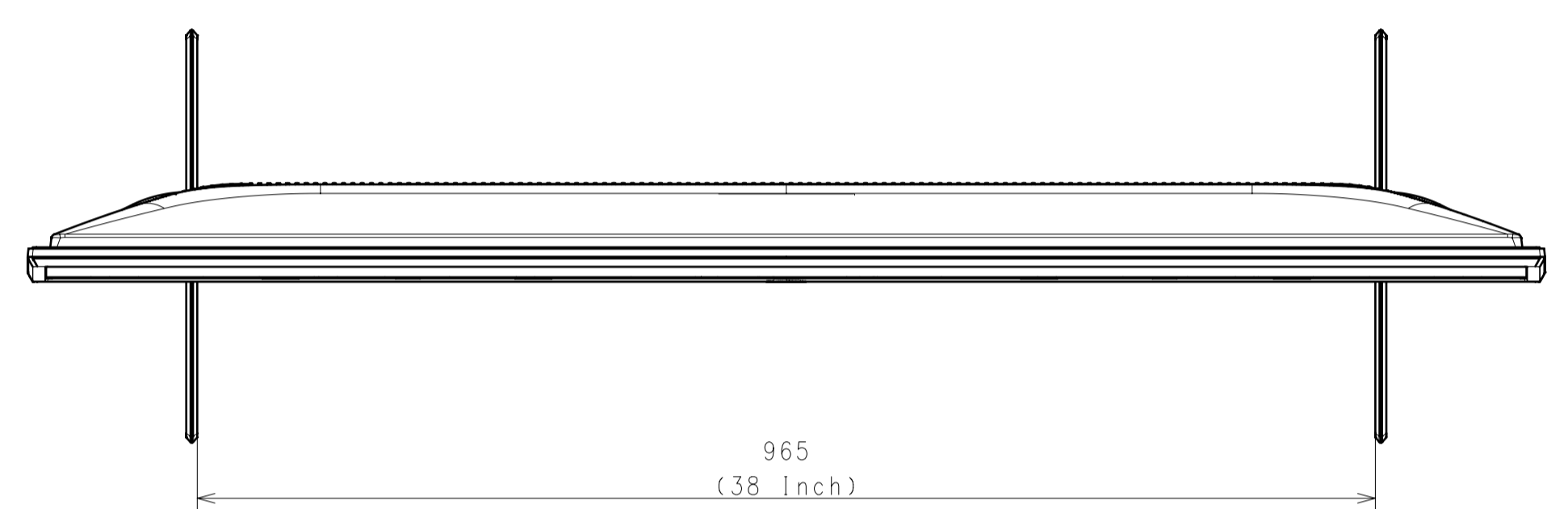


WITH STAND
STANDARD POSITION

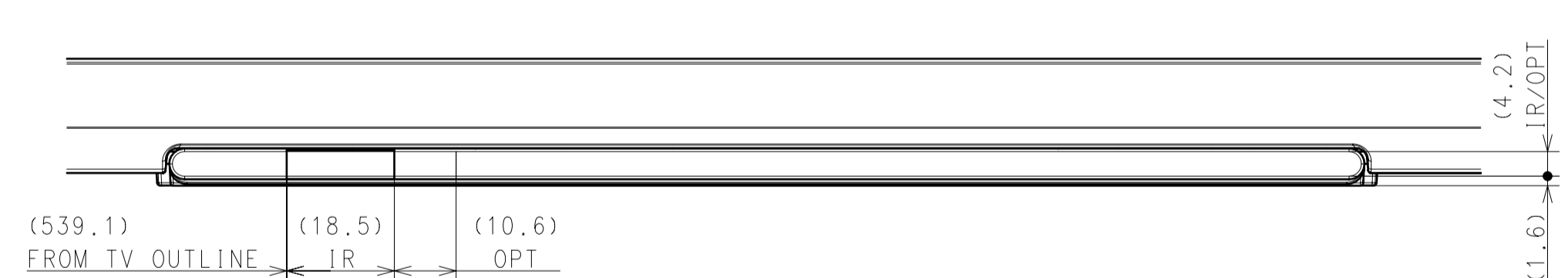
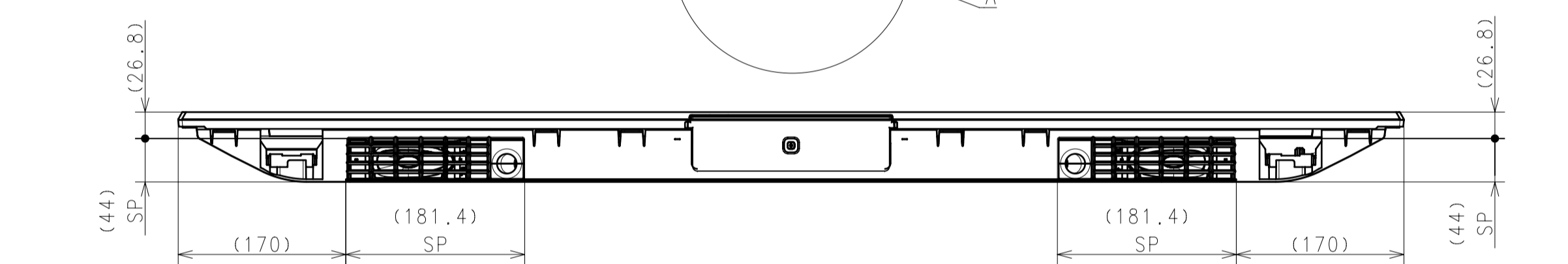
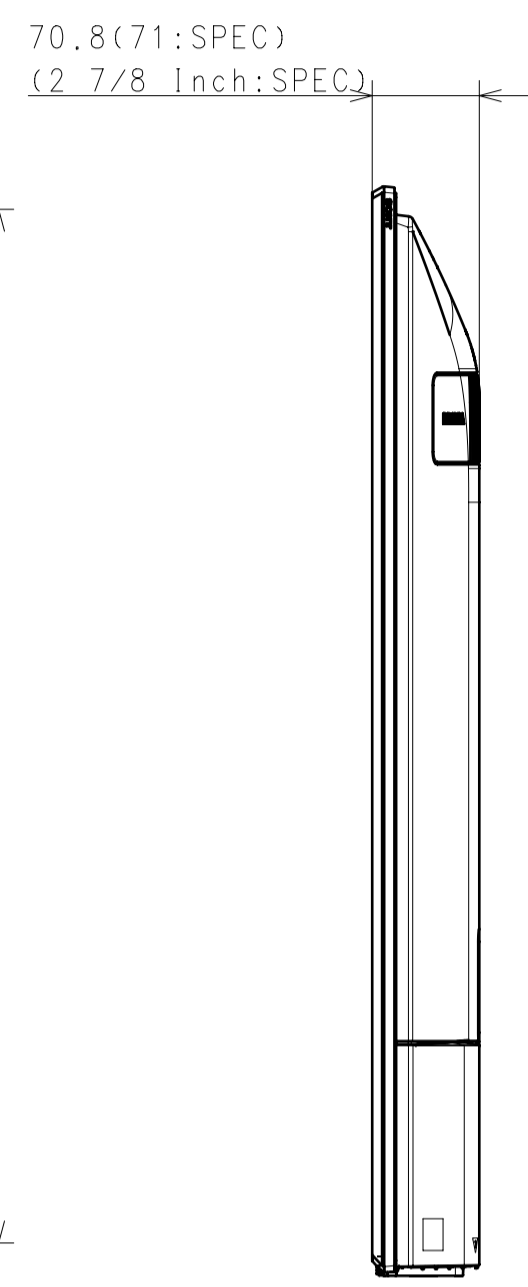
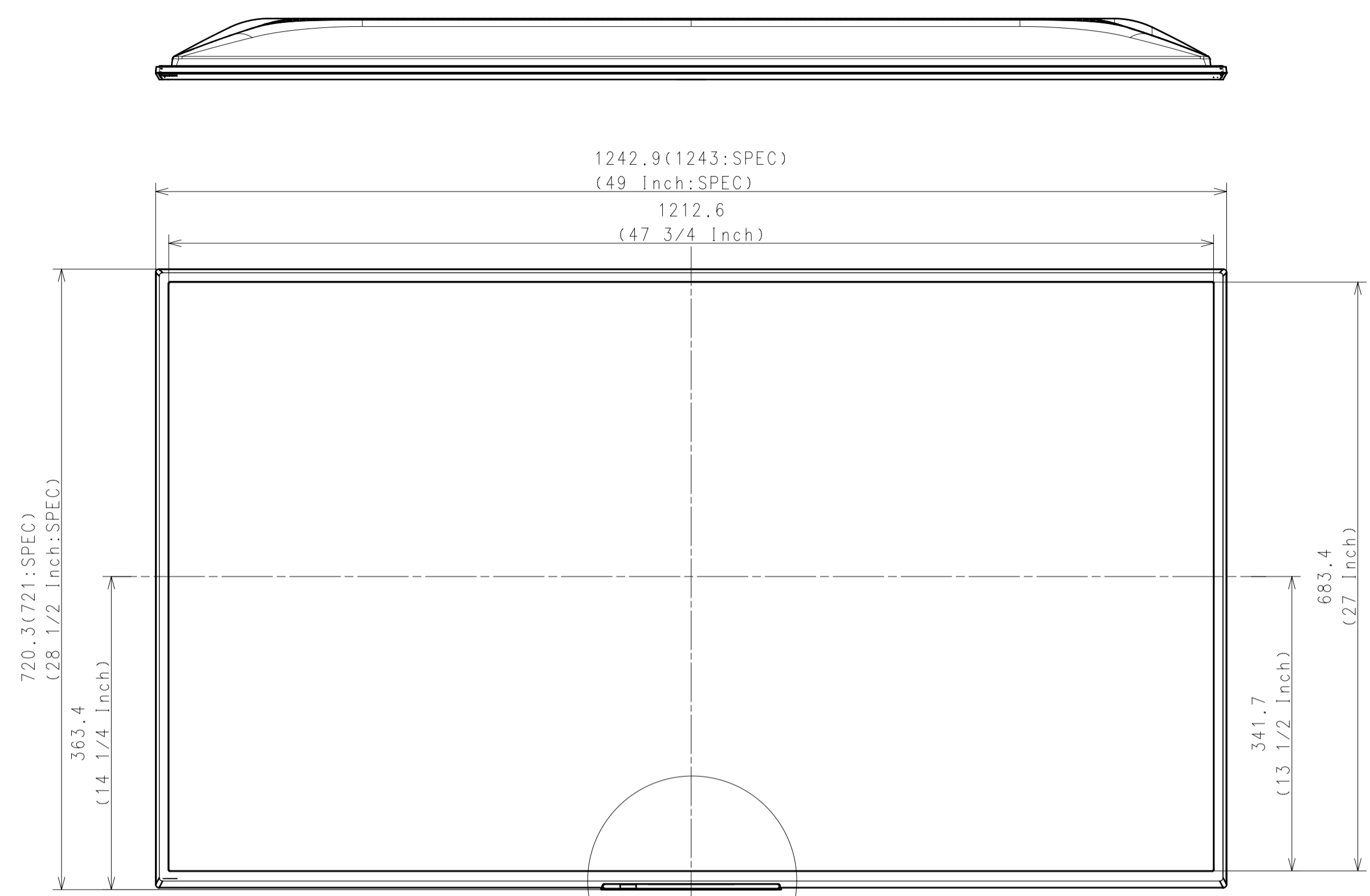


Area	JAPAN	NORTH AMERICA	EUROPE	GENERAL AREA	CHINA	
Model Name	FW-55BZ35L	FW-55BZ35L	FW-55BZ35L	FW-55BZ35L	FW-55BZ35L	
SV No.	SV-41741	SV-41410	SV-41544	SV-41740	SV-41518	
DIMENSION	TV only (W x H x D)	124.3 x 72.1 x 7.1 cm	1243 x 721 x 71 mm / 49 x 28 1/2 x 2 7/8 inch	Approx. 124.3 x 72.1 x 7.1 cm	Approx. 1243 x 721 x 71 mm	Approx. 1243 x 721 x 71 mm
	TV only with camera (W x H x D)	-	-	-	-	-
	TV with Stand (Standard position) (W x H x D)	124.3 x 78.7 x 33.8 cm	1243 x 787 x 338 mm / 49 x 31 x 13 3/8 inch	Approx. 124.3 x 78.7 x 33.8 cm	Approx. 1243 x 787 x 338 mm	Approx. 1243 x 787 x 338 mm
	TV with Stand (Narrow position) (W x H x D)	-	-	-	-	-
	TV with Stand (Soundbar position) (W x H x D)	-	-	-	-	-
	TV with Stand (Front position style) (W x H x D)	-	-	-	-	-
	TV with Stand (Back position style) (W x H x D)	-	-	-	-	-
	TV with Floor Stand (W x H x D)	-	-	-	-	-
	Stand Width (Standard position)	98.3 cm	983 mm / 38 3/4 inch	Approx. 98.3 cm	Approx. 983 mm	Approx. 983 mm
	Stand Width (Narrow position)	-	-	-	-	-
	Stand Width (Soundbar position)	-	-	-	-	-
	Stand Width (Front position style)	-	-	-	-	-
	Stand Width (Back position style)	-	-	-	-	-
	Floor Stand Width	-	-	-	-	-
VESA Hole Pitch	30.0 x 30.0 cm	300 x 300 mm / 11 7/8 x 11 7/8 inch	30.0 x 30.0 cm	300 x 300 mm	300 x 300 mm	
WEIGHT	TV Only	15.7 kg	15.7 kg / 34.6 lb	Approx. 15.7 kg	Approx. 15.7 kg	Approx. 15.7 kg
	TV with Stand (Standard position)	16.6 kg	16.6 kg / 36.6 lb	Approx. 16.6 kg	Approx. 16.6 kg	Approx. 16.6 kg
	TV with Stand (Narrow position)	-	-	-	-	-
	TV with Stand (Soundbar position)	-	-	-	-	-
	TV with Stand (Front/Back position style)	-	-	-	-	-
	TV with Floor Stand	-	-	-	-	-
	Floor Stand weight (Supply)	-	-	-	-	-
Remarks			Optional stand	Optional stand		

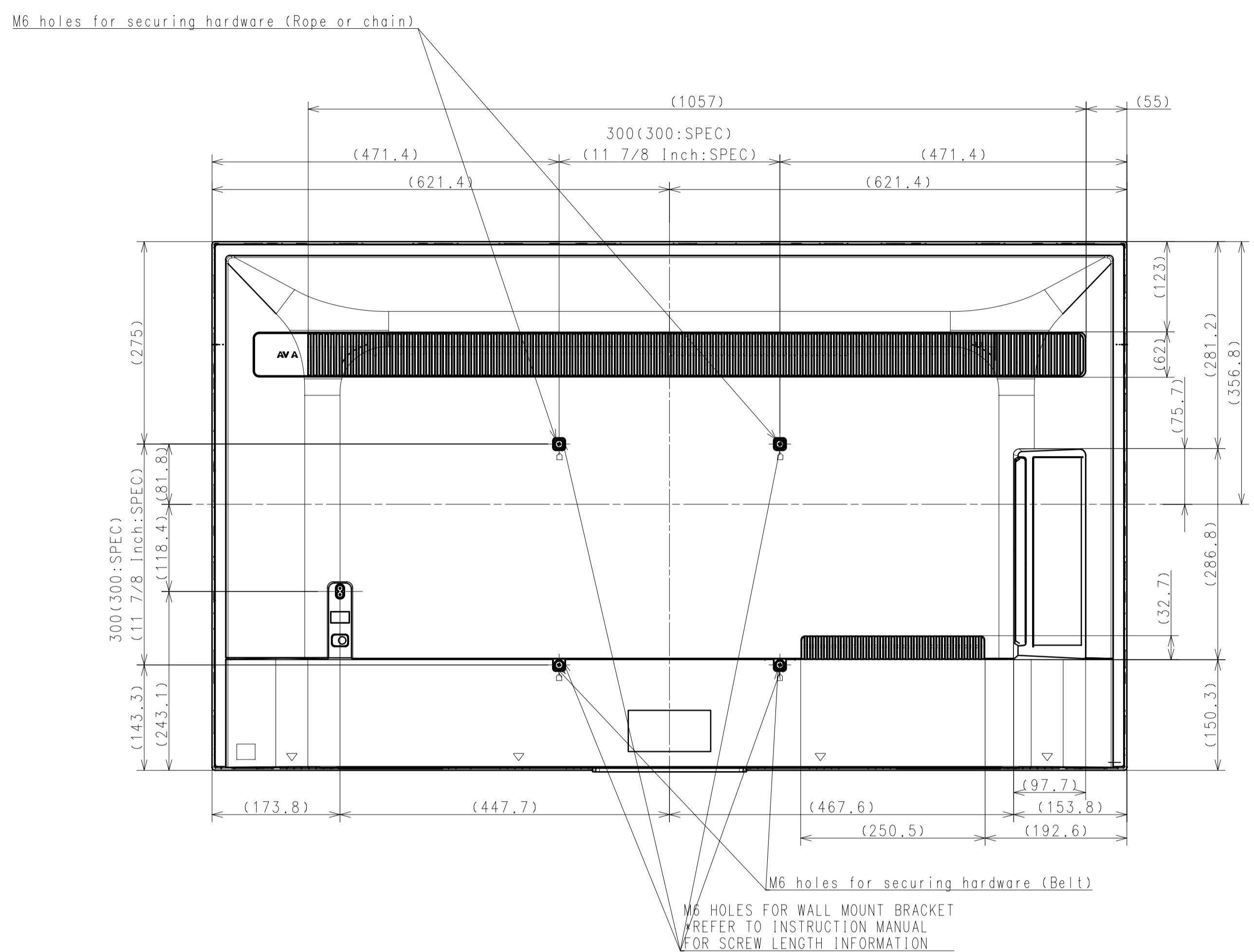
Purchase recycled resins and wire rods only from the business partners that Sony approves as Green Partners.
再生樹脂・銅線はグリーンパートナー認定品から調達すること。

HISTORY		RELEASE NO.		REVISION		MATERIAL COLOR		FINISH COLOR																																									
DATE	BY	DATE	NO.	NO.	NO.	NO.	NO.	NO.	NO.																																								
<table border="1"> <tr> <td>RESPONSIBLE DEPARTMENT</td> <td>SIZE</td> <td>UNIT</td> <td>ORIGINAL MODEL</td> <td>DESCRIPTION</td> </tr> <tr> <td>PANEL & MECHANICAL DESIGN</td> <td>A1</td> <td>mm</td> <td>55(BZ35L)</td> <td>EXTERIOR VIEW</td> </tr> <tr> <td>PLANNED BY</td> <td>SCALE</td> <td></td> <td>TENTATIVE MODEL</td> <td>DESCRIPTION</td> </tr> <tr> <td>2023.01.04</td> <td>1:5</td> <td></td> <td>55(BZ35L)</td> <td>EXTERIOR VIEW</td> </tr> <tr> <td>DRAWN BY</td> <td>REV. METHOD</td> <td></td> <td>TENTATIVE PART NO.</td> <td>PART NO.</td> </tr> <tr> <td>2023.01.04</td> <td></td> <td></td> <td></td> <td></td> </tr> <tr> <td colspan="4"></td> <td>SHEET/PAGES</td> </tr> <tr> <td colspan="4"></td> <td>1 / 4</td> </tr> </table>										RESPONSIBLE DEPARTMENT	SIZE	UNIT	ORIGINAL MODEL	DESCRIPTION	PANEL & MECHANICAL DESIGN	A1	mm	55(BZ35L)	EXTERIOR VIEW	PLANNED BY	SCALE		TENTATIVE MODEL	DESCRIPTION	2023.01.04	1:5		55(BZ35L)	EXTERIOR VIEW	DRAWN BY	REV. METHOD		TENTATIVE PART NO.	PART NO.	2023.01.04									SHEET/PAGES					1 / 4
RESPONSIBLE DEPARTMENT	SIZE	UNIT	ORIGINAL MODEL	DESCRIPTION																																													
PANEL & MECHANICAL DESIGN	A1	mm	55(BZ35L)	EXTERIOR VIEW																																													
PLANNED BY	SCALE		TENTATIVE MODEL	DESCRIPTION																																													
2023.01.04	1:5		55(BZ35L)	EXTERIOR VIEW																																													
DRAWN BY	REV. METHOD		TENTATIVE PART NO.	PART NO.																																													
2023.01.04																																																	
				SHEET/PAGES																																													
				1 / 4																																													

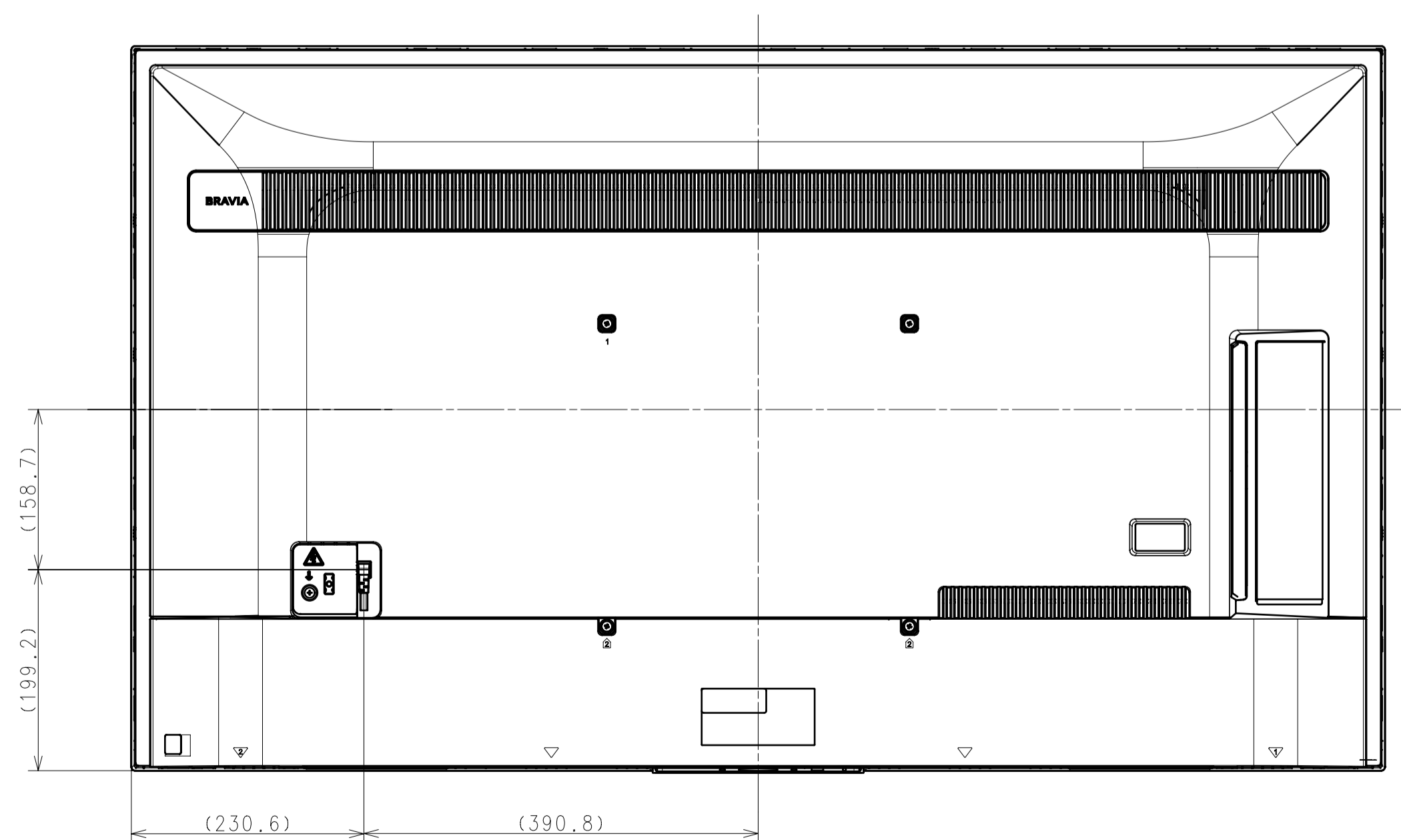
WITHOUT STAND



A
1:1



For. NORTH AMERICA, GENERAL AREA, CHINA, EUROPE



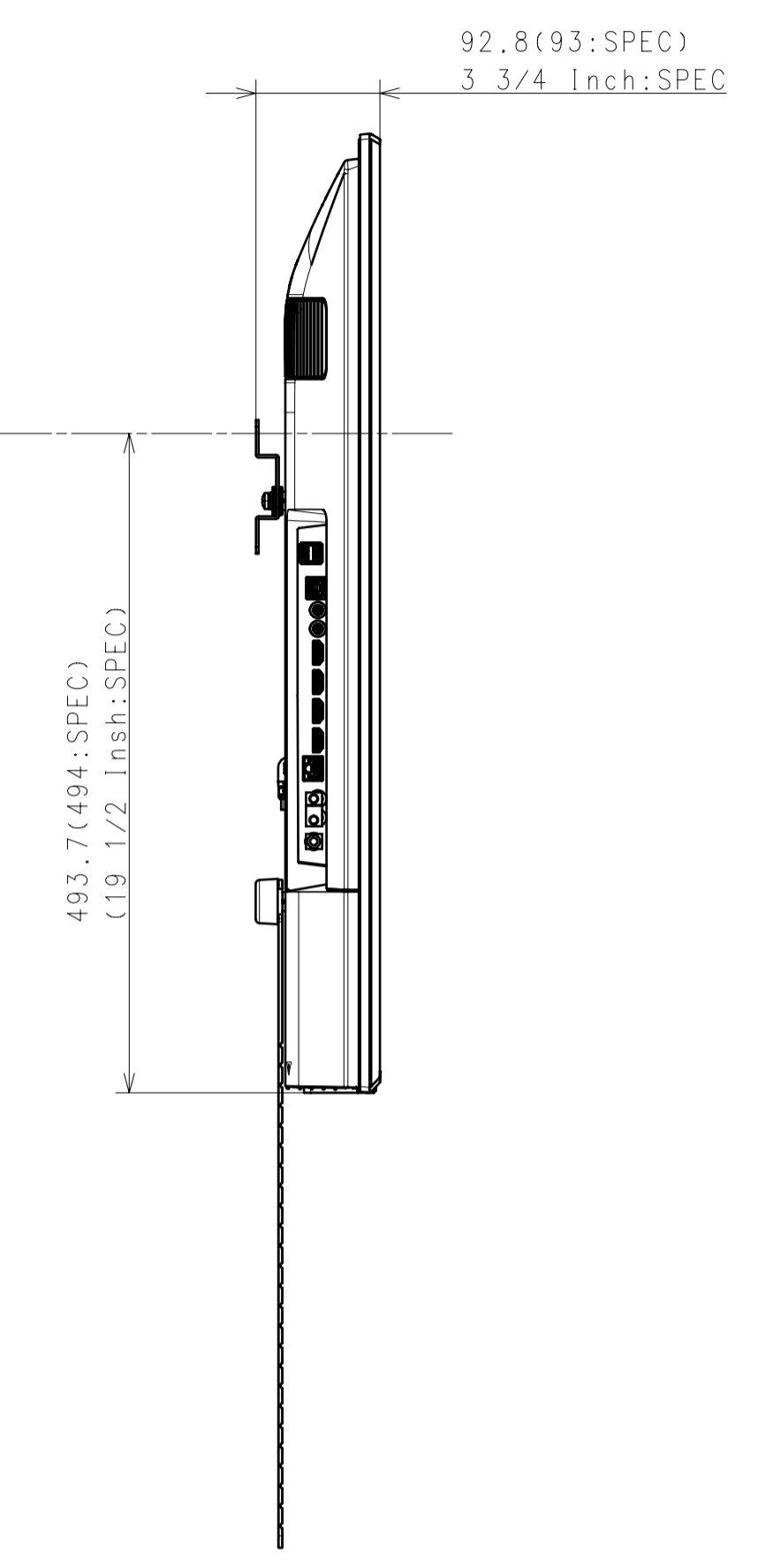
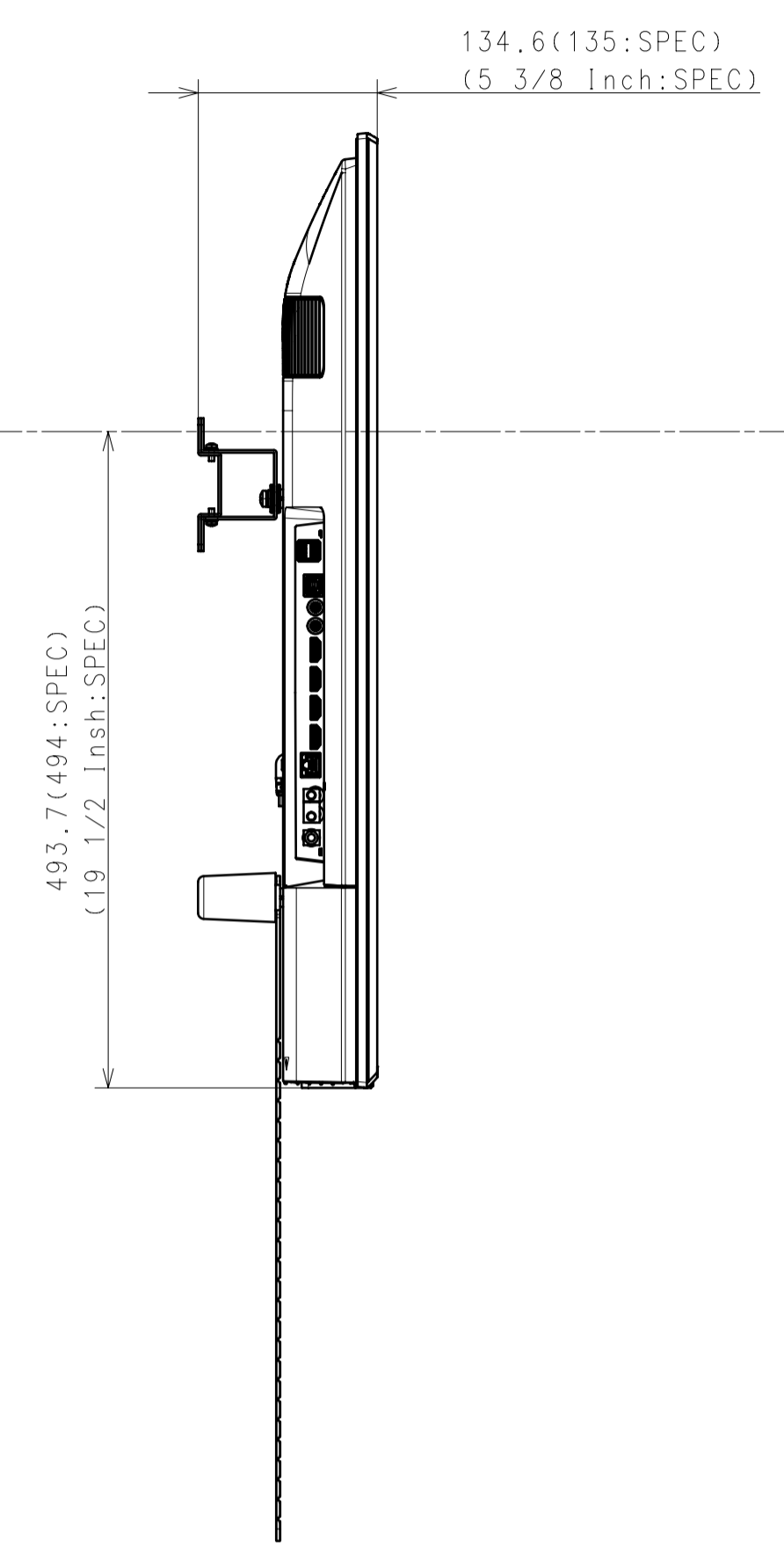
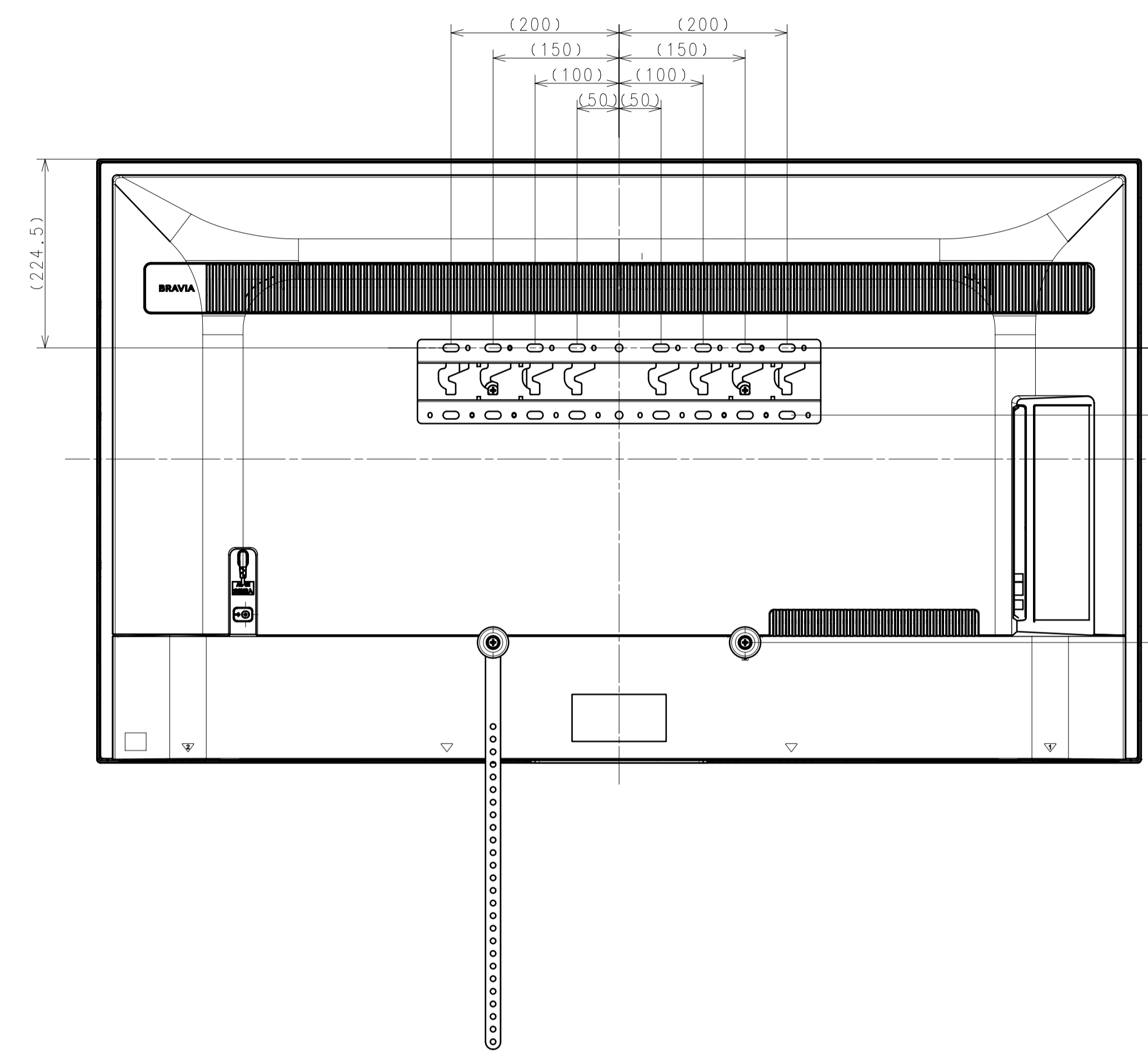
For. JAPAN

DESCRIPTION: 55(BZ35L) EXTERIOR VIEW	SCALE: 1:5
DESCRIPTION: 55(BZ35L) EXTERIOR VIEW	SHEET/PAGES: 2 / 4
EQUAL OWNER: Sony Corporation	PART NO.:
TENTATIVE PART NO.:	

SU-WL450

STANDARD

SLIM

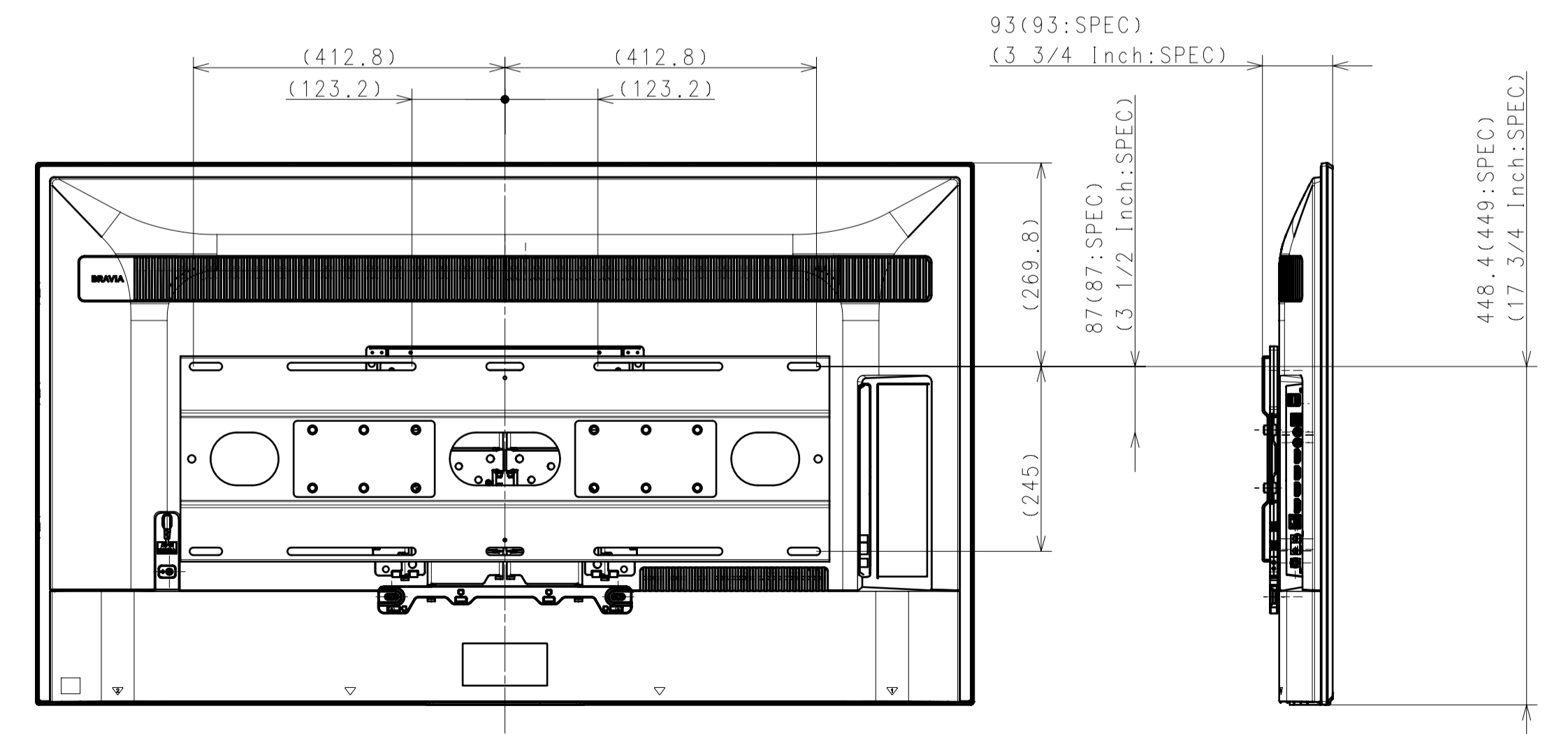
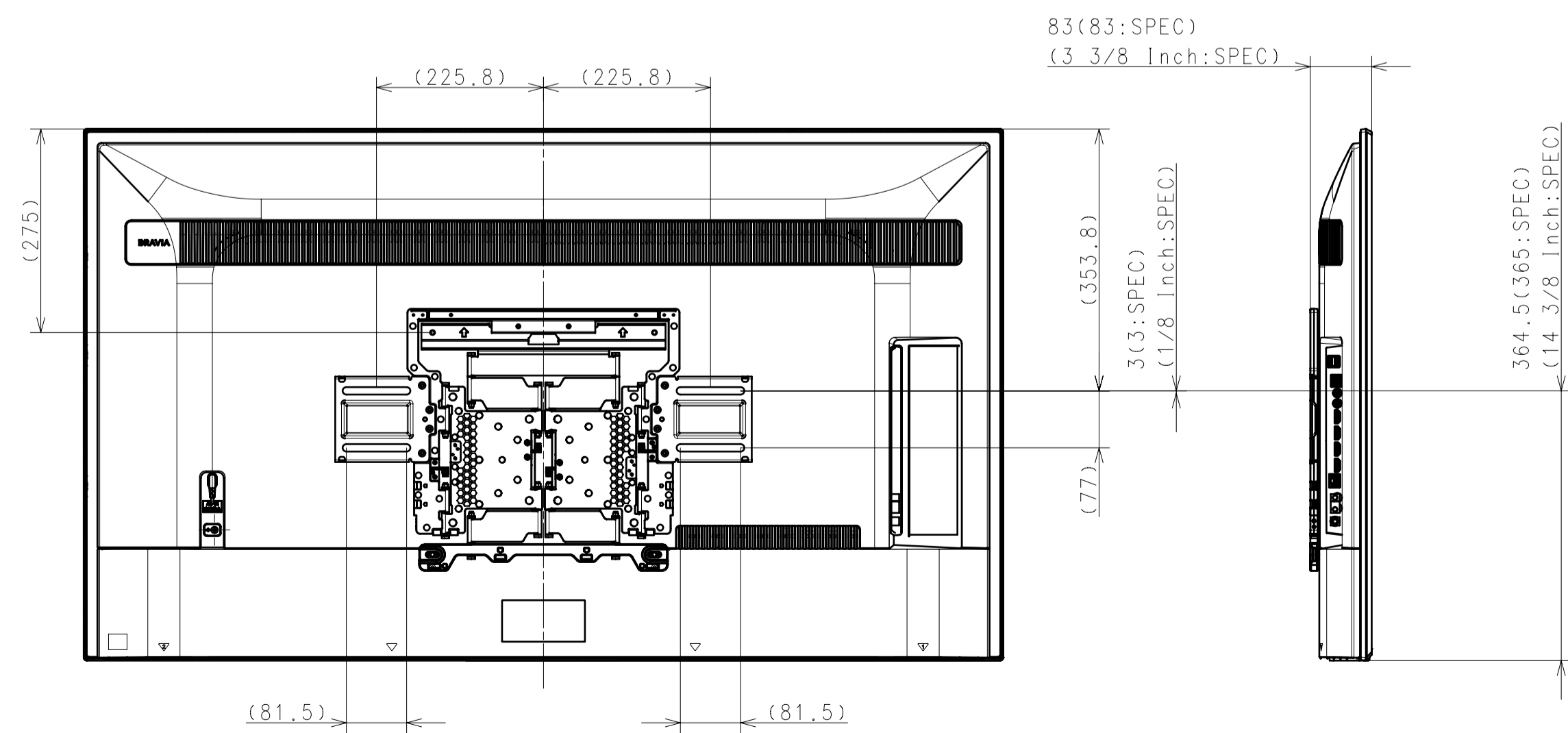
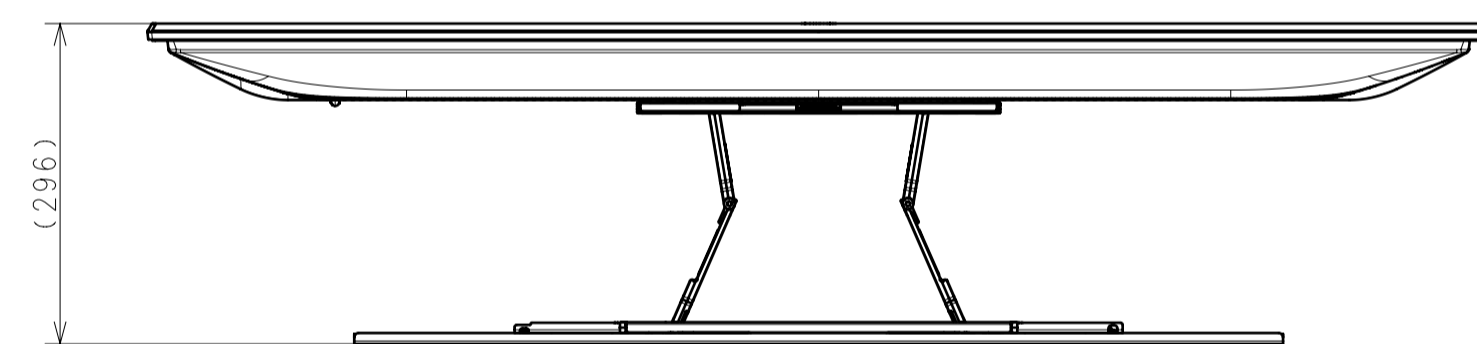
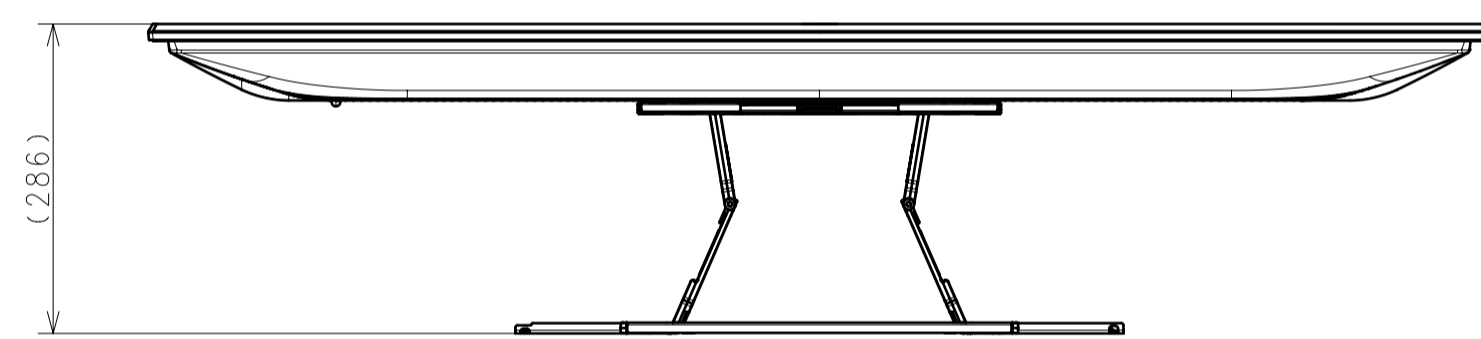
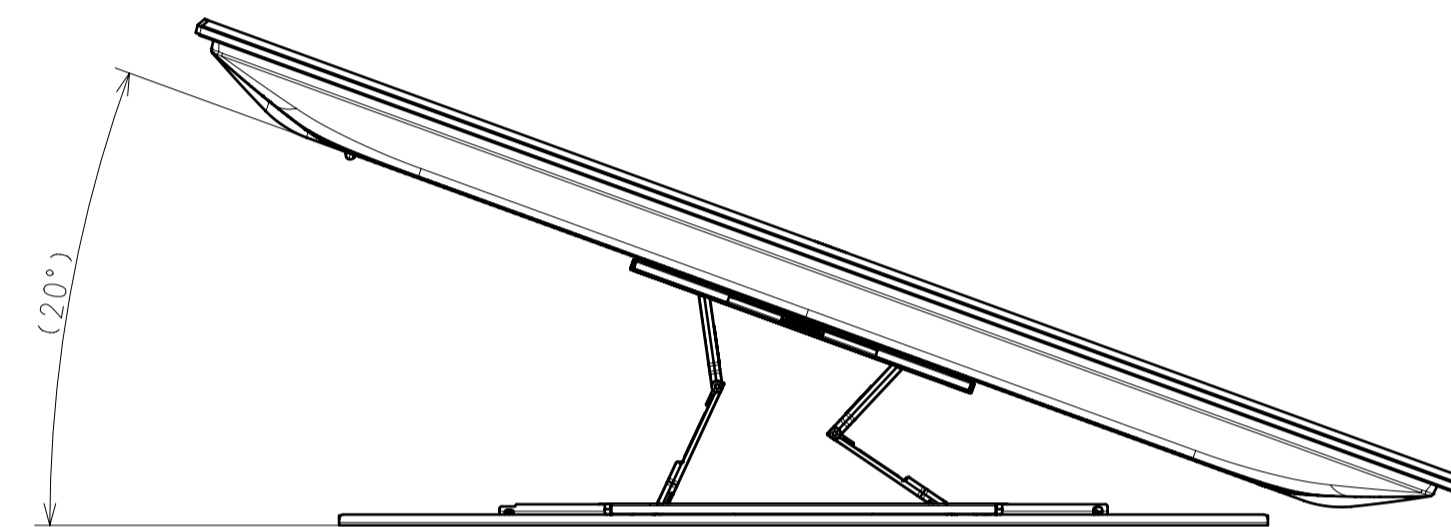
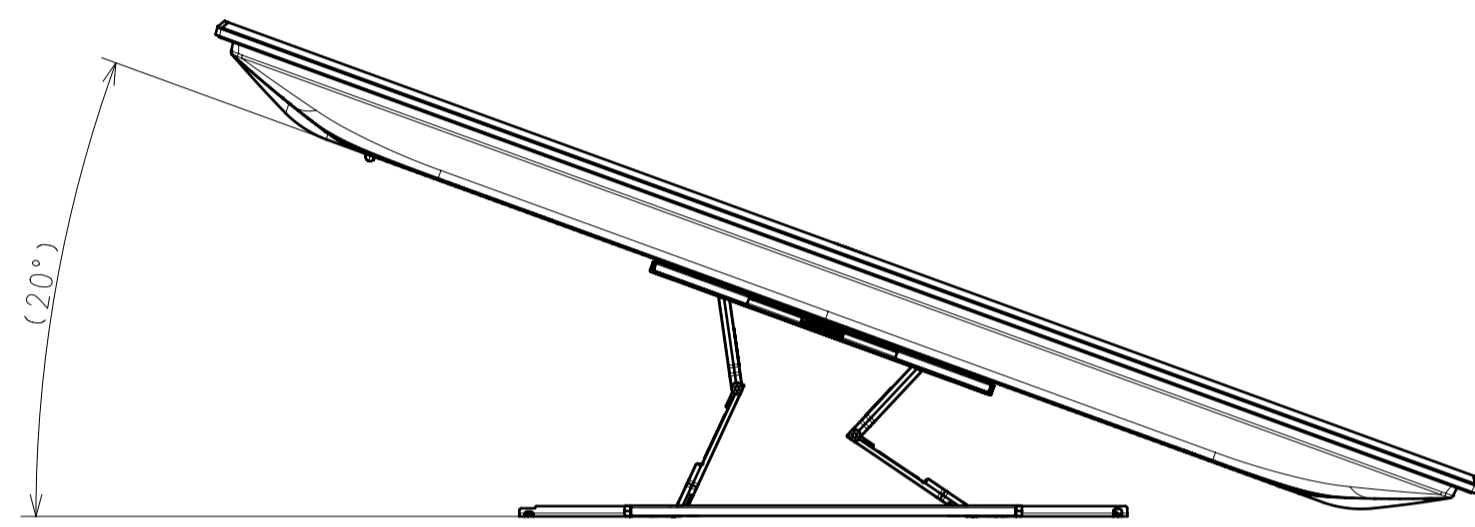
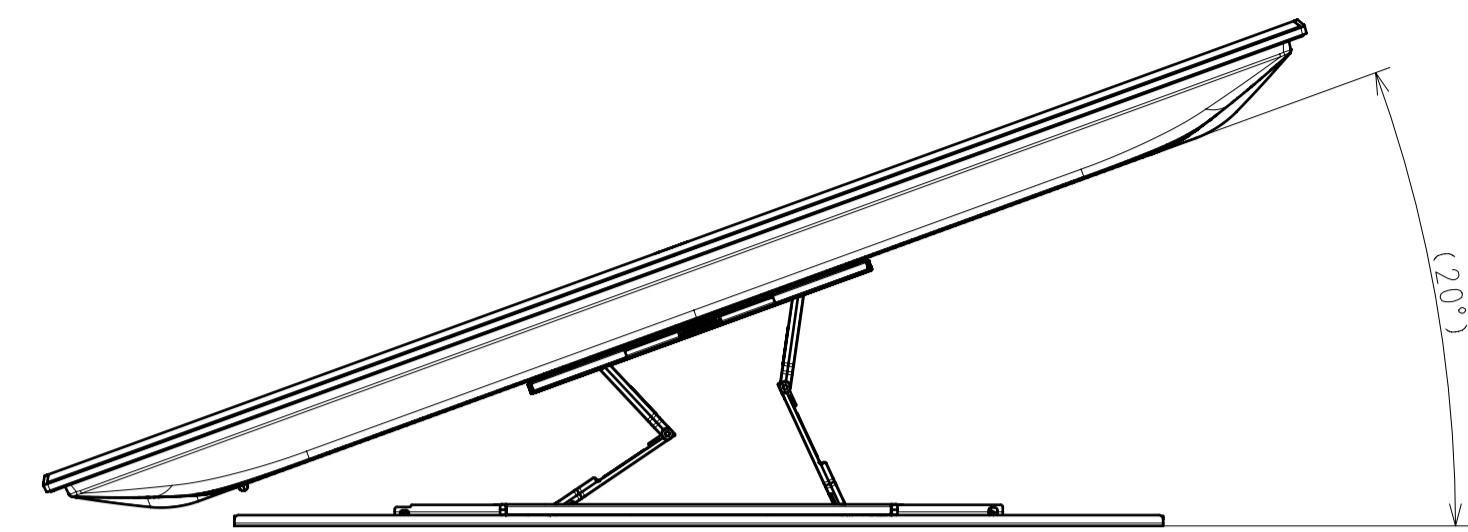
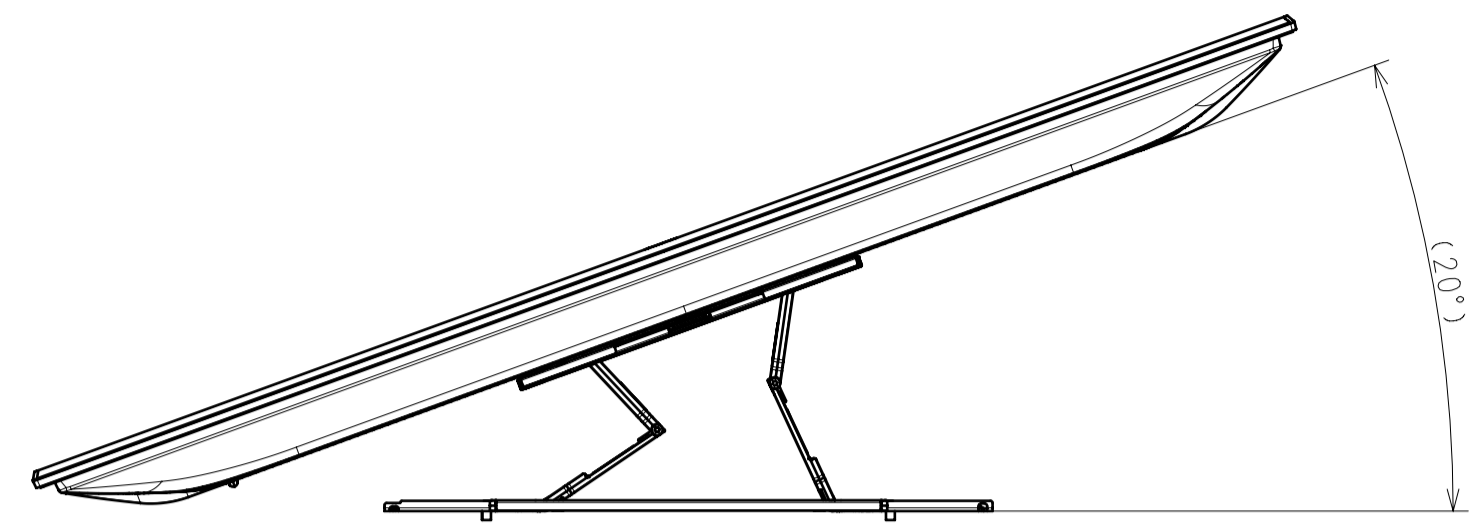


SONY STANDARD

DESCRIPTION	LEGAL OWNER	SCALE
55(BZ35L) EXTERIOR VIEW	Sony Corporation	1:5
DESCRIPTION	PART NO.	SHEET/PAGES
55(BZ35L) EXTERIOR VIEW		3/4

SU-WL 850

SU-WL 855 WITH LATERAL SHAFT BRACKET



DESCRIPTION 1	55(BZ35L) EXTERIOR VIEW	LEGAL OWNER	Sony Corporation	SCALE	1:7
DESCRIPTION 2	55(BZ35L) EXTERIOR VIEW	PART NO.		SHEET/PAGES	4/4