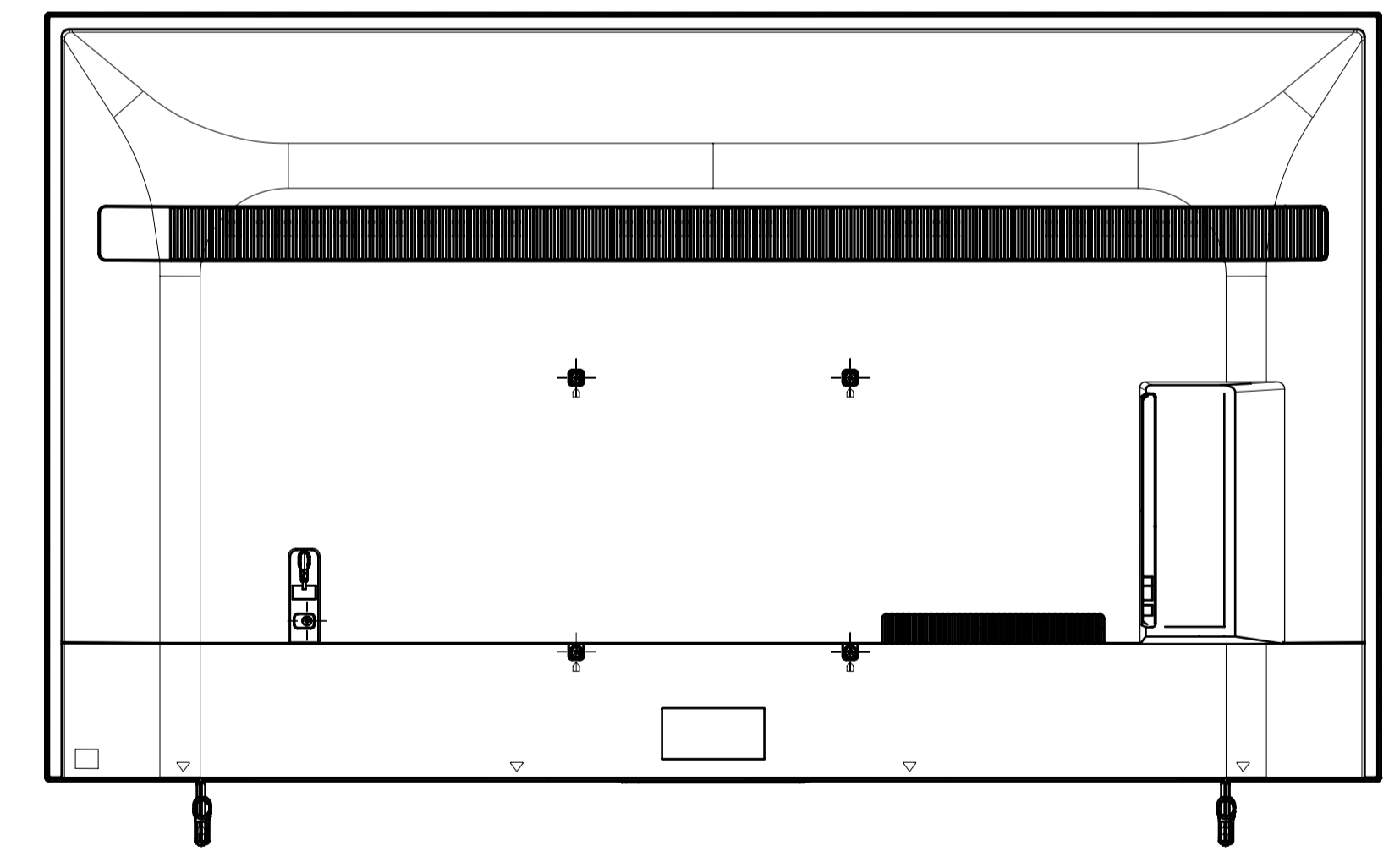
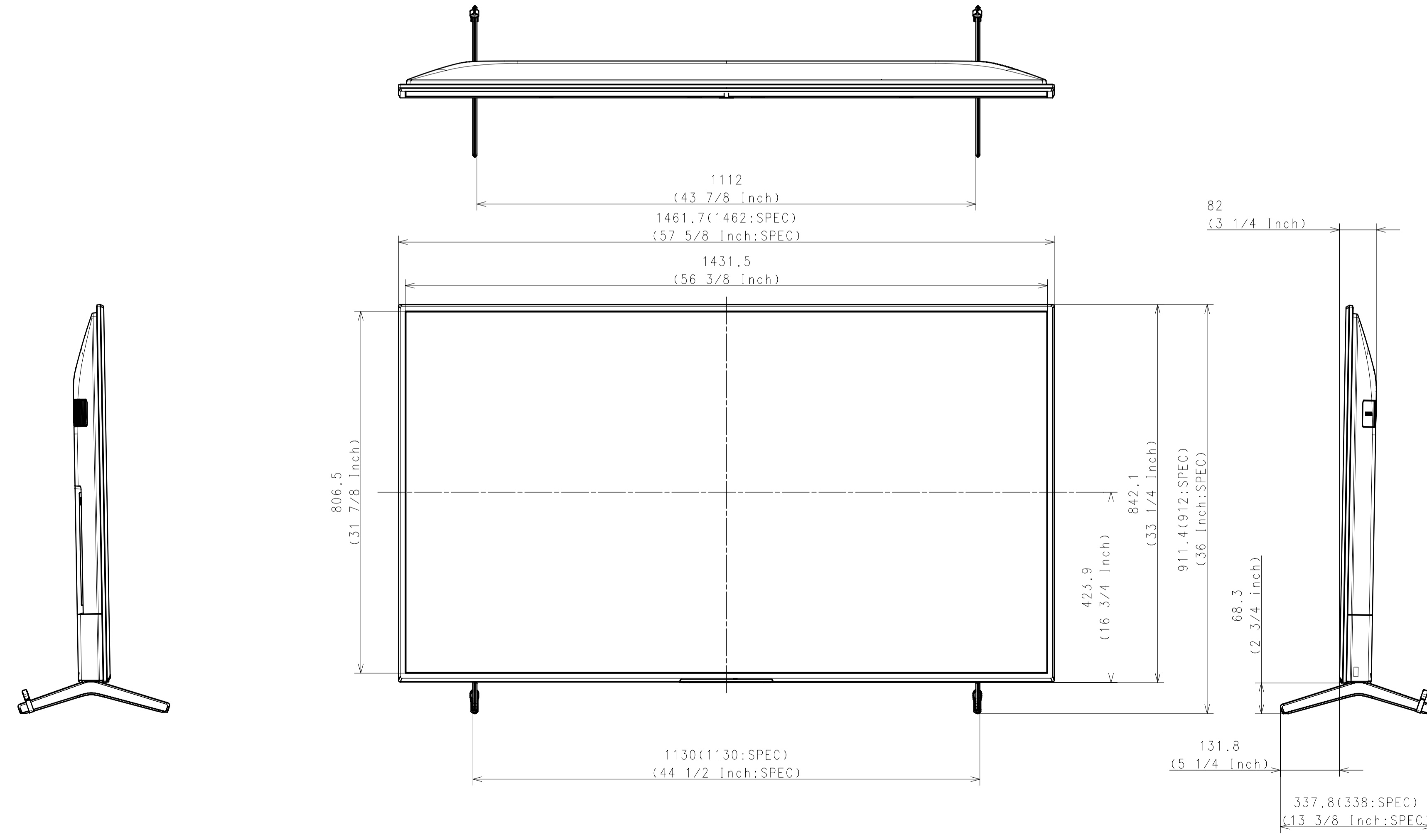


| Area                                      | JAPAN  | NORTH AMERICA                       | EUROPE  | GENERAL AREA                   | CHINA                       |                             |
|---|--|-------------------------------------|---|--------------------------------|-----------------------------|-----------------------------|
| Model Name                                | FW-65BZ30L                                       | FW-65BZ30L                          | FW-65BZ30L  | FW-65BZ30L                     | FW-65BZ30L                  |                             |
| SV No.                                    | SV-41553   | SV-41403                            | SV-41485  | SV-41486                       | SV-41511                    |                             |
| DIMENSION                                 | TV only (W x H x D)                              | 146.2 x 84.2 x 7.1 cm               | 1462 x 842 x 71 mm / 57 5/8 x 33 1/4 x 2 7/8 inch | Approx. 146.2 x 84.2 x 7.1 cm  | Approx. 1462 x 842 x 71 mm  | Approx. 1462 x 842 x 71 mm  |
|   | TV only with camera (W x H x D)                  | -                                   | -   | -                              | -                           | -                           |
|   | TV with Stand (Standard position) (W x H x D)    | 146.2 x 91.2 x 33.8 cm              | 1462 x 912 x 338 mm / 57 5/8 x 36 x 13 3/8 inch   | Approx. 146.2 x 91.2 x 33.8 cm | Approx. 1462 x 912 x 338 mm | Approx. 1462 x 912 x 338 mm |
|   | TV with Stand (Narrow position) (W x H x D)      | -                                   | -   | -                              | -                           | -                           |
|   | TV with Stand (Soundbar position) (W x H x D)    | -                                   | -   | -                              | -                           | -                           |
|   | TV with Stand (Front position style) (W x H x D) | -                                   | -   | -                              | -                           | -                           |
|   | TV with Stand (Back position style) (W x H x D)  | -                                   | -   | -                              | -                           | -                           |
|   | TV with Floor Stand (W x H x D)                  | -                                   | -   | -                              | -                           | -                           |
|   | Stand Width (Standard position)                  | 113.0 cm                            | 1130 mm / 44 1/2 inch                             | Approx. 113.0 cm               | Approx. 1130 mm             | Approx. 1130 mm             |
|   | Stand Width (Narrow position)                    | -                                   | -   | -                              | -                           | -                           |
| Stand Width (Soundbar position)           | -  | -                                   | -   | -                              | -                           |                             |
| Stand Width (Front position style)        | -  | -                                   | -   | -                              | -                           |                             |
| Stand Width (Back position style)         | -  | -                                   | -   | -                              | -                           |                             |
| Floor Stand Width                         | -  | -                                   | -   | -                              | -                           |                             |
| VESA Hole Pitch                           | 30.0 x 30.0 cm                                   | 300 x 300 mm / 11 7/8 x 11 7/8 inch | 30.0 x 30.0 cm                                    | 300 x 300 mm                   | 300 x 300 mm                |                             |
| TV Only                                   | 21.2 kg  | 21.2 kg / 46.7 lb                   | Approx. 21.2 kg                                   | Approx. 21.2 kg                | Approx. 21.2 kg             |                             |
| TV with Stand (Standard position)         | 22.1 kg  | 22.1 kg / 48.7 lb                   | Approx. 22.1 kg                                   | Approx. 22.1 kg                | Approx. 22.1 kg             |                             |
| TV with Stand (Narrow position)           | -  | -                                   | -   | -                              | -                           |                             |
| TV with Stand (Soundbar position)         | -  | -                                   | -   | -                              | -                           |                             |
| TV with Stand (Front/Back position style) | -  | -                                   | -   | -                              | -                           |                             |
| TV with Floor Stand                       | -  | -                                   | -   | -                              | -                           |                             |
| Floor Stand weight (Supply)               | -  | -                                   | -   | -                              | -                           |                             |
| W-M't Br. Weight (Supply)                 | -  | -                                   | -   | -                              | -                           |                             |
| Remarks                                   |  | Optional stand                      | Optional stand                                    |                                |                             |                             |

WITH STAND



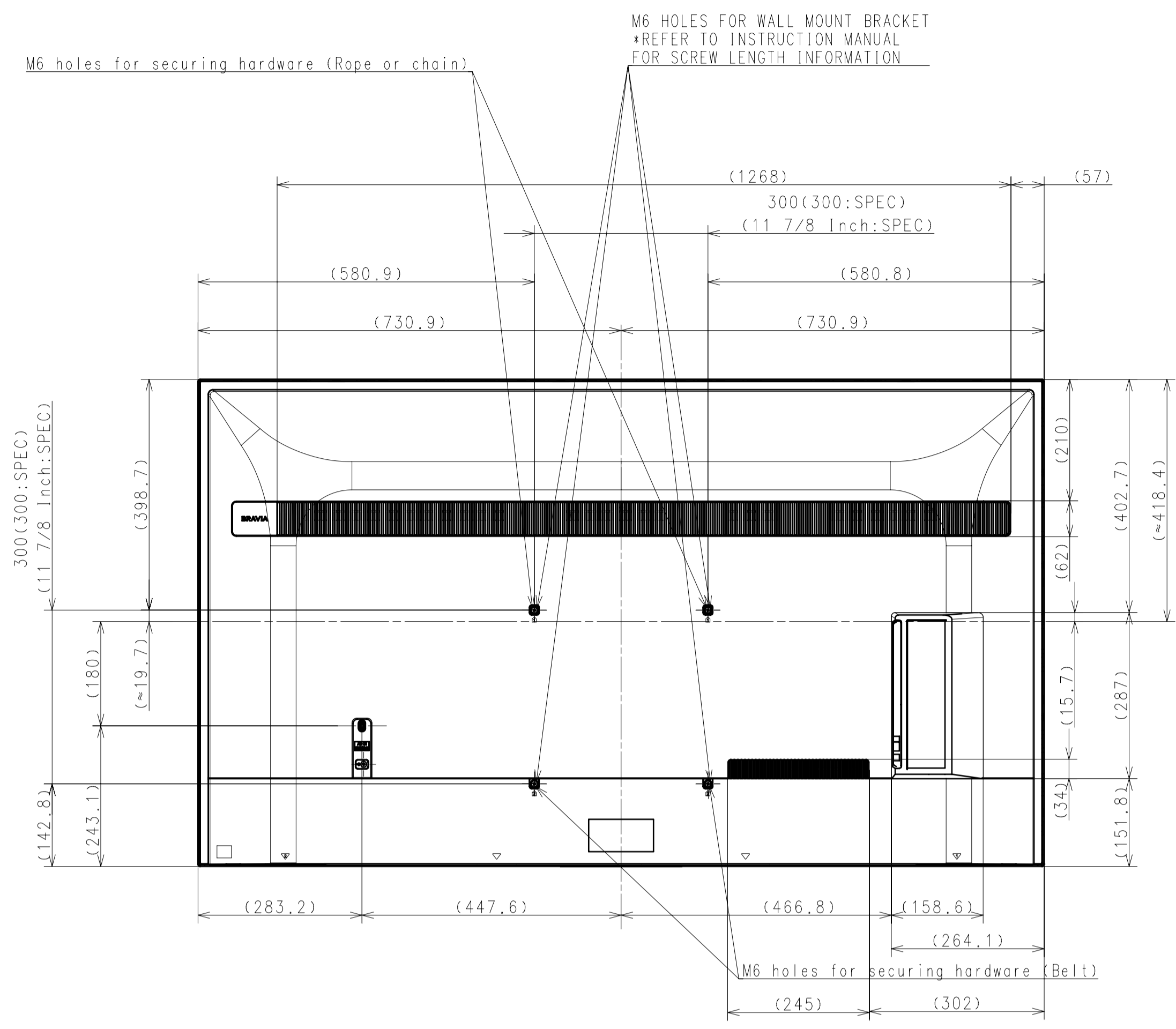
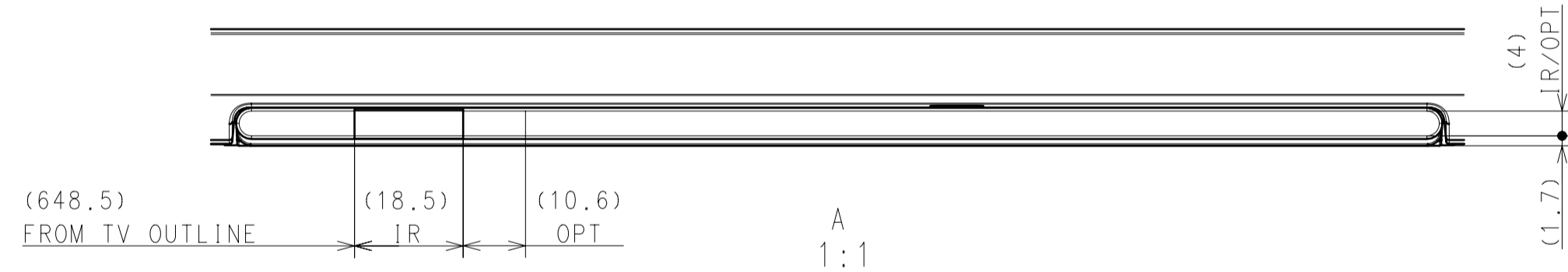
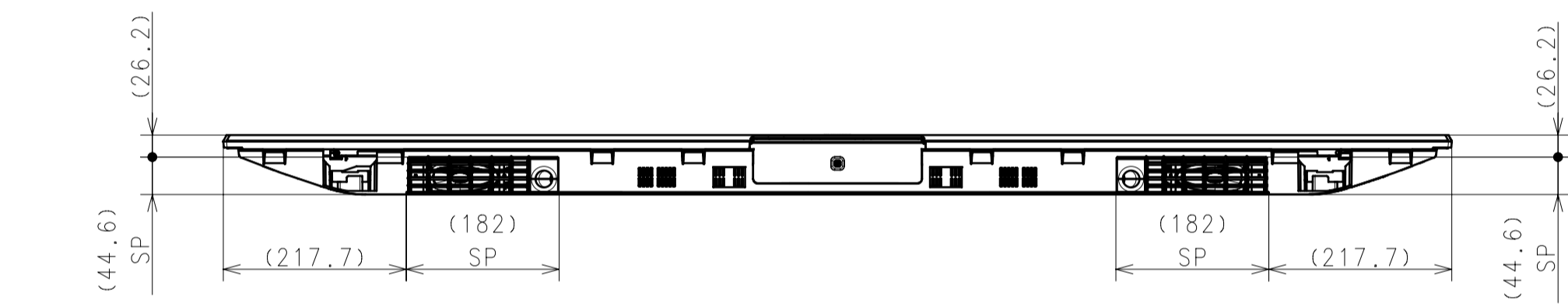
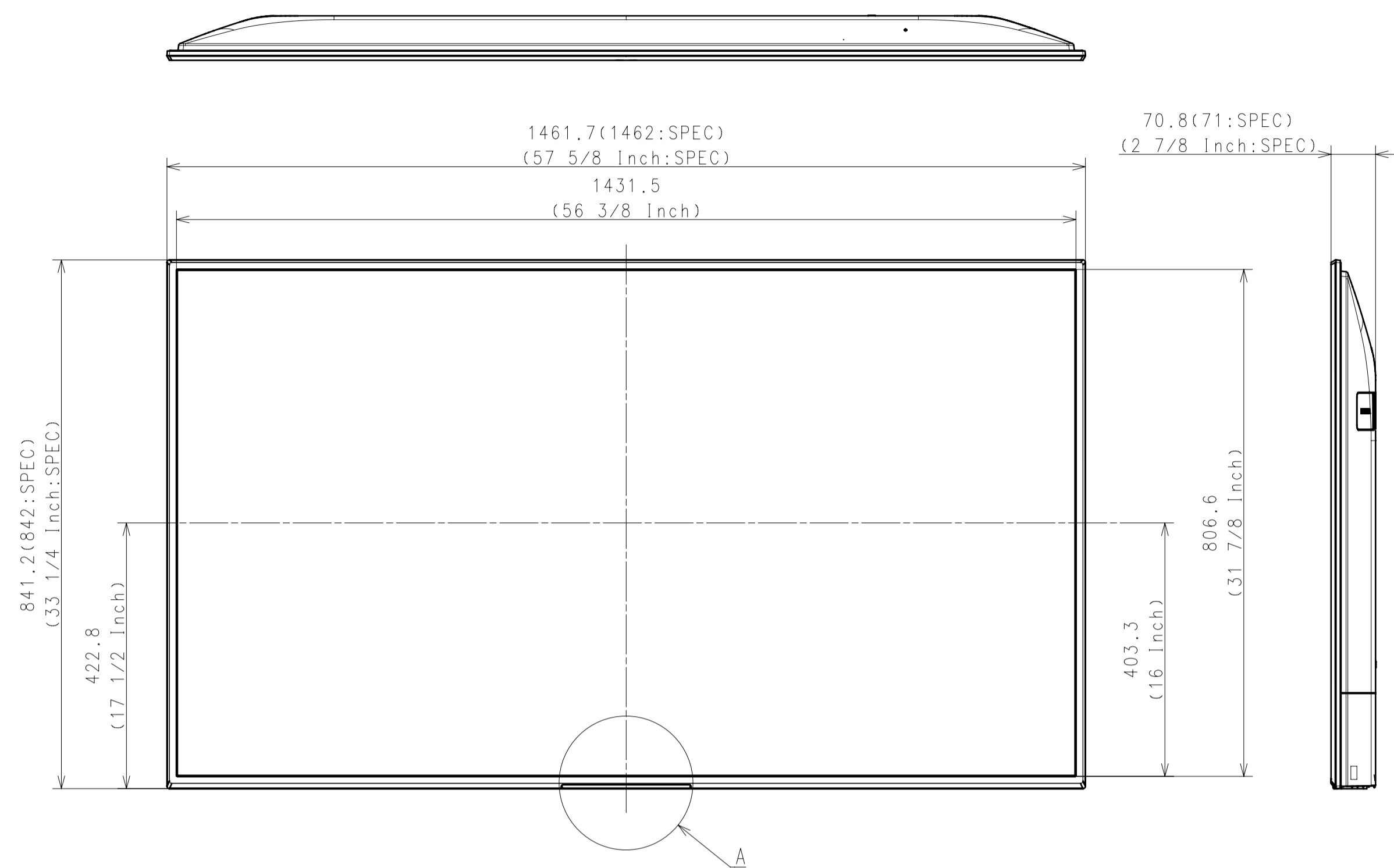
Purchase recycled resins and wire rods only from the business partners that Sony approves as Green Partners.  
 再生樹脂・銅線材のみをグリーンパートナーから調達してください。

| DATE OF ISSUE | REVISION | DESCRIPTION               | APPROVED BY | DATE |
|---------------|----------|---------------------------|-------------|------|
| 2023.01.10    | 1        | ASSEMBLY DRAWING          | R.Nemoto    |      |
| 2020.11.11    | 3        | CORRECT INFORMATION(Ver3) | R.Nemoto    |      |
| 2020.11.19    | 4        | CORRECT INFORMATION(Ver4) | R.Nemoto    |      |
| 2020.10.30    | 2        | CORRECT INFORMATION(Ver2) | R.Nemoto    |      |

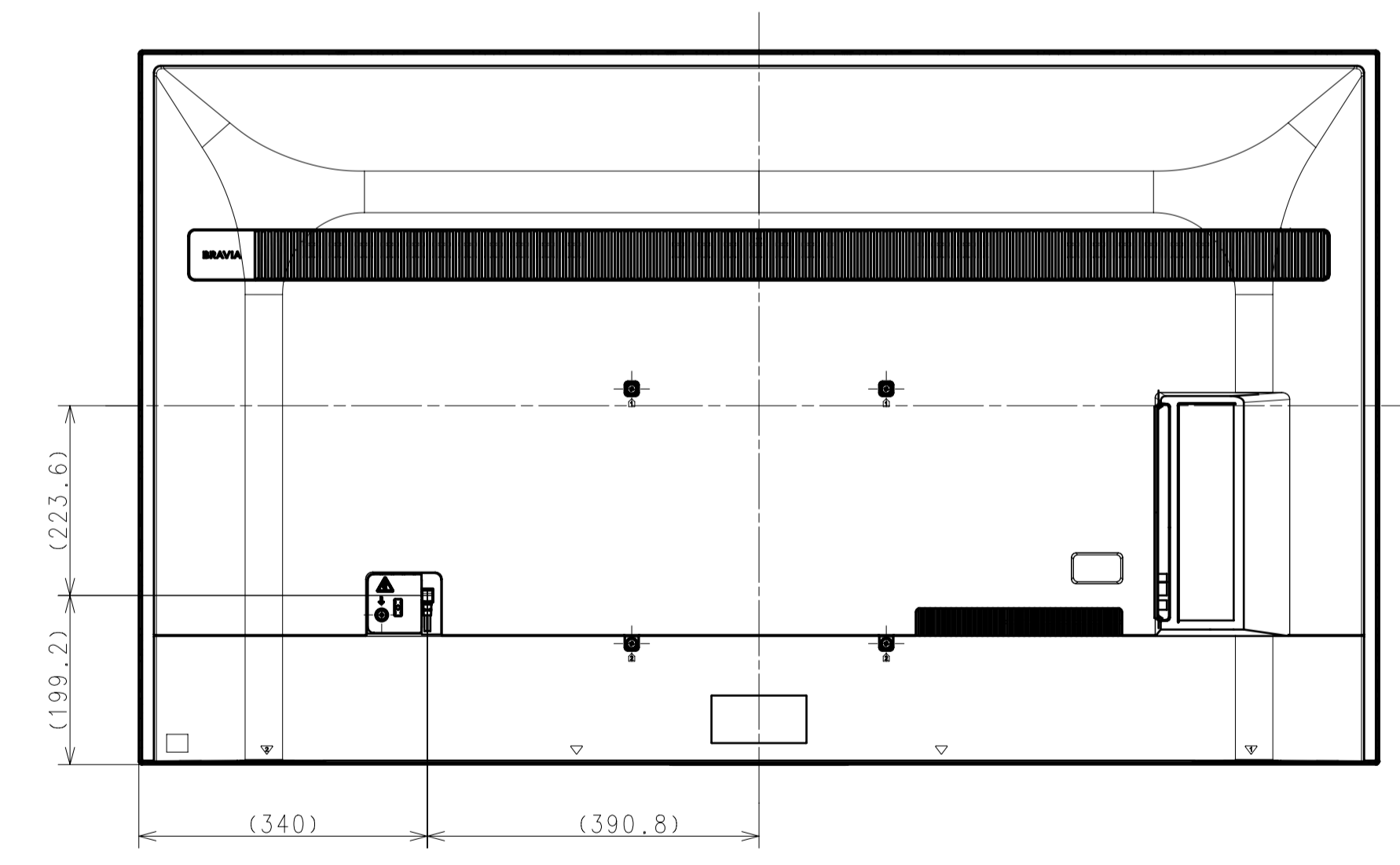
  

|                        |                             |                 |                         |
|------------------------|-----------------------------|-----------------|-------------------------|
| RESPONSIBLE DEPARTMENT | PLANE L & MECHANICAL DESIGN | ORIGINAL MODEL  | 65(BZ30L) EXTERIOR VIEW |
| PLANNED BY             | MURA M                      | TENTATIVE MODEL | 65(BZ30L) EXTERIOR VIEW |
| DESIGNED BY            | MURA M                      | SCALE           | 1:7                     |
| DRAWN BY               | MURA M                      | SIZE            | A1                      |
| DATE                   | 2023.01.10                  | UNIT            | mm                      |
| SHEET/PAGES            | 1/4                         | PAGE NO.        |                         |

WITHOUT STAND



For. NORTH AMERICA, GENERAL AREA, CHINA, EUROPE



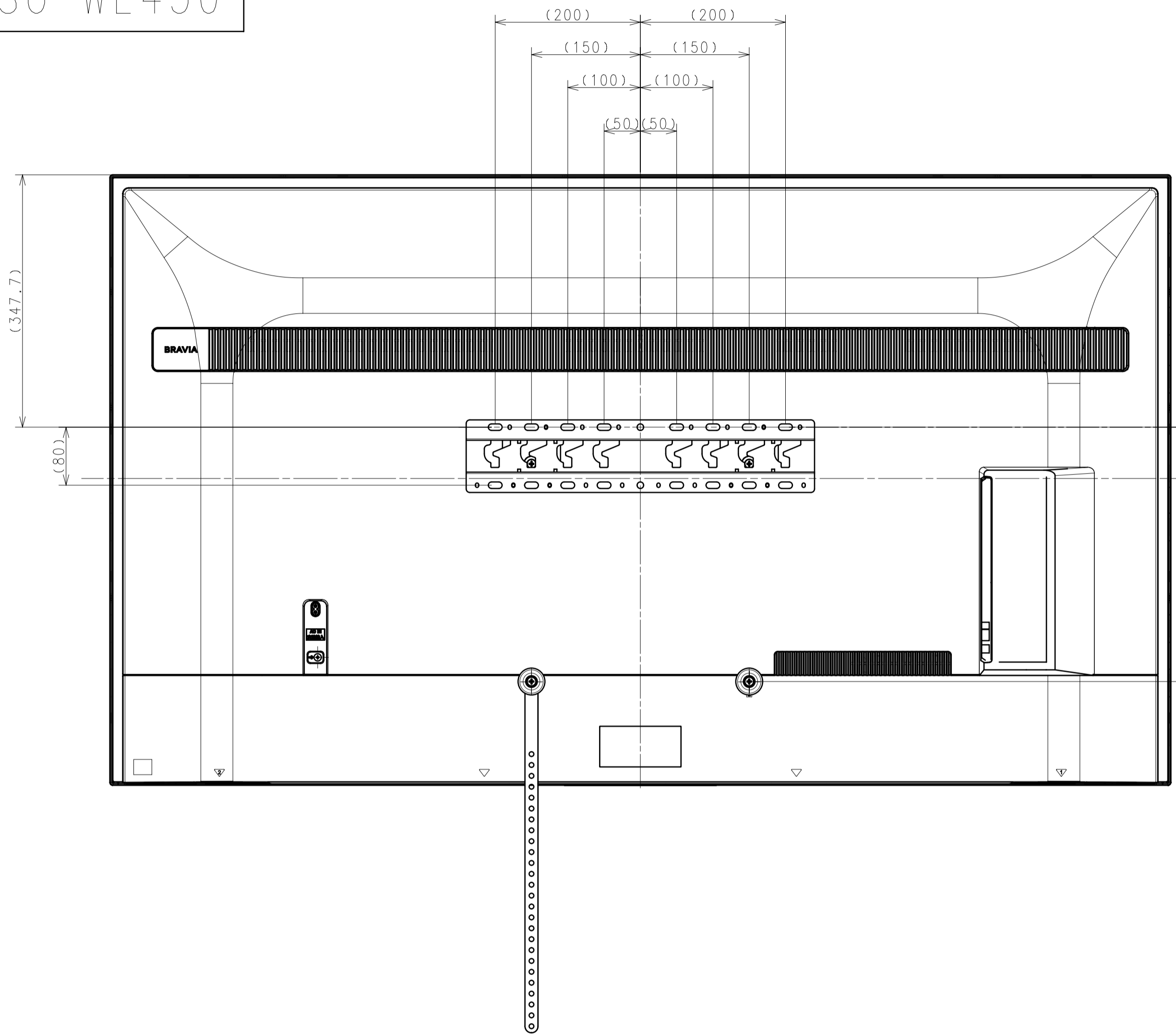
For. JAPAN

|   |                      |
|---|----------------------|
| DESCRIPTION1<br>65(BZ30L) EXTERIOR VIEW | SCALE<br>1:7         |
| DESCRIPTION2<br>65(BZ30L) EXTERIOR VIEW | SHEET/PAGES<br>2 / 4 |
| EQUAL VIEW<br>Sony Corporation          | PART NO.             |
| TENTATIVE PART NO.                      | PART NO.             |

SU-WL450

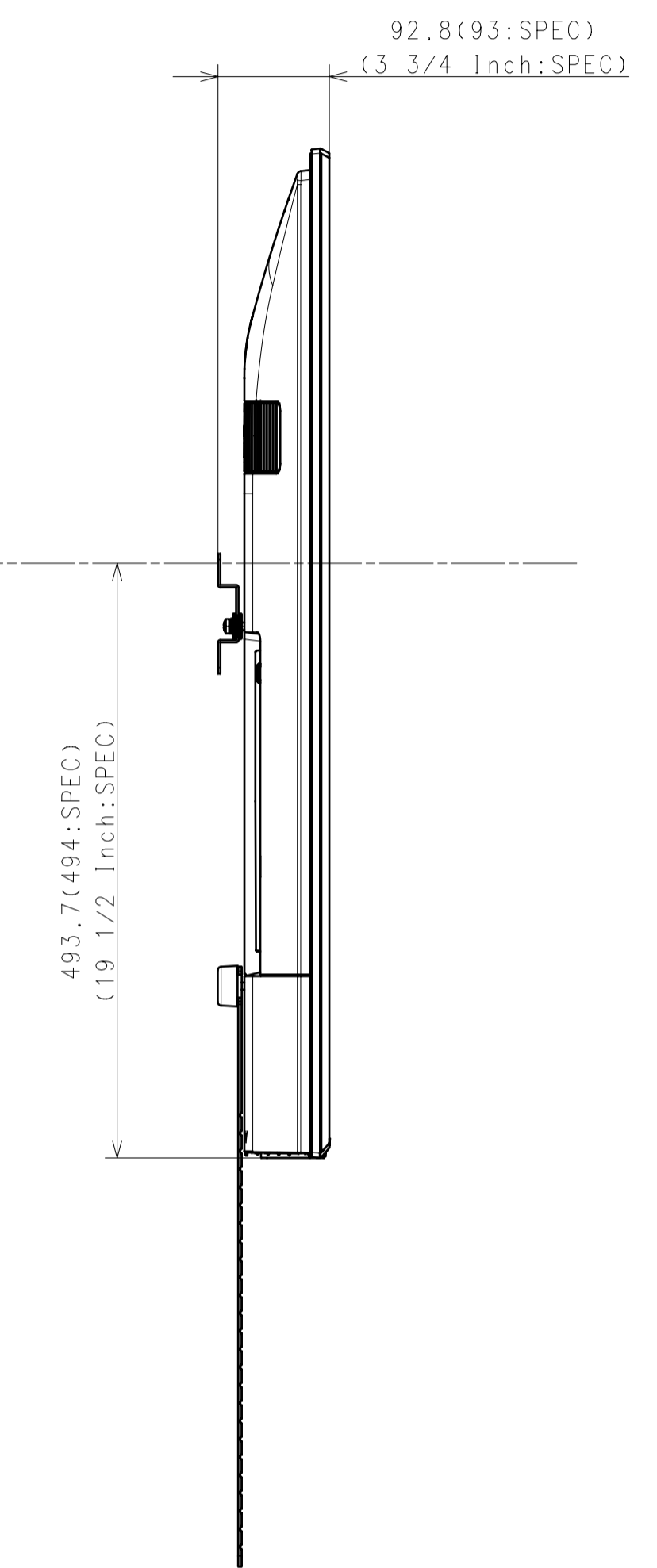
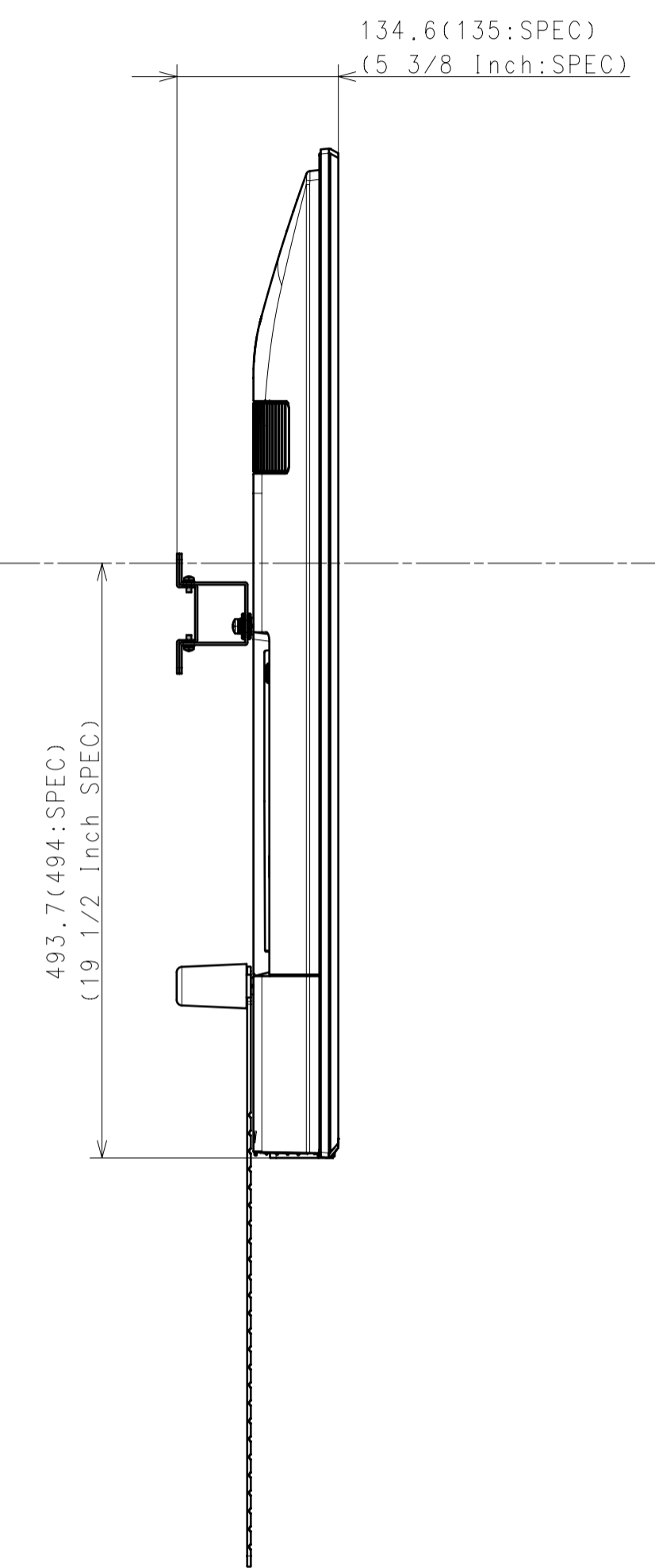
STANDARD

SLIM



70.7(71:SPEC)  
(2.778 Inch:SPEC)

350.5(351:SPEC)  
(13.778 Inch:SPEC)

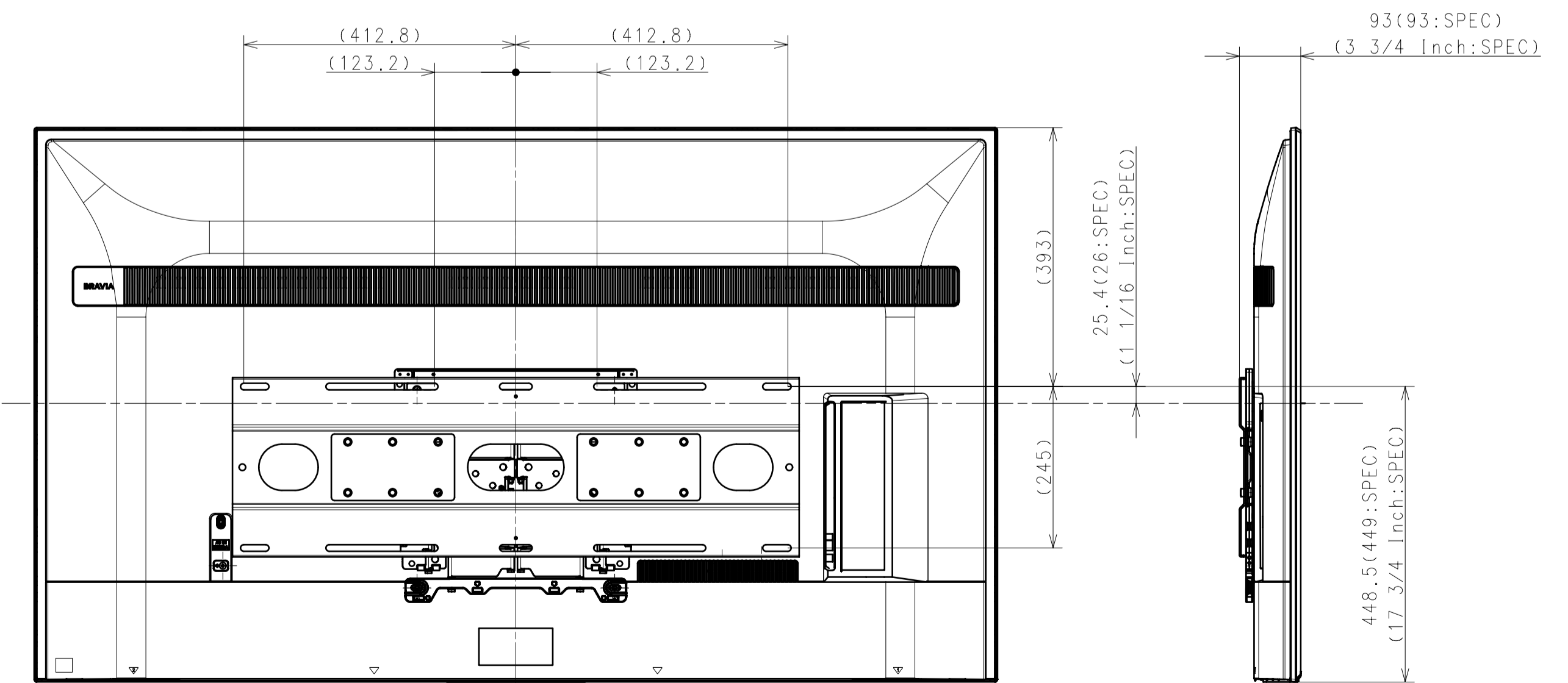
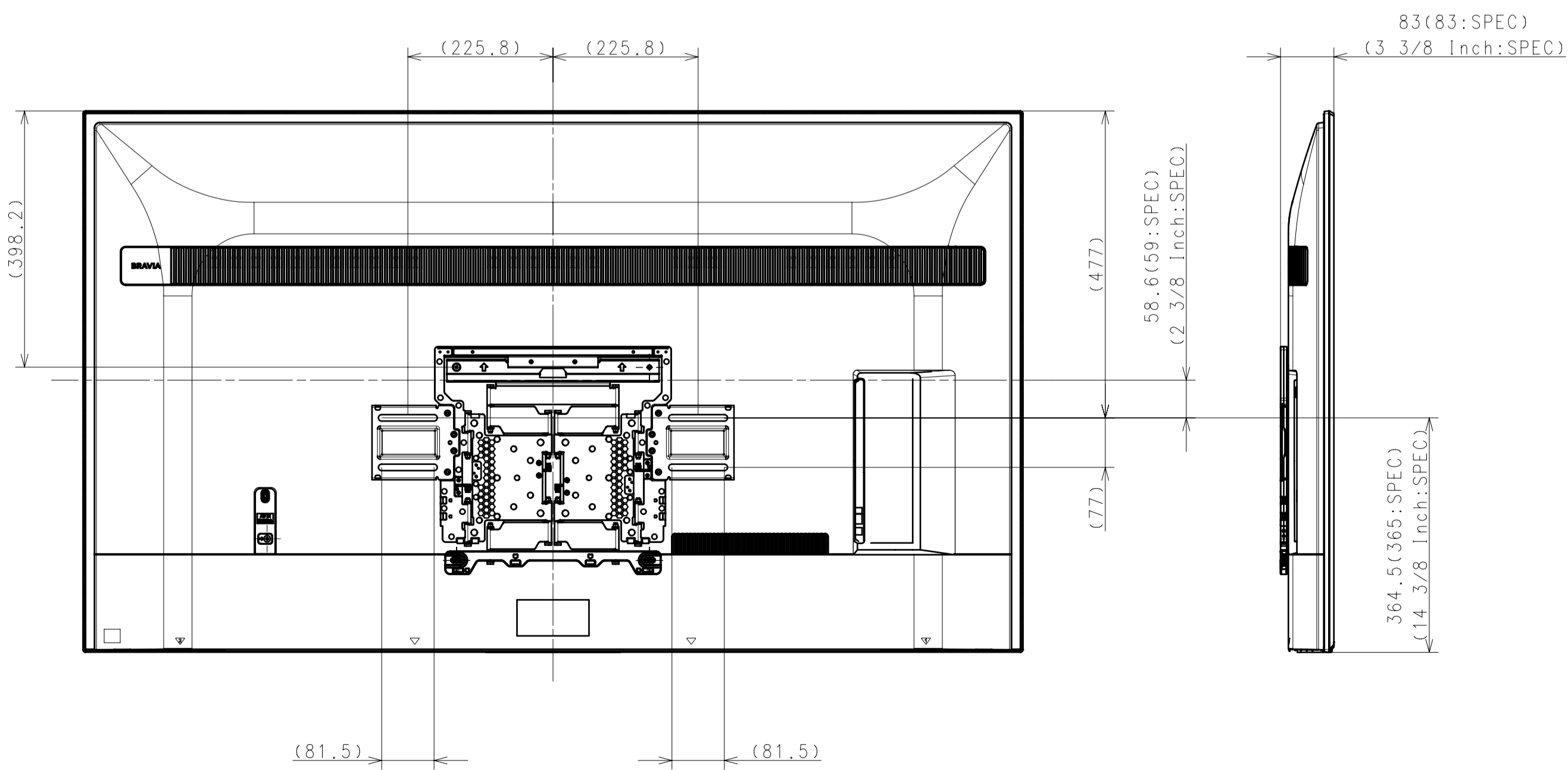
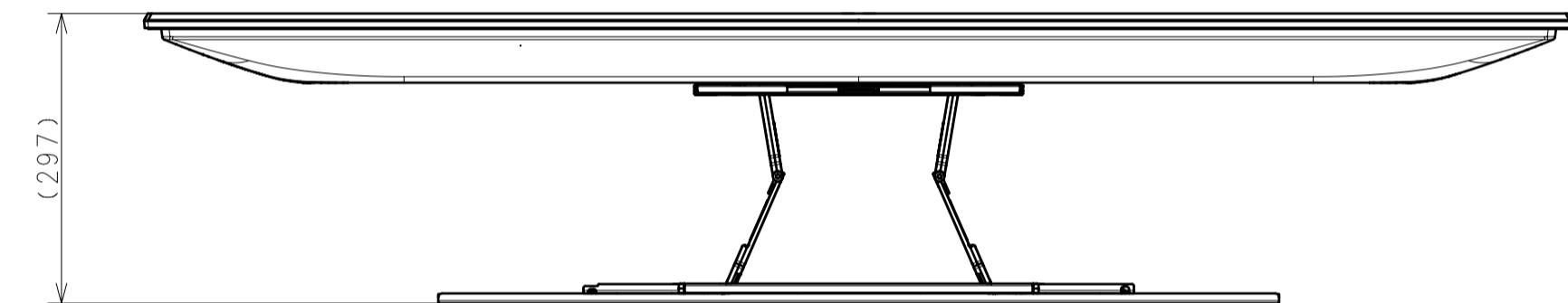
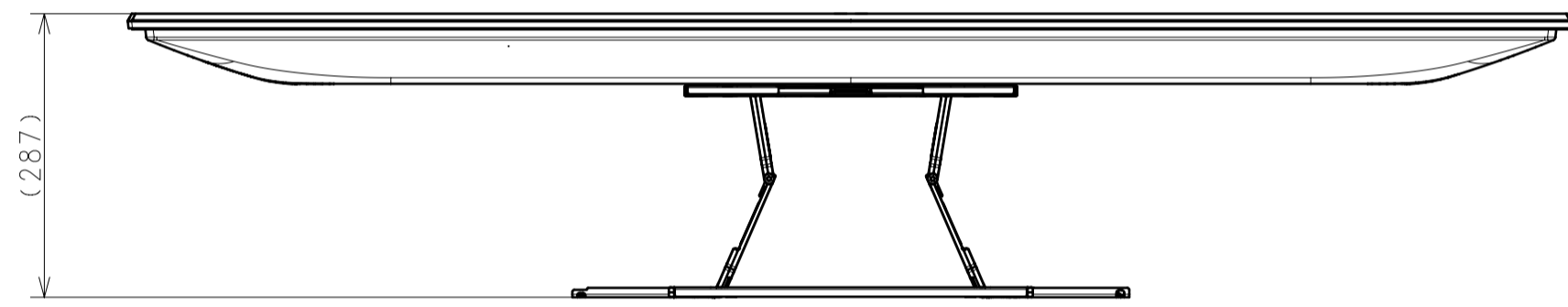
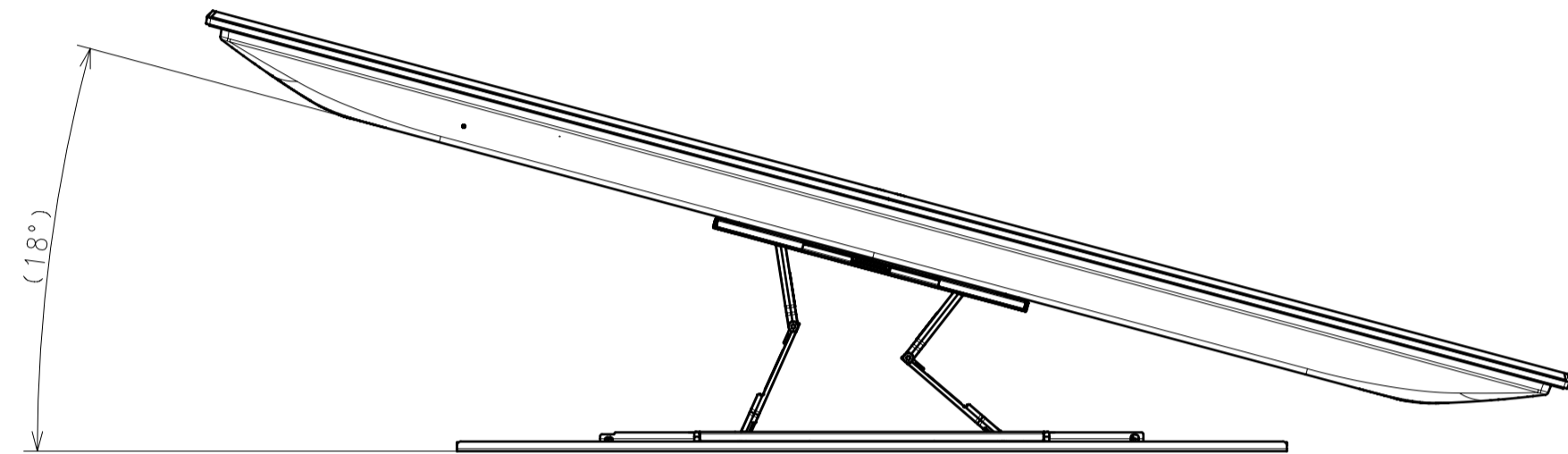
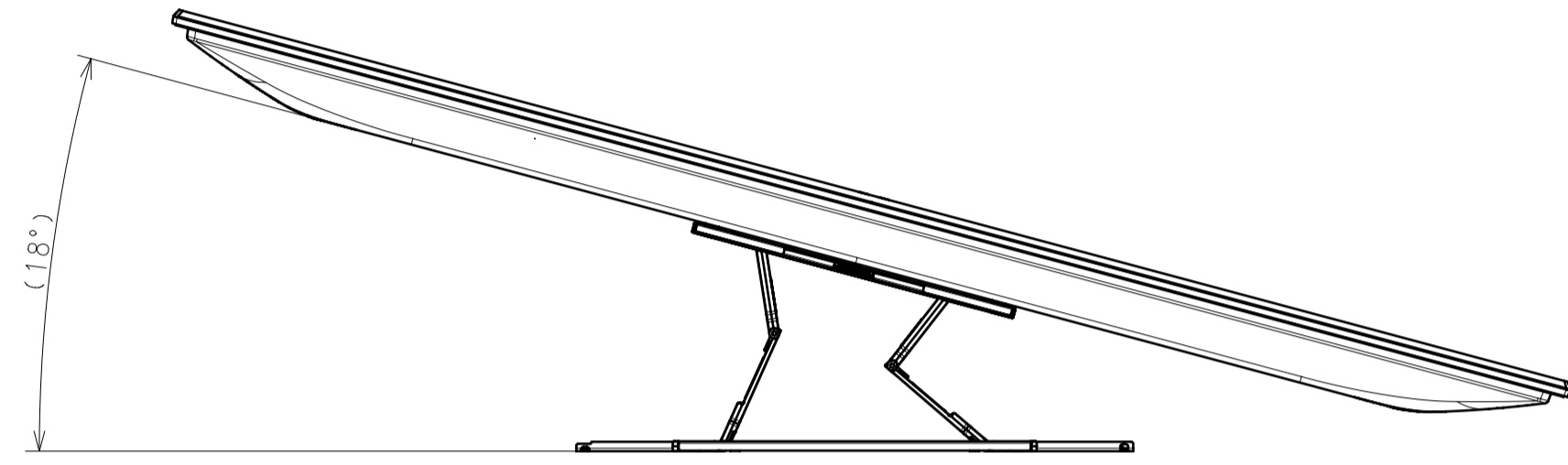
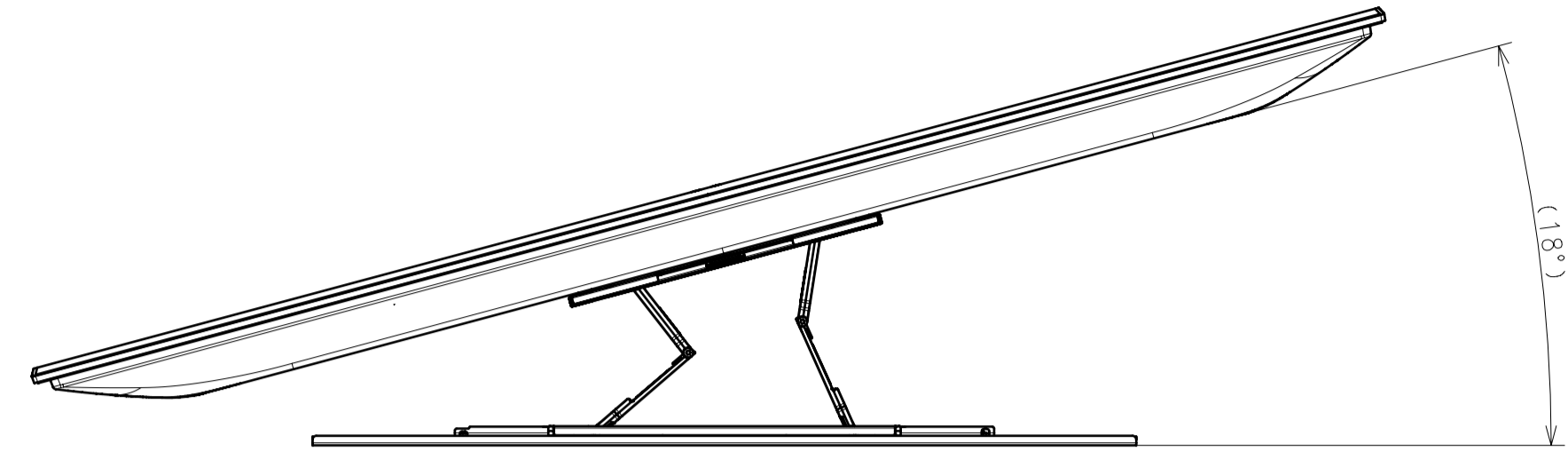
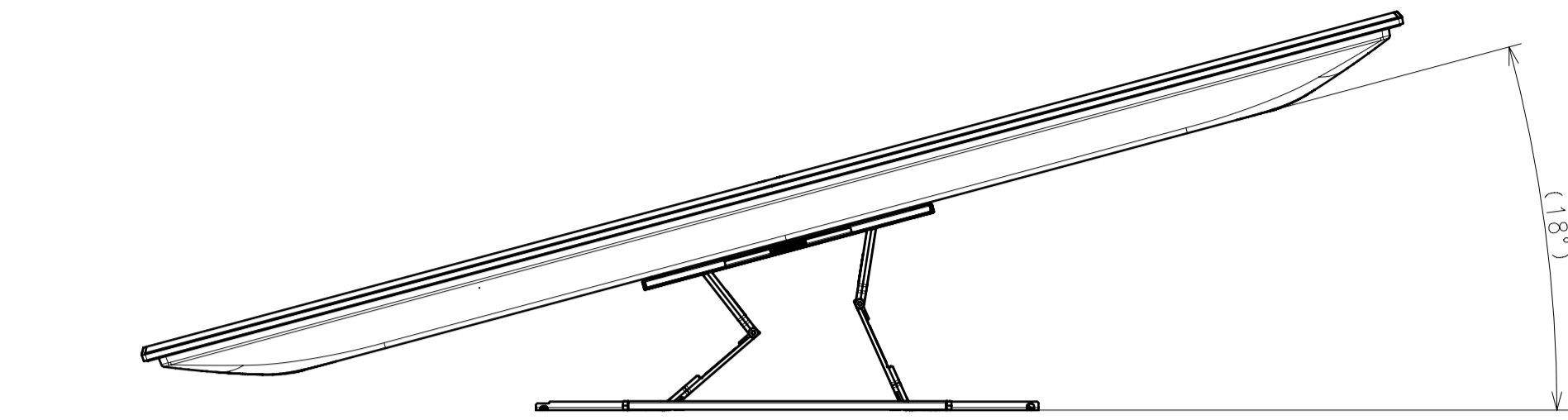


SONY STANDARD

|                         |                  |             |
|-------------------------|------------------|-------------|
| DESCRIPTION 1           | LEGAL OWNER      | SCALE       |
| 65(BZ30L) EXTERIOR VIEW | Sony Corporation | 1:5         |
| DESCRIPTION 2           | PART NO.         | SHEET/PAGES |
| 65(BZ30L) EXTERIOR VIEW |                  | 3/4         |

SU-WL 850

SU-WL 855 WITH LATERAL SHAFT BRACKET



|                         |                  |             |
|-------------------------|------------------|-------------|
| DESCRIPTION 1           | LEGAL OWNER      | SCALE       |
| 65(BZ30L) EXTERIOR VIEW | Sony Corporation | 1:7         |
| DESCRIPTION 2           | PART NO.         | SHEET/PAGES |
| 65(BZ30L) EXTERIOR VIEW |                  | 4 / 4       |