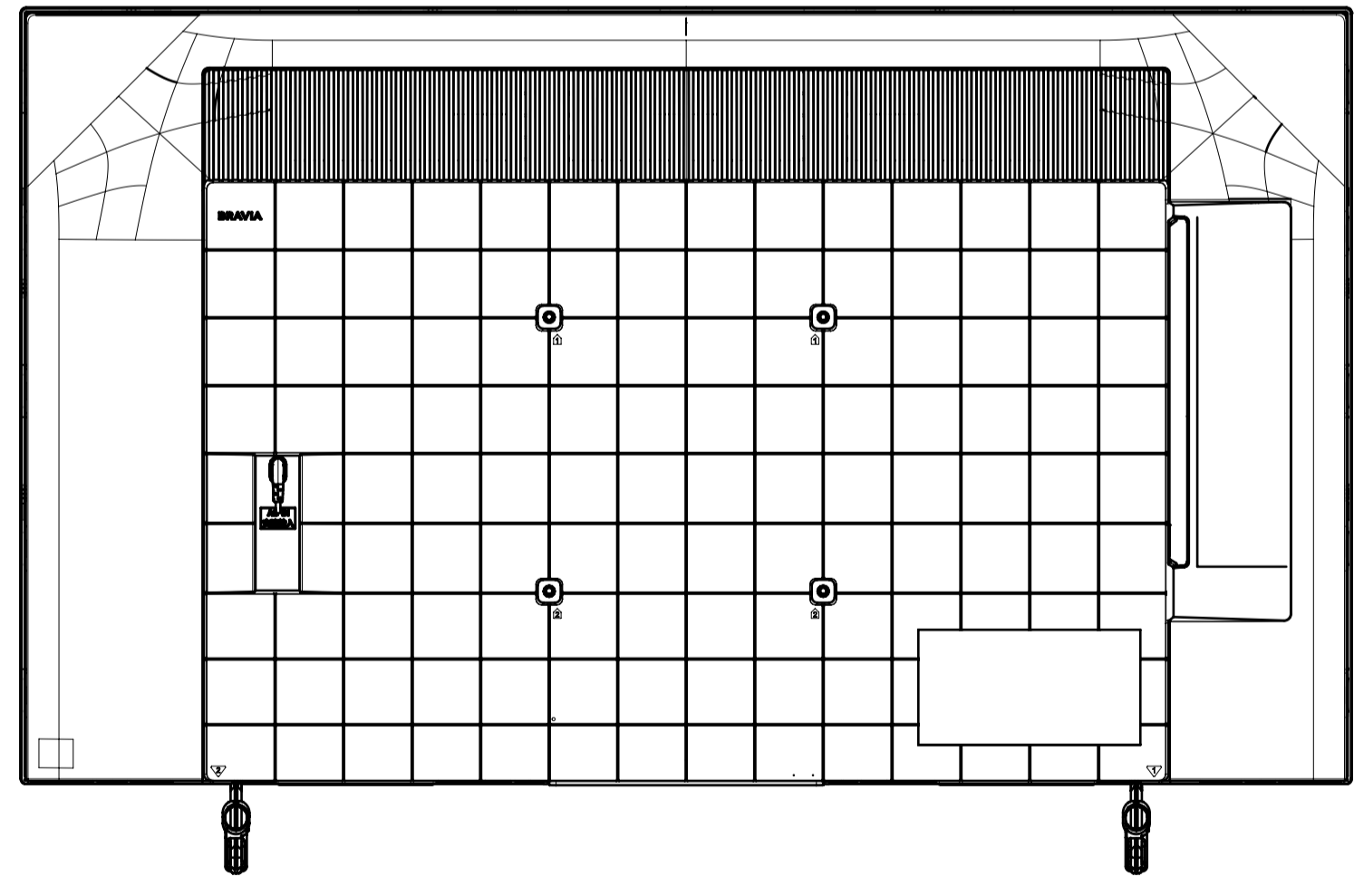
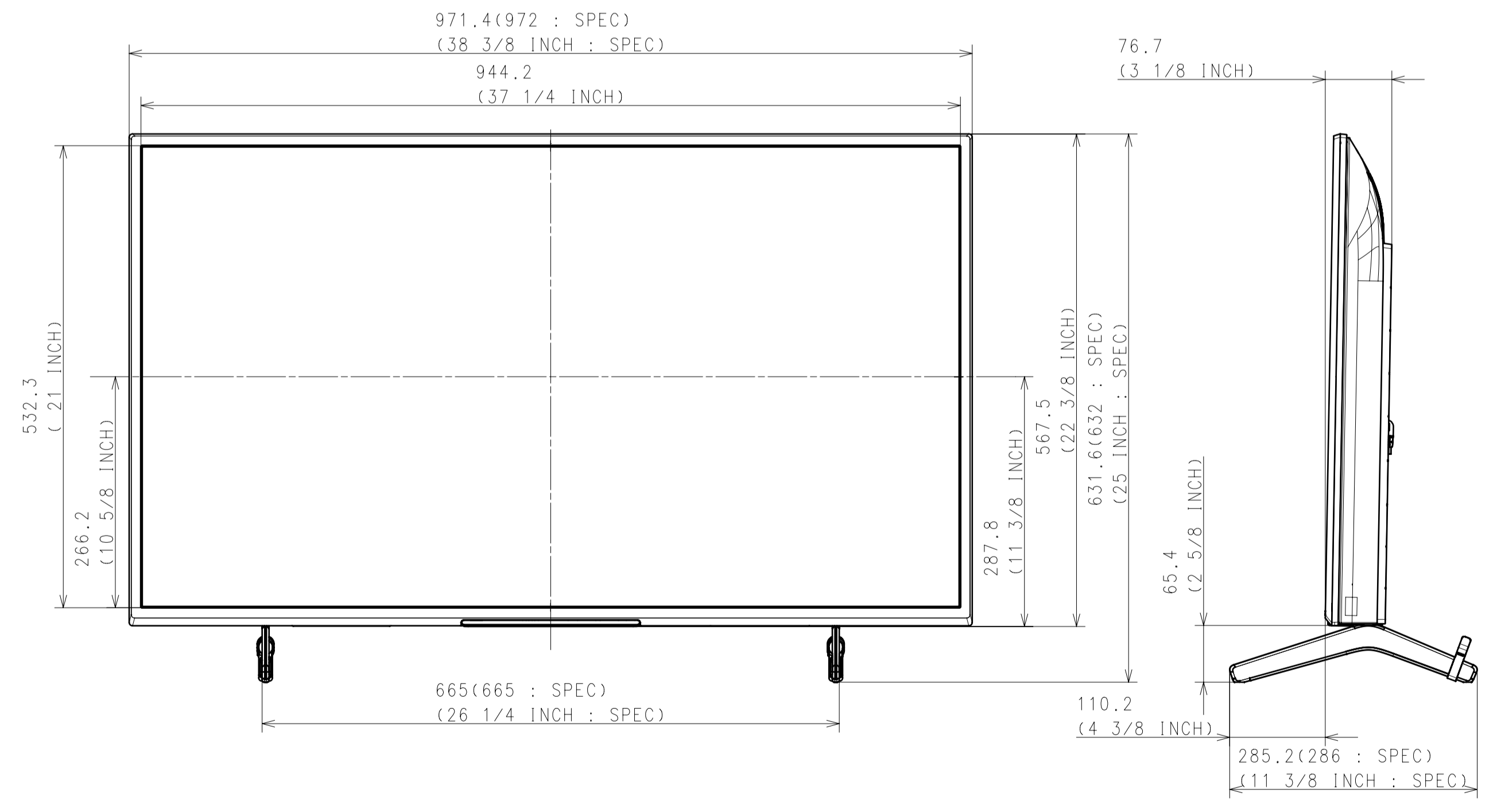
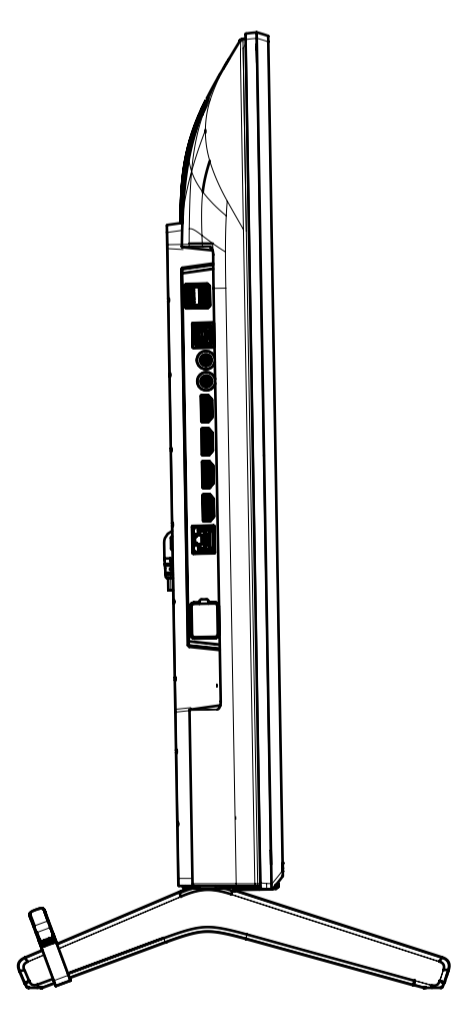
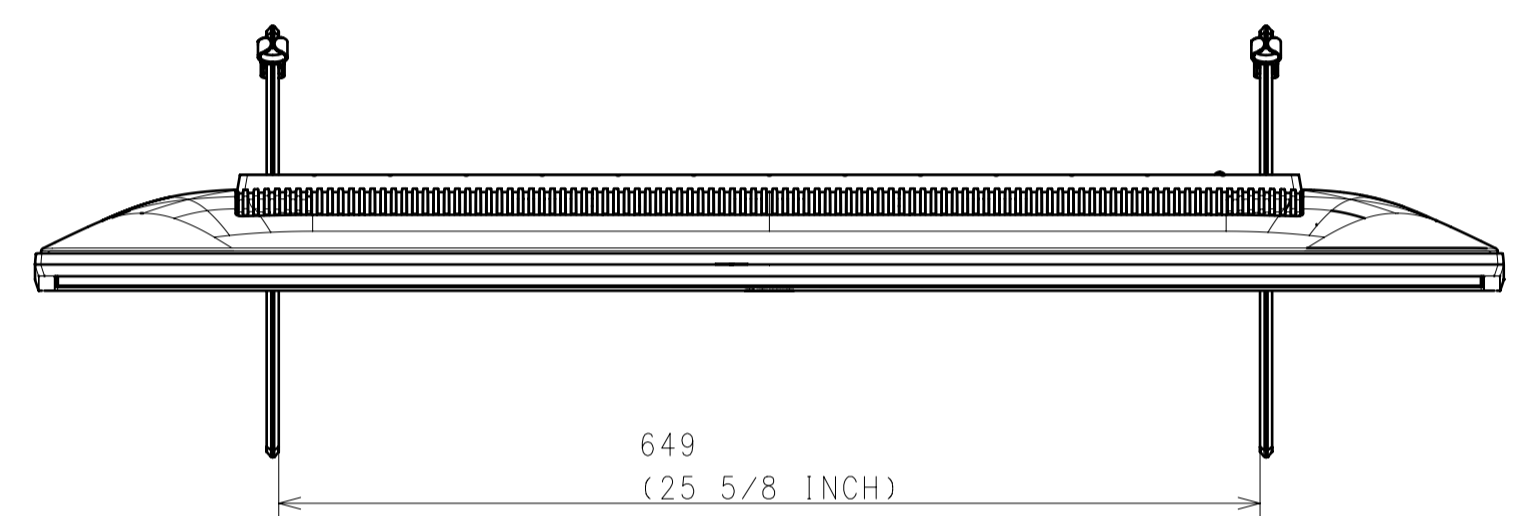


Area		JAPAN	NORTH AMERICA	EUROPE	GENERAL AREA	CHINA
Model Name		FW-43BZ30L	FW-43BZ30L	FW-43BZ30L	FW-43BZ30L	FW-43BZ30L
SV No.		SV-41556	SV-41406	SV-41492	SV-41491	SV-41514
DIMENSION	TV only (W x H x D)	97.2 x 56.7 x 7.0 cm	972 x 567 x 70 mm / 38 3/8 x 22 3/8 x 2 7/8 inch	Approx. 97.2 x 56.7 x 7.0 cm	Approx. 972 x 567 x 70 mm	Approx. 972 x 567 x 70 mm
	TV only with camera (W x H x D)	-	-	-	-	-
TV with Stand (Standard position) (W x H x D)	TV with Stand (Standard position) (W x H x D)	97.2 x 63.2 x 28.6 cm	972 x 632 x 286 mm / 38 3/8 x 25 x 11 3/8 inch	Approx. 97.2 x 63.2 x 28.6 cm	Approx. 972 x 632 x 286 mm	Approx. 972 x 632 x 286 mm
	TV with Stand (Narrow position) (W x H x D)	-	-	-	-	-
	TV with Stand (Soundbar position) (W x H x D)	-	-	-	-	-
	TV with Stand (Front position style) (W x H x D)	-	-	-	-	-
	TV with Stand (Back position style) (W x H x D)	-	-	-	-	-
	TV with Floor Stand (W x H x D)	-	-	-	-	-
	Stand Width (Standard position)	66.5 cm	665 mm / 26 1/4 inch	Approx. 66.5 cm	Approx. 665 mm	Approx. 665 mm
	Stand Width (Narrow position)	-	-	-	-	-
	Stand Width (Soundbar position)	-	-	-	-	-
	Stand Width (Front position style)	-	-	-	-	-
WEIGHT	VESA Hole Pitch	20.0 x 20.0 cm	200 x 200 mm / 7 7/8 x 7 7/8 inch	20.0 x 20.0 cm	200 x 200 mm	200 x 200 mm
	TV Only	10 kg	10 kg / 22.1 lb	Approx. 10 kg	Approx. 10 kg	Approx. 10 kg
Remarks	TV with Stand (Standard position)	10.5 kg	10.5 kg / 23.2 lb	Approx. 10.5 kg	Approx. 10.5 kg	Approx. 10.5 kg
	TV with Stand (Narrow position)	-	-	-	-	-
	TV with Stand (Soundbar position)	-	-	-	-	-
	TV with Stand (Front/Back position style)	-	-	-	-	-
	TV with Floor Stand	-	-	-	-	-
	Floor Stand weight (Supply)	-	-	-	-	-
W-M't Br. Weight (Supply)	-	-	-	-	-	
Remarks			Optional stand	Optional stand		

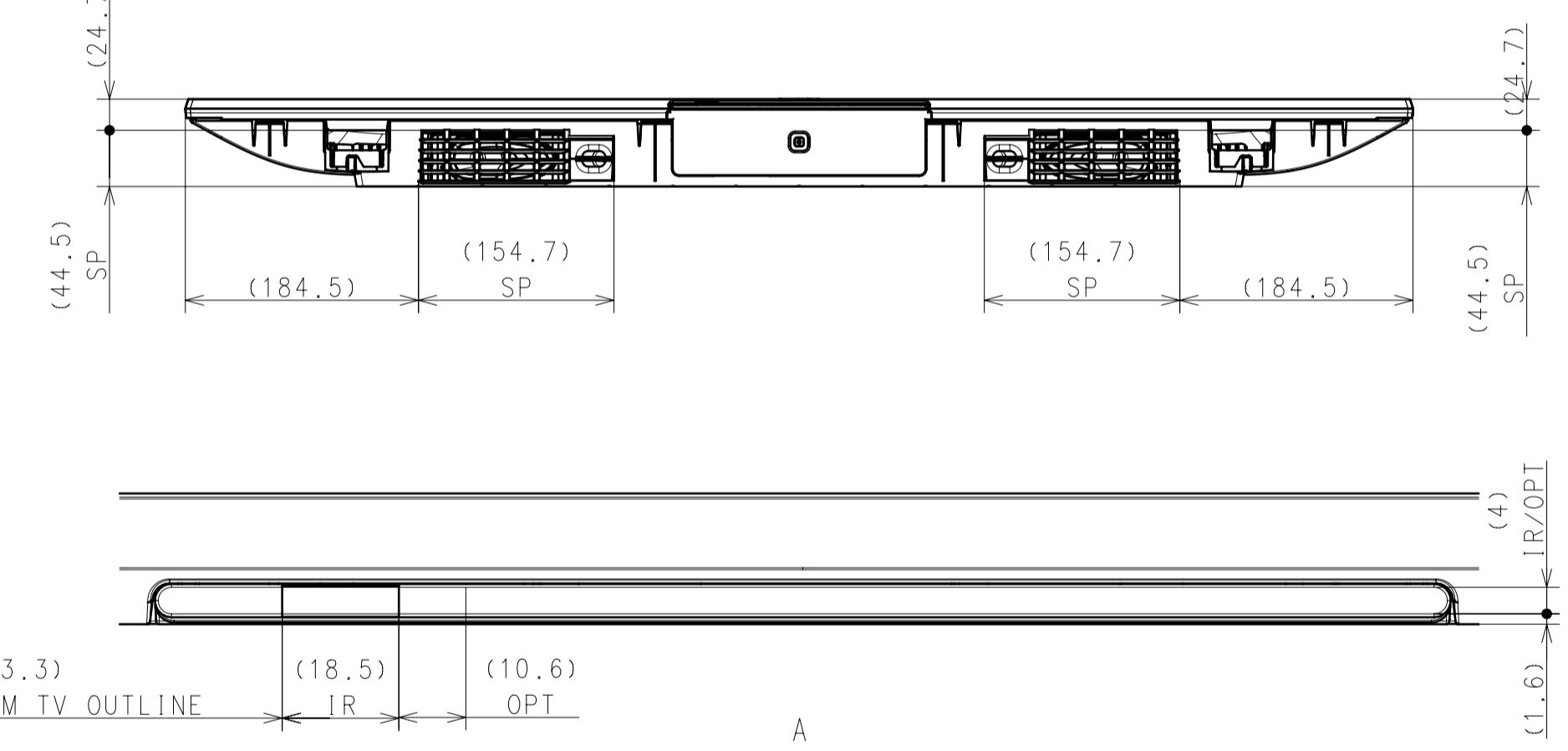
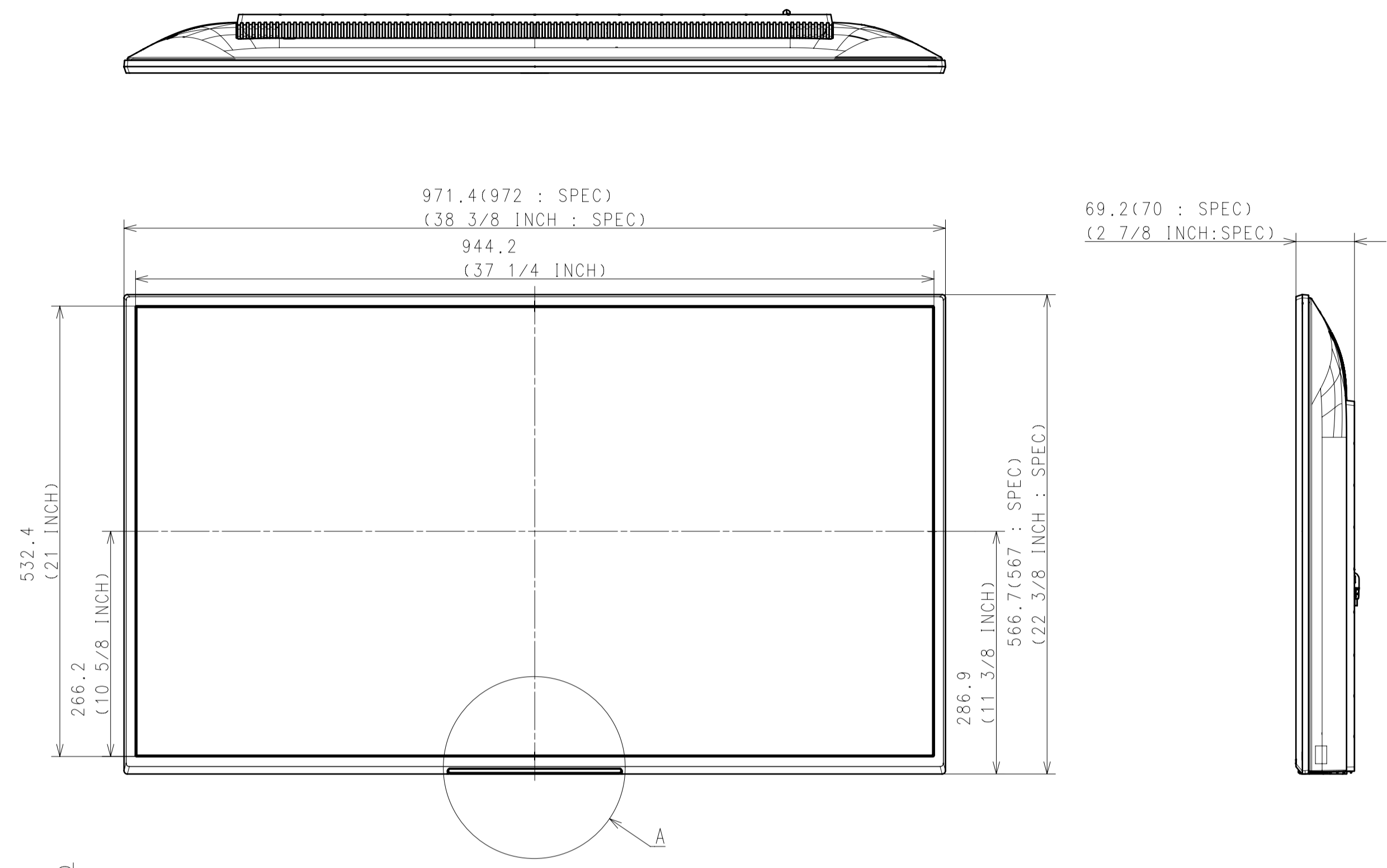
WITH STAND



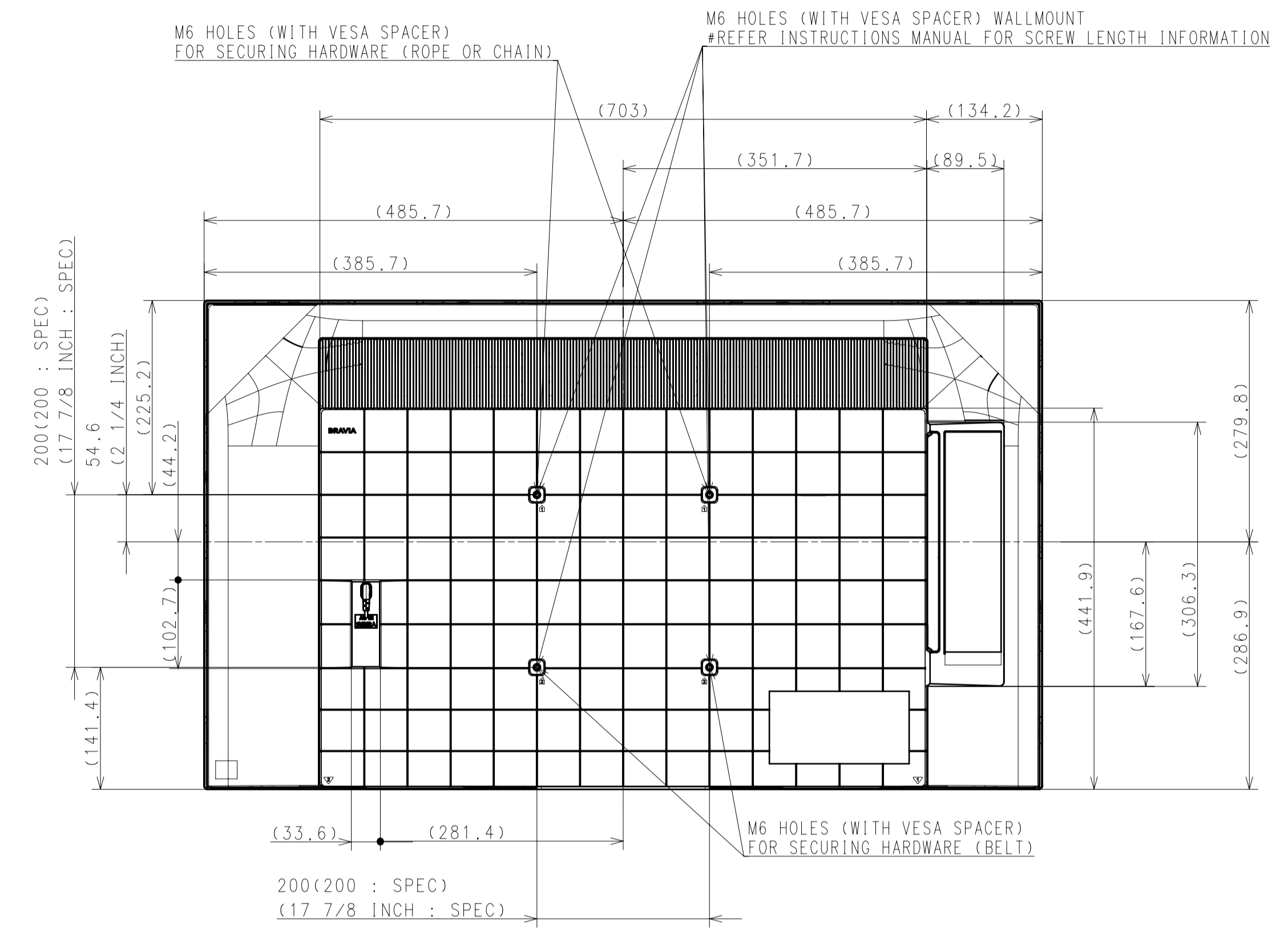
Purchase recycled resins and wire rods only from the business partners that Sony approves as Green Partners.
再生樹脂・銅線材はグリーンパートナー認定品から調達すること。

DATE OF ISSUE 2023.01.09	DOCUMENT TYPE ASSEMBLY DRAWING	GENERAL TOLERANCE	(JIS B 0013:2018)
REVISION	SIGN.	MATERIAL COLOR	FINISH COLOR
RESPONSIBLE DEPARTMENT Sony Corporation		ORIGINAL MODEL 43(BZ30L) EXTERIOR VIEW	DESCRIPTION 43(BZ30L) EXTERIOR VIEW
PLANNED BY	CHECKED BY	APPROVED BY	SCALE 1:5
DRAWN BY	SIZE A1	UNIT mm	SHEET/PAGES 1/3

WITHOUT STAND



A
1:1

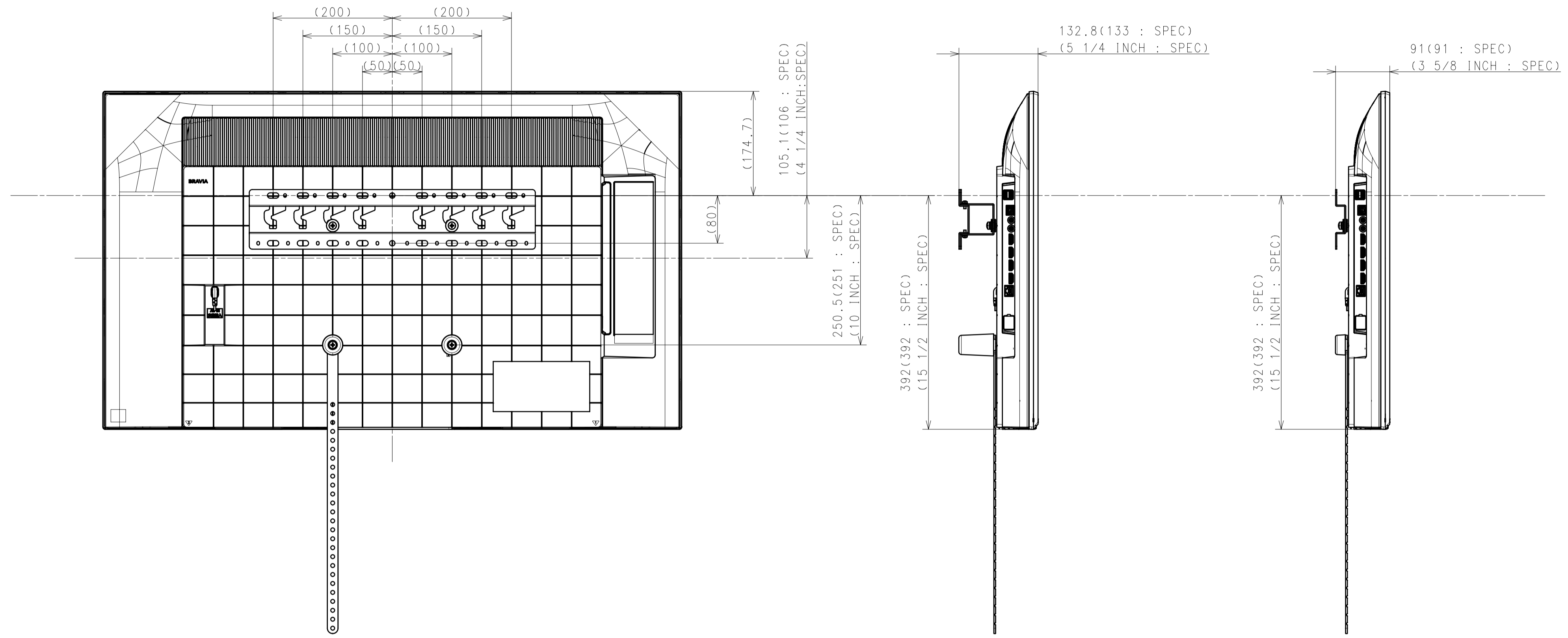


DESCRIPTION 43(BZ30L) EXTERIOR VIEW	LEGAL OWNER Sony Corporation	SCALE 1:5
DESCRIPTION 43(BZ30L) EXTERIOR VIEW	PART NO.	SHEET/PAGES 2 / 3

SU-WL450

STANDARD

SLIM



DRAWING

SONY STANDARD

DESCRIPTION 1	LEGAL OWNER	SCALE
43(BZ30L) EXTERIOR VIEW	Sony Corporation	1:5
DESCRIPTION 2	PART NO.	SHEET/PAGES
43(BZ30L) EXTERIOR VIEW		3 / 3